



US00D460730S

(12) **United States Design Patent**
Fitzgerald

(10) **Patent No.:** **US D460,730 S**

(45) **Date of Patent:** **** Jul. 23, 2002**

(54) **MOTOR VEHICLE WHEEL FRONT FACE**

(75) **Inventor:** **Kevin Fitzgerald, Long Beach, CA (US)**

(73) **Assignee:** **KMC Products, Inc., Riverside, CA (US)**

(**) **Term:** **14 Years**

(21) **Appl. No.:** **29/149,793**

(22) **Filed:** **Oct. 16, 2001**

(51) **LOC (7) Cl.** **12-16**

(52) **U.S. Cl.** **D12/209**

(58) **Field of Search** **D12/204-211;**
301/37.1, 64.1, 65

(56) **References Cited**

U.S. PATENT DOCUMENTS

- D433,375 S * 11/2000 Fitzgerald D12/209
- D438,158 S * 2/2001 Fitzgerald D12/209

- D438,159 S * 2/2001 Kaucher D12/209
- D445,390 S * 7/2001 Wartono D12/209
- D445,391 S * 7/2001 Chung D12/209
- D452,674 S * 1/2002 Wartono D12/209

* cited by examiner

Primary Examiner—Stacia Cadmus

(74) *Attorney, Agent, or Firm*—Dykema Gossett PLLC

(57) **CLAIM**

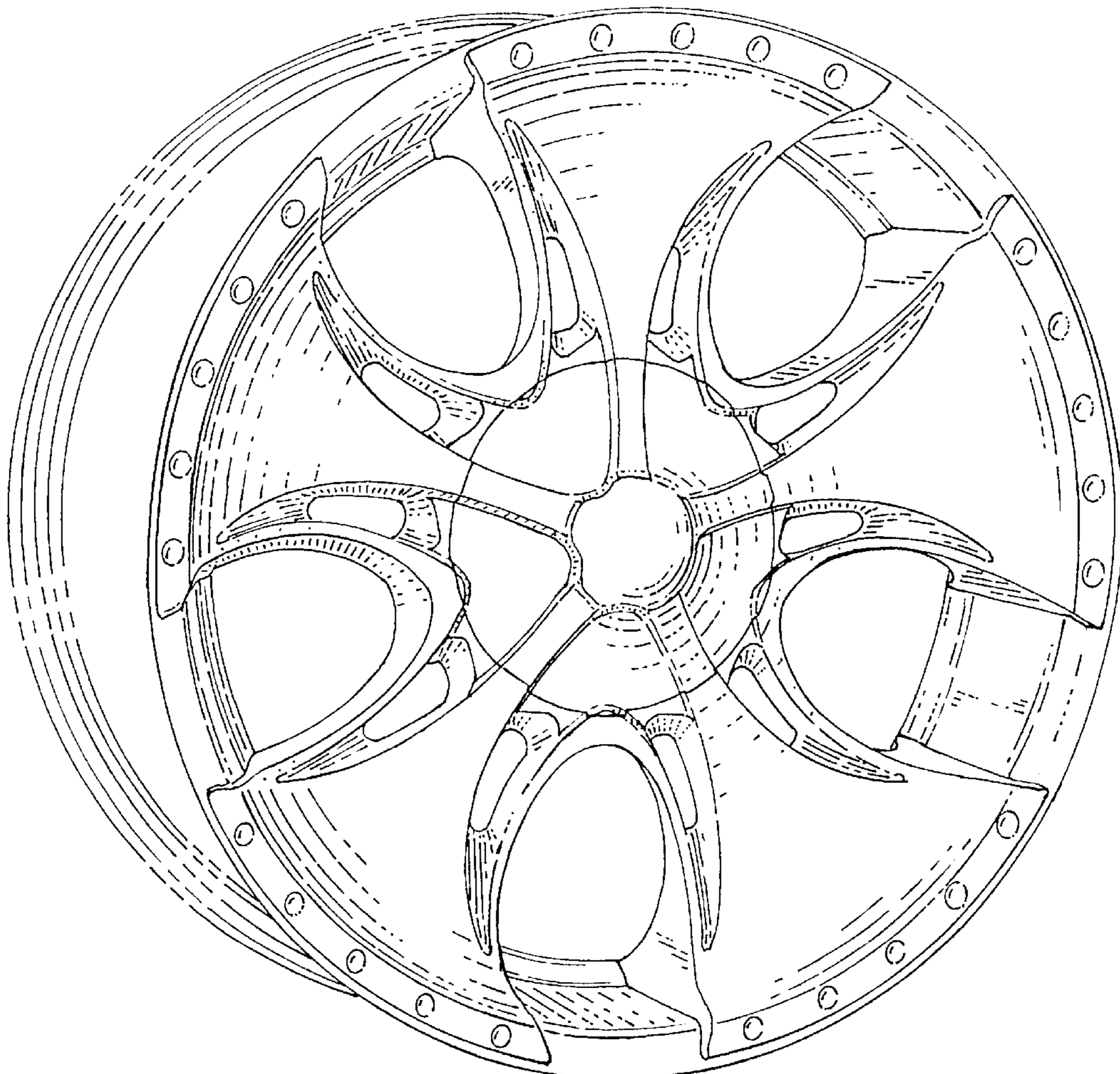
The ornamental design for a motor vehicle wheel front face, as shown and described.

DESCRIPTION

FIG. 1 is a front perspective view of a motor vehicle wheel front face showing my new design; and, FIG. 2 is a front elevational view of the wheel shown in FIG. 1.

The phantom line showing of environment is for illustrative purposes only and forms no part of the claimed design.

1 Claim, 2 Drawing Sheets



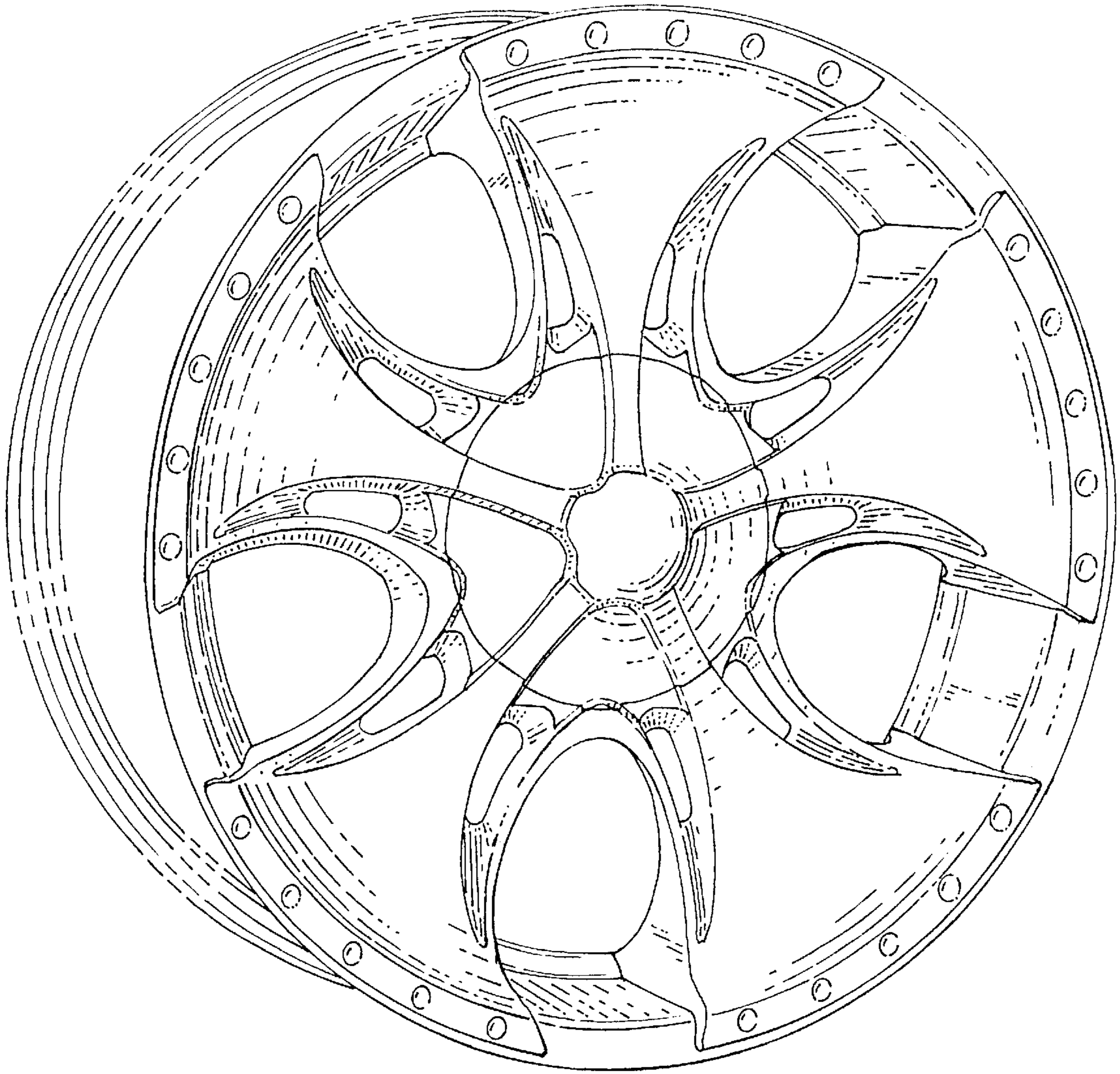


FIG. 1

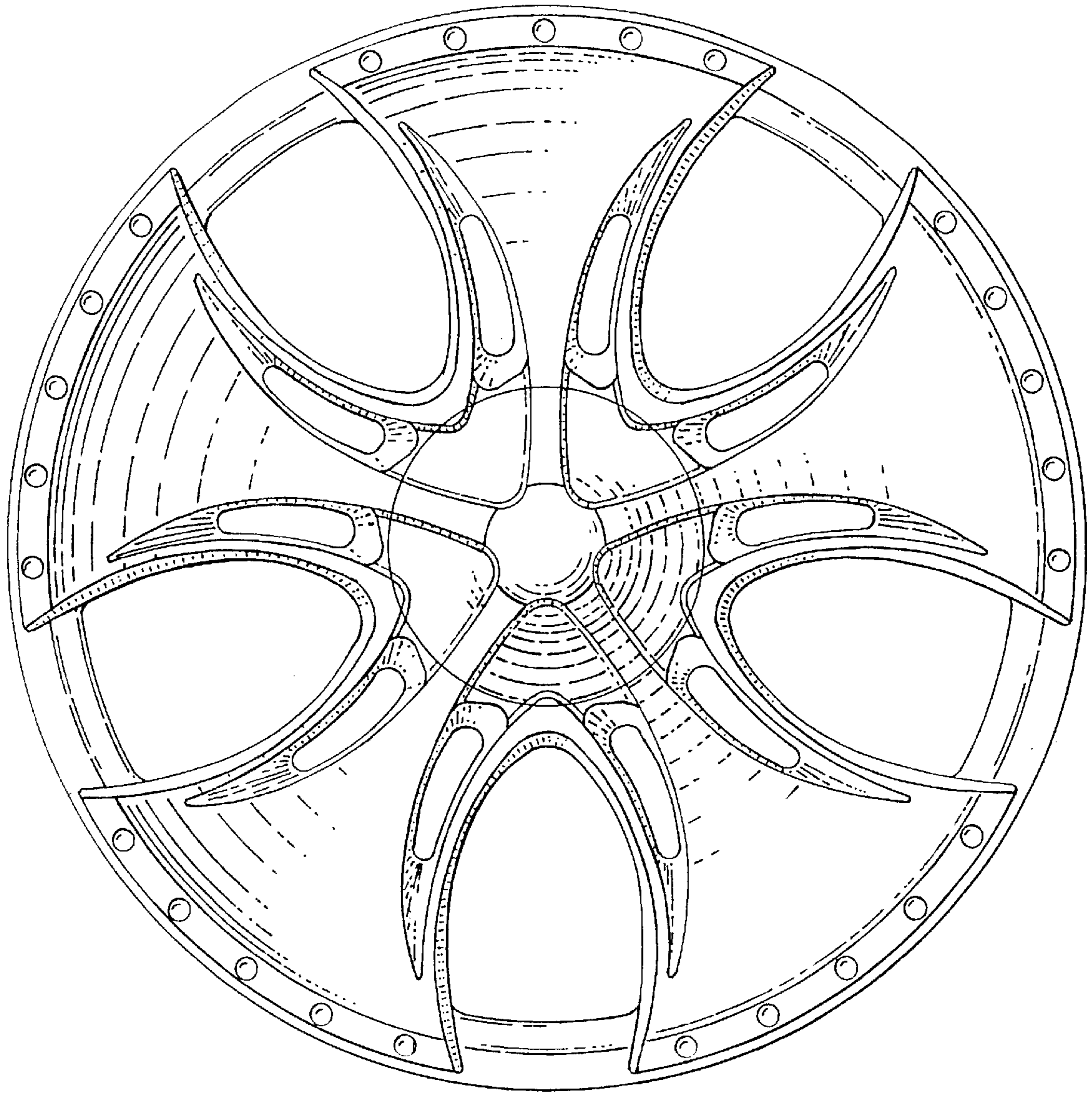


FIG. 2