



US00D460728S

(12) **United States Design Patent**  
**Clarke**

(10) **Patent No.:** **US D460,728 S**

(45) **Date of Patent:** **\*\* Jul. 23, 2002**

(54) **FRONT FACE OF A VEHICLE WHEEL**

(75) Inventor: **Mark D. Clarke**, Newport Beach, CA  
(US)

(73) Assignee: **Dr. Ing. h.c.F. Porsche AG**, Stuttgart  
(DE)

(\*\*) Term: **14 Years**

(21) Appl. No.: **29/138,171**

(22) Filed: **Mar. 6, 2001**

(30) **Foreign Application Priority Data**

Sep. 12, 2000 (DE) ..... 4 00 08 649

(51) **LOC (7) Cl.** ..... **12-16**

(52) **U.S. Cl.** ..... **D12/209**

(58) **Field of Search** ..... D12/204-211;  
301/37.1, 64.1, 65

(56) **References Cited**

**U.S. PATENT DOCUMENTS**

- D219,871 S \* 2/1971 Griffith ..... D12/209
- D367,030 S \* 2/1996 Bouldoukian ..... D12/209
- D368,884 S \* 4/1996 Cole ..... D12/209

- D383,722 S \* 9/1997 Sgalia et al. .... D12/209
- D403,649 S \* 1/1999 Moreno ..... D12/211
- D423,441 S \* 4/2000 Bildhaeser ..... D12/209
- D428,844 S \* 8/2000 Wang ..... D12/209
- D428,845 S \* 8/2000 Yoshida et al. .... D12/211
- D430,525 S \* 9/2000 Lampkin ..... D12/211
- D436,569 S \* 1/2001 Brown et al. .... D12/209
- D446,761 S \* 8/2001 Kulla ..... D12/209
- D452,840 S \* 1/2002 Hall ..... D12/211

\* cited by examiner

*Primary Examiner*—Stacia Cadmus

(74) *Attorney, Agent, or Firm*—Crowell & Moring LLP

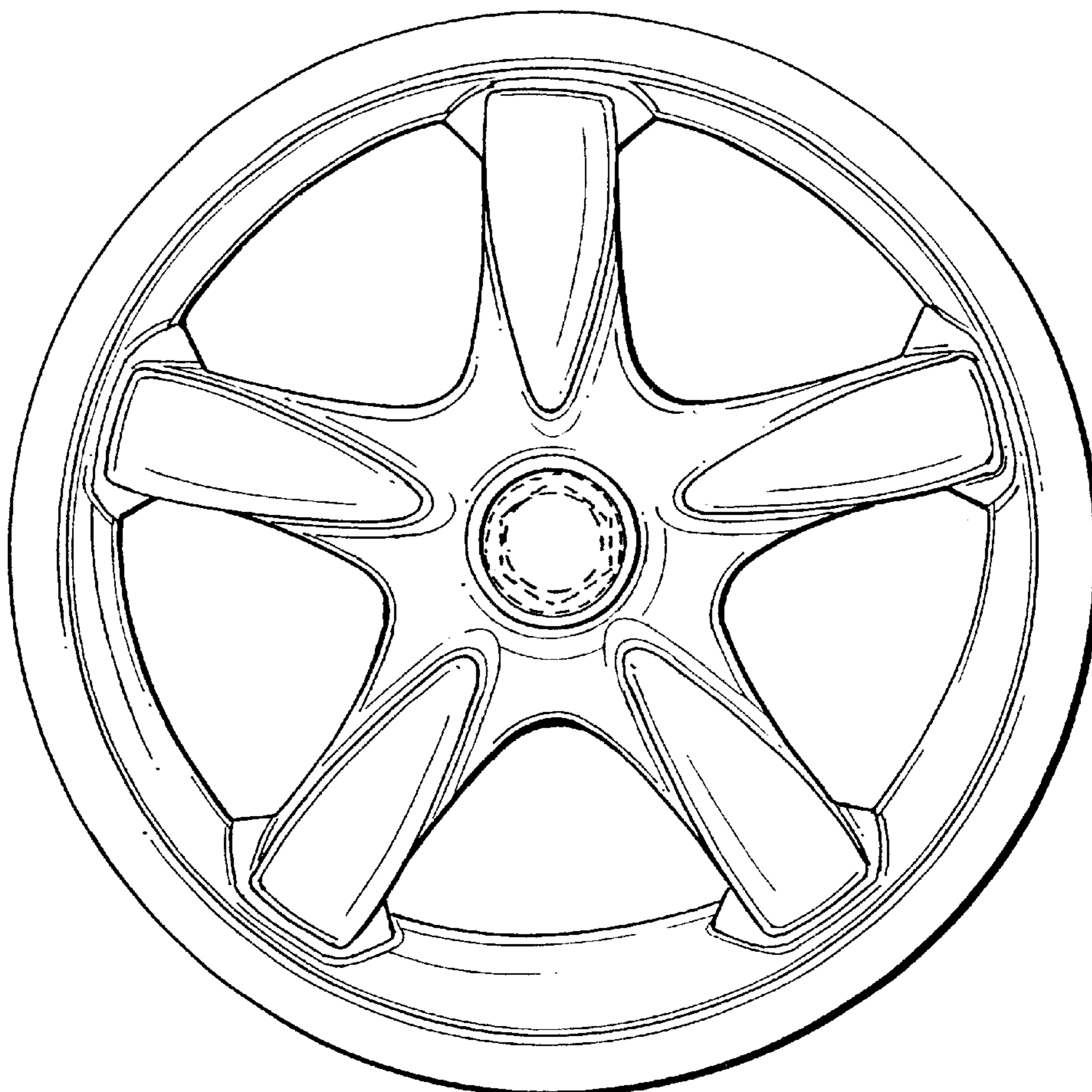
(57) **CLAIM**

The ornamental design for a front face of a vehicle wheel, as shown and described.

**DESCRIPTION**

FIG. 1 is a front view of a front face of a vehicle wheel according to my novel design; and, FIG. 2 is a perspective view of the front face of a vehicle wheel according to my novel design. The dash lines included depict environment and are not part of the claimed design.

**1 Claim, 1 Drawing Sheet**



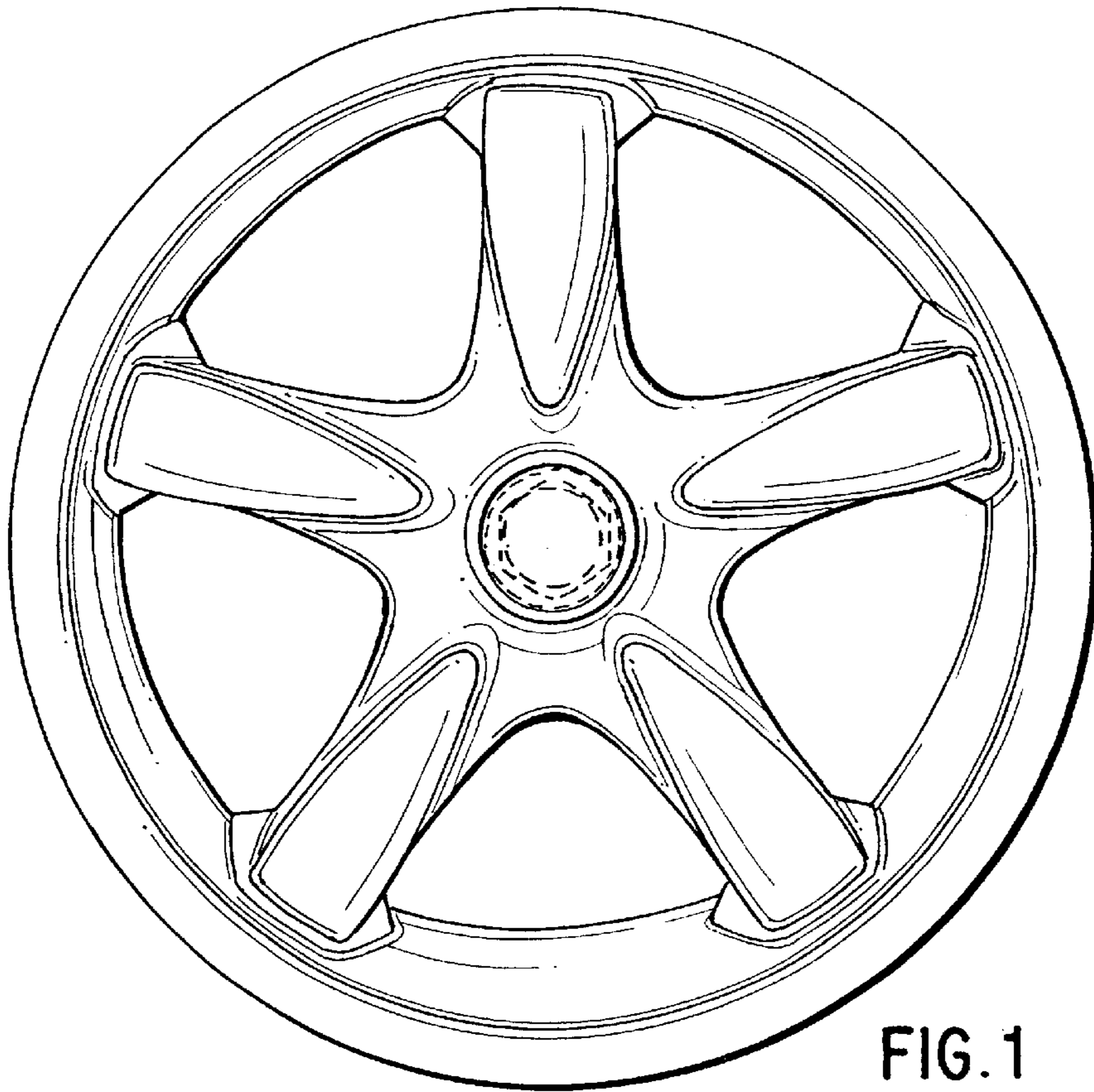


FIG. 1

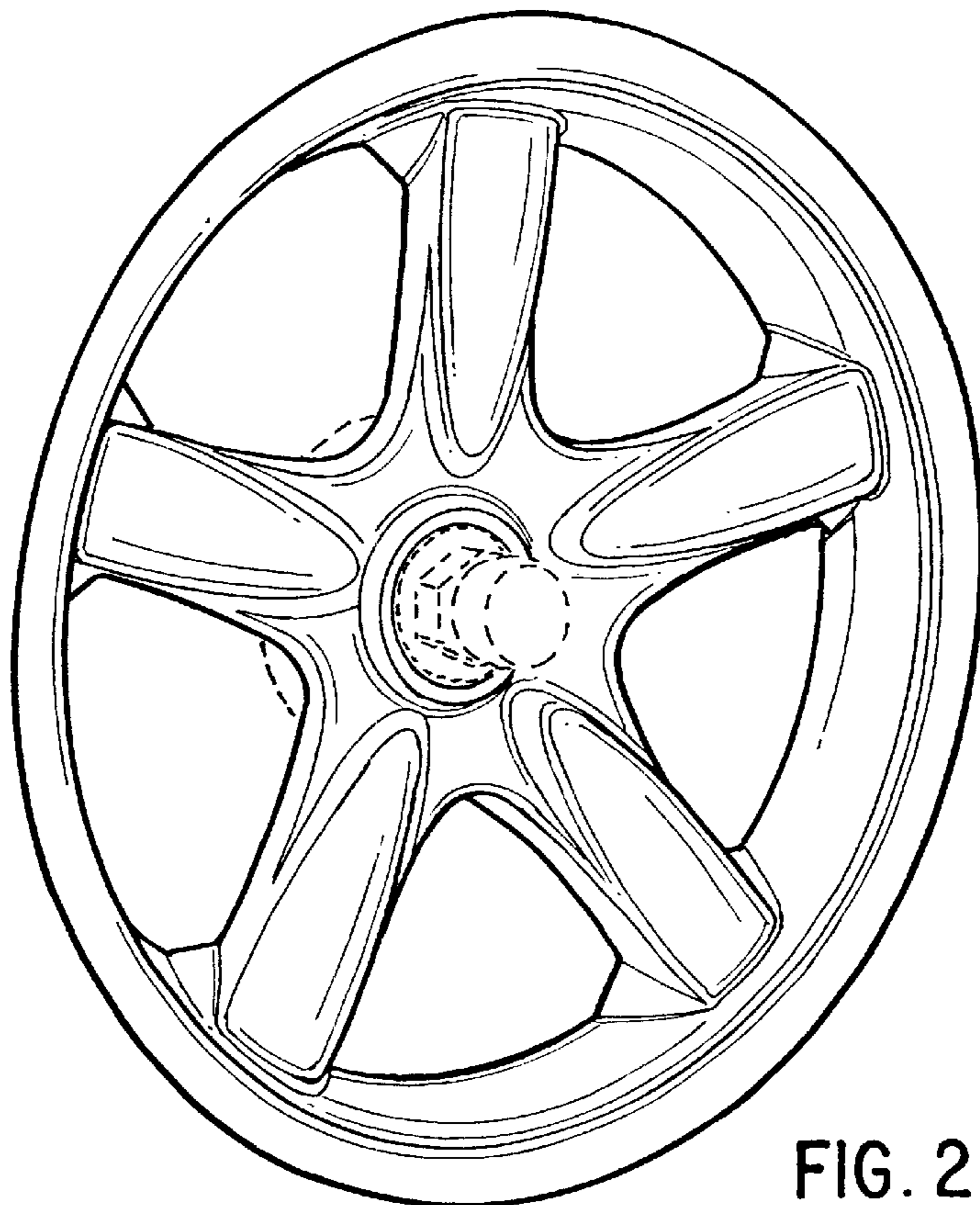


FIG. 2