



US00D460722S

(12) **United States Design Patent**
Bean et al.

(10) **Patent No.:** **US D460,722 S**

(45) **Date of Patent:** **** Jul. 23, 2002**

(54) **PORTION OF A TRICYCLE**

(76) Inventors: **Andrew John Bean**, 6304 Ridge Ave., Cincinnati, OH (US) 45213; **Craig Anthony Armstrong**, 12100 Regency Run, Cincinnati, OH (US) 45240; **Hans D. Ohren**, 2975 Prairie Stream Way, Columbus, IN (US) 47203; **William H. Ropp**, 1230 Pintail Ct., Columbus, IN (US) 47201

(**) Term: **14 Years**

(21) Appl. No.: **29/144,645**

(22) Filed: **Jul. 6, 2001**

(51) **LOC (7) Cl.** **12-11**

(52) **U.S. Cl.** **D12/112**

(58) **Field of Search** D12/112, 113;
280/259, 282, 288.2, 288.3, 281.1, 274;
74/594.1-594.3

(56) **References Cited**

U.S. PATENT DOCUMENTS

D191,753 S	*	11/1961	Krokos	D12/112
4,546,991 A		10/1985	Allen et al.		
4,657,270 A		4/1987	Allen et al.		
5,415,423 A		5/1995	Allsop et al.		
5,451,071 A		9/1995	Pong et al.		

5,553,878 A 9/1996 Davignon et al.

5,556,116 A 9/1996 Sloss et al.

5,791,673 A 8/1998 Patterson

5,913,529 A 6/1999 Patterson

* cited by examiner

Primary Examiner—Alan P. Douglas

Assistant Examiner—Linda Brooks

(74) *Attorney, Agent, or Firm*—Barnes & Thornburg

(57) **CLAIM**

The ornamental design for a portion of a tricycle, as shown and described.

DESCRIPTION

FIG. 1 is a right-side elevational view of a portion of a tricycle in accordance with our design with a tricycle which forms the environment of the portion of a tricycle and forms no part of the claimed design, the tricycle or portions thereof being shown in broken lines for illustrative purposes only, with the left-side elevational view being a mirror image thereof;

FIG. 2 is a top view thereof;

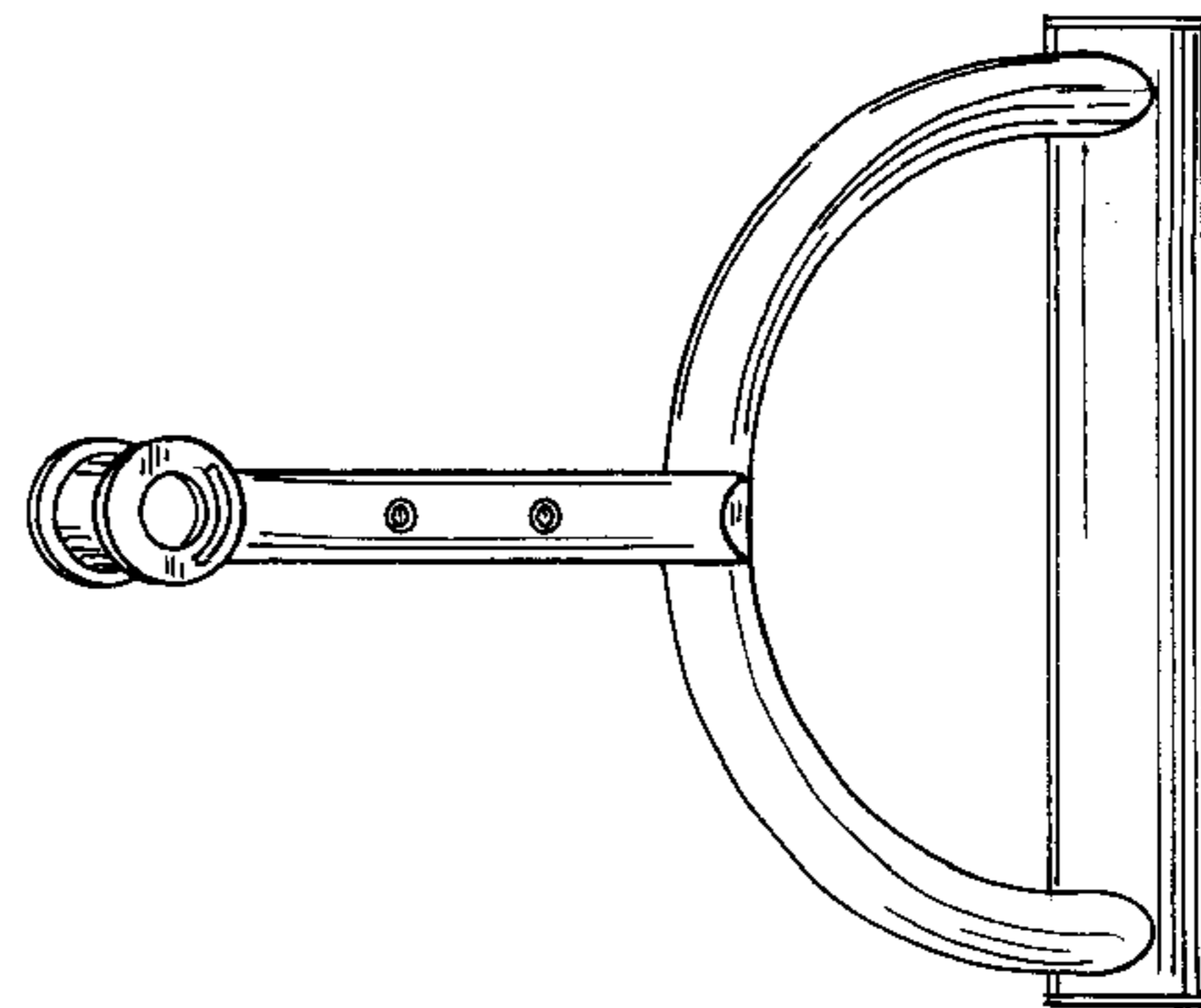
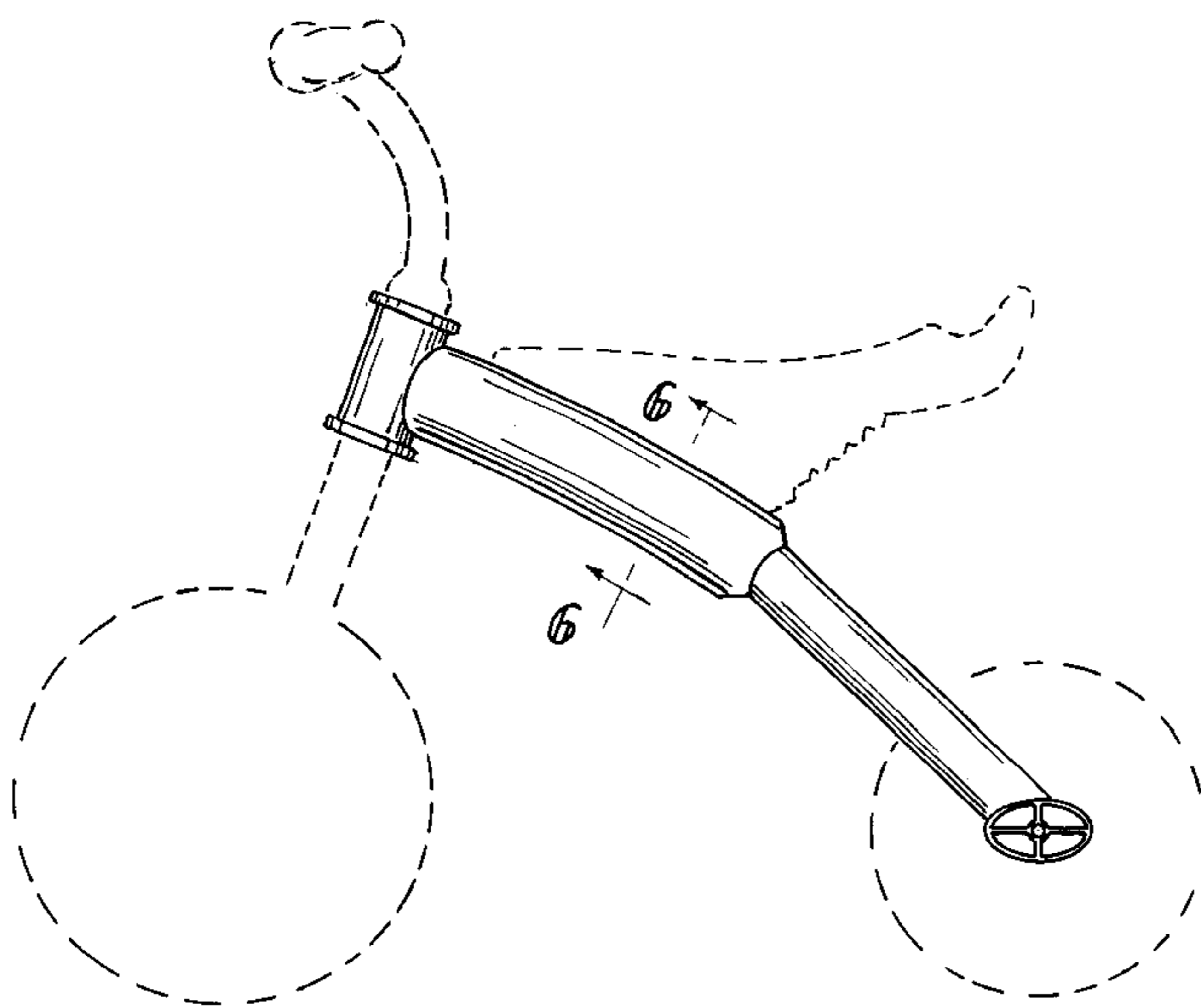
FIG. 3 is a bottom view thereof;

FIG. 4 is a rear view thereof;

FIG. 5 is a front view thereof; and,

FIG. 6 is an enlarged sectional view thereof taken along lines 6—6 of FIG. 1.

1 Claim, 2 Drawing Sheets



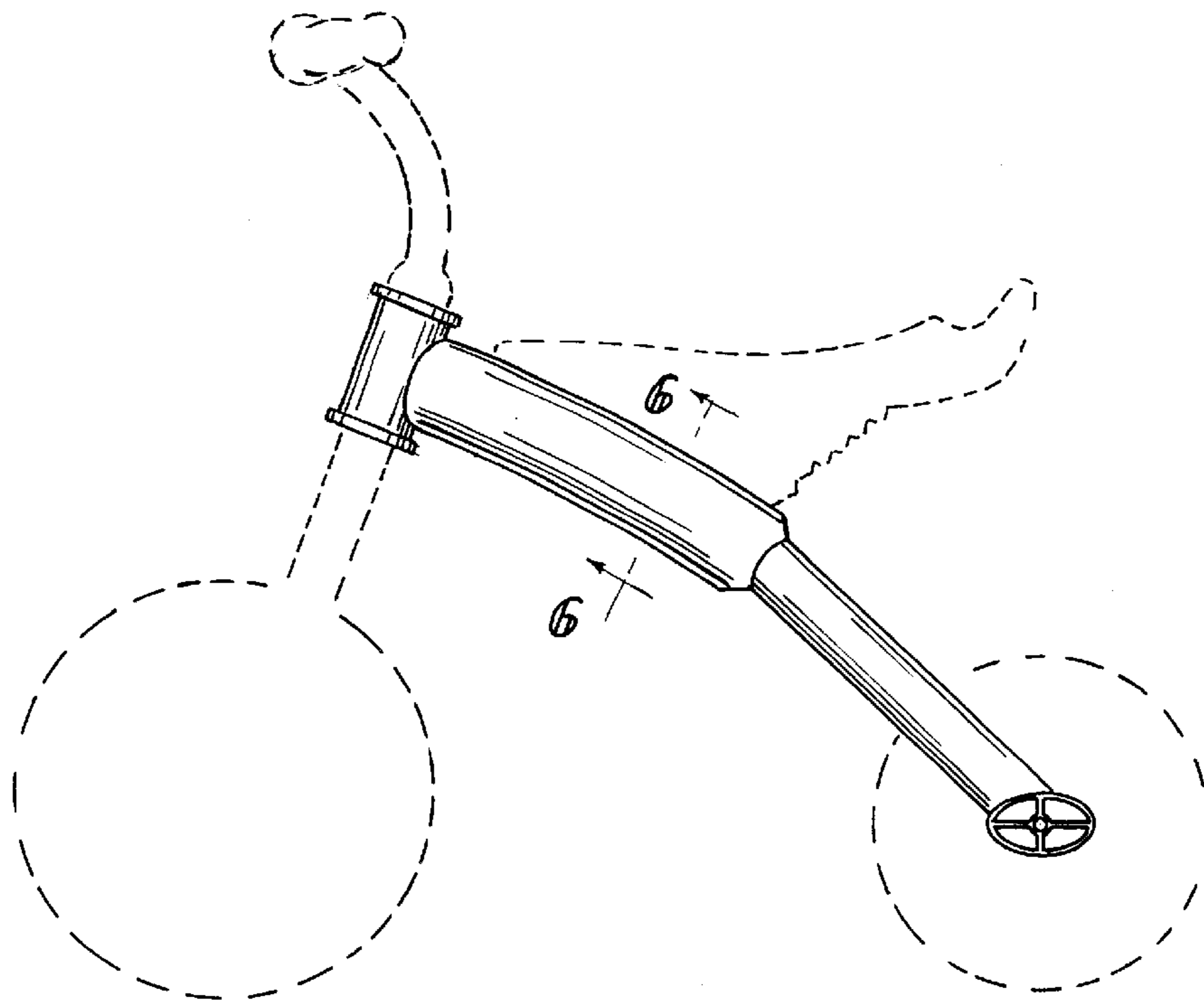


FIG. 1

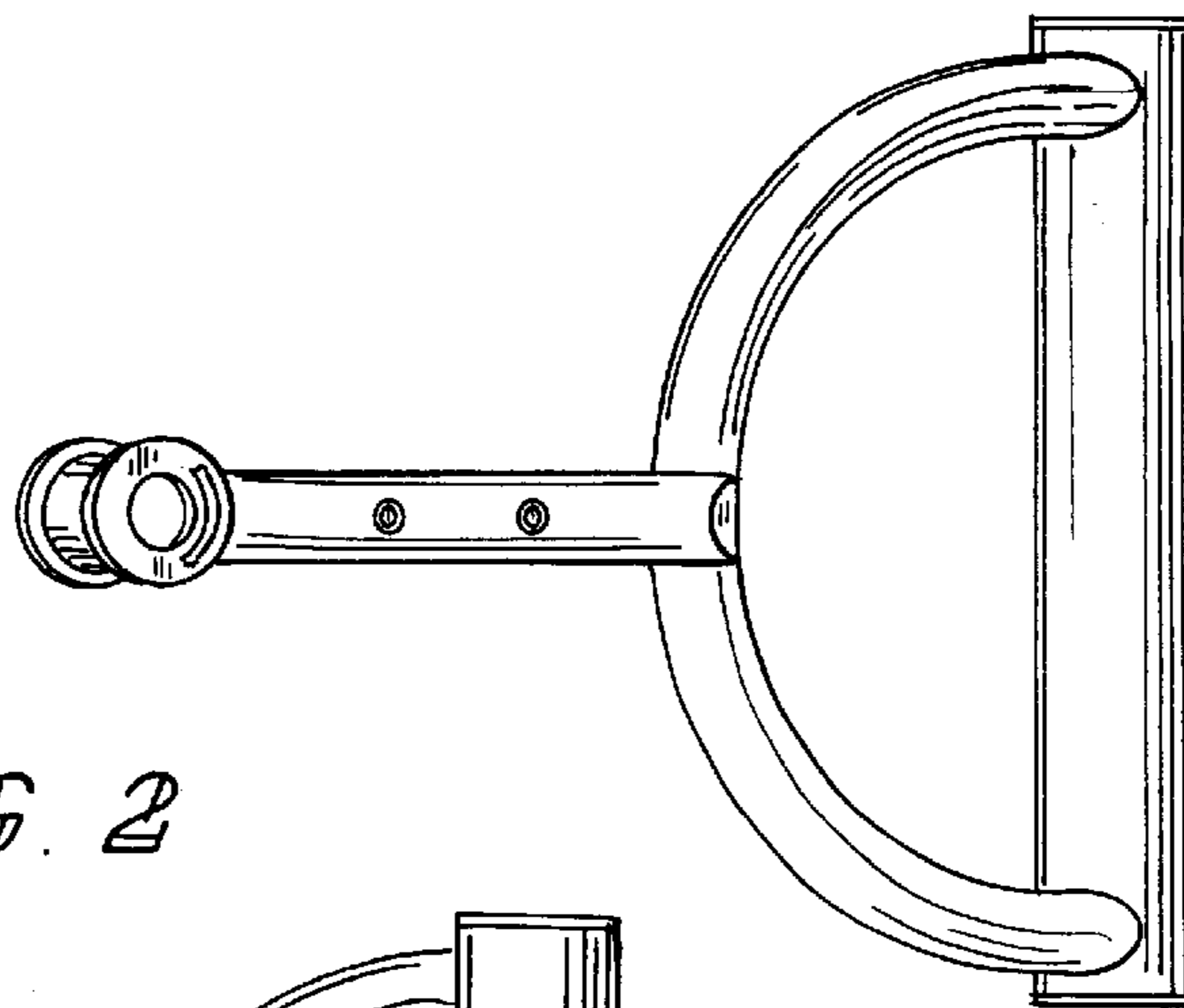


FIG. 2

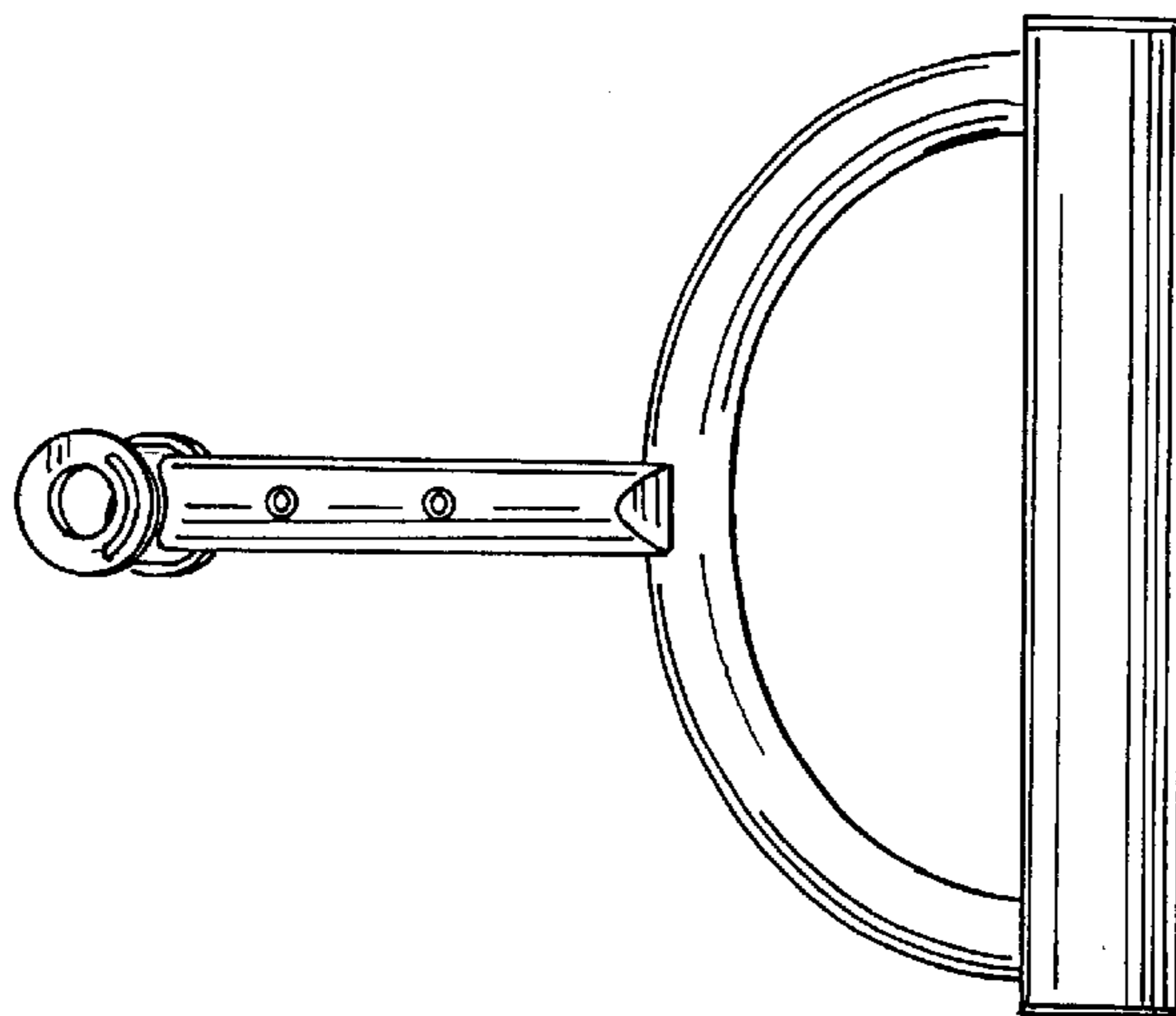


FIG. 3

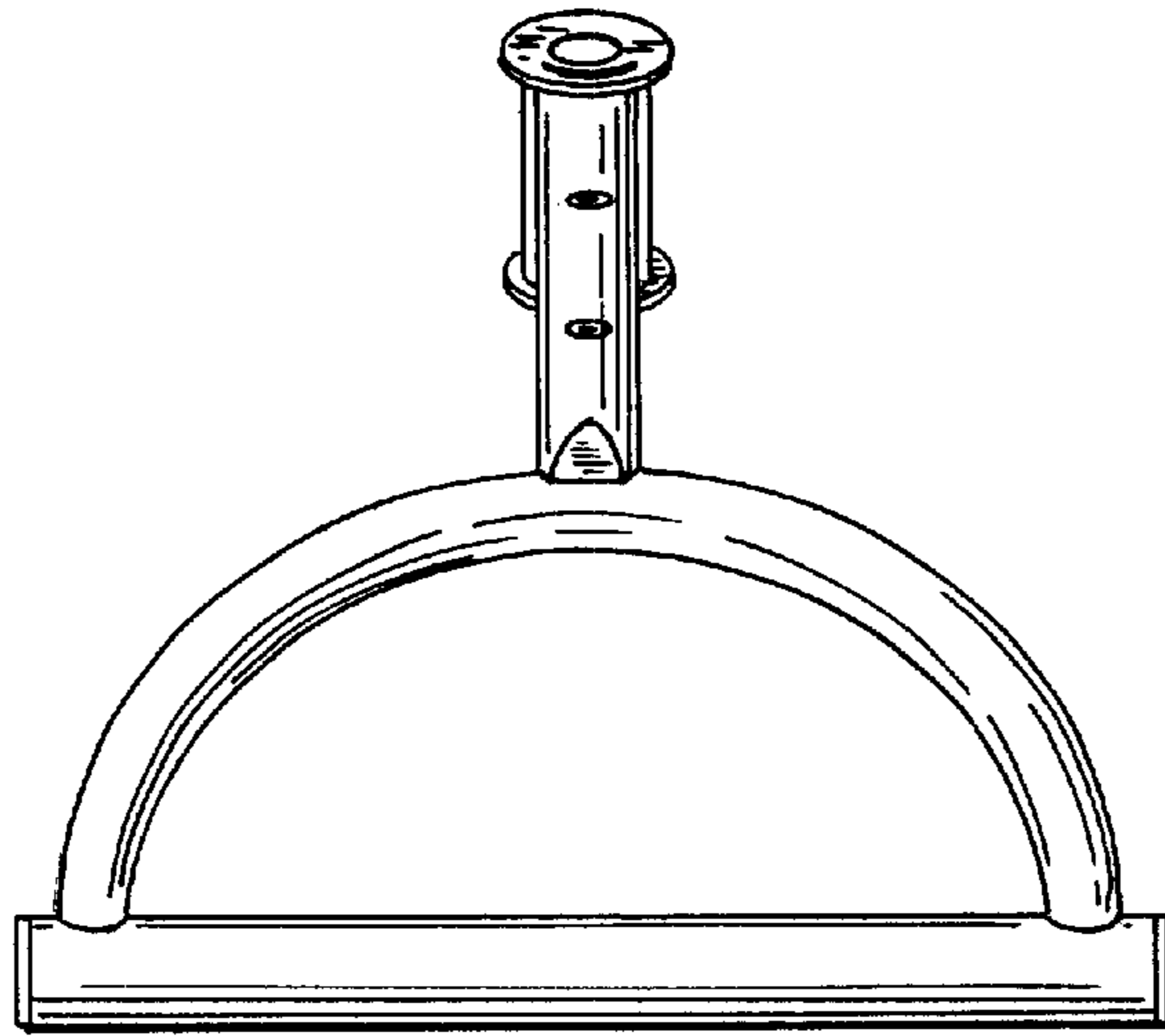


FIG. 4

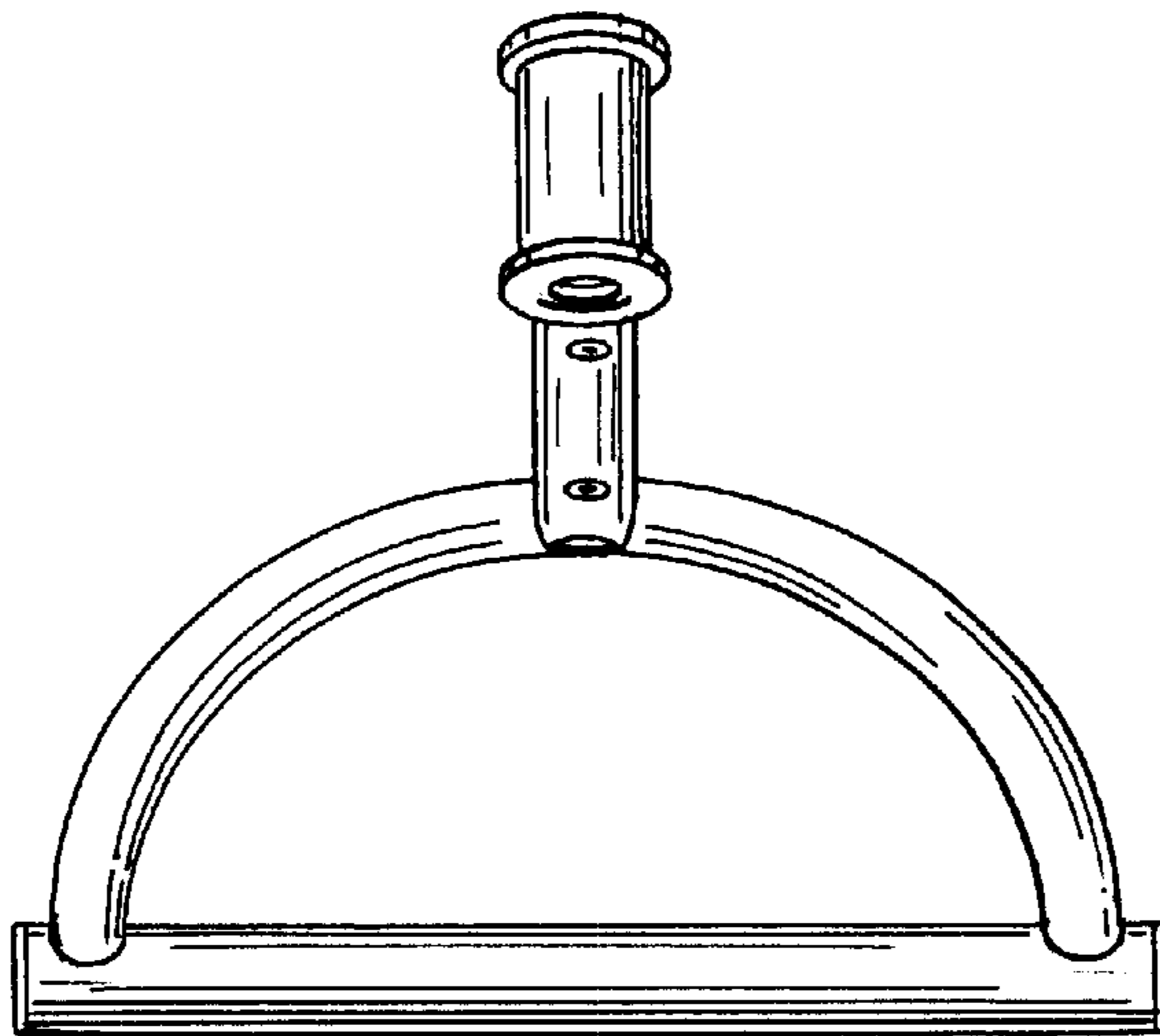


FIG. 5

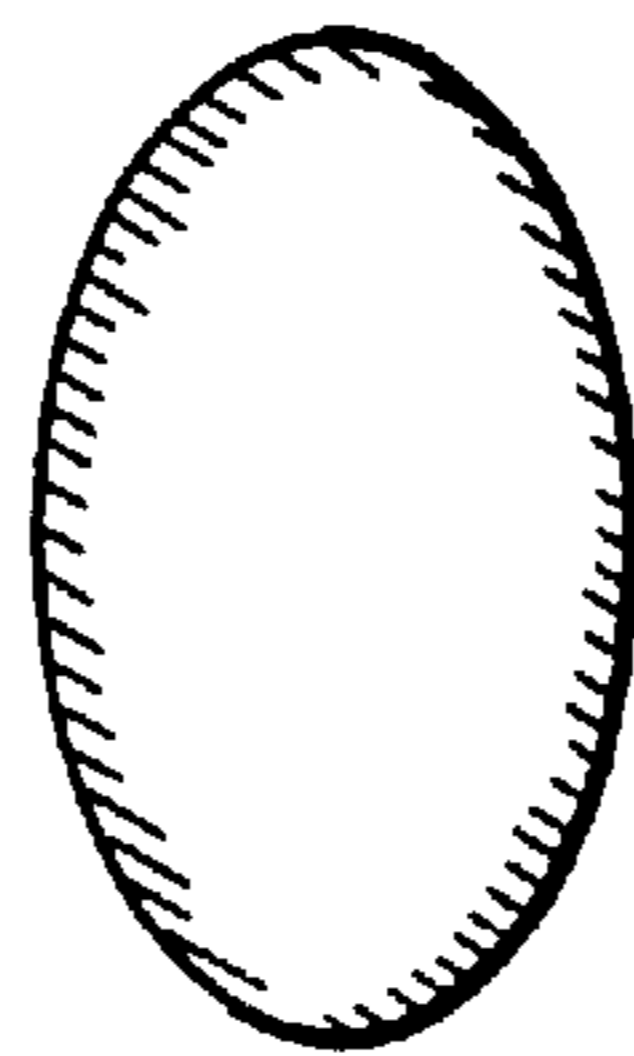


FIG. 6