



US00D460708S

(12) **United States Design Patent**
Ohm et al.

(10) **Patent No.:** **US D460,708 S**

(45) **Date of Patent:** **** Jul. 23, 2002**

(54) **SERVICE REMINDER**

(75) Inventors: **Patrick L. Ohm**, Mesa, AZ (US);
Hong-Chung Chang, Kowloon (CN)

(73) Assignee: **Bell Automotive Products, Inc.**,
Scottsdale, AZ (US)

(**) Term: **14 Years**

(21) Appl. No.: **29/151,761**

(22) Filed: **Dec. 10, 2001**

(51) **LOC (7) Cl.** **10-05**

(52) **U.S. Cl.** **D10/104**

(58) **Field of Search** D10/104; D14/339;
340/457, 457.2, 457.4, 438; 116/317, 309,
316; 235/110, 114, 117 A

(56) **References Cited**

U.S. PATENT DOCUMENTS

3,776,177 A	12/1973	Bryant et al.	116/133
4,031,363 A	6/1977	Freeman et al.	235/150.2
4,138,964 A	2/1979	Fujita	116/624
4,593,263 A	6/1986	Peckworth	340/52 D
4,942,841 A	* 7/1990	Drucker, Jr.	116/317

D313,794 S	*	1/1991	Coleman	D14/100
D374,187 S	*	10/1996	Phelps	D10/104
5,705,977 A	*	1/1998	Jones	340/457.2
5,900,811 A		5/1999	Shaw et al.	340/457.4
5,917,408 A		6/1999	Cardillo et al.	340/439
6,091,326 A		7/2000	Castellano	340/457.4
6,114,953 A		9/2000	Martin	340/457

* cited by examiner

Primary Examiner—Antoine Duval Davis

(74) *Attorney, Agent, or Firm*—Dick and Harris

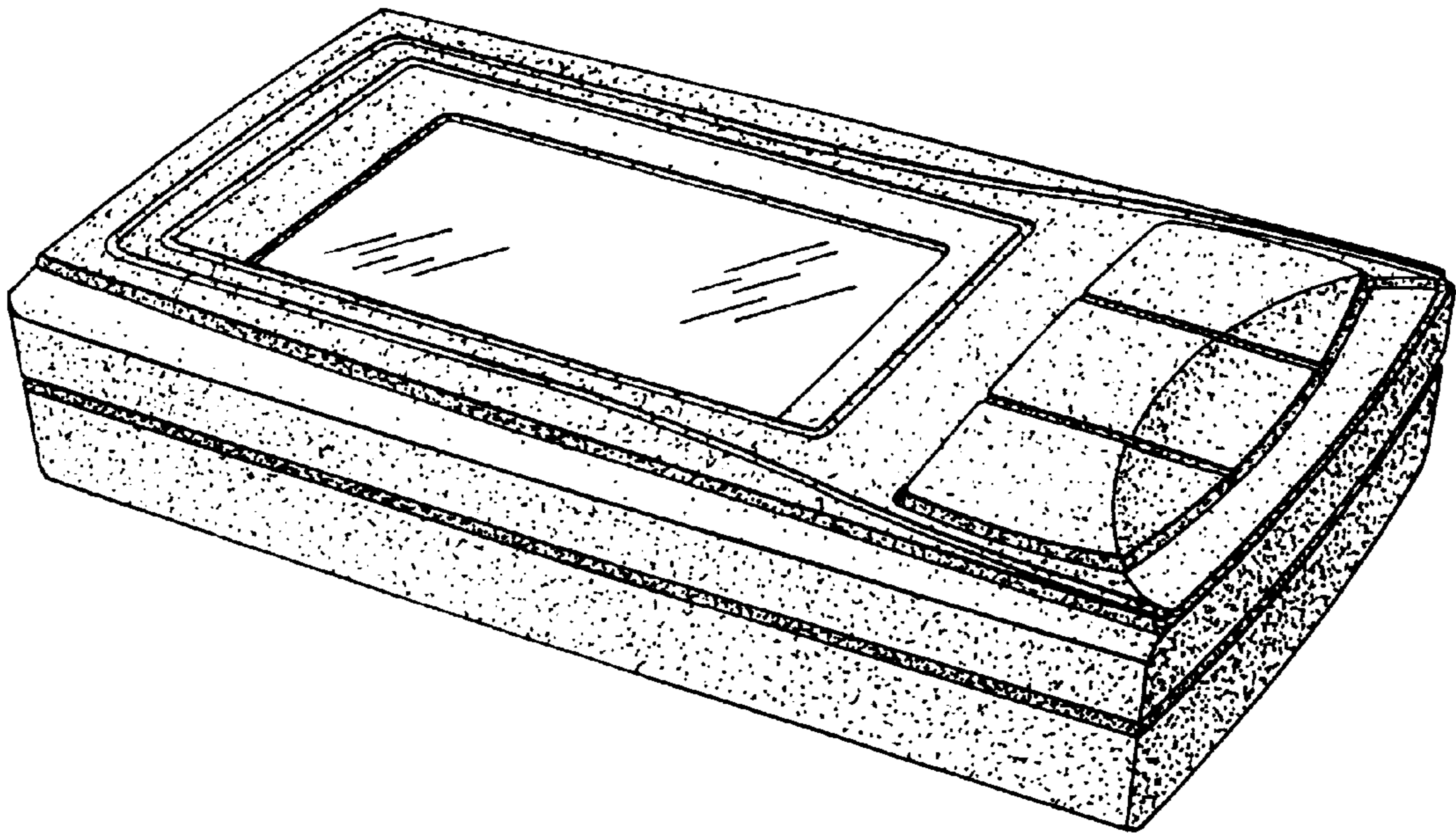
(57) **CLAIM**

The ornamental design for a service reminder, as shown.

DESCRIPTION

FIG. 1 is a perspective view of the service reminder, showing a new ornamental design therefor; FIG. 2 is a front elevational view thereof; FIG. 3 is a bottom plan view thereof; FIG. 4 is a left side elevational view thereof; FIG. 5 is a right side elevational view thereof; FIG. 6 is a rear elevational view thereof; and, FIG. 7 is a top plan view thereof.

1 Claim, 2 Drawing Sheets



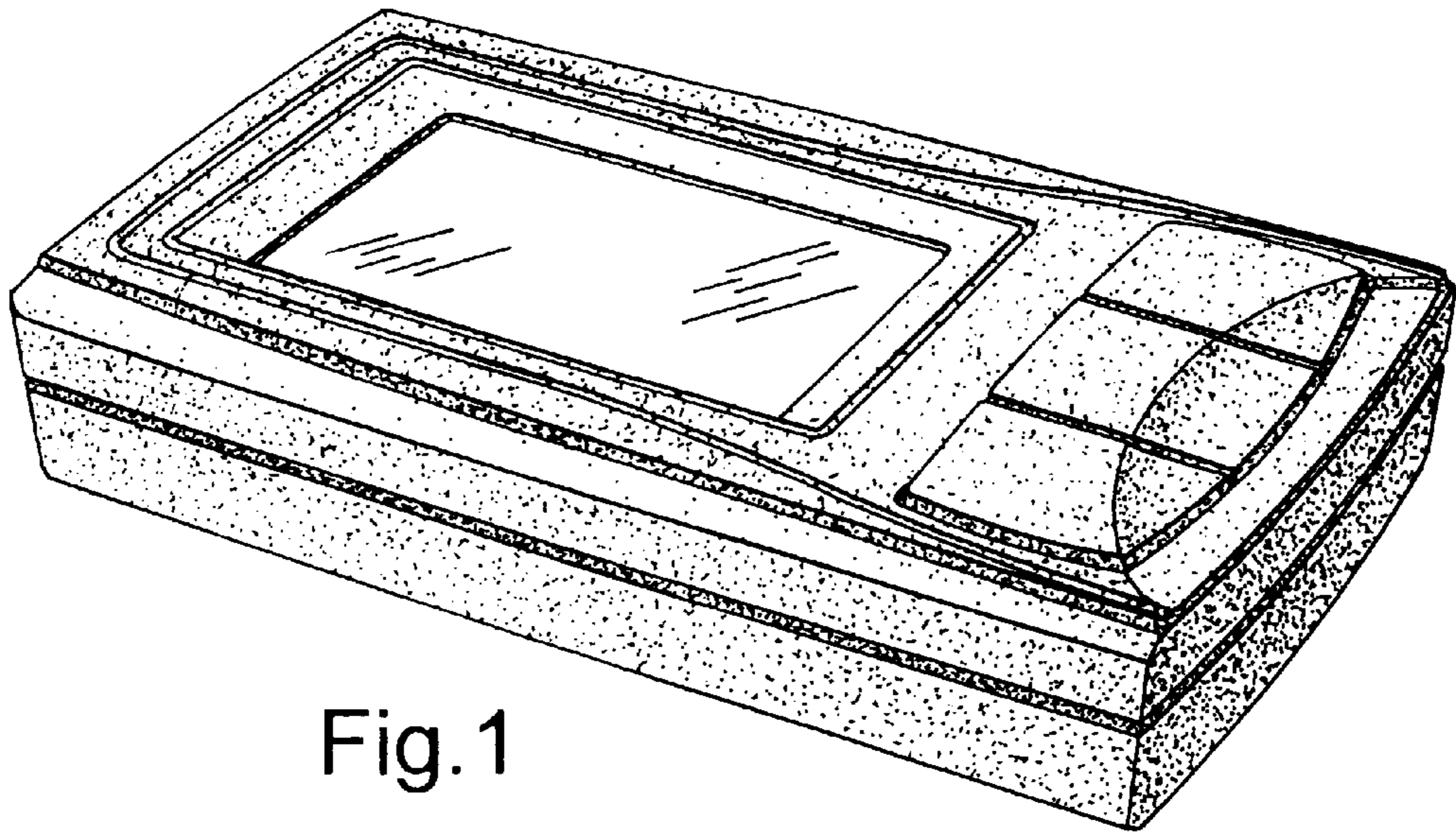


Fig. 1

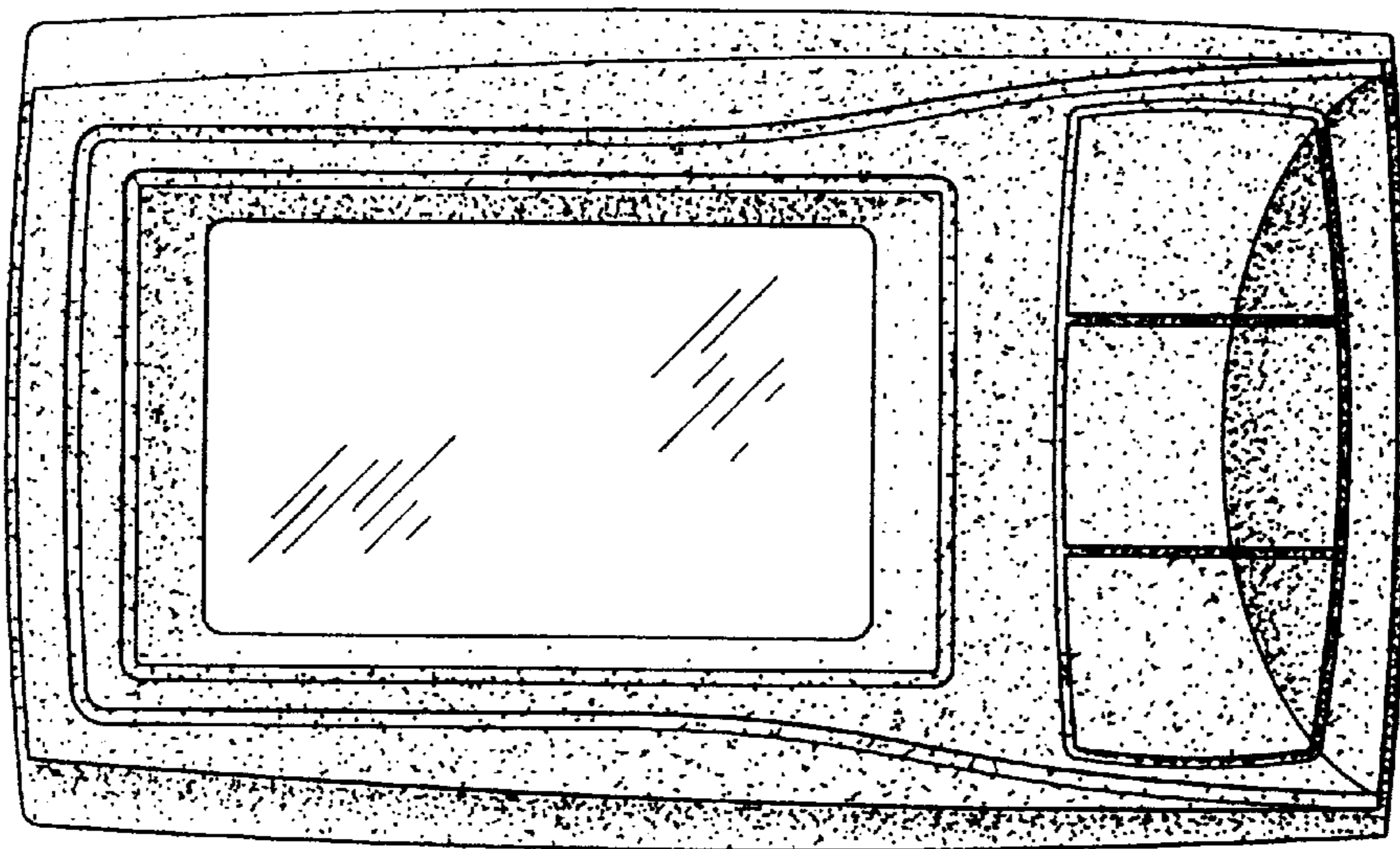


Fig. 2

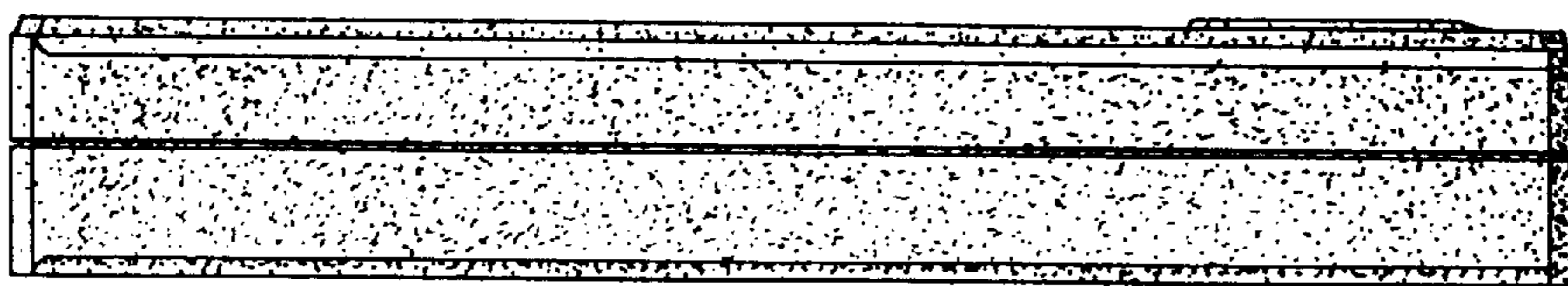


Fig. 3

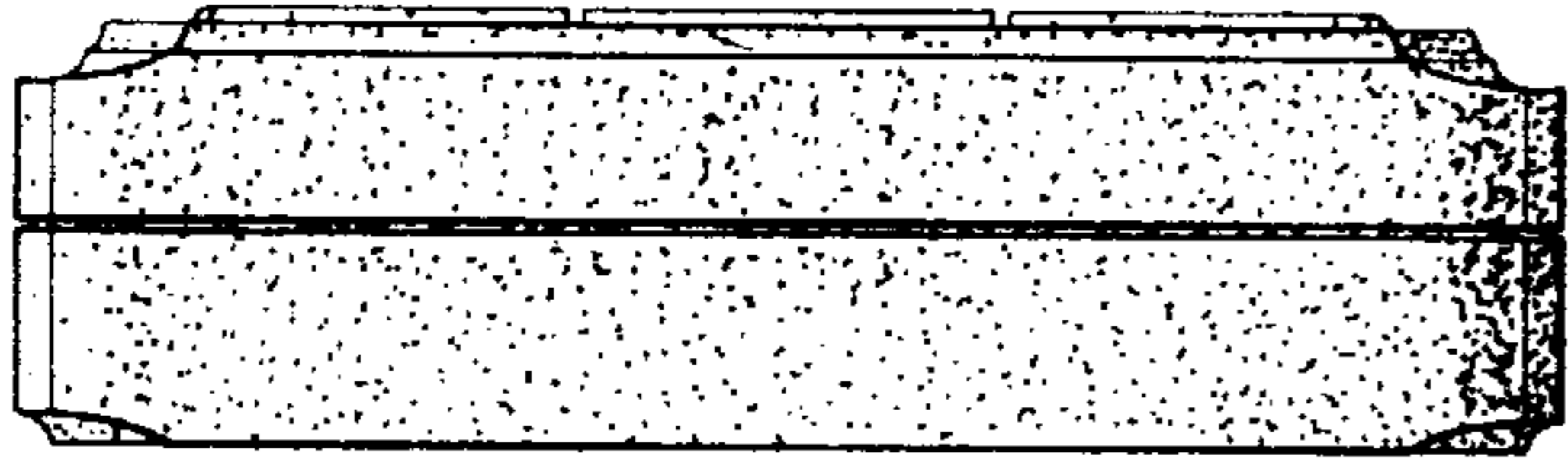


Fig.4

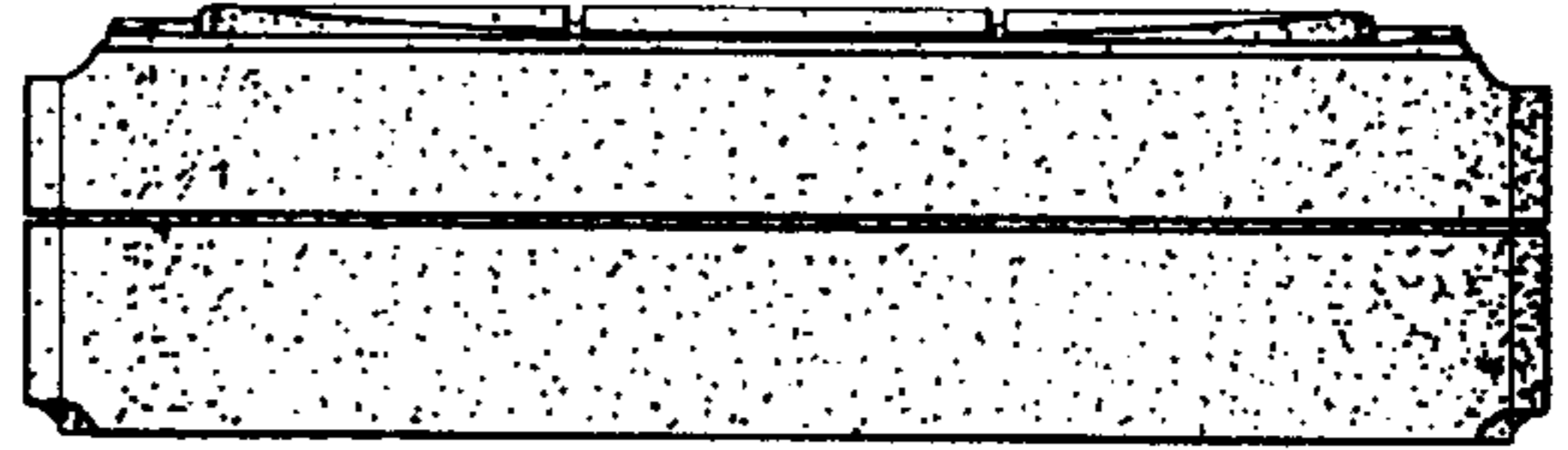


Fig.5

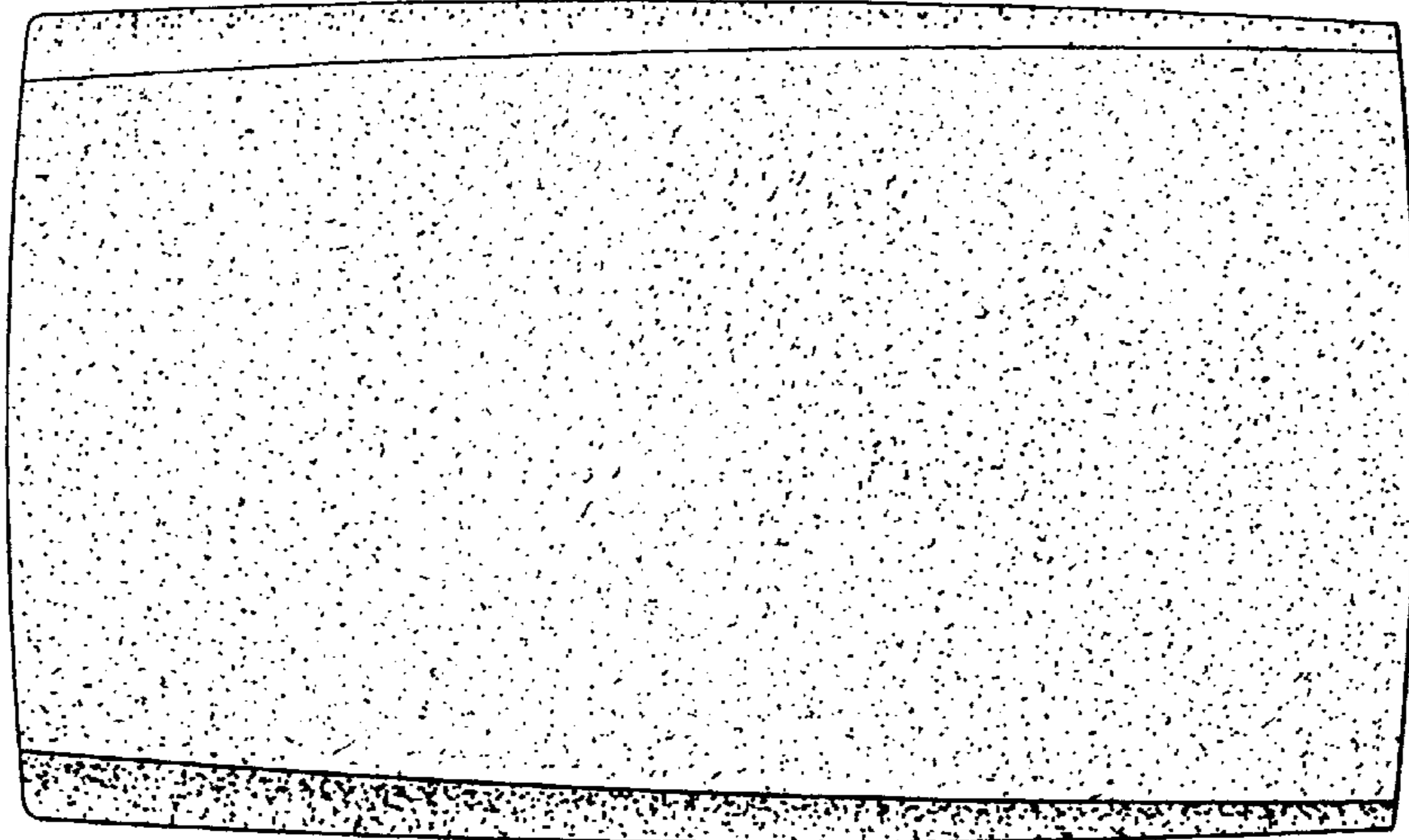


Fig.6

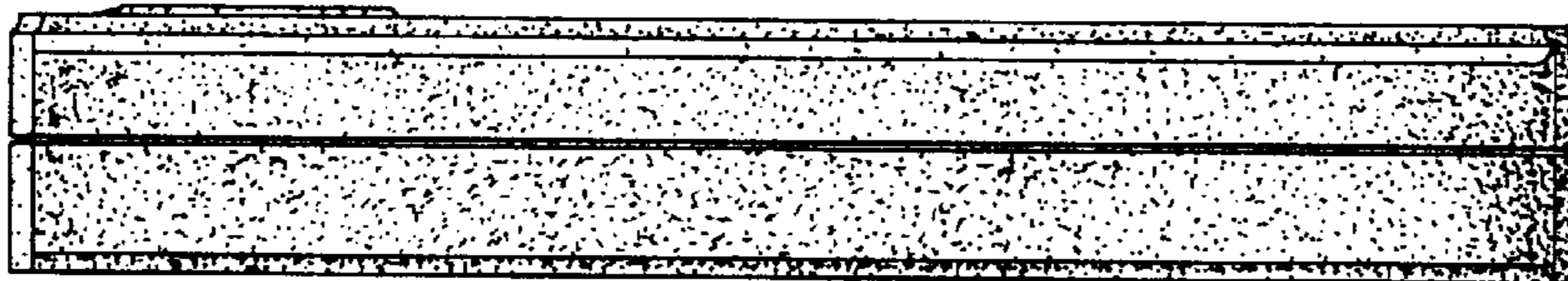


Fig.7