



US00D460707S

(12) **United States Design Patent**  
**Gubitosi**

(10) **Patent No.:** **US D460,707 S**

(45) **Date of Patent:** **\*\* Jul. 23, 2002**

(54) **INFANT MONITOR**

(75) **Inventor:** **Domenic Gubitosi**, East Aurora, NY (US)

(73) **Assignee:** **Mattel, Inc.**, El Segundo, CA (US)

(\*\*) **Term:** **14 Years**

(21) **Appl. No.:** **29/149,103**

(22) **Filed:** **Oct. 4, 2001**

(51) **LOC (7) Cl.** ..... **10-05**

(52) **U.S. Cl.** ..... **D10/104**

(58) **Field of Search** ..... D10/104, 106,  
D10/116, 121; D14/159, 191, 194; 340/345,  
348, 349, 351, 354, 371, 372, 373, 571,  
572, 573

(56) **References Cited**

**U.S. PATENT DOCUMENTS**

4,858,079 A	8/1989	Ohashi	
4,984,380 A	1/1991	Anderson	
5,210,532 A	5/1993	Knoedler et al.	
5,280,635 A	1/1994	Knoedler et al.	
5,387,146 A	2/1995	Smith et al.	
5,446,934 A	9/1995	Frazier	
5,555,891 A	9/1996	Eisenfeld	
5,951,360 A	9/1999	Fearon et al.	
6,011,477 A	1/2000	Teodorescu et al.	
6,043,747 A	3/2000	Altenhofen	
6,066,161 A	5/2000	Parella	
6,072,392 A	6/2000	Henderson et al.	
6,084,527 A	7/2000	Spector	
6,091,329 A	7/2000	Newman	
D430,052 S	* 8/2000	Nowak	..... D10/104

6,113,455 A	9/2000	Whelan	
6,116,983 A	9/2000	Long et al.	
6,158,278 A	12/2000	Klinefelter	
6,175,981 B1	1/2001	Lizama et al.	
D446,143 S	* 8/2001	Kliegman et al.	..... D10/104

**FOREIGN PATENT DOCUMENTS**

GB 2 322 952 A 9/1998

**OTHER PUBLICATIONS**

“Constant Care 3000™ Two-Way Communicator” Evenflo, Inc. Website, 1 page, www.evenflo.com/ep/bath\_bed/care3000.phtml?nf,2001.

\* cited by examiner

*Primary Examiner*—Marcus A. Jackson

(74) *Attorney, Agent, or Firm*—Cooley Godward LLP

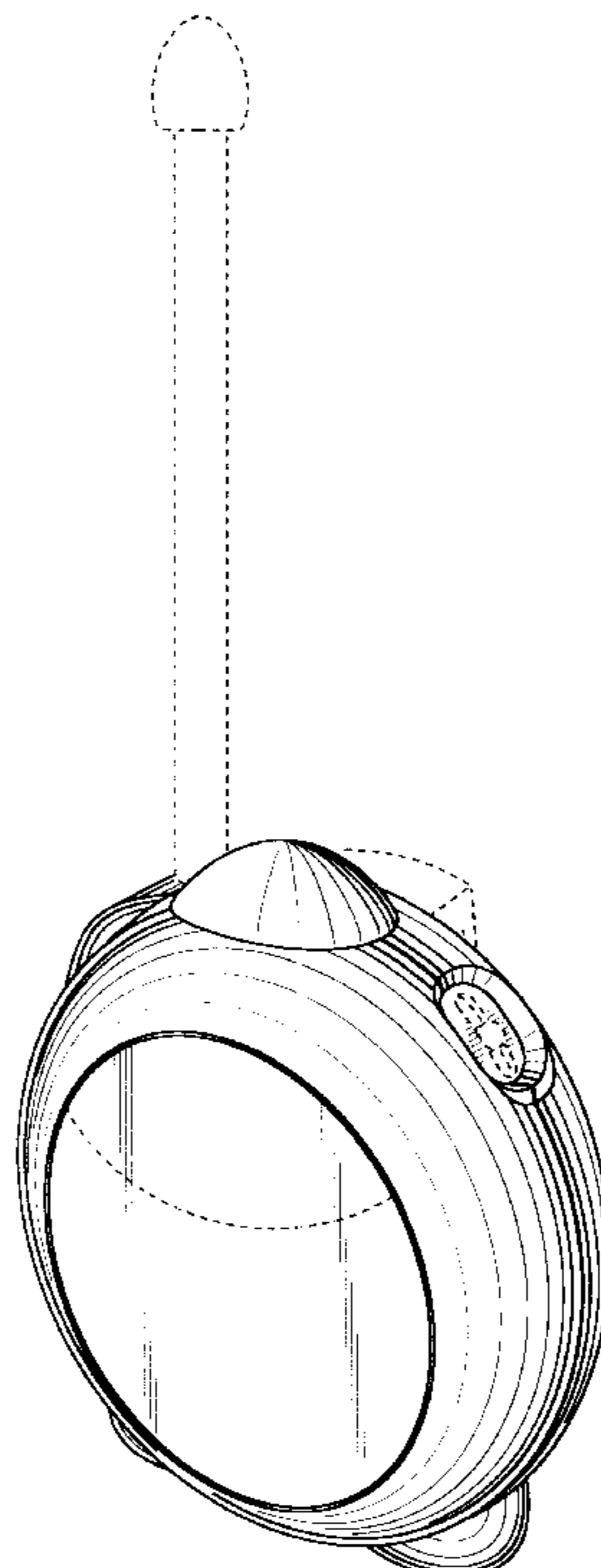
(57) **CLAIM**

The ornamental design for an infant monitor, as shown and described.

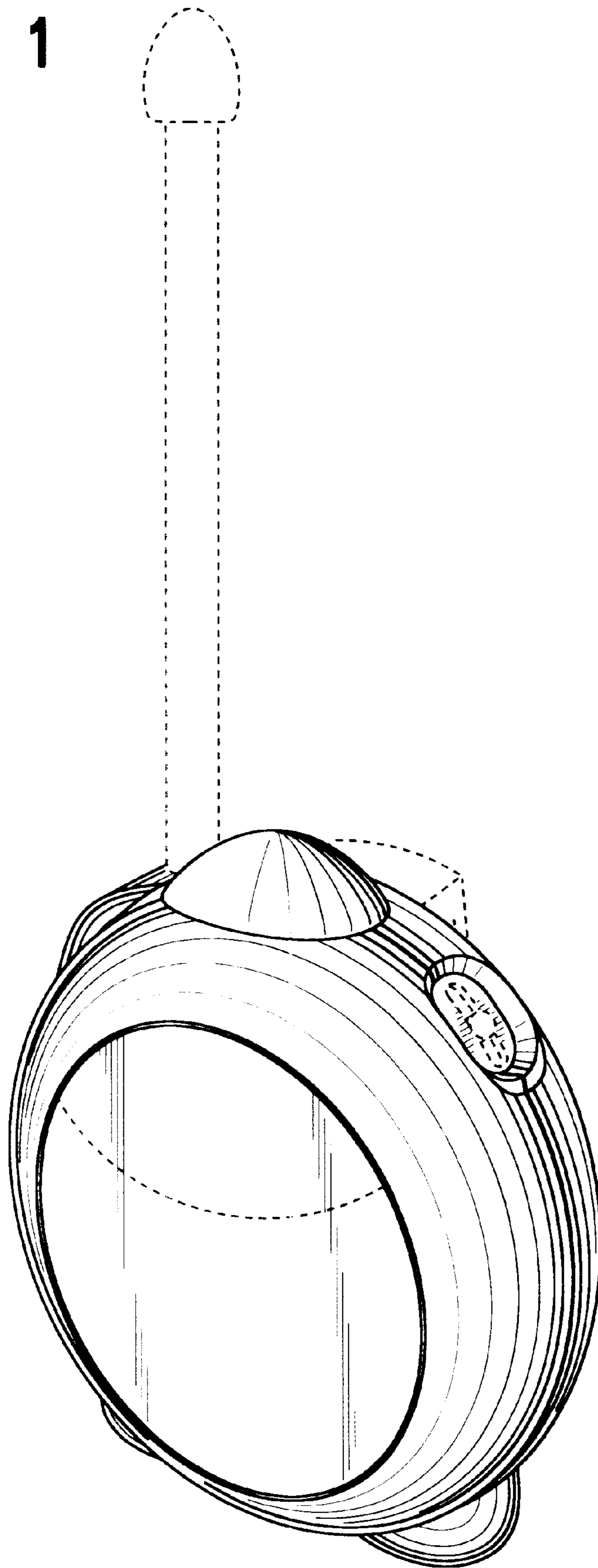
**DESCRIPTION**

FIG. 1 is a perspective view of an infant monitor; FIG. 2 is a front view thereof; FIG. 3 is a rear view thereof; FIG. 4 is a left side view thereof; FIG. 5 is a right side view thereof; FIG. 6 is a top plan view thereof; and, FIG. 7 is a bottom plan view thereof. The portion of the article depicted in broken lines is for illustrative purposes only and forms no part of the claimed design.

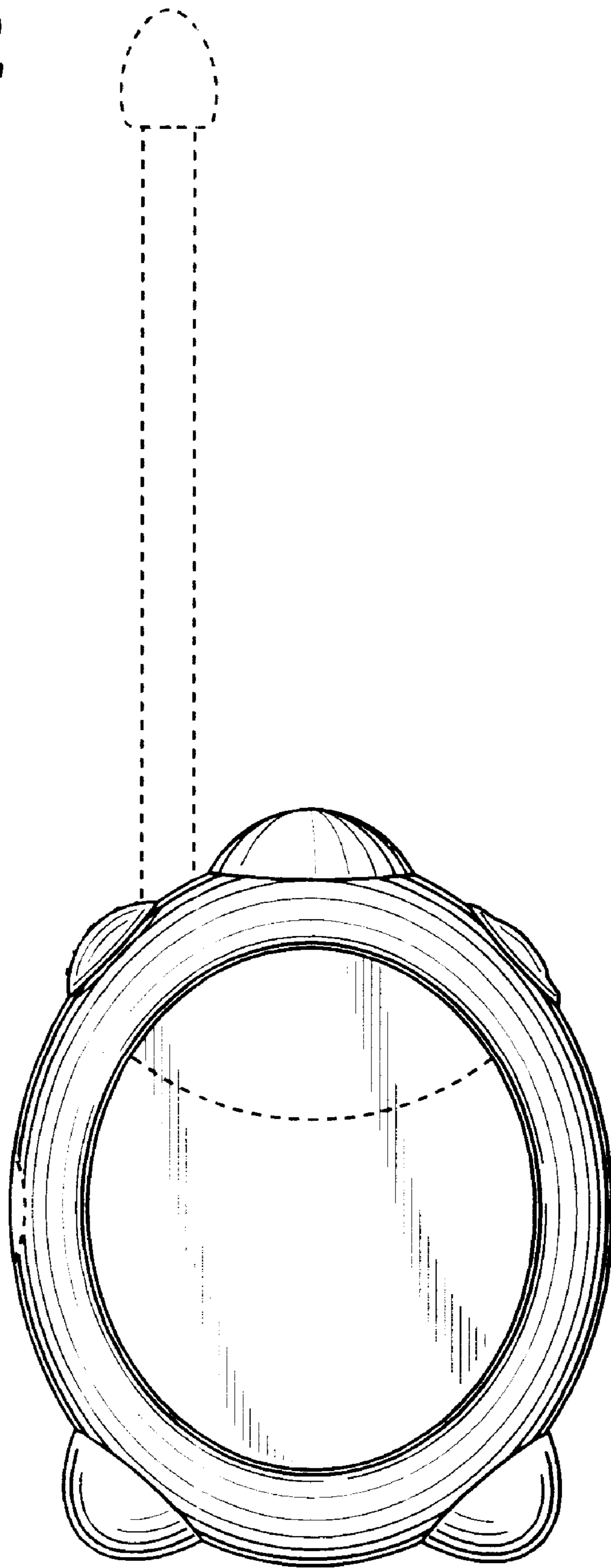
**1 Claim, 5 Drawing Sheets**



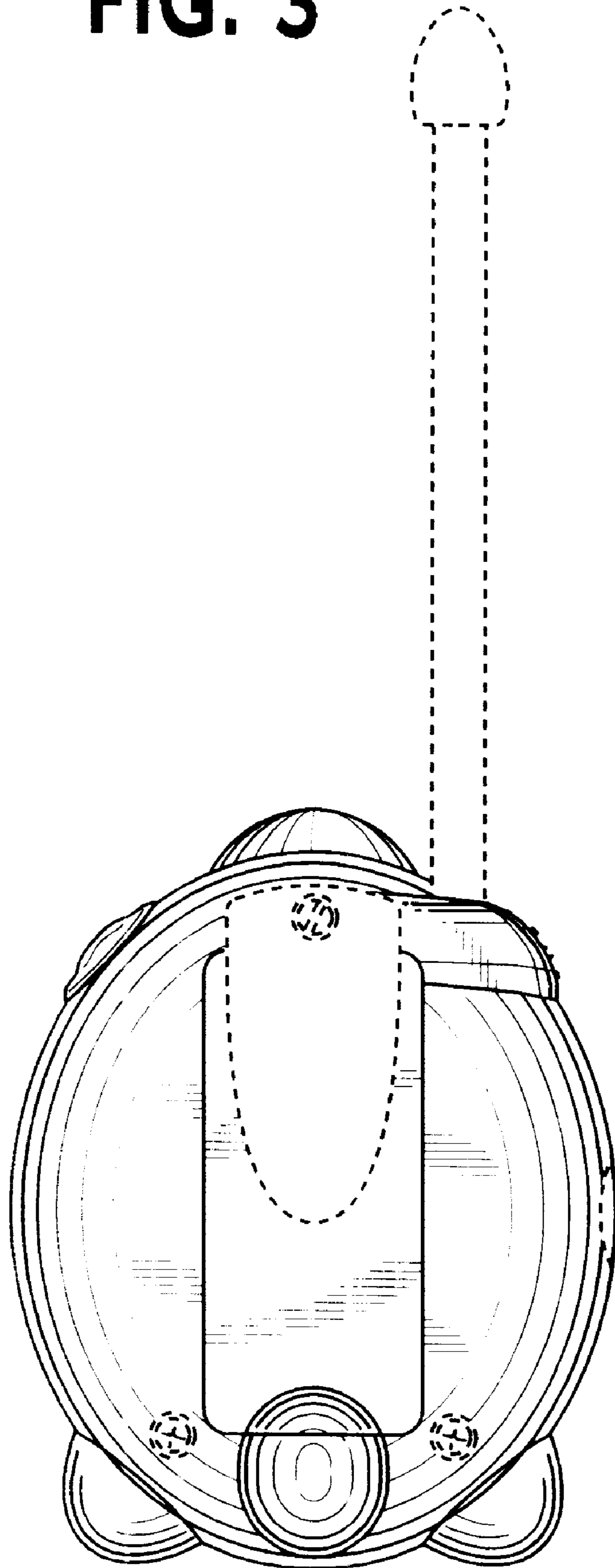
**FIG. 1**



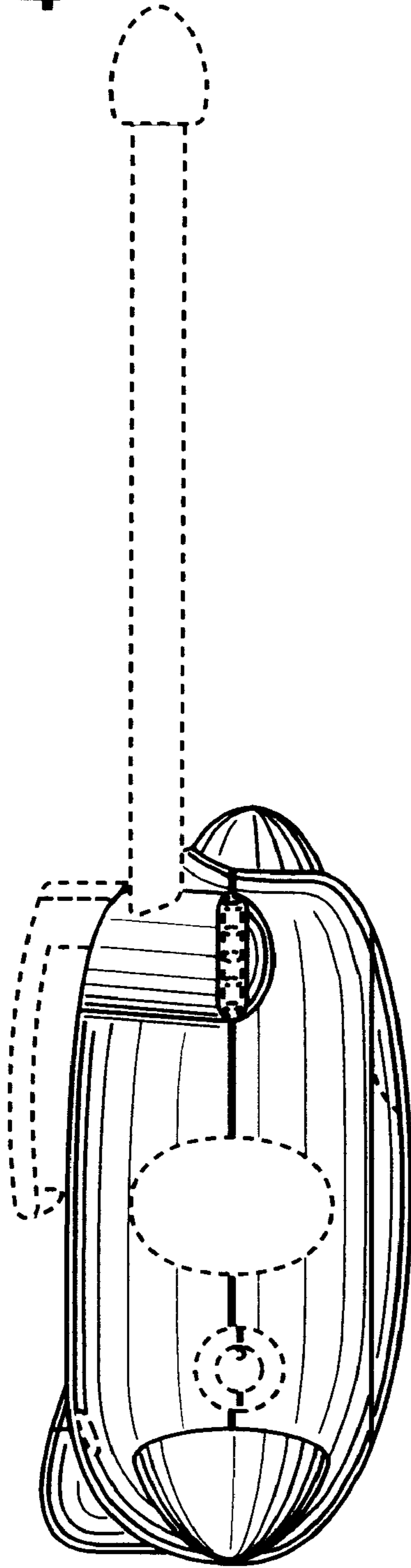
**FIG. 2**



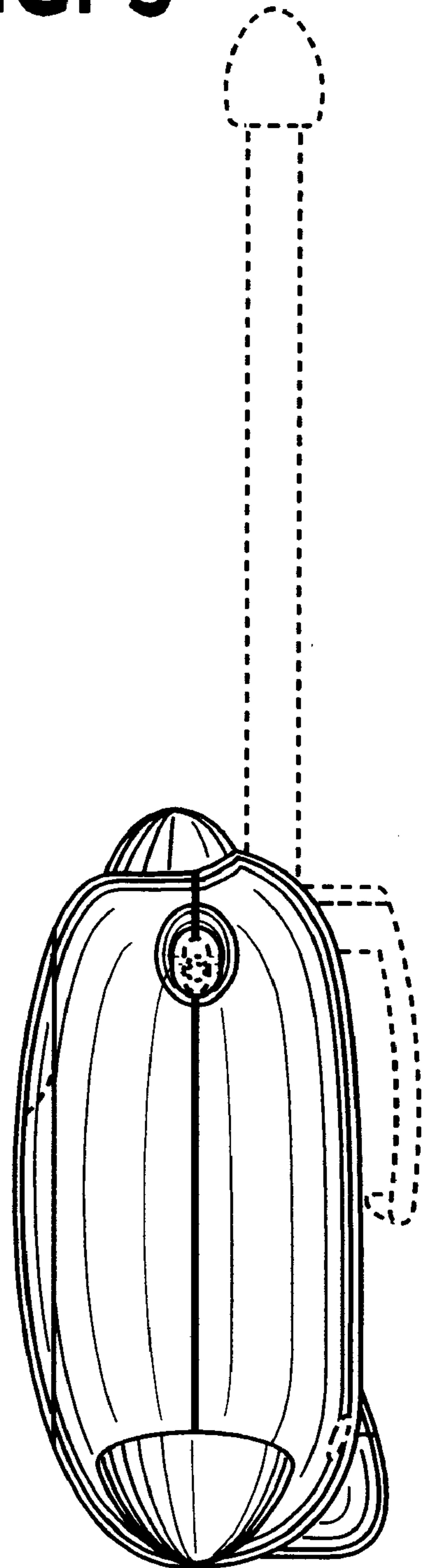
**FIG. 3**



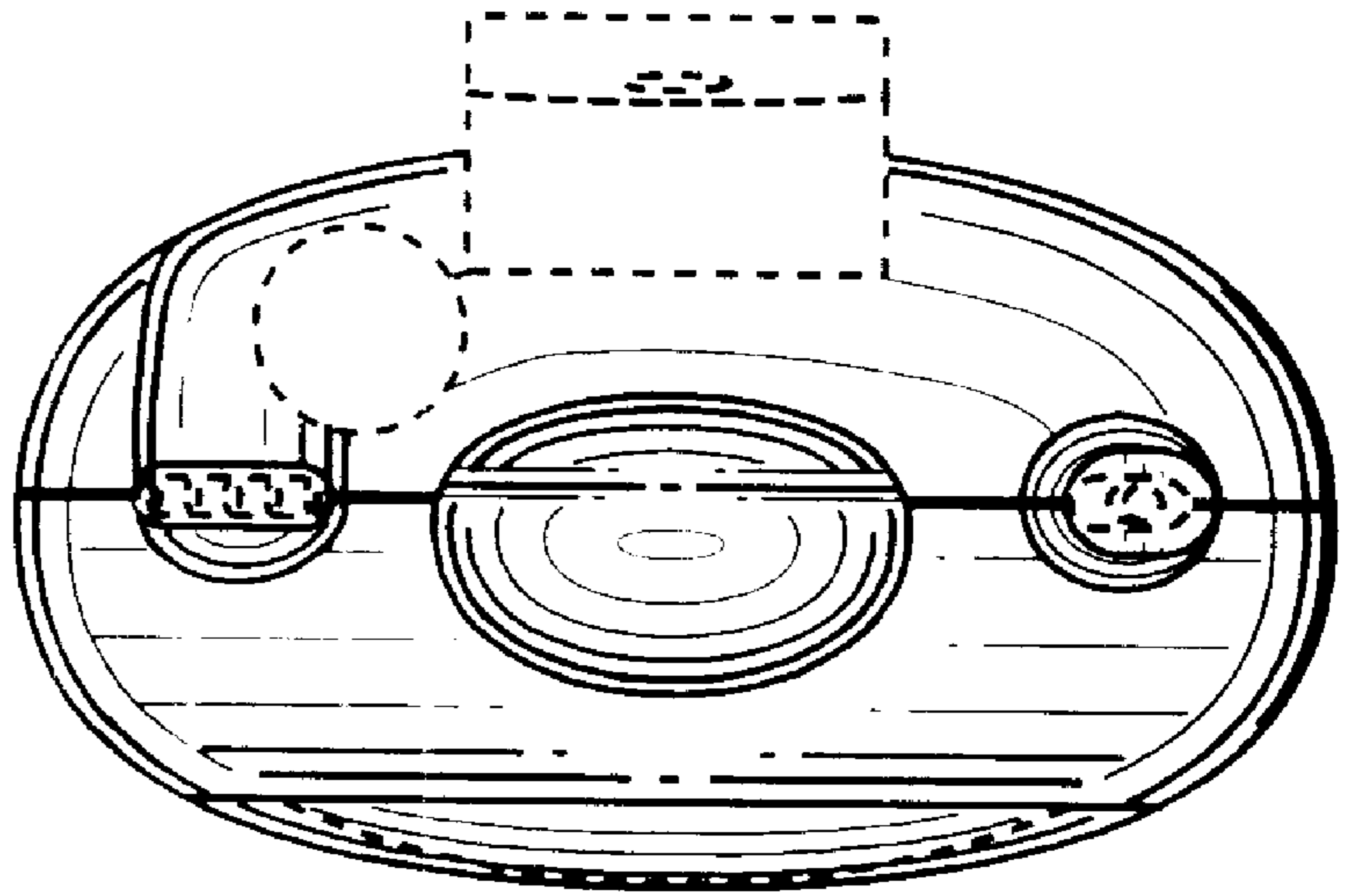
**FIG. 4**



**FIG. 5**



**FIG. 6**



**FIG. 7**

