



US00D460697S

(12) **United States Design Patent**  
**Del Bon**

(10) **Patent No.:** **US D460,697 S**

(45) **Date of Patent:** **\*\* Jul. 23, 2002**

(54) **BOTTLE**

(75) **Inventor:** **Roberto Del Bon, Basiglio (IT)**

(73) **Assignee:** **Vetriere Bruni S.p.A., Trezzano (IT)**

(\*\*) **Term:** **14 Years**

(21) **Appl. No.:** **29/127,322**

(22) **Filed:** **Aug. 3, 2000**

(51) **LOC (7) Cl.** ..... **09-01**

(52) **U.S. Cl.** ..... **D9/565; D9/516; D9/574**

(58) **Field of Search** ..... **D9/500, 503, 504, D9/516, 522, 530, 539, 552, 558, 560, 565, 572, 574; 215/381-384, 396, 398, 371, 375; 220/671-672, 770-772**

(56) **References Cited**

**U.S. PATENT DOCUMENTS**

D76,990 S	*	11/1928	Curran	.....	D9/523
D110,790 S	*	8/1938	Ansell	.....	D9/544
D124,394 S	*	12/1940	Service	.....	D9/544
D152,962 S	*	3/1949	Guerin	.....	D9/546
D153,194 S	*	3/1949	Wiedhopf	.....	D9/560
D168,932 S	*	3/1953	Frydlender	.....	D9/529
D178,808 S	*	9/1956	Rosenak	.....	D9/500
D320,347 S	*	10/1991	Lucarelli	.....	D9/418
D326,811 S	*	6/1992	Messer	.....	D9/500
D344,895 S	*	3/1994	Berti	.....	D9/542
D345,104 S	*	3/1994	Bareiss	.....	D9/529
D359,691 S	*	6/1995	Pire	.....	D9/560
D369,559 S	*	5/1996	Vilval	.....	D9/561

D387,668 S	*	12/1997	Bond	.....	D9/520
D406,064 S	*	2/1999	Alexandre	.....	D9/545
D411,458 S	*	6/1999	Baschmakoff	.....	D9/544
D412,283 S	*	7/1999	Baschmakoff	.....	D9/544
D420,595 S	*	2/2000	Herrmann	.....	D9/529
D423,938 S	*	5/2000	Kudo	.....	D9/529
D425,305 S	*	5/2000	Ferragamo	.....	D3/318
D427,908 S	*	7/2000	Bae	.....	D9/500
6,085,923 A	*	7/2000	Yaniger	.....	215/355

**OTHER PUBLICATIONS**

Beauty Fashion Magazine, p. 56, Senchal package with bottle, upper left of page.\*

Douglas Containers—Drug, chemical & toiletry industries, Owens-Illinois, Toledo, Ohio, p. 18, left side top and bottom, "E" & "K", catalogue.\*

\* cited by examiner

*Primary Examiner*—Ted Shooman

*Assistant Examiner*—Carol Rademaker

(74) *Attorney, Agent, or Firm*—Kirschstein et al.

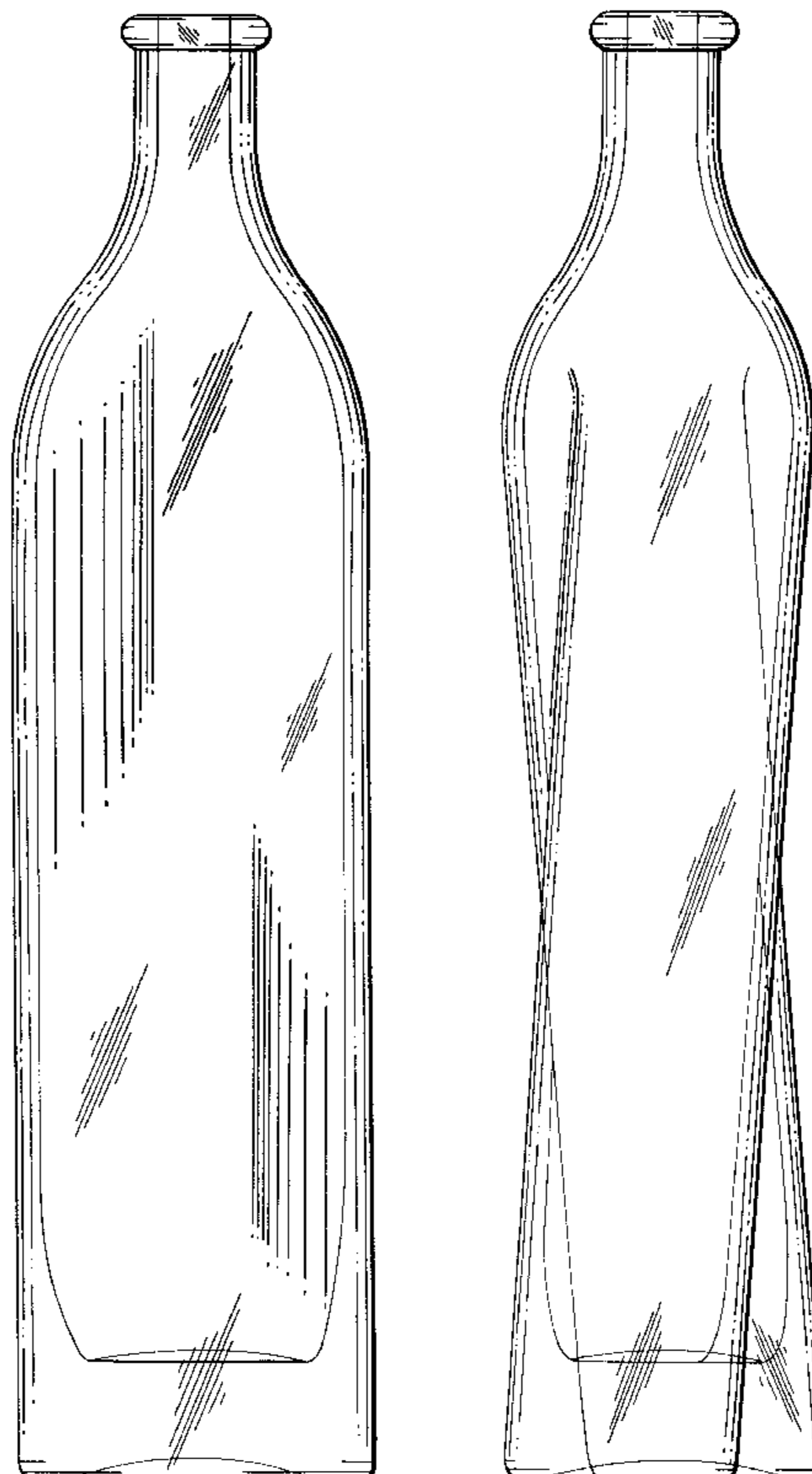
(57) **CLAIM**

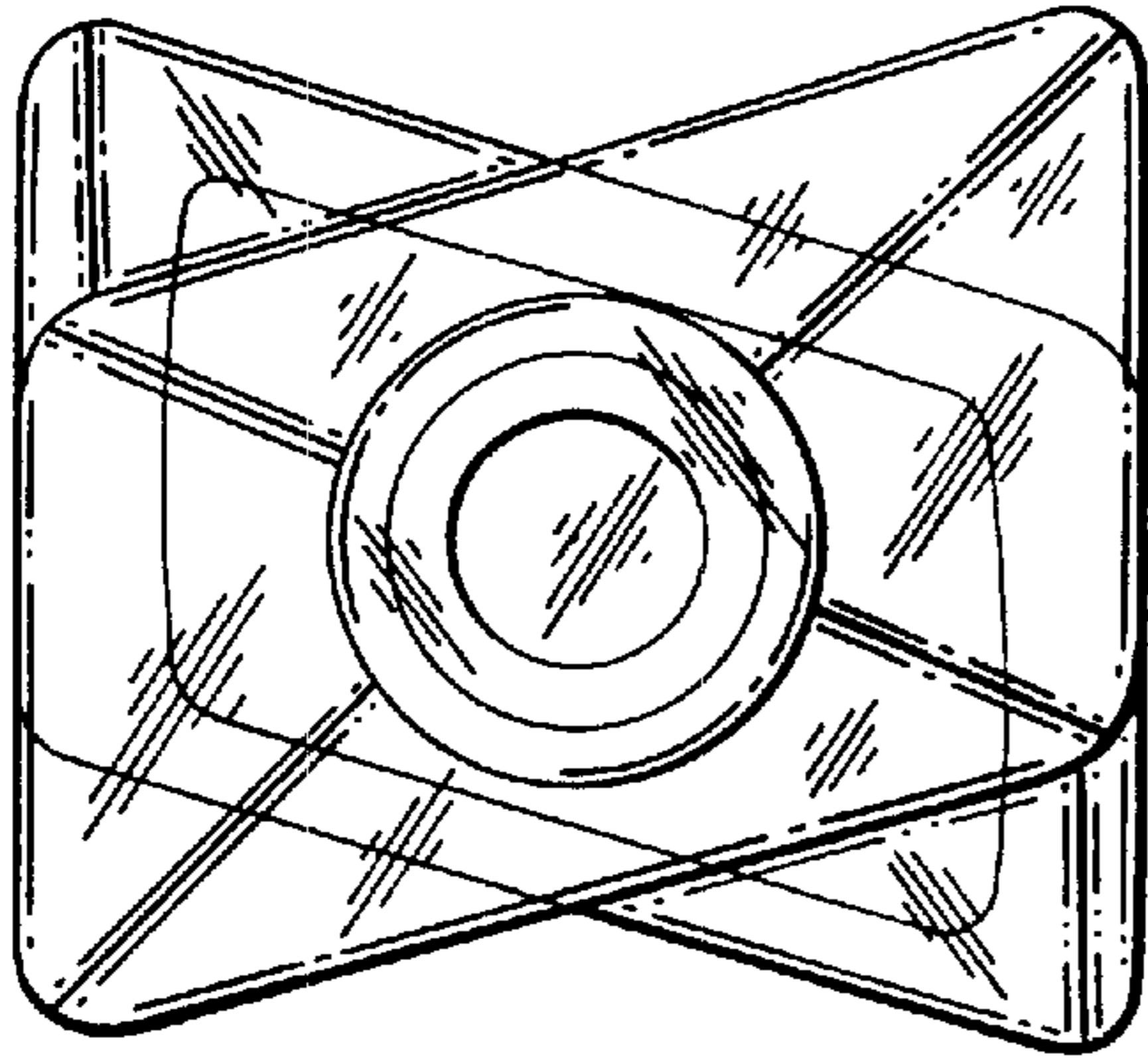
The ornamental design for a bottle, as shown.

**DESCRIPTION**

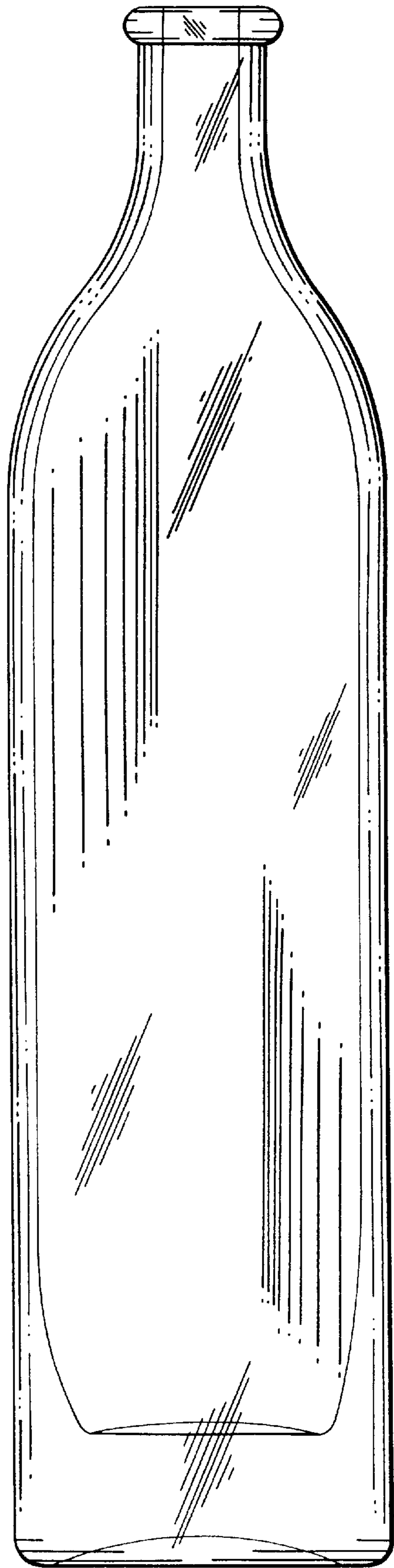
FIG. 1 is a top plan view of a bottle according to my design; FIG. 2 is a front elevational view thereof; FIG. 3 is a side elevational view thereof; and, FIG. 4 is a bottom plan view thereof.

**1 Claim, 2 Drawing Sheets**

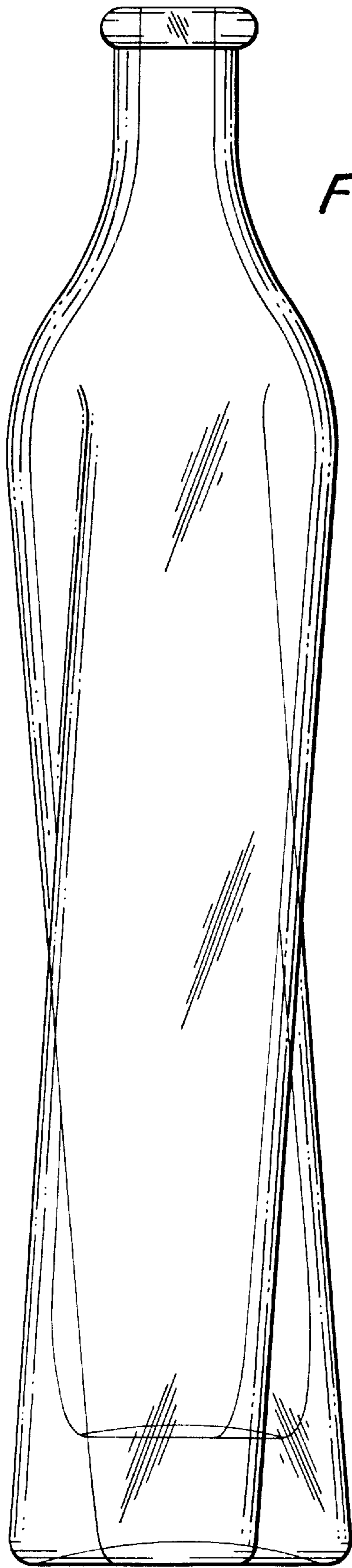




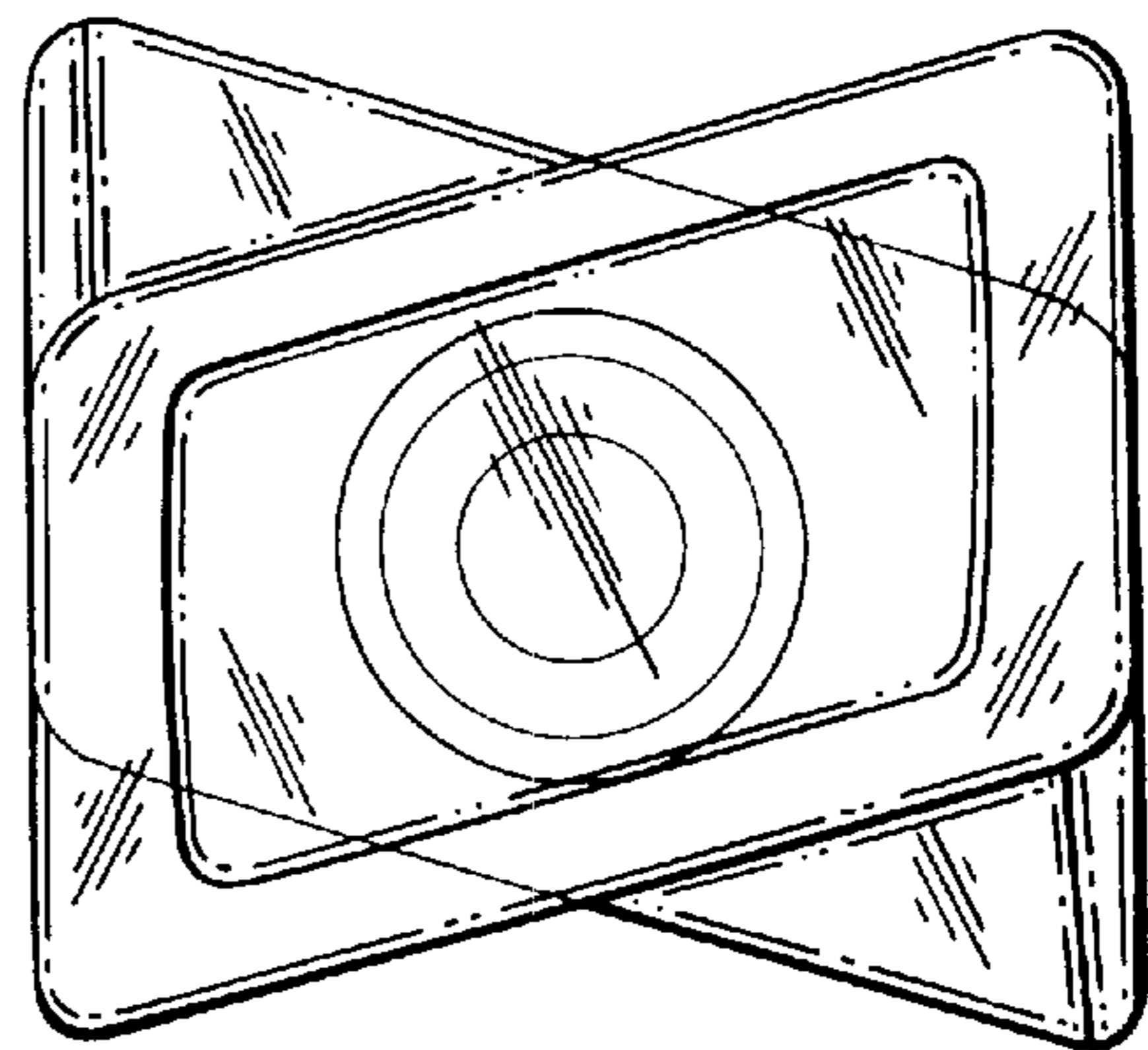
*FIG. 1*



*FIG. 2*



*FIG. 3*



*FIG. 4*