



US00D460693S

(12) **United States Design Patent**  
**Flowers**

(10) **Patent No.:** **US D460,693 S**

(45) **Date of Patent:** **\*\* Jul. 23, 2002**

(54) **BALL-SHAPED CONTAINER**

(75) Inventor: **Bruce Douglas Flowers**, Elmhurst, IL (US)

(73) Assignee: **Keebler Company**, Elmhurst, IL (US)

(\*\*) Term: **14 Years**

(21) Appl. No.: **29/138,487**

(22) Filed: **Mar. 13, 2001**

(51) **LOC (7) Cl.** ..... **09-01**

(52) **U.S. Cl.** ..... **D9/521**

(58) **Field of Search** ..... D7/628, 590, 591, D7/612; D9/500, 307, 503, 504, 505, 516, 521, 529, 519, 544, 545, 574; D21/314-315, 318-319; D26/2; 215/381-384, 396, 398; 220/671-672, 6

(56) **References Cited**

**U.S. PATENT DOCUMENTS**

D202,299 S \* 9/1965 De Karr ..... D9/519  
3,624,939 A 12/1971 Gossard

(List continued on next page.)

*Primary Examiner*—Ted Shooman

*Assistant Examiner*—Carol Rademaker

(74) *Attorney, Agent, or Firm*—Leydig, Voit & Mayer, Ltd.

(57) **CLAIM**

The ornamental design for a ball-shaped container, as shown and described.

**DESCRIPTION**

FIG. 1 is a perspective view of a ball-shaped container showing my new design;

FIG. 2 is an exploded perspective view of the ball-shaped container of FIG. 1;

FIG. 3 is a front view of the ball-shaped container of FIG. 1, the left side, right side, and rear views being identical and shown at a reduced scale;

FIG. 4 is a top plan view of the ball-shaped container of FIG. 1, shown at a reduced scale;

FIG. 5 is a bottom plan view of the ball-shaped container of FIG. 1, shown at a reduced scale;

FIG. 6 is a front view of the ball-shaped container of FIG. 1, shown at a reduced scale and with a basketball-simulating surface/cover shown in broken lines;

FIG. 7 is a front view of the ball-shaped container of FIG. 1, shown at a reduced scale and with a golf ball-simulating surface/cover shown in broken lines;

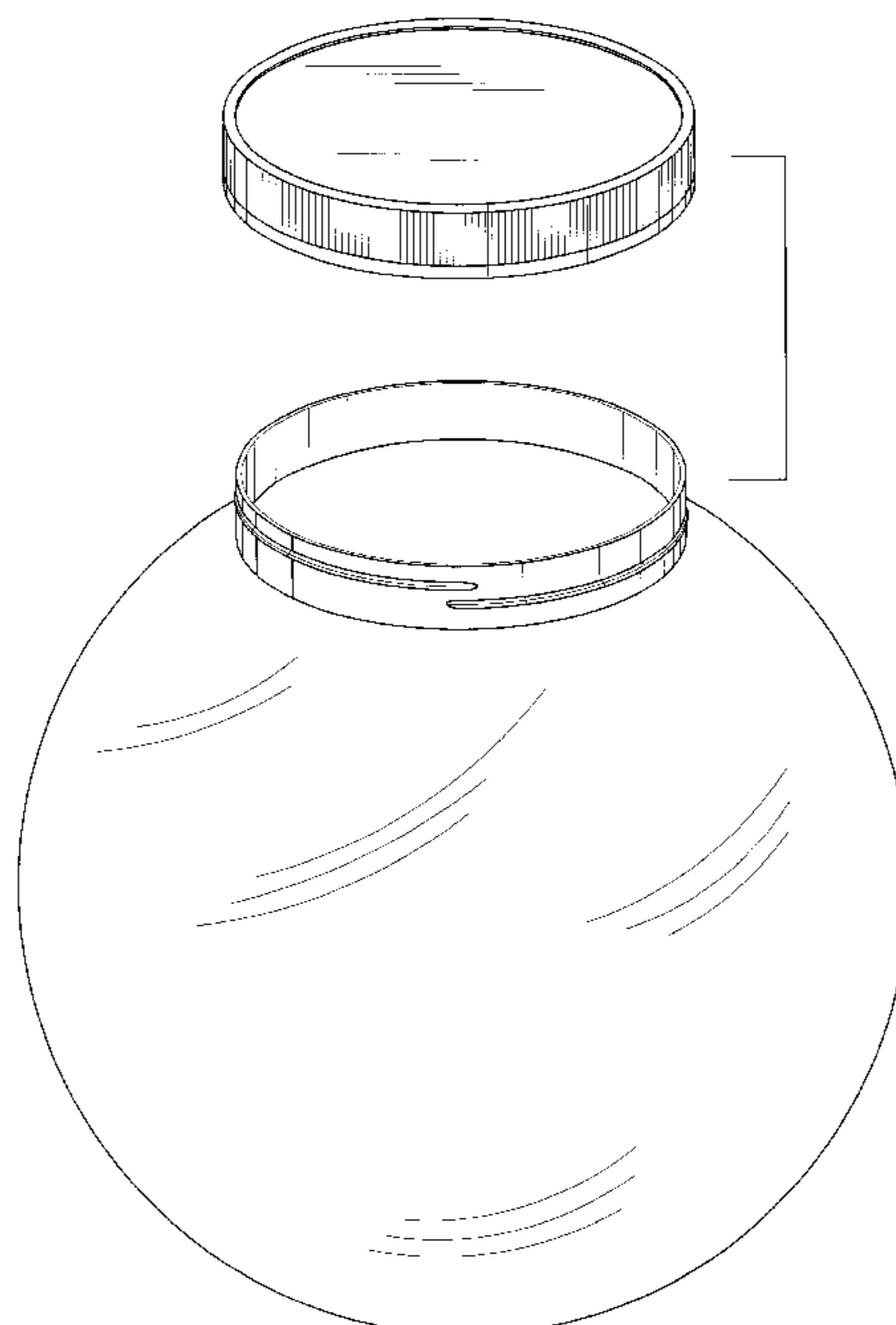
FIG. 8 is a front view of the ball-shaped container of FIG. 1, shown at a reduced scale and with a base ball-simulating surface/cover shown in broken lines;

FIG. 9 is a front view of the ball-shaped container of FIG. 1, shown at a reduced scale and with a soccer ball-simulating surface/cover shown in broken lines; and,

FIG. 10 is a front view of the ball-shaped container of FIG. 1, shown at a reduced scale and with a volleyball-simulating surface/cover shown in broken lines.

The broken line showing in FIGS. 6-10 is for environmental purposes only and forms no part of the claimed design.

**1 Claim, 4 Drawing Sheets**



# US D460,693 S

Page 2

## U.S. PATENT DOCUMENTS

D223,356 S	*	4/1972	Sharp	.....	D9/519	D376,730 S		12/1996	Hurst et al.	
D243,648 S	*	3/1977	Conroy	.....	D7/703	D379,023 S		4/1997	August	
4,164,284 A		8/1979	Witt et al.			D382,473 S		8/1997	Egender	
D253,455 S	*	11/1979	Beene	.....	D9/505	5,662,241 A		9/1997	Sorensen	
D271,173 S		11/1983	Keshishian			D389,734 S		1/1998	Schultz et al.	
D279,643 S	*	7/1985	Jensen	.....	D7/589	D391,155 S		2/1998	Edson et al.	
D284,837 S	*	7/1986	Nilsson	.....	D9/503	D391,451 S		3/1998	Todorya	
D291,179 S	*	8/1987	Frizon	.....	D9/519	D398,188 S		9/1998	Weeks et al.	
D298,105 S		10/1988	Lamantia, Jr.			D399,634 S		10/1998	Wilson et al.	
D304,262 S	*	10/1989	Mays	.....	D3/271	D402,198 S		12/1998	Schultz et al.	
D308,320 S		6/1990	Raucci			D409,904 S		5/1999	Clements et al.	
D319,008 S		8/1991	Leon			D411,442 S		6/1999	Edson et al.	
D323,602 S		2/1992	Katz			D415,929 S		11/1999	D'Arrigo	
D341,774 S		11/1993	Felz			D416,770 S		11/1999	Thorpe	
5,294,764 A		3/1994	Mass			D416,799 S		11/1999	Adams	
D348,762 S		7/1994	Burgos			D419,389 S		1/2000	Hansen	
D350,630 S	*	9/1994	Smith	.....	D32/1	D420,861 S		2/2000	Hansen	
D354,882 S	*	1/1995	Hurst et al.	.....	D7/515	6,041,918 A		3/2000	Moore	
D359,655 S		6/1995	Hurst et al.			D424,375 S		5/2000	D'Arrigo	
5,503,296 A		4/1996	DiBaggio			D424,928 S		5/2000	Caldwell	
D370,391 S		6/1996	Bauer et al.			D425,757 S		5/2000	Printz et al.	
D371,934 S		7/1996	Cwirko			D441,871 S	*	5/2001	Fedale	..... D24/197

\* cited by examiner

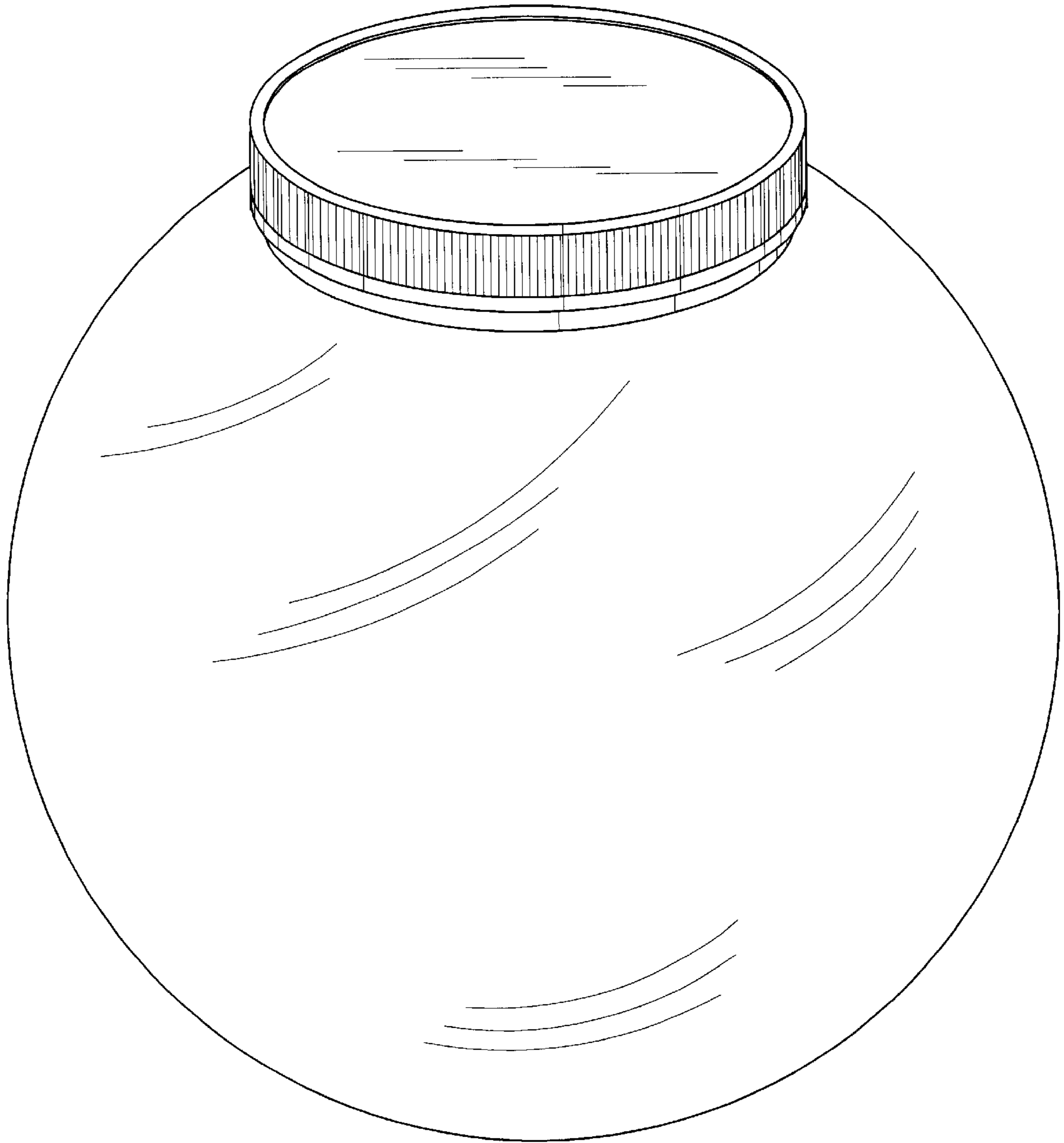


FIG. 1

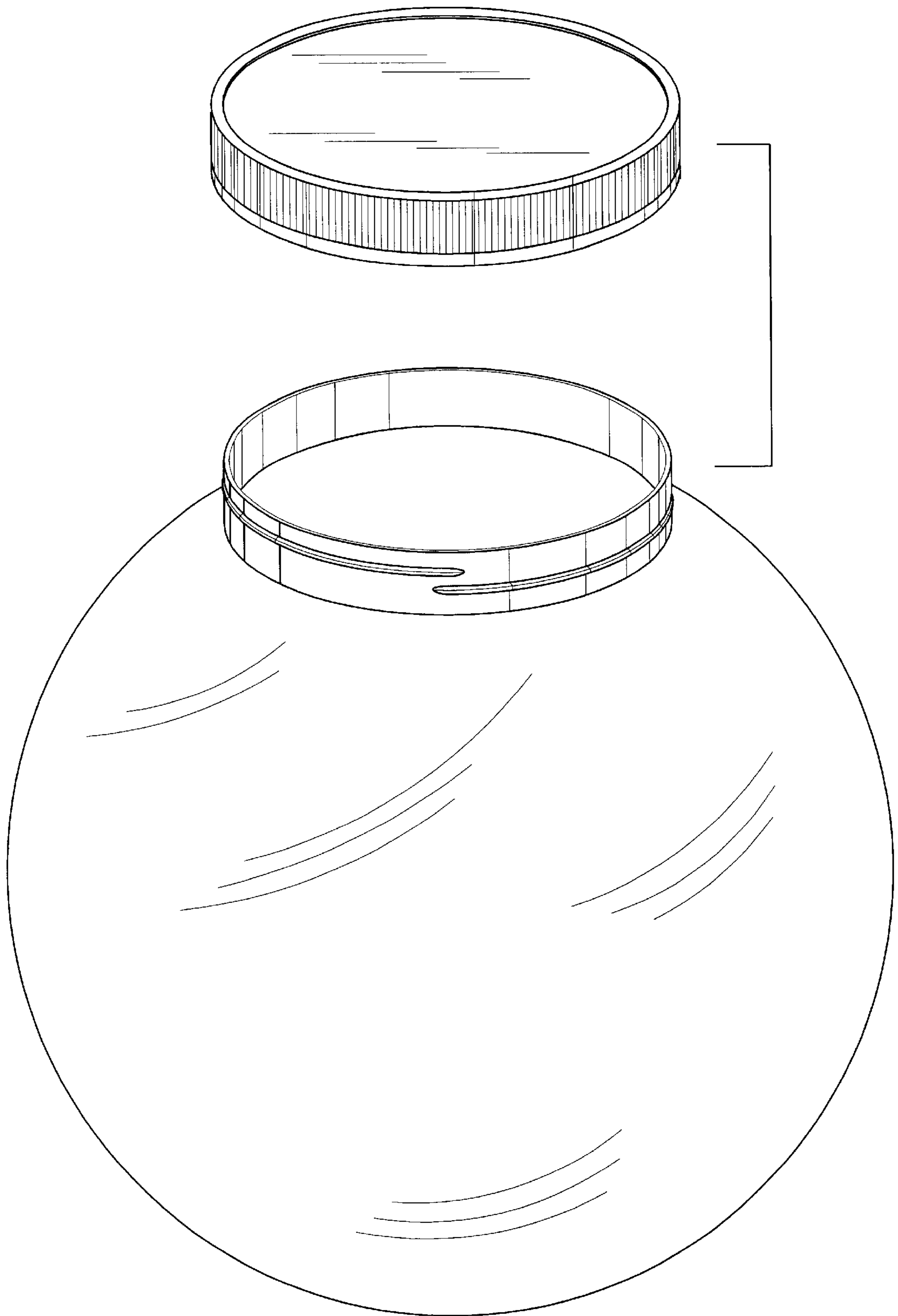


FIG. 2

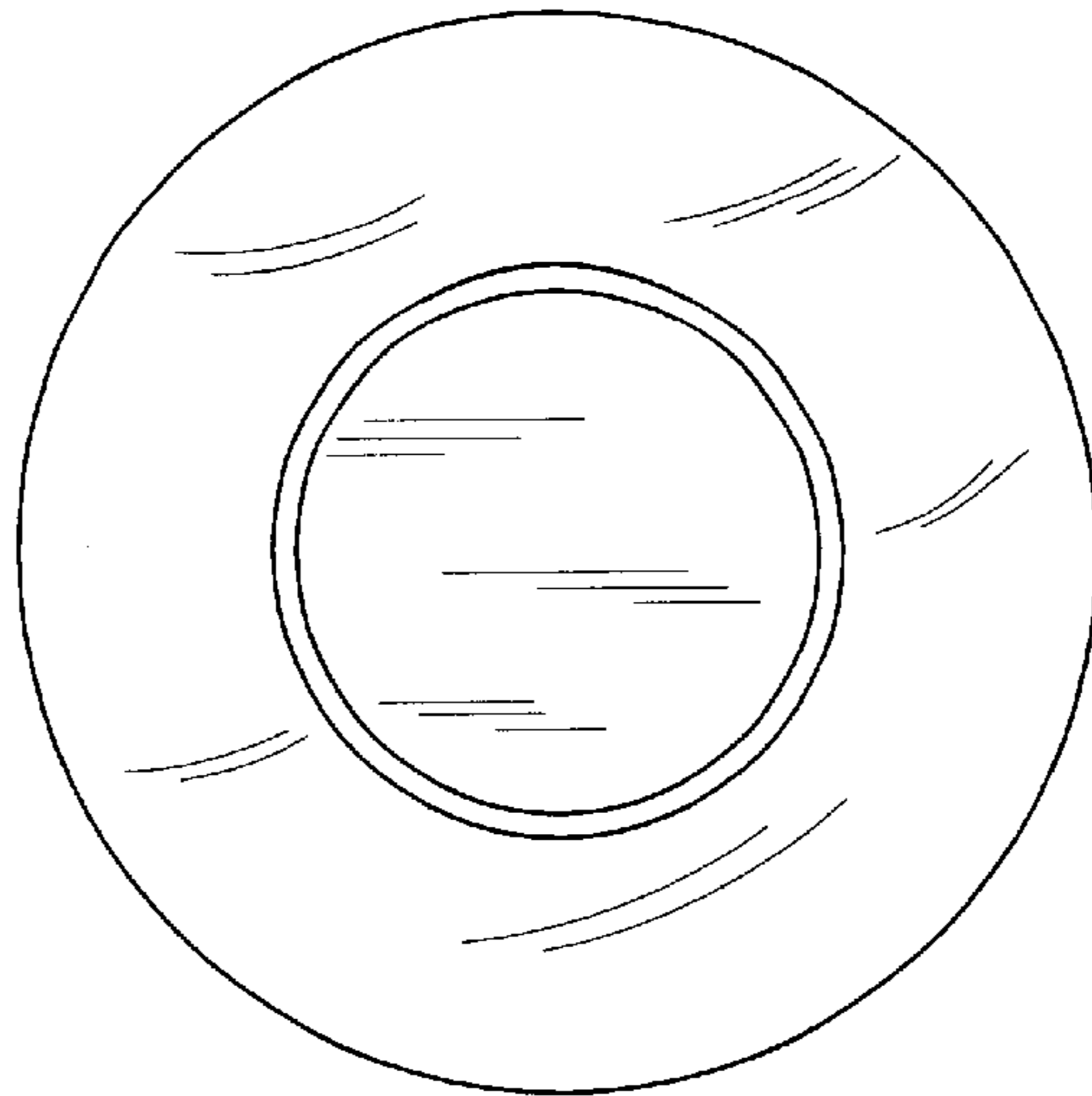


FIG. 4

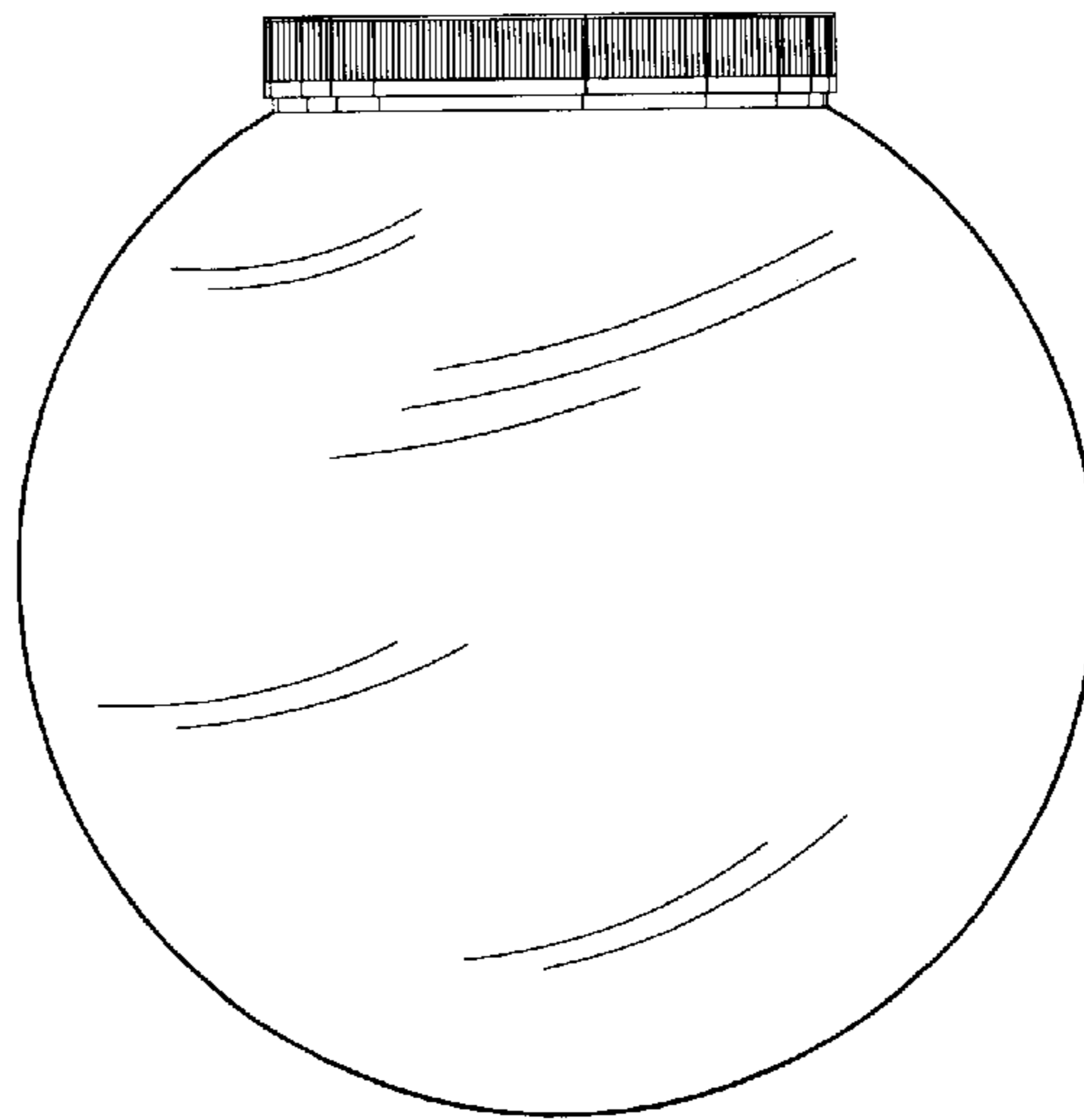


FIG. 3

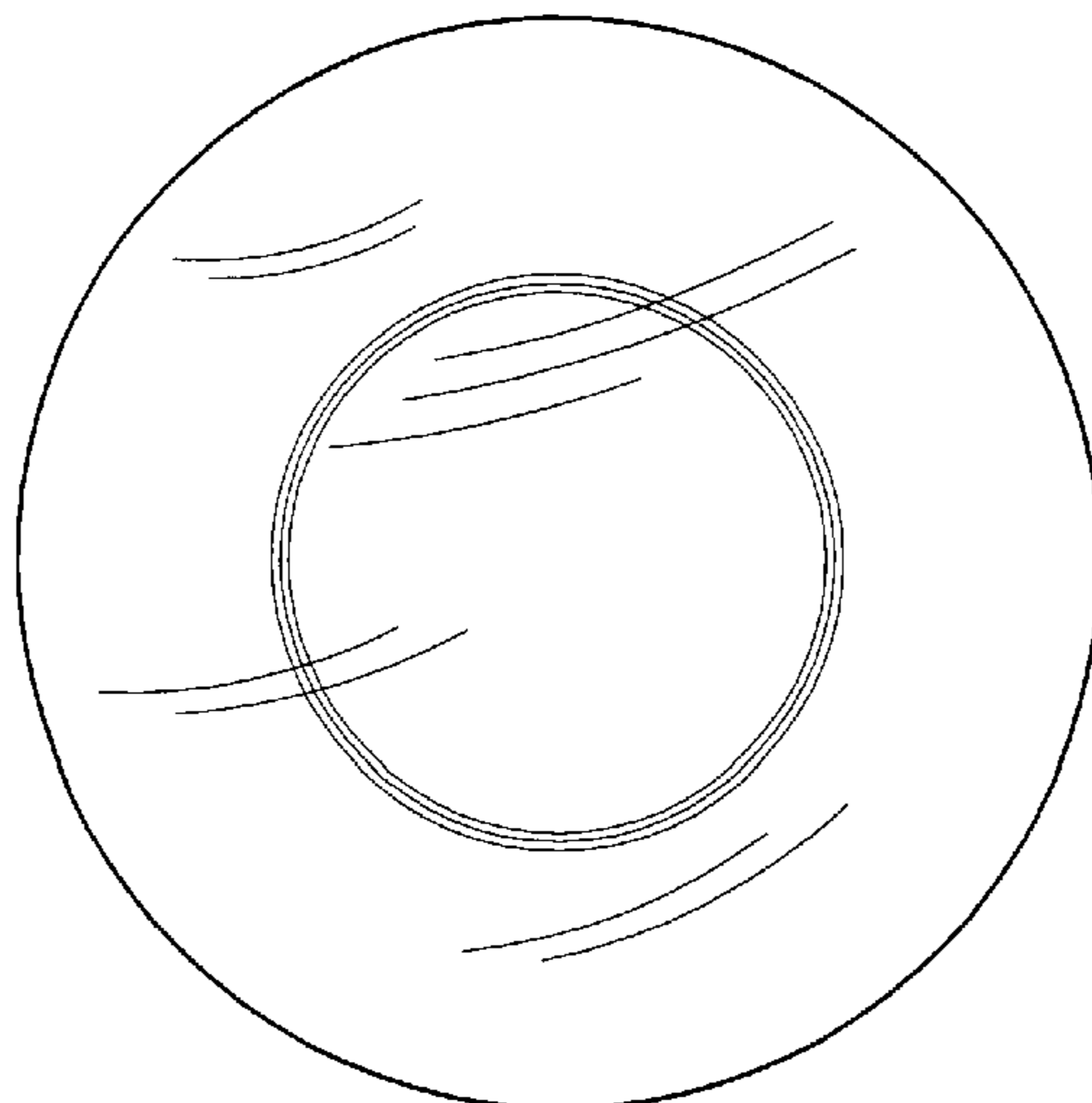


FIG. 5



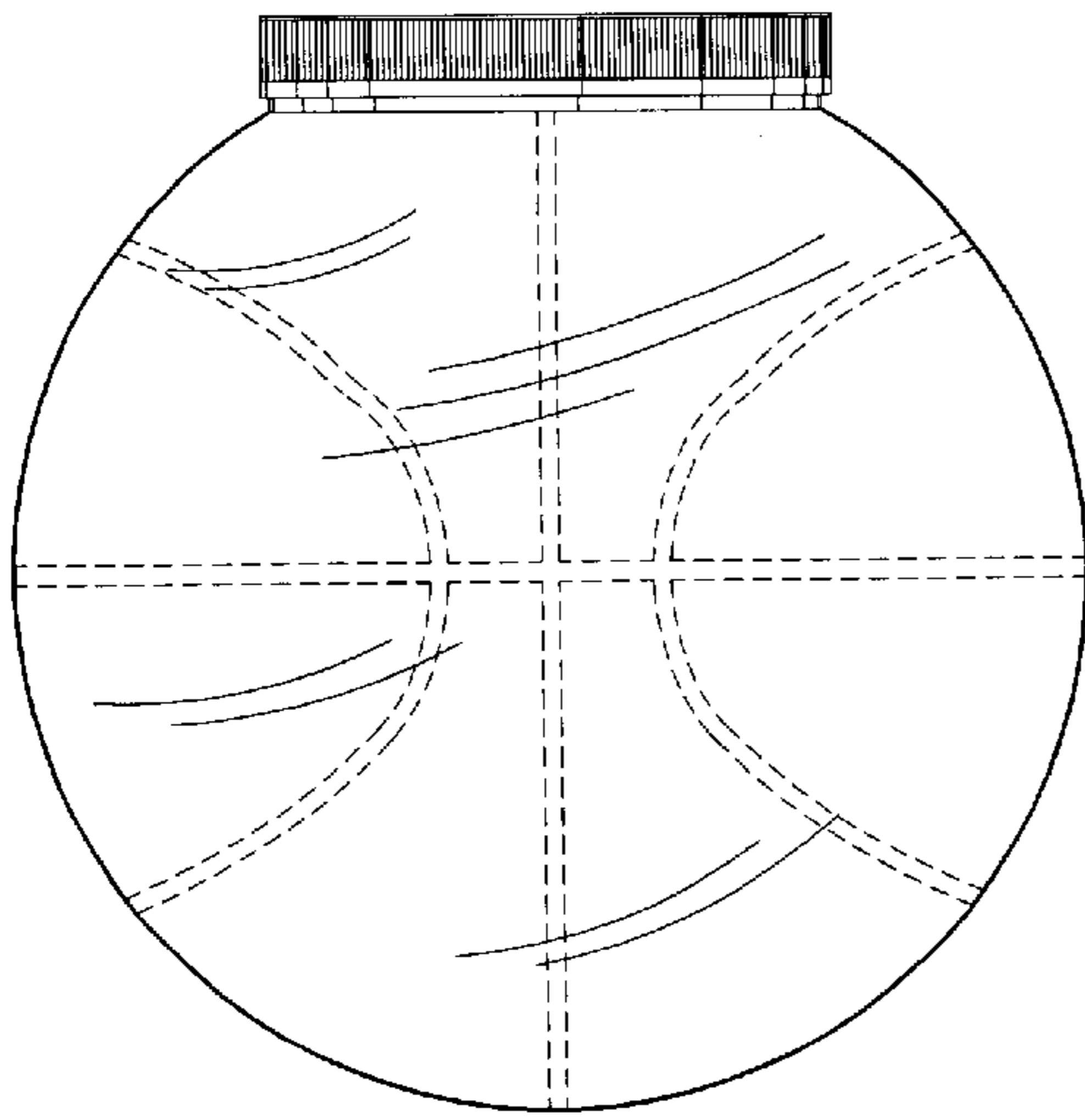


FIG. 6

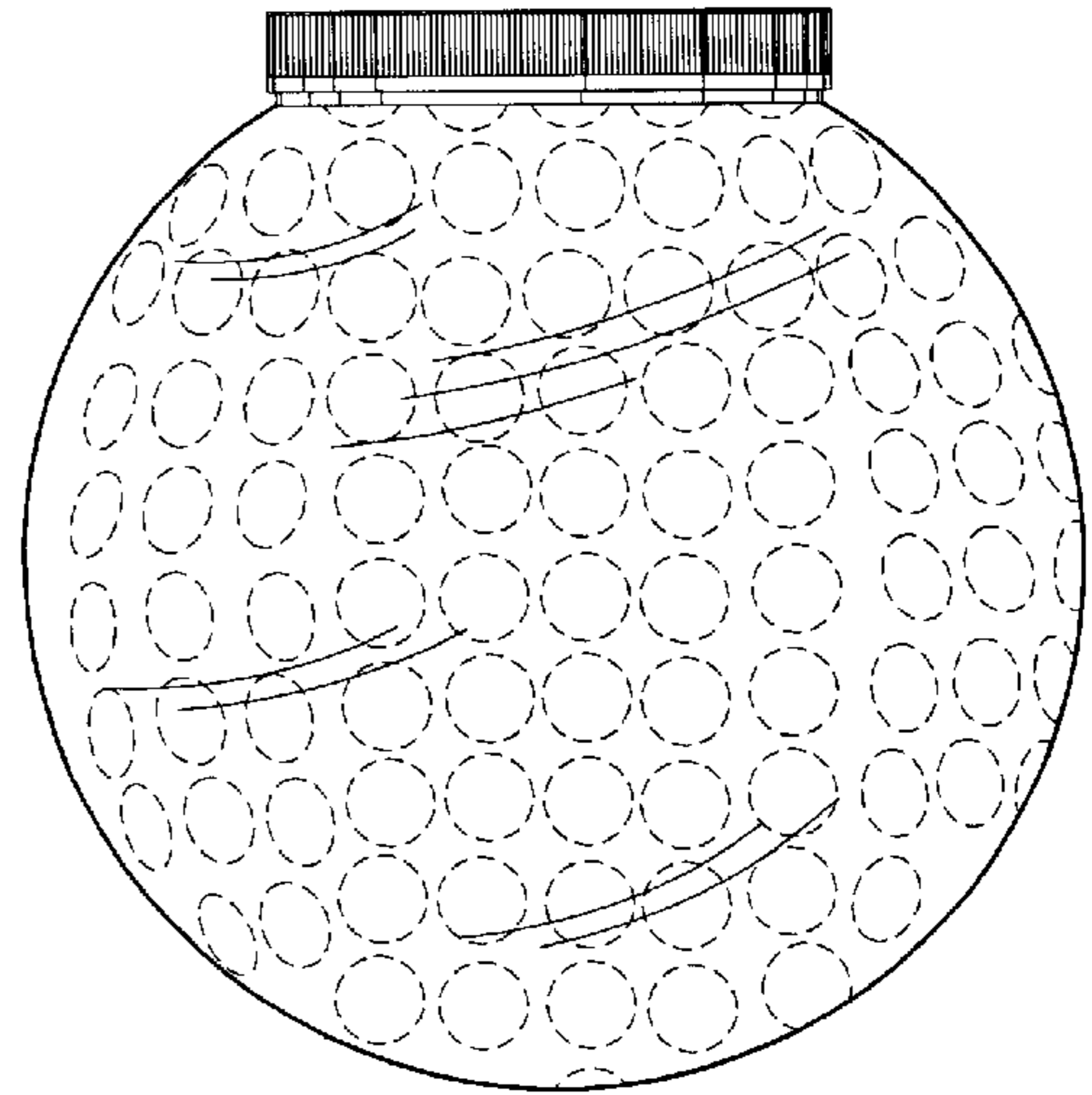


FIG. 7

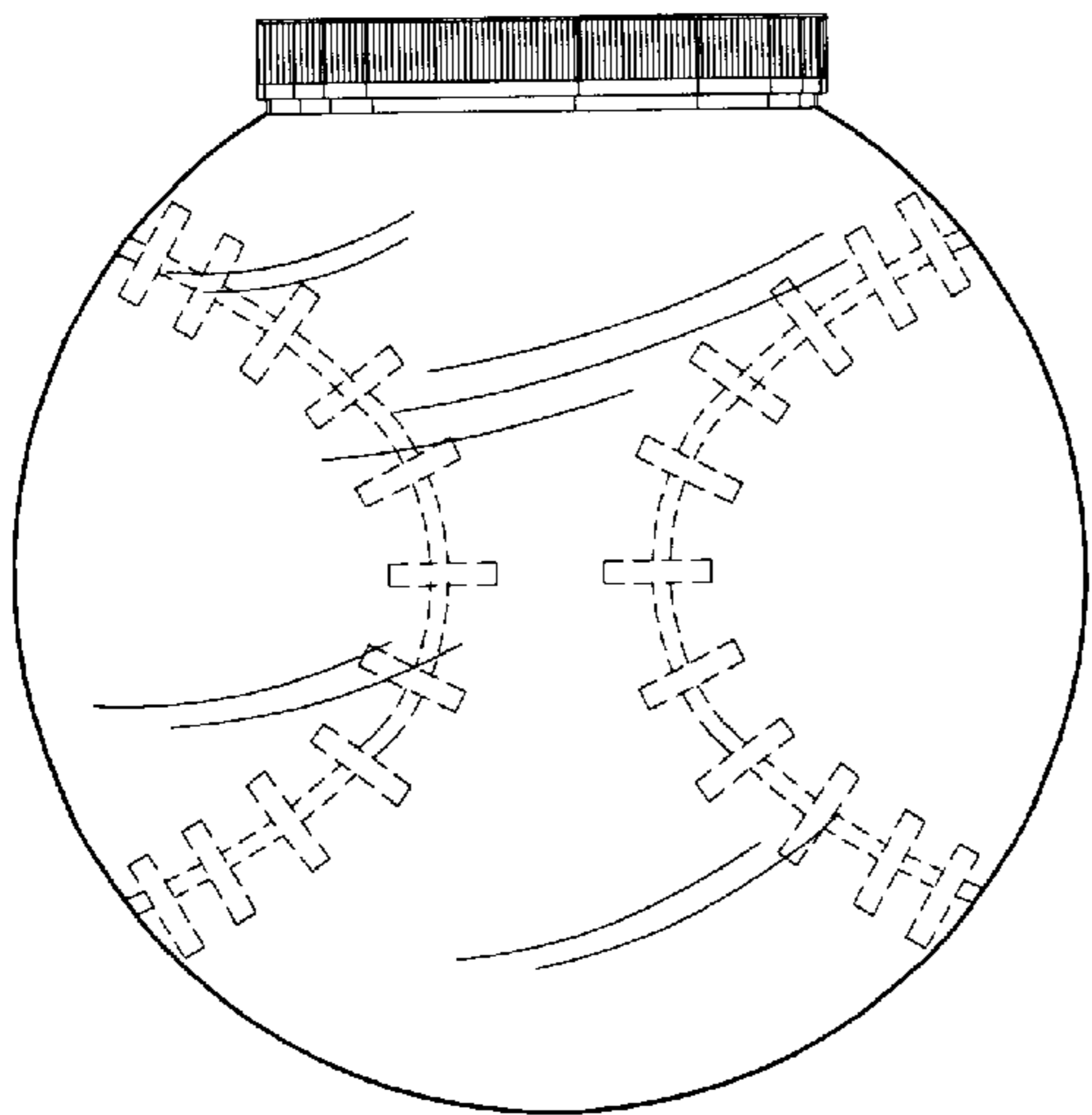


FIG. 8

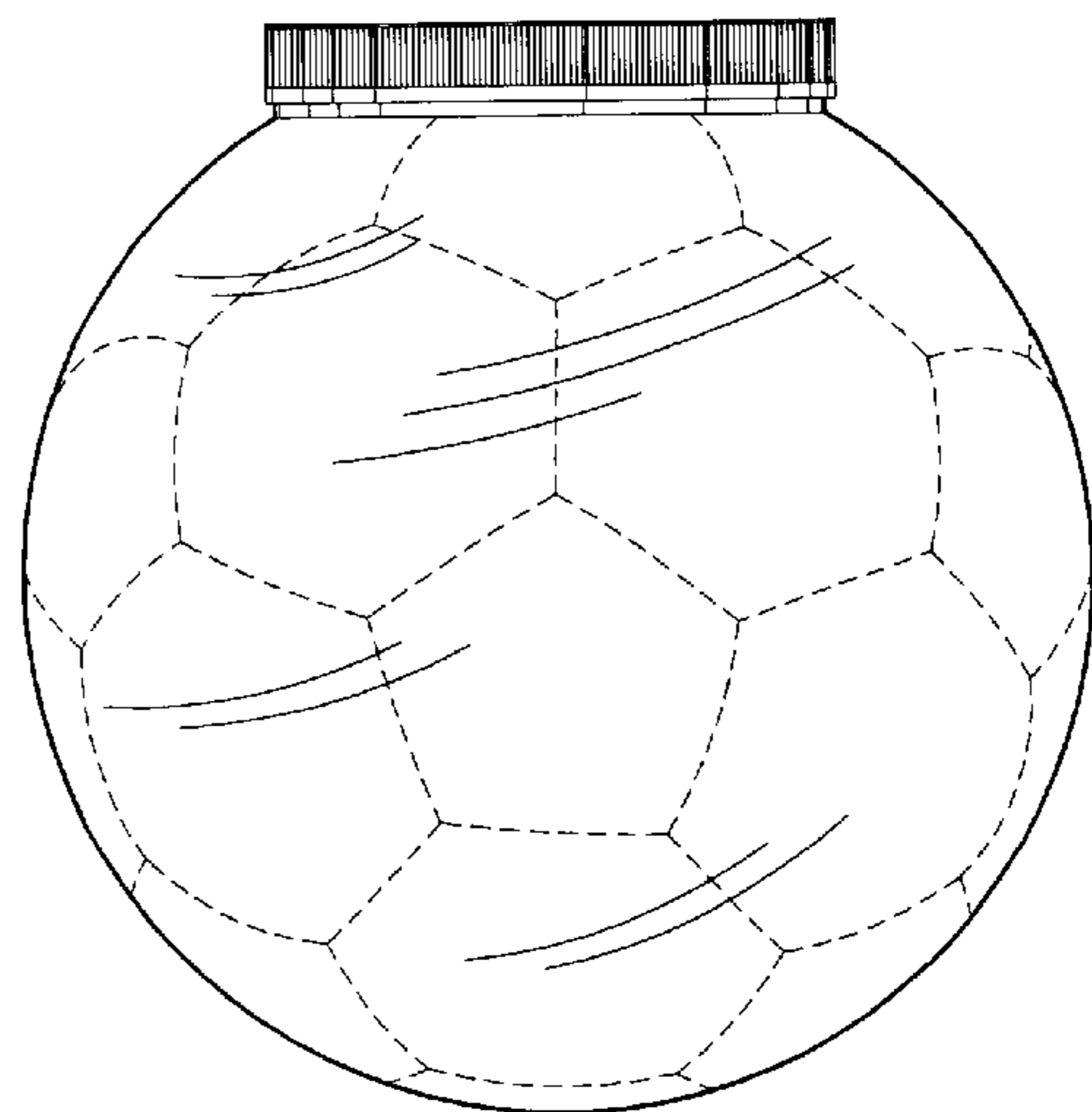


FIG. 9

FIG. 10

