



US00D460692S

(12) **United States Design Patent**  
**Cumberbatch**

(10) **Patent No.:** **US D460,692 S**

(45) **Date of Patent:** **\*\* Jul. 23, 2002**

(54) **CONTAINER**

(75) **Inventor:** **Cynthia D. Cumberbatch**, No. 87,  
Durants Golf Course, Durants Green,  
Christ Church (BB)

(73) **Assignee:** **Cynthia D. Cumberbatch**, Durants  
Green (BB)

(\*\*) **Term:** **14 Years**

(21) **Appl. No.:** **29/146,745**

(22) **Filed:** **Aug. 15, 2001**

(51) **LOC (7) Cl.** ..... **09-01**

(52) **U.S. Cl.** ..... **D9/500**

(58) **Field of Search** ..... D9/500, 502-504,  
D9/516, 529, 549, 530, 558, 575, 574,  
443, 454; D7/612-615; 215/375, 376, 381-385,  
396, 398, 400; 220/369; 222/206

(56) **References Cited**

**U.S. PATENT DOCUMENTS**

D28,413 S	*	3/1898	Taite	.....	D9/504
D118,920 S	*	2/1940	Trevisan	.....	D9/504
D184,461 S	*	2/1959	Sherman	.....	D9/505
2,913,140 A	*	11/1959	Vuilleminot	.....	220/60
D217,438 S	*	5/1970	Balbach et al.	.....	D9/504

3,578,467 A	*	5/1971	Huber	.....	220/29
4,162,010 A	*	7/1979	Hovsepian	.....	206/229
D254,180 S	*	2/1980	Morin	.....	D7/612
D254,241 S	*	2/1980	Morin	.....	D7/612
D276,684 S	*	12/1984	Sublett	.....	D7/612
D324,997 S	*	3/1992	Jones	.....	D9/529
D350,837 S	*	9/1994	Kirby	.....	D28/82
D367,423 S	*	2/1996	Stanley	.....	D9/424
D403,470 S	*	12/1998	Litton et al.	.....	D28/82
D409,086 S	*	5/1999	Brown et al.	.....	D9/428
H1855 H	*	8/2000	Litton et al.	.....	D28/82
D432,750 S	*	10/2000	Rashid	.....	D32/55

\* cited by examiner

*Primary Examiner*—Ted Shooman

*Assistant Examiner*—Carol Rademaker

(74) *Attorney, Agent, or Firm*—Gottlieb, Rackman &  
Reisman, P.C.

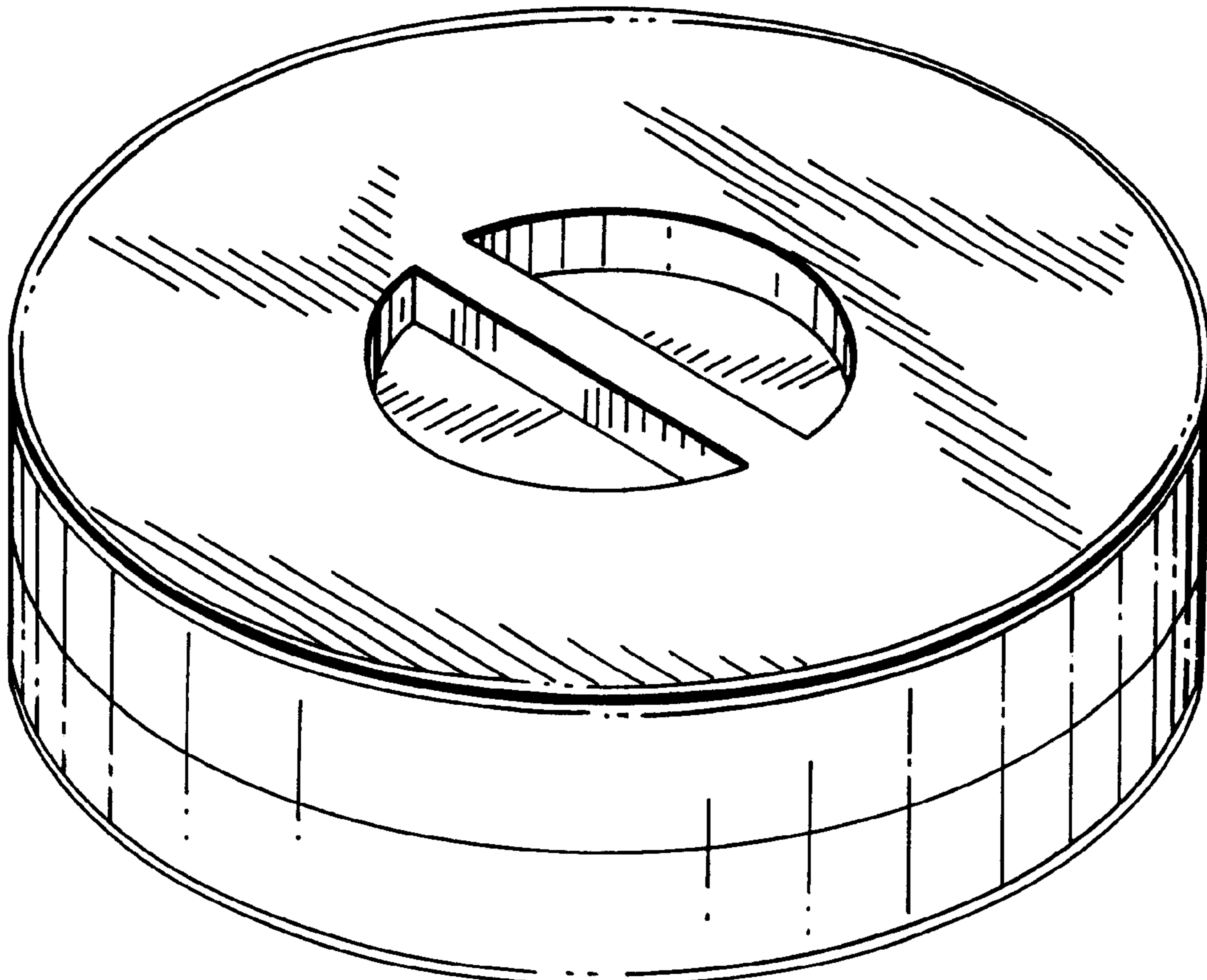
(57) **CLAIM**

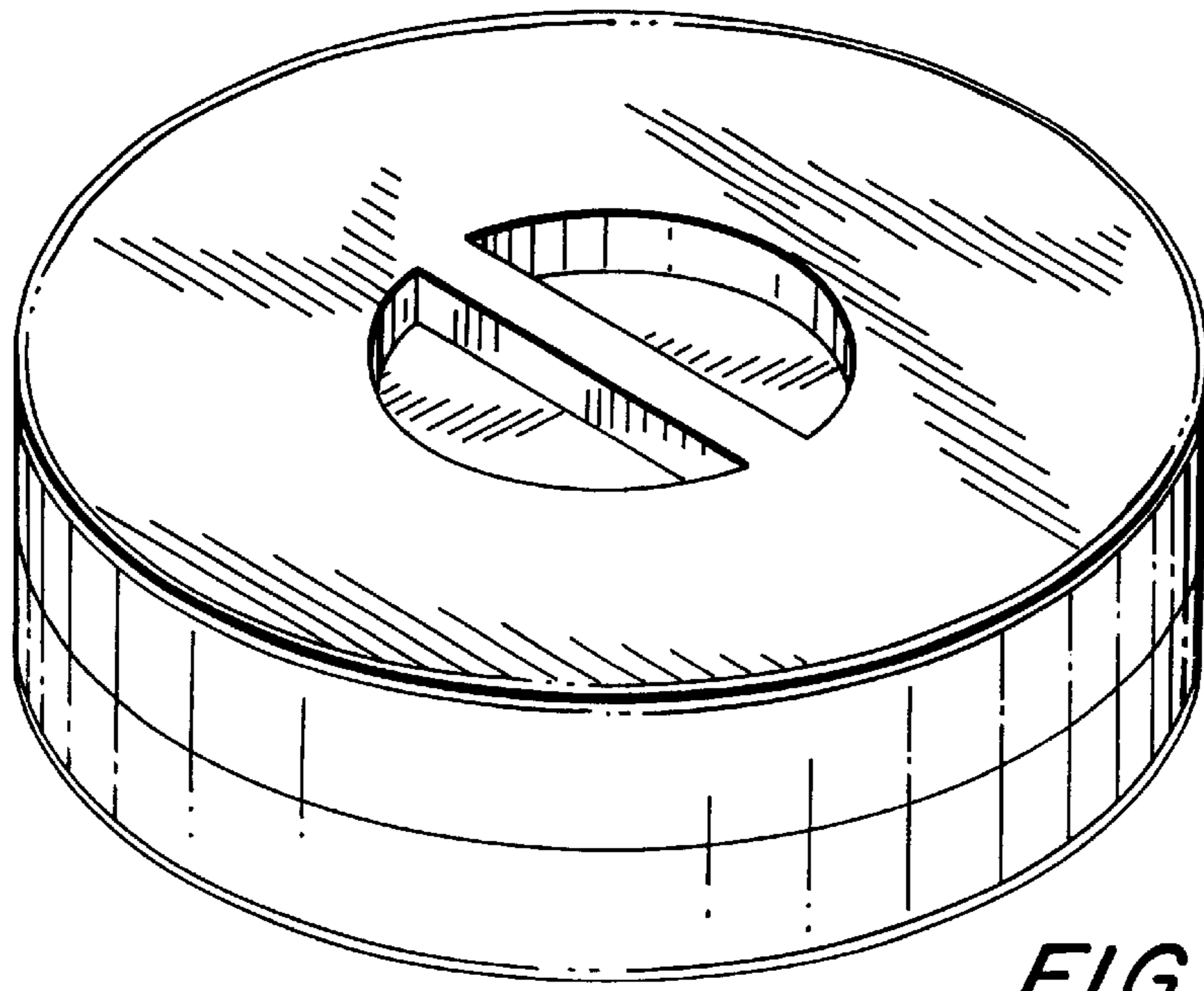
The ornamental design for a container, as shown and  
described.

**DESCRIPTION**

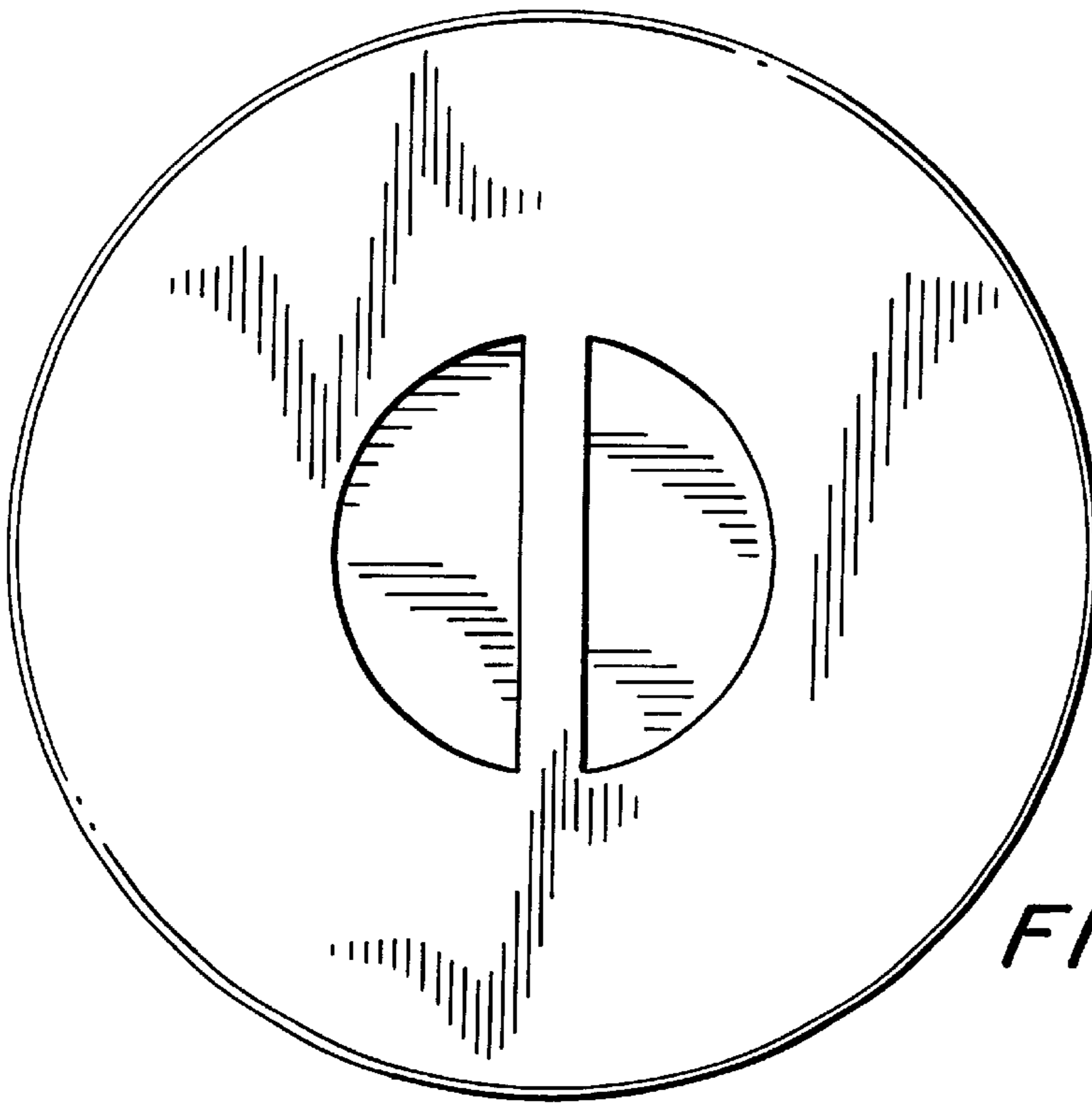
FIG. 1 is a perspective view thereof;  
FIG. 2 is a top plan view thereof; and,  
FIG. 3 is a side elevational view thereof.

**1 Claim, 1 Drawing Sheet**

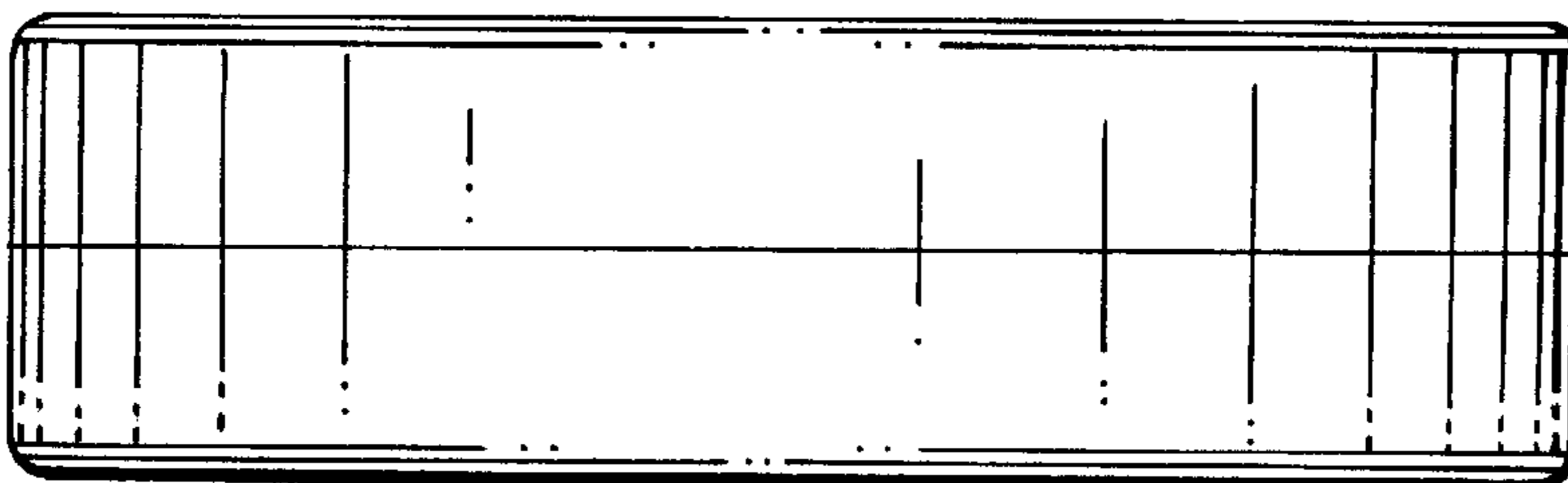




*FIG. 1*



*FIG. 2*



*FIG. 3*