

US00D460683S

(12) **United States Design Patent**
Ou-Young

(10) **Patent No.:** **US D460,683 S**

(45) **Date of Patent:** **** Jul. 23, 2002**

(54) **ROBE HOOK**

(75) Inventor: **Ming Ou-Young, Tai Chung (TW)**

(73) Assignee: **Globe Union America Corporation,**
Bolingbrook, IL (US)

(**) Term: **14 Years**

D363,183 S	10/1995	Starck	
D363,630 S	10/1995	Starck	
D397,256 S	* 8/1998	Moore et al. D6/323
D417,112 S	* 11/1999	Chen D6/546
D426,390 S	* 6/2000	Green et al. D6/323
D427,471 S	7/2000	Chen	
D436,452 S	* 1/2001	Gastélum et al. D6/323
D442,073 S	* 5/2001	Lyndon D8/367

* cited by examiner

(21) Appl. No.: **29/136,929**

(22) Filed: **Feb. 9, 2001**

(51) **LOC (7) Cl.** **08-01**

(52) **U.S. Cl.** **D8/367; D6/323**

(58) **Field of Search** D6/524, 553, 567,
D6/323, 316, 320, 546; D8/367, 350, 352;
248/304, 309.1; 211/87.01, 106.01

Primary Examiner—Brian N. Vinson
(74) *Attorney, Agent, or Firm*—Brinks Hofer Gilson & Lione

(57) **CLAIM**

The ornamental design for a robe hook, as shown and described.

(56) **References Cited**

U.S. PATENT DOCUMENTS

D267,455 S	* 1/1983	Cohen D8/367
D281,838 S	* 12/1985	Thompson D6/323
D298,895 S	12/1988	Sharpe	
D318,590 S	* 7/1991	McKeone D6/524
D330,636 S	* 11/1992	Sharpe D6/323
D361,460 S	8/1995	Warshawsky	

DESCRIPTION

FIG. 1 is a perspective view showing our new design.
FIG. 2 is a top view thereof.
FIG. 3 is a front view thereof.
FIG. 4 is a side view thereof; and,
FIG. 5 is a back view thereof.

1 Claim, 1 Drawing Sheet

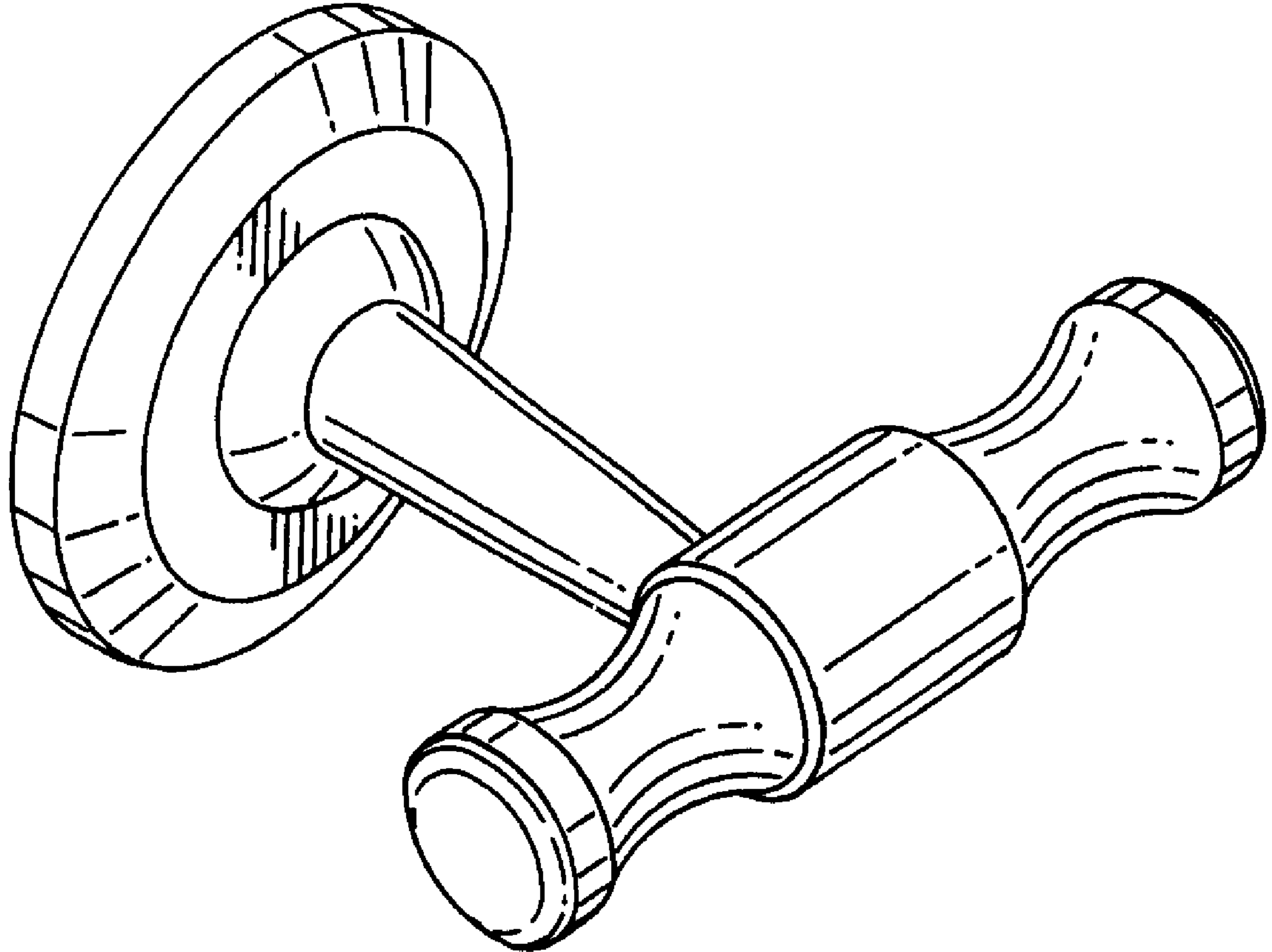


FIG. 1

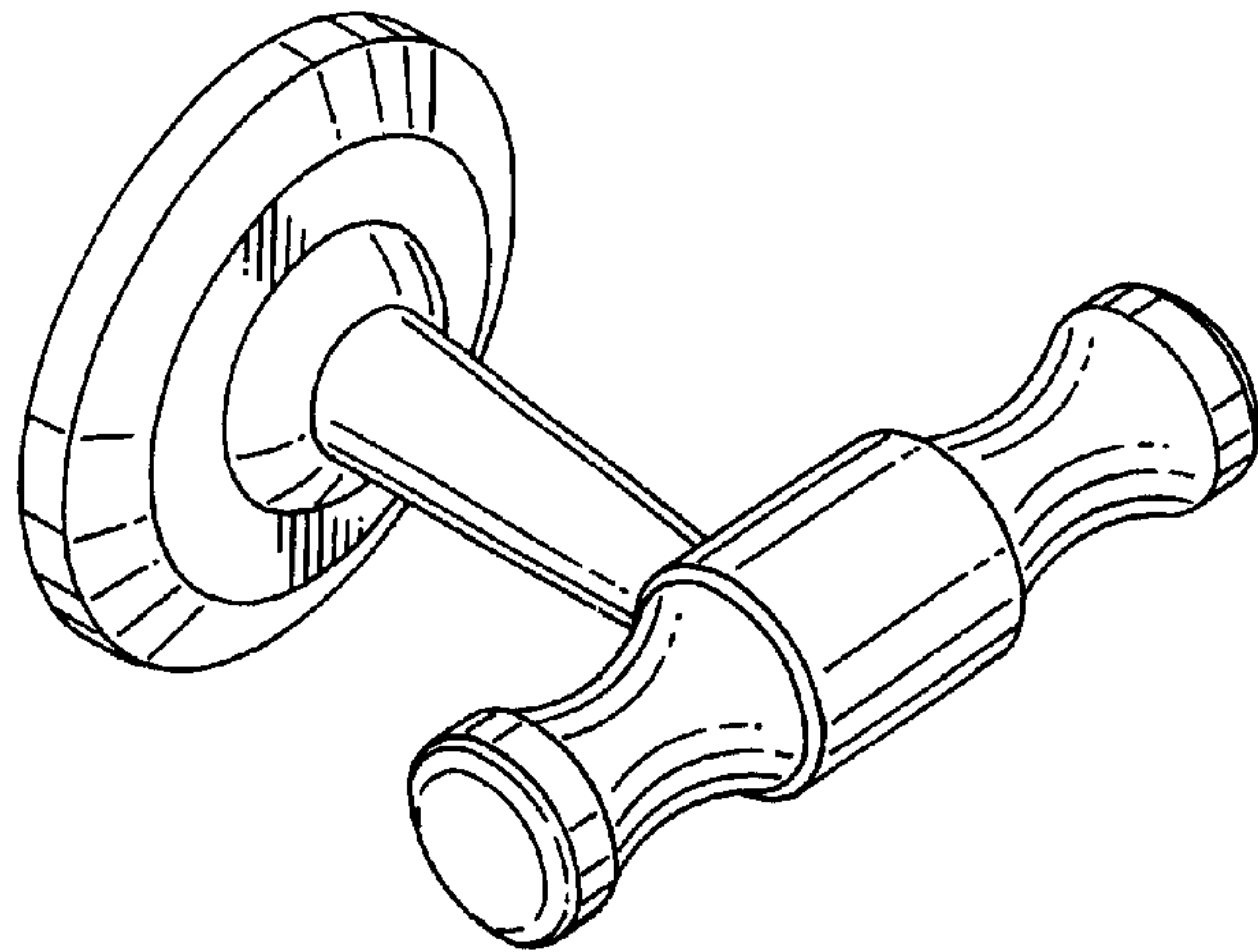


FIG. 2

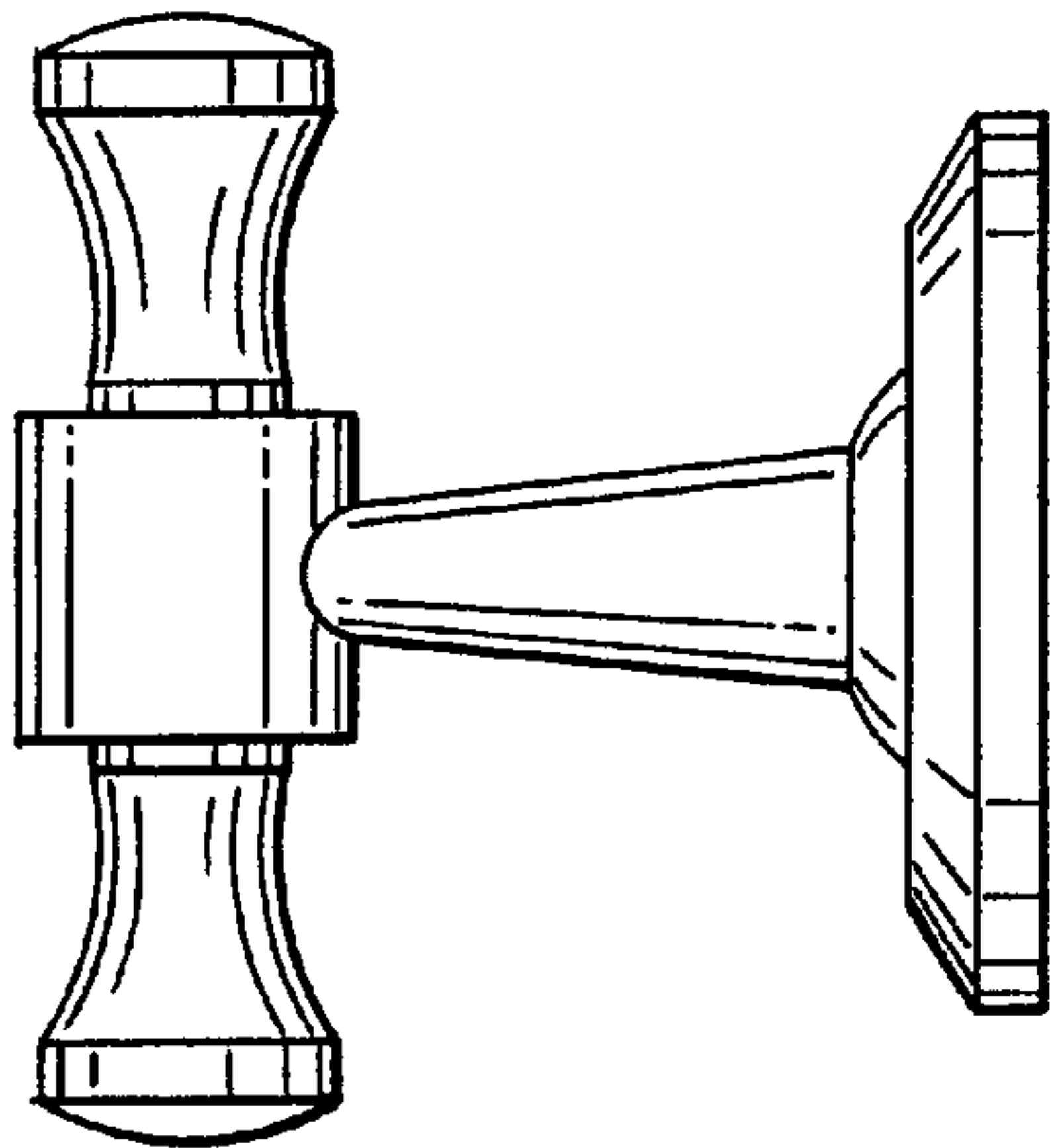


FIG. 3

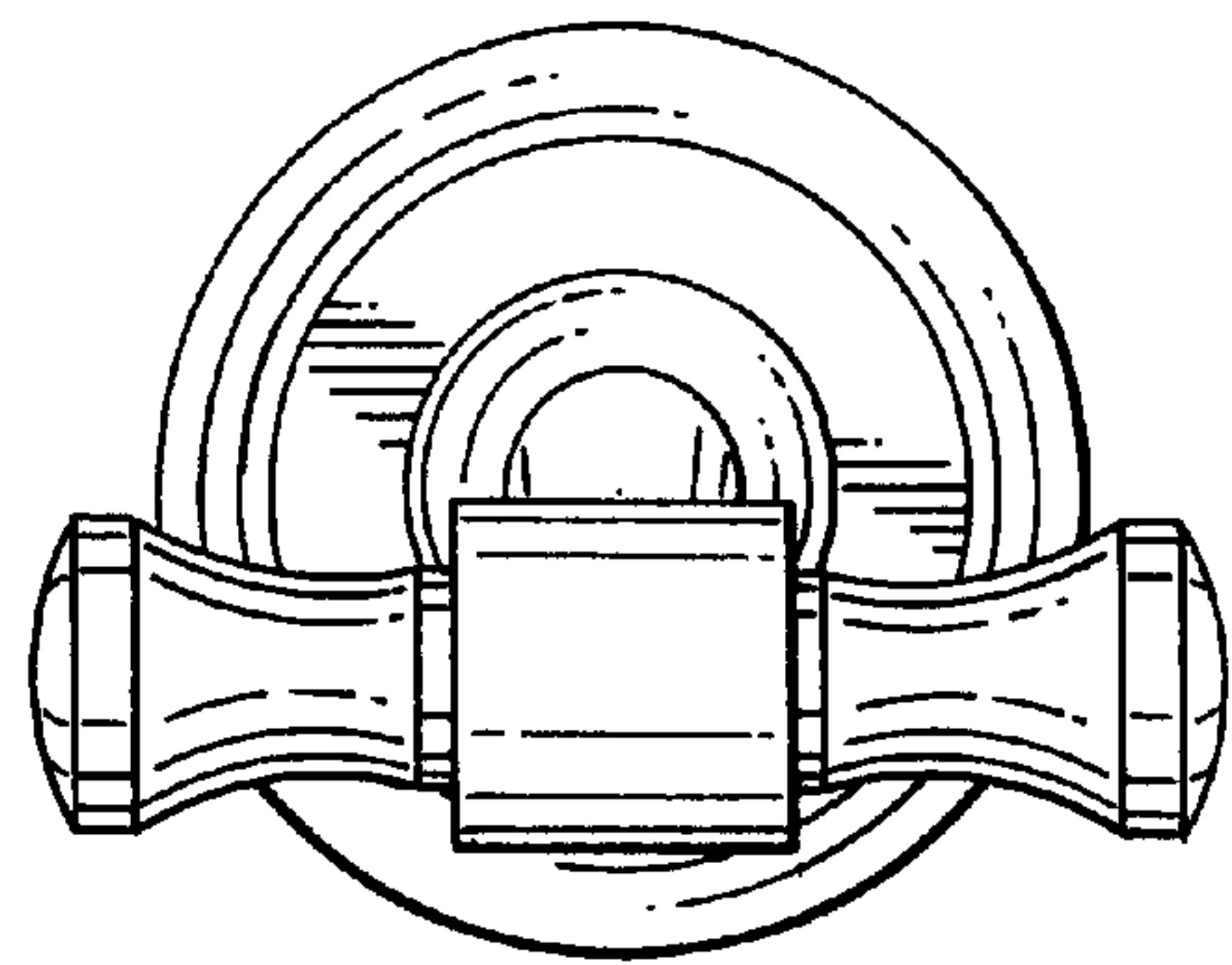


FIG. 4

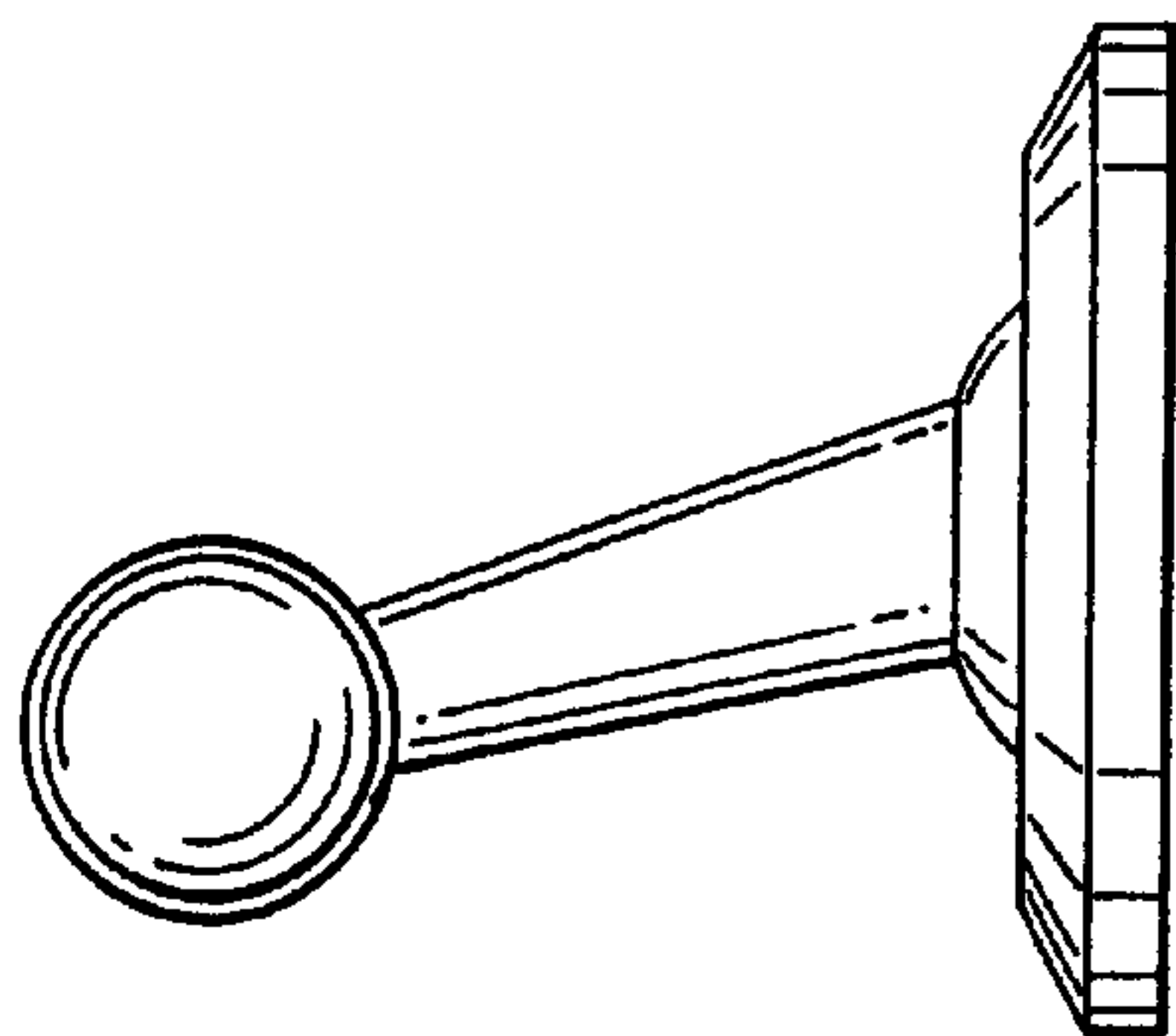
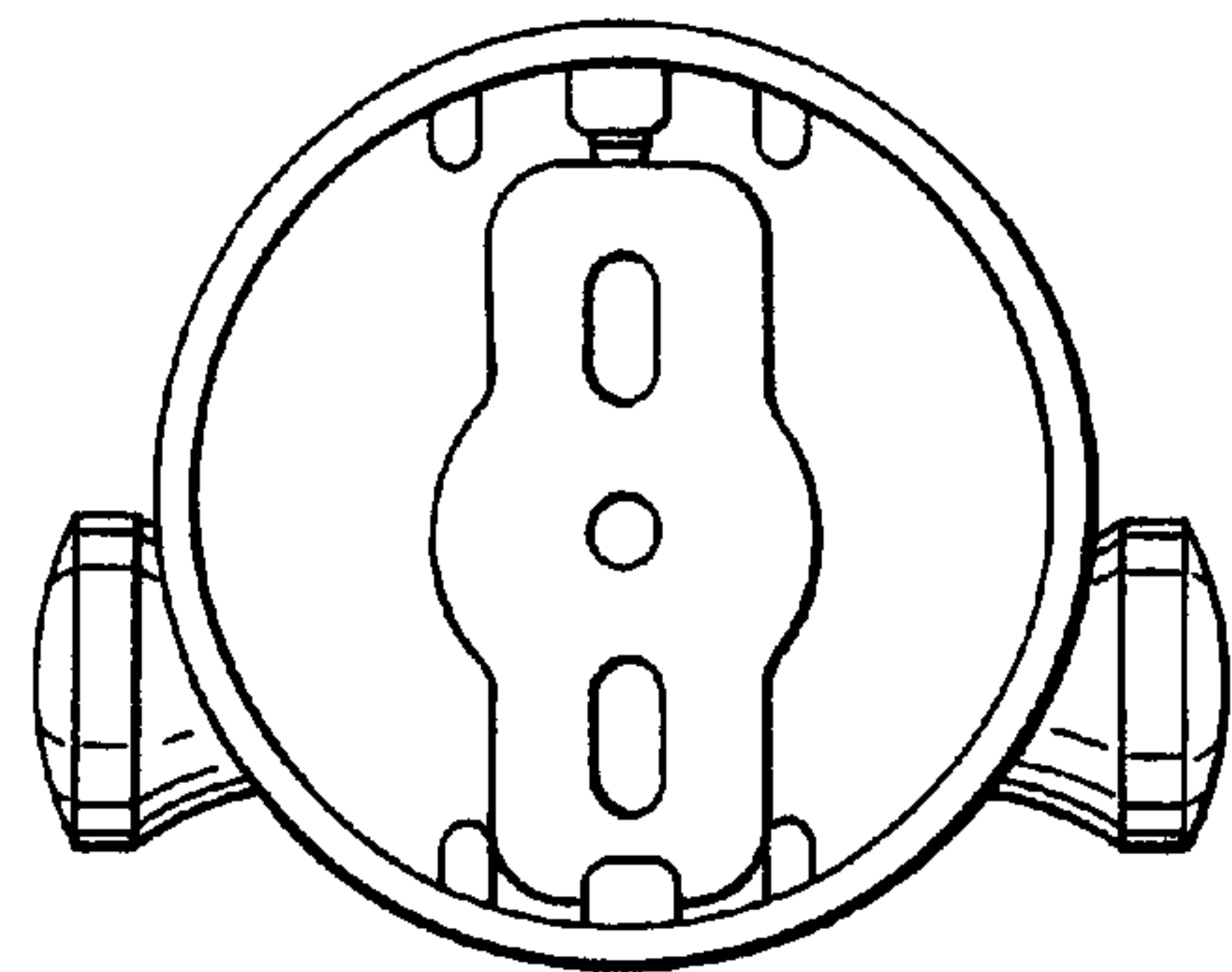


FIG. 5



UNITED STATES PATENT AND TRADEMARK OFFICE
Certificate

Patent No. D 460,683 S

Patented: July 23, 2002

On petition requesting issuance of a certificate for correction of inventorship pursuant to 35 U.S.C. 256, it has been found that the above identified patent, through error and without any deceptive intent, improperly sets forth the inventorship.

Accordingly, it is hereby certified that the correct inventorship of this patent is: Kuo-Chi Yen, Taichung, Taiwan.

Signed and Sealed this Fourteenth Day of October 2003.

ALAN P. DOUGLAS
Supervisory Patent Examiner
Art Unit 2911