



US00D460677S

(12) **United States Design Patent**
Proot et al.

(10) **Patent No.:** **US D460,677 S**

(45) **Date of Patent:** **** Jul. 23, 2002**

(54) **HANDLE FOR A LUGGAGE CASE**

(75) Inventors: **Bart Proot; Dirk Santy**, both of
Koekelare; **Clemens Van Himbeeck**,
Ronse, all of (BE)

(73) Assignee: **Samsonite Corporation**, Denver, CO
(US)

(**) Term: **14 Years**

(21) Appl. No.: **29/124,029**

(22) Filed: **May 26, 2000**

(51) **LOC (7) Cl.** **08-06**

(52) **U.S. Cl.** **D8/301; D8/317**

(58) **Field of Search** D8/300, 306, 315-320,
D8/301; D3/276, 281, 282, 291, 318; 190/115-8;
16/114.1, 405, 406, 408-411, 430, 436,
438

(56) **References Cited**

U.S. PATENT DOCUMENTS

1,808,890 A * 6/1931 Grant

D127,782 S * 6/1941 Aldeen

D260,362 S * 8/1981 Davis

D419,853 S * 2/2000 Workman et al.

* cited by examiner

Primary Examiner—B. J. Bullock

(74) *Attorney, Agent, or Firm*—Gregory W. O'Connor

(57) **CLAIM**

The ornamental design for a handle for a luggage case, as shown and described.

DESCRIPTION

FIG. 1 is a perspective view of the handle for a luggage case embodying our new design.

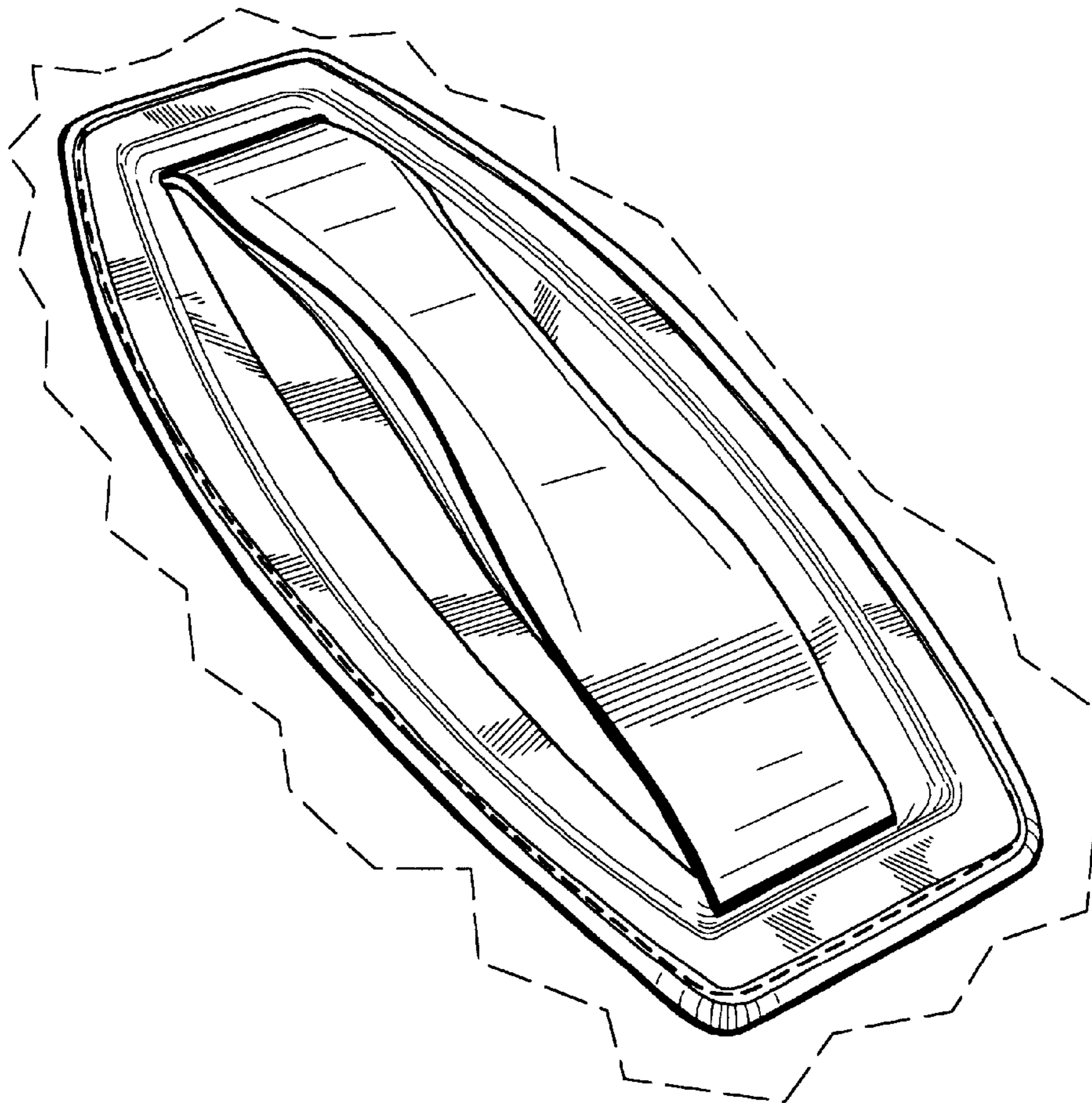
FIG. 2 is a front view of the handle shown in FIG. 1, the rear view being a mirror image thereof.

FIG. 3 is a top view thereof; and,

FIG. 4 is a right end view thereof, the left end view being a mirror image thereof.

We make no claim to the design of the bottom view of the handle. The broken lines shown in the figures show a portion of the luggage case wall and form no part of our design.

1 Claim, 2 Drawing Sheets



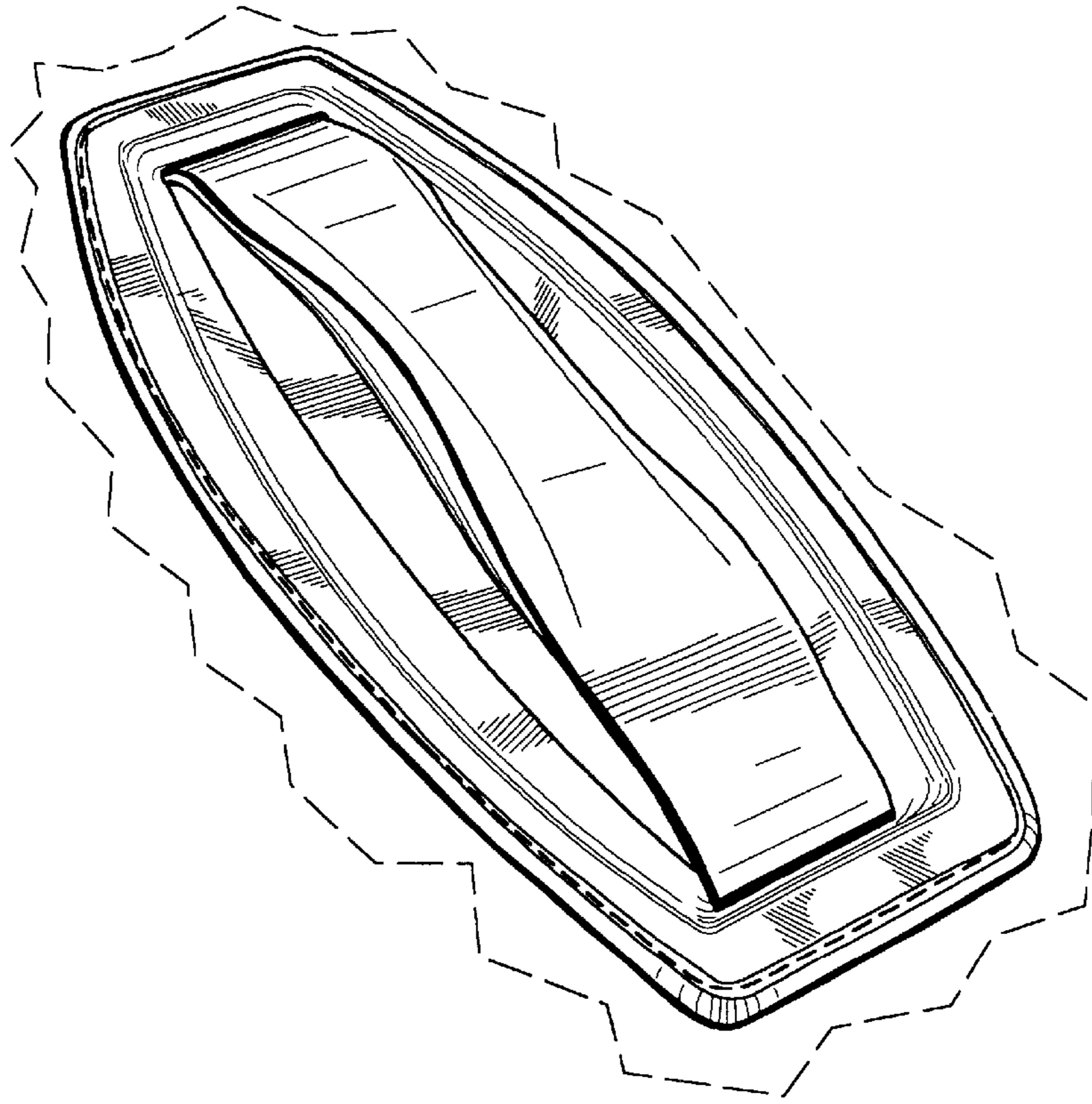


Figure 1

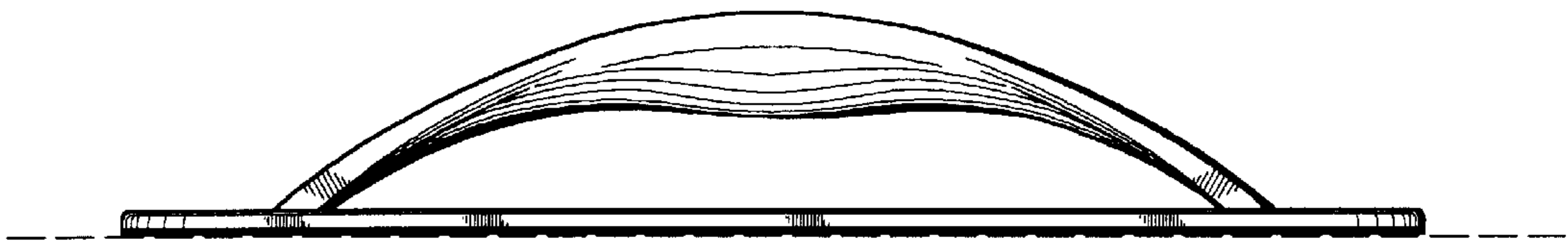


Figure 2

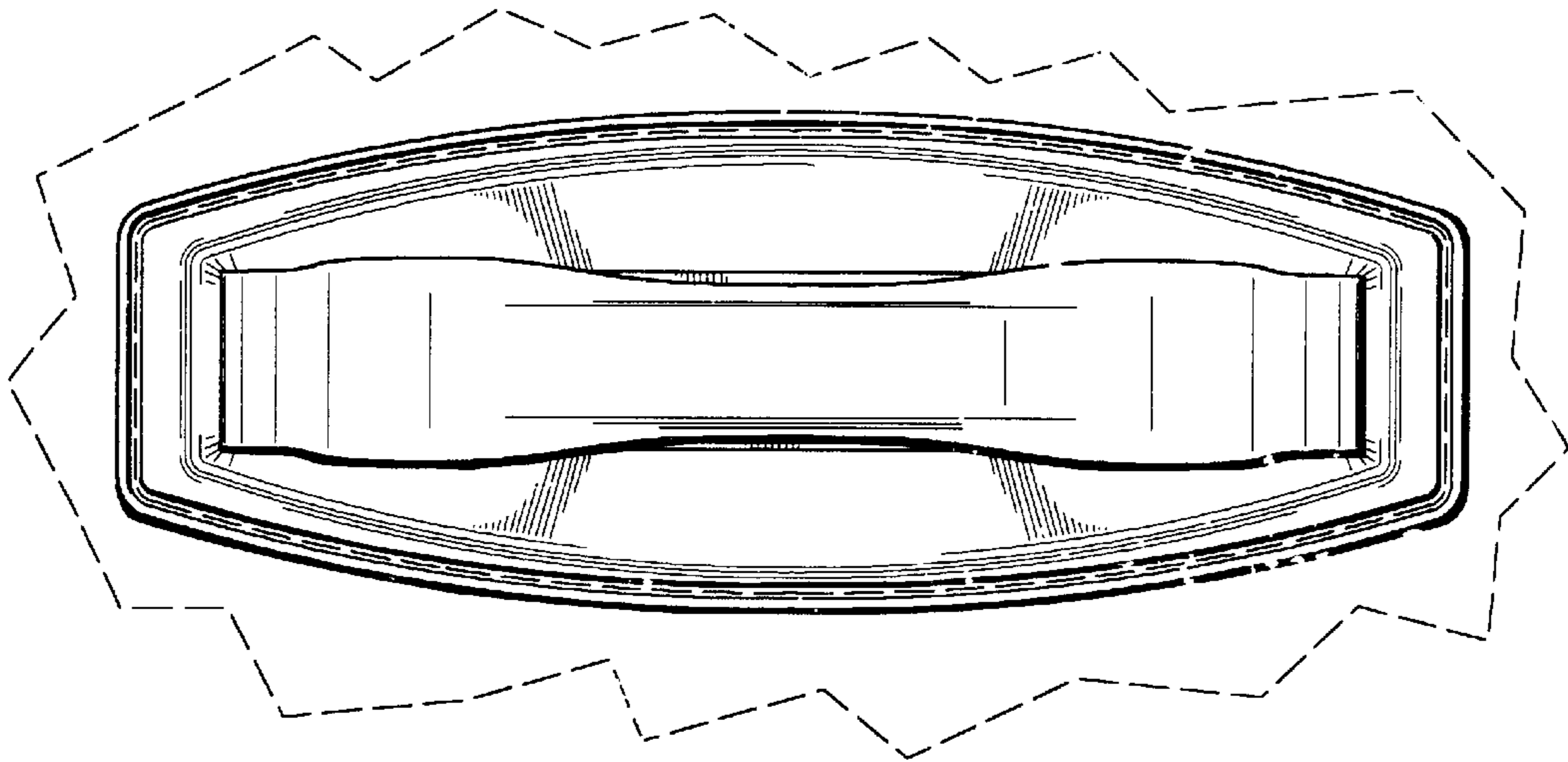


Figure 3

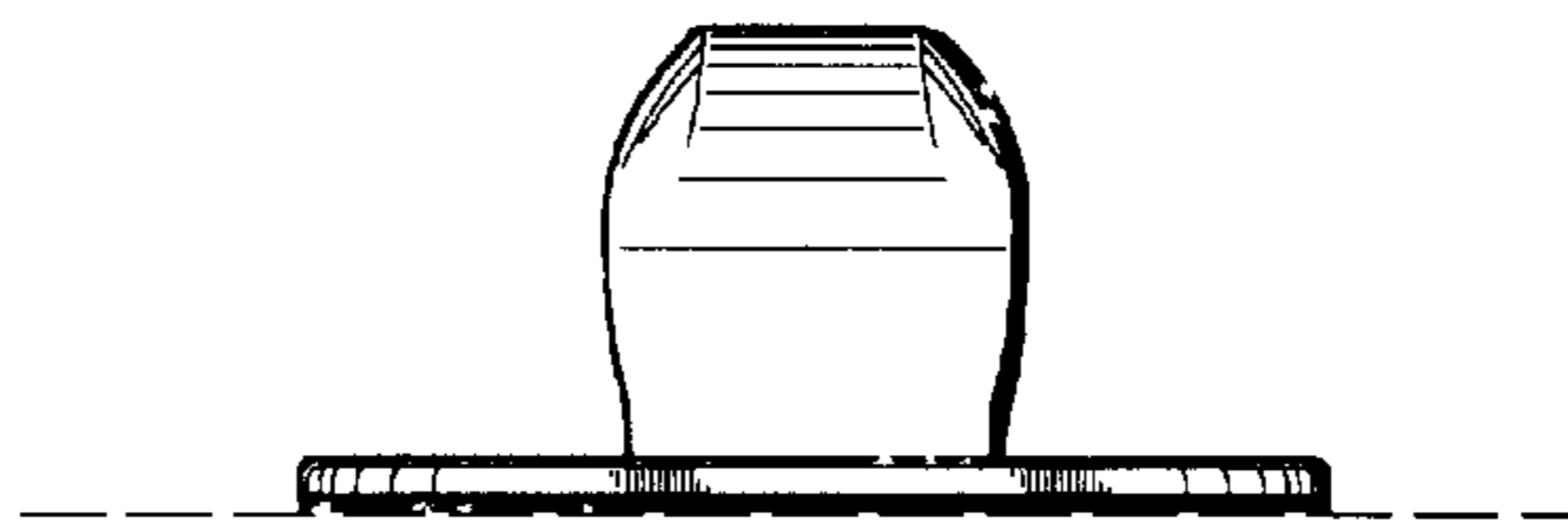


Figure 4