



US00D460674S

(12) **United States Design Patent**  
**Heun**

(10) **Patent No.:** **US D460,674 S**

(45) **Date of Patent:** **\*\* Jul. 23, 2002**

(54) **ELECTRIC DRILL**

(75) **Inventor:** **Ping Hay Heun, Hong Kong (HK)**

(73) **Assignee:** **Choon Nang Electrical Appliance Mfy. Ltd., Aberdeen (HK)**

(\*\*) **Term:** **14 Years**

(21) **Appl. No.:** **29/144,082**

(22) **Filed:** **Jun. 27, 2001**

(30) **Foreign Application Priority Data**

Dec. 28, 2000 (GB) ..... 2098423

(51) **LOC (7) Cl.** ..... **08-01**

(52) **U.S. Cl.** ..... **D8/68**

(58) **Field of Search** ..... D8/61, 62, 63,  
D8/64, 65, 66, 67, 68, 69, 70, 107; 29/243.525;  
74/371; 81/52, 54, 55, 57, 57.11, 57.13,  
57.14, 57.42, 57.43, 177.1, 177.4, 177.6,  
177.85, 409, 429, 436, 463, 464, 466, 474,  
900, 901, DIG. 12; 173/13, 15, 47, 48,  
90, 91, 92, 93, 93.5, 93.6, 109, 112, 122,  
164, 169, 170, 171, 176, 213, 216, 217;  
227/51, 81, 138; 279/9.1, 19.3, 62, 137,  
142, 147, 149, 158; 310/50; 320/114; 408/20,  
120, 122, 124, 125, 234, 241 R, 241 S;  
451/344, 354, 357, 358, 359, 456

(56) **References Cited**

**U.S. PATENT DOCUMENTS**

D377,893 S \* 2/1997 Lui ..... D8/68

D378,268 S \* 3/1997 Schultz ..... D8/68  
D382,457 S \* 8/1997 Ghode et al. .... D8/68  
D386,662 S \* 11/1997 Tozawa et al. .... D8/68  
D392,530 S \* 3/1998 Lui ..... D8/68  
D396,177 S \* 7/1998 Schultz ..... D8/68  
D402,871 S \* 12/1998 Clowers et al. .... D8/68  
D404,276 S \* 1/1999 Ghode et al. .... D8/68  
D419,413 S \* 1/2000 Heun ..... D8/68  
D420,877 S \* 2/2000 Schultz ..... D8/68  
D421,883 S \* 3/2000 Watson et al. .... D8/68  
D436,511 S \* 1/2001 Hayakawa et al. .... D8/68  
D437,759 S \* 2/2001 Breit et al. .... D8/68

\* cited by examiner

*Primary Examiner*—Doris V. Coles

*Assistant Examiner*—T. Chase Nelson

(74) *Attorney, Agent, or Firm*—Leydig, Voit & Mayer, Ltd.

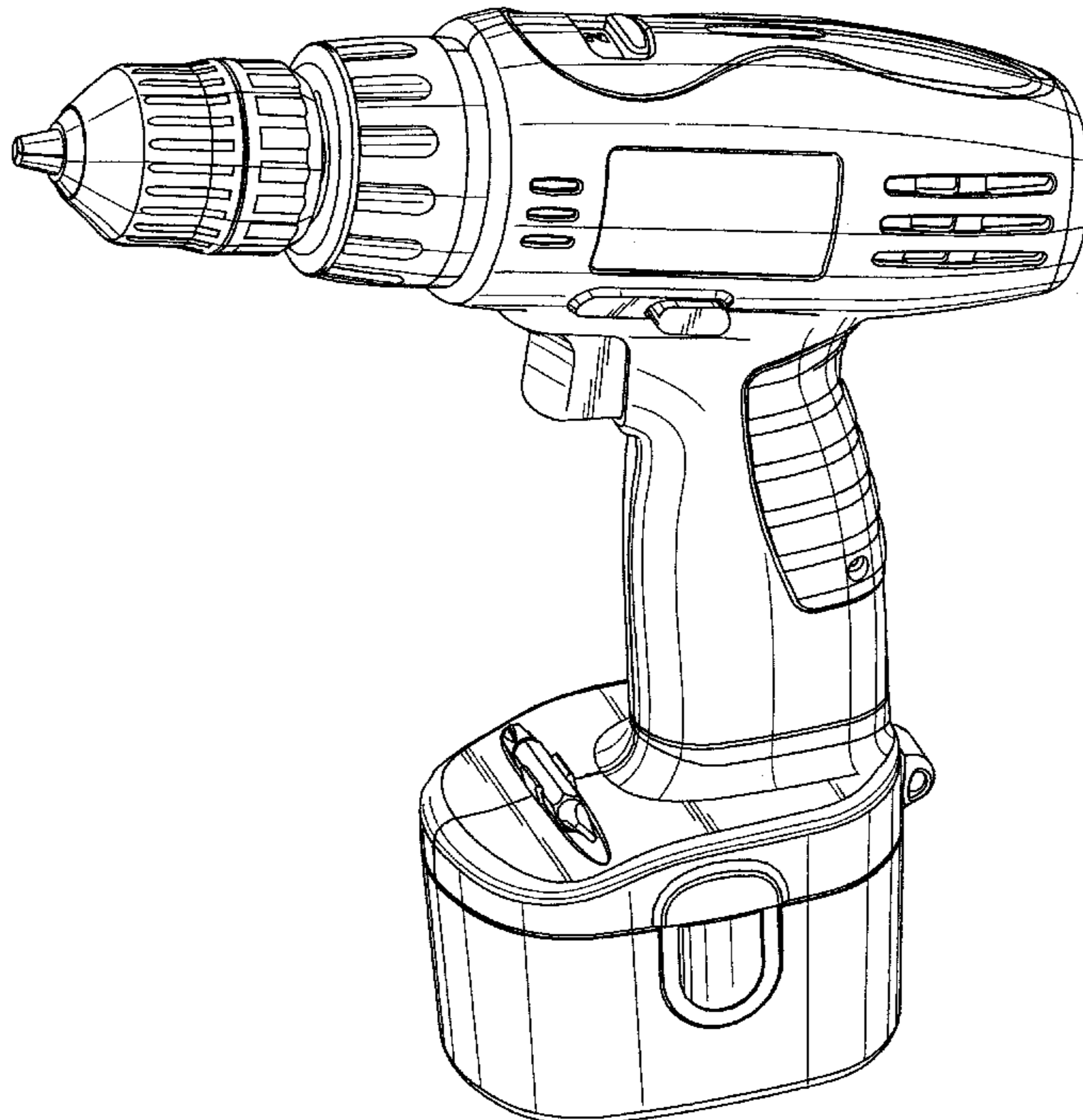
(57) **CLAIM**

The ornamental design for an electric drill, as shown and described.

**DESCRIPTION**

FIG. 1 is a left side and top perspective view of an electric drill showing my new design;  
FIG. 2 is a left side, rear end and top perspective view thereof;  
FIG. 3 is a left side elevational view thereof;  
FIG. 4 is a right side elevational view thereof;  
FIG. 5 is a front end elevational view thereof;  
FIG. 6 is a rear end elevational view thereof;  
FIG. 7 is a top plan view thereof; and,  
FIG. 8 is a bottom plan view thereof.

**1 Claim, 6 Drawing Sheets**



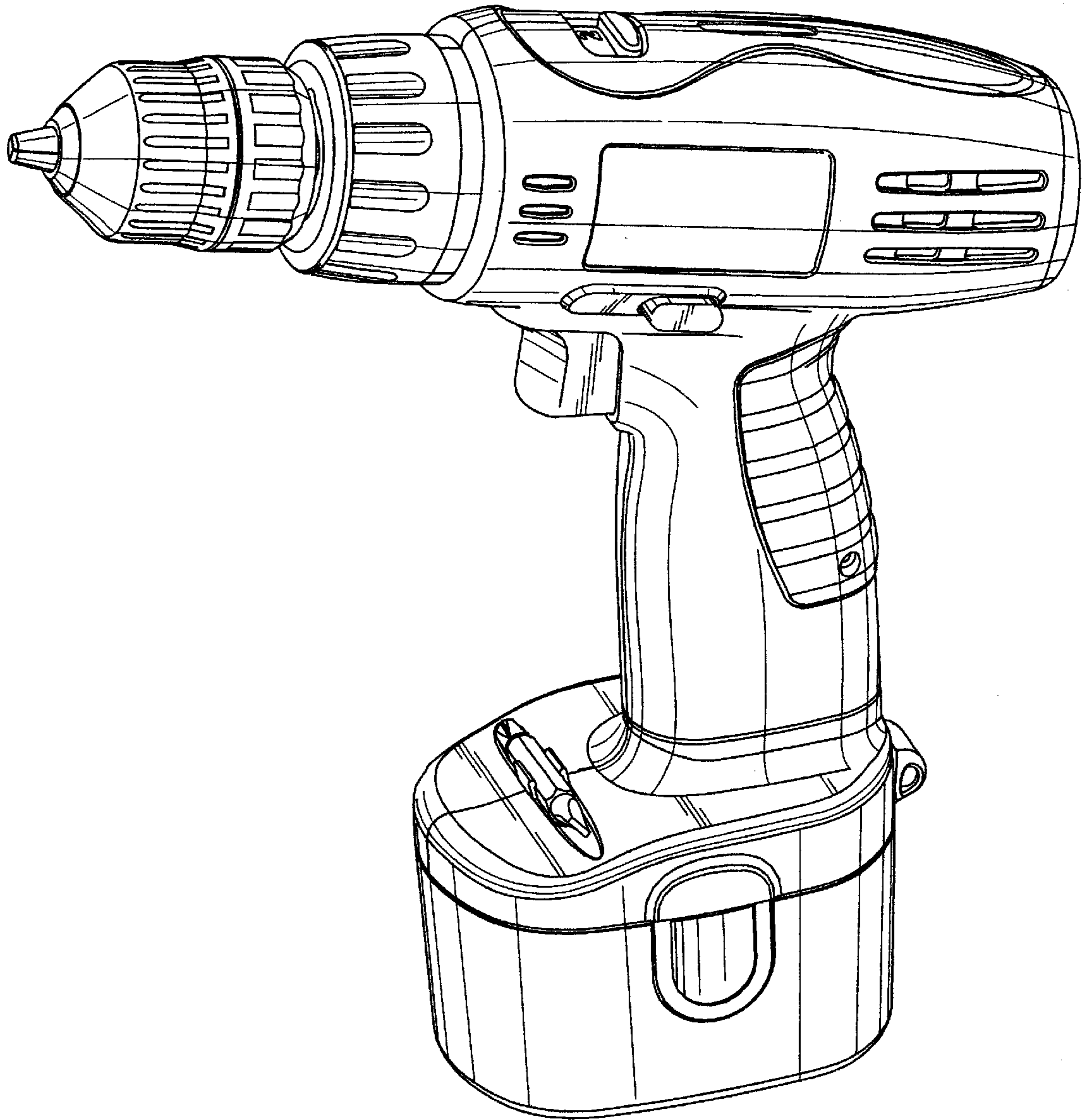


FIG. 1

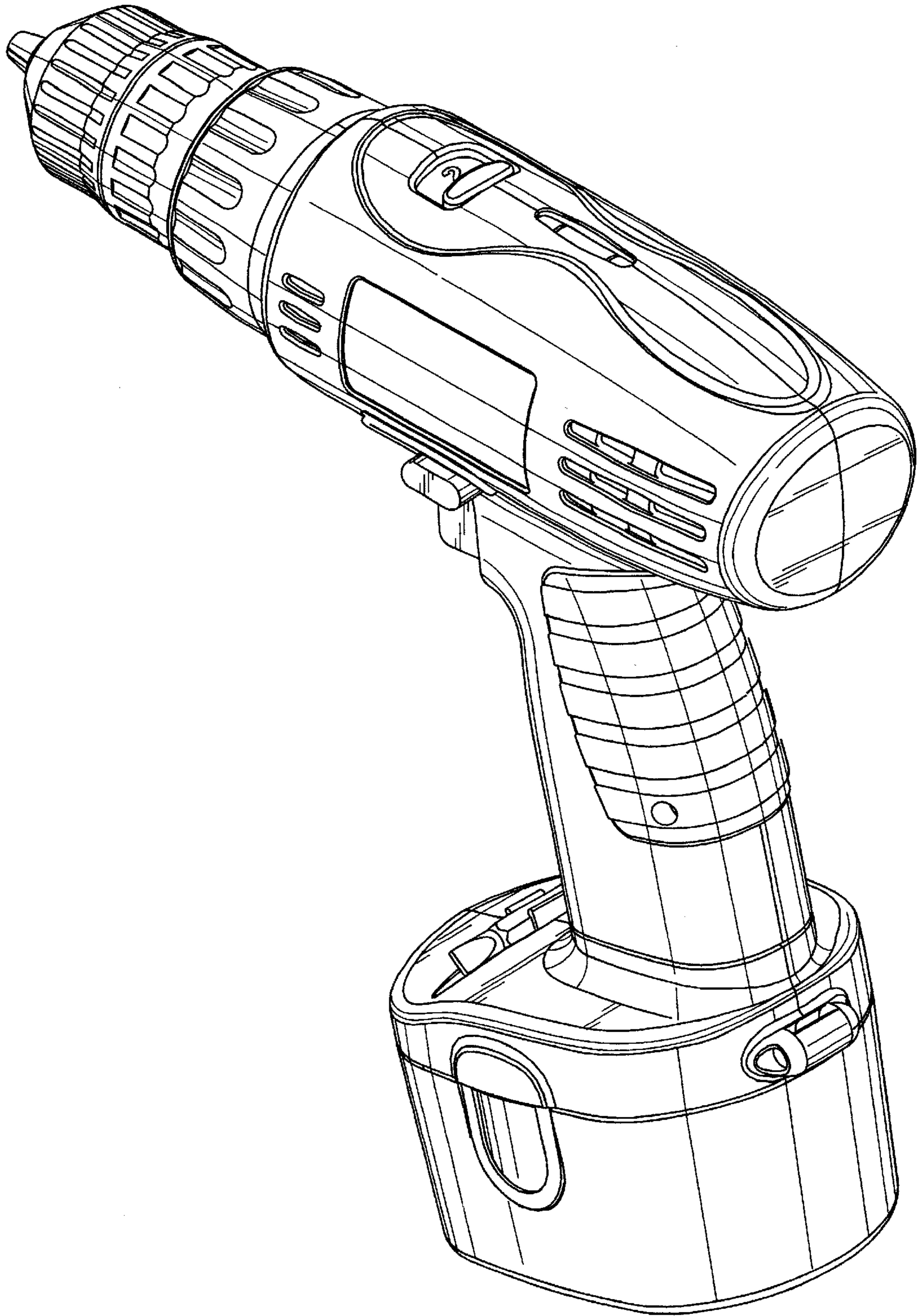


FIG. 2

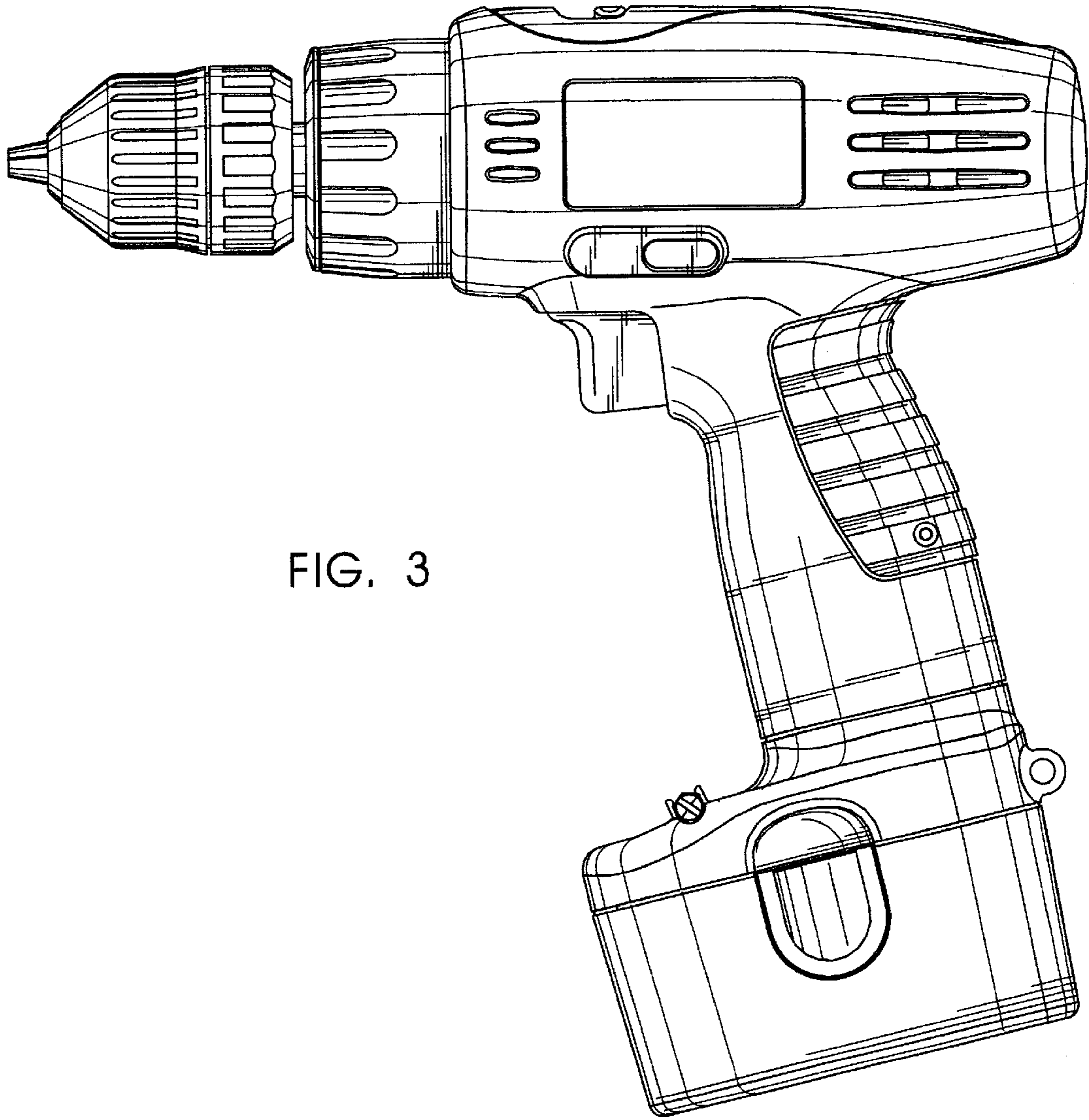


FIG. 3

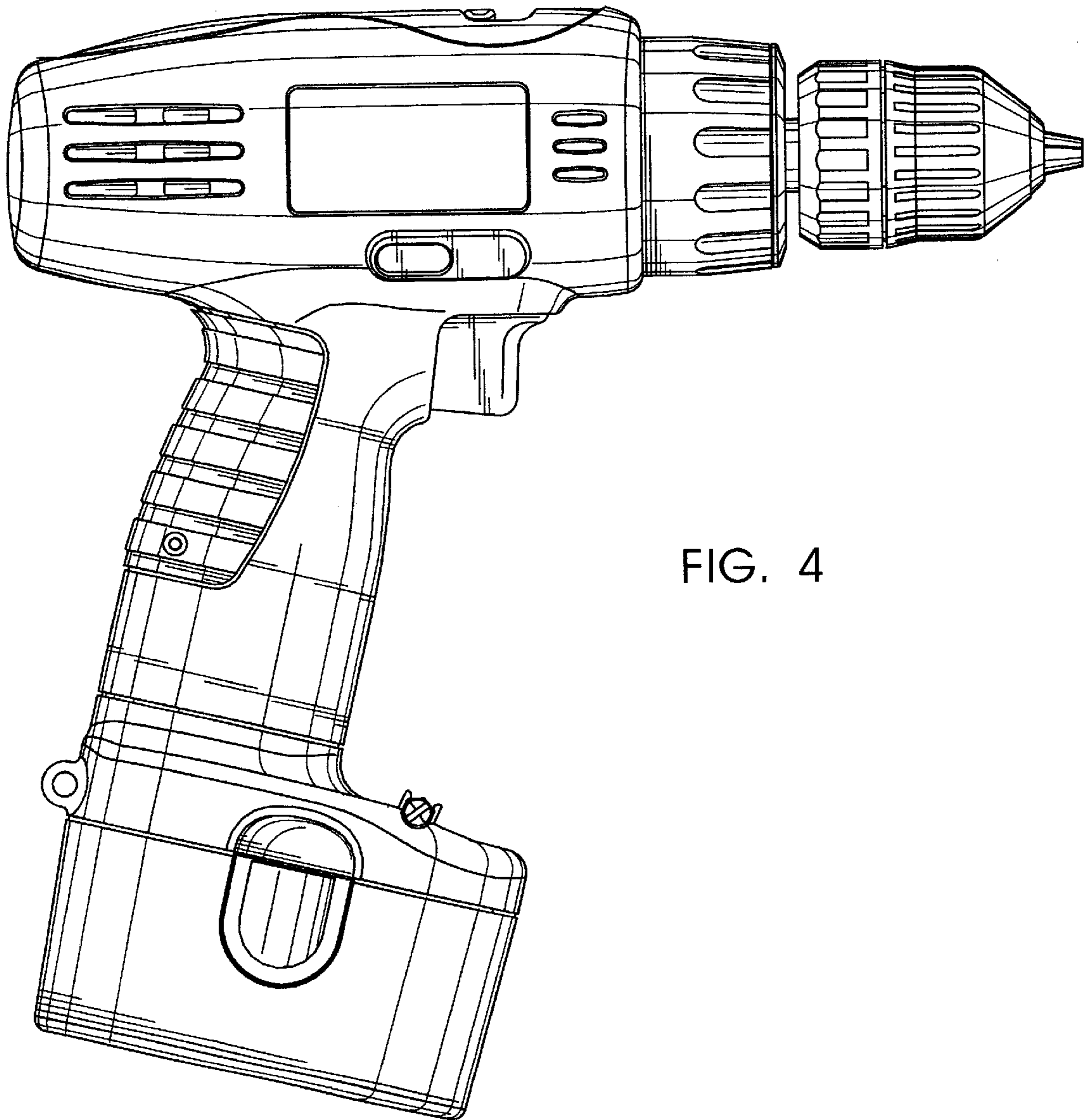


FIG. 4

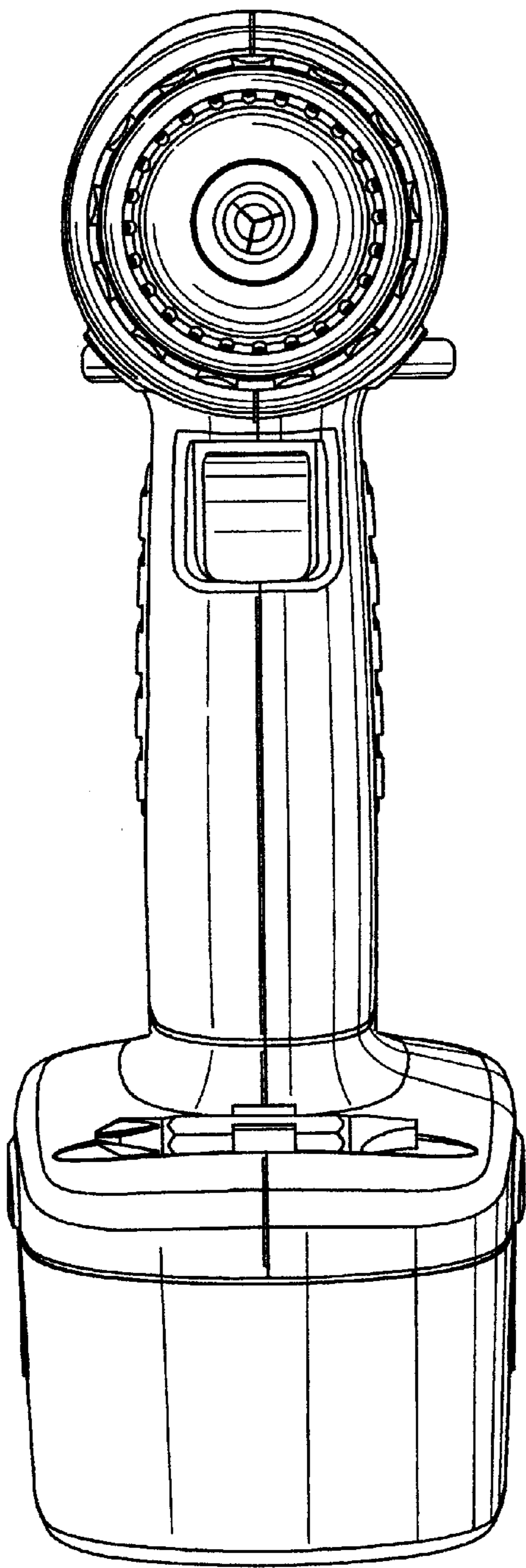


FIG. 5

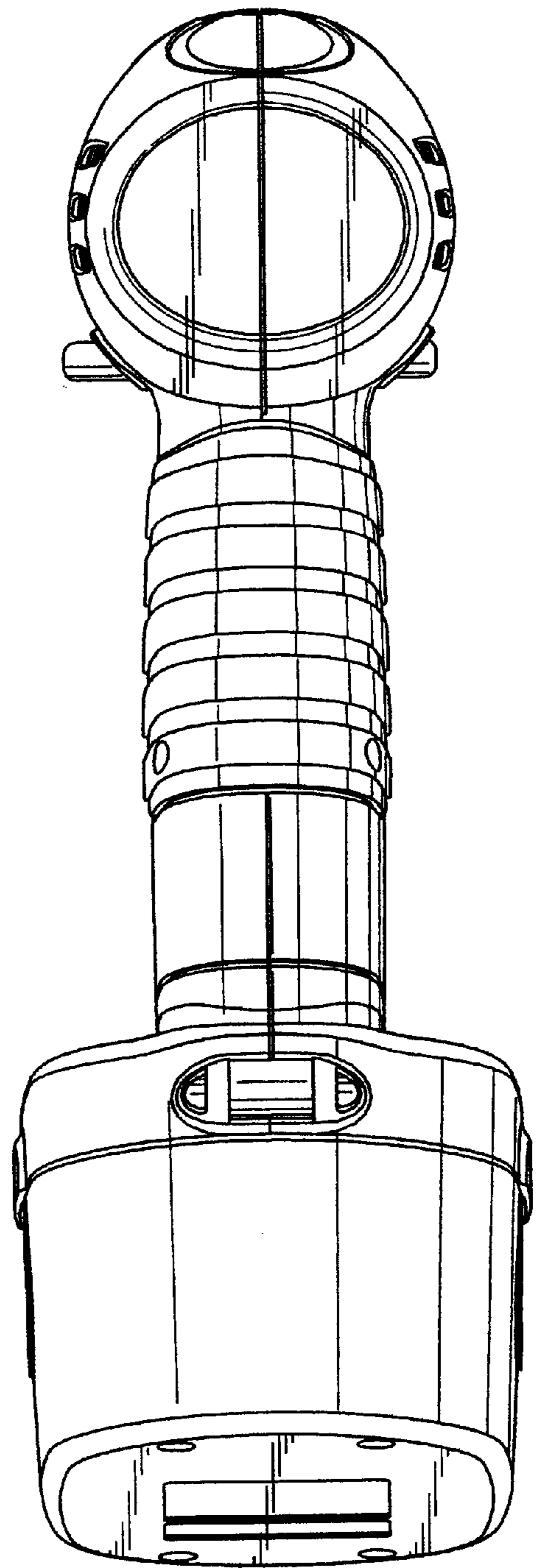


FIG. 6

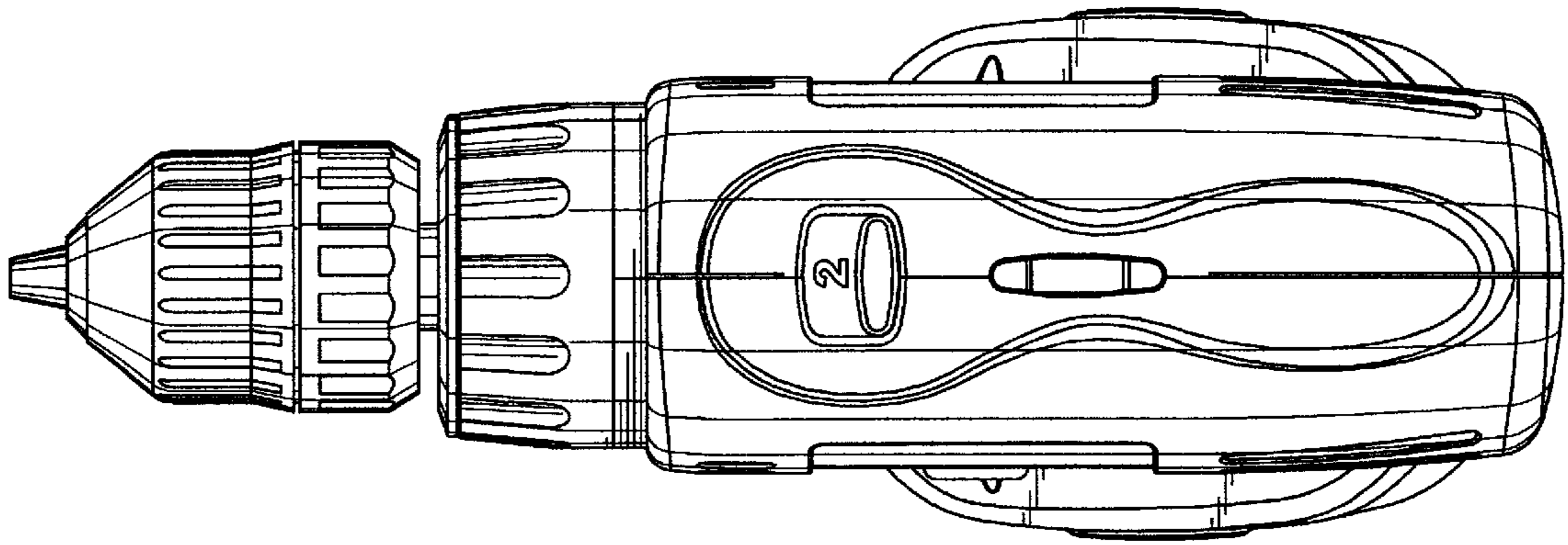


FIG. 7

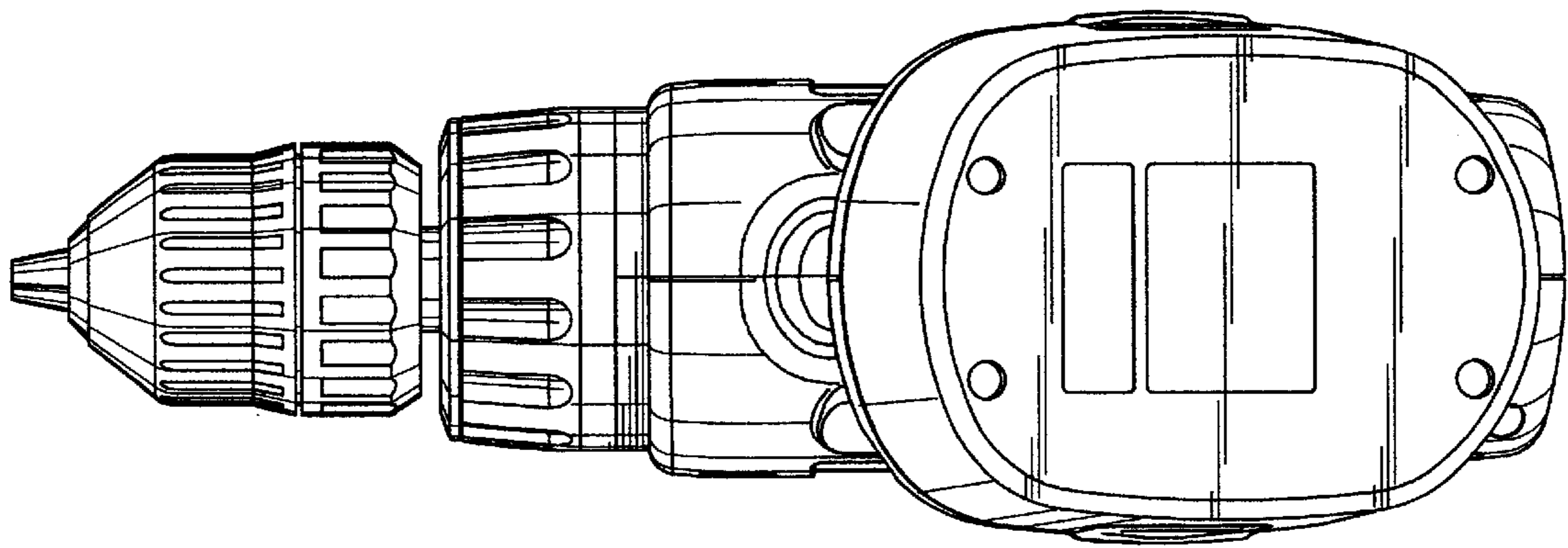


FIG. 8