



US00D460673S

(12) **United States Design Patent**
Heun

(10) **Patent No.:** **US D460,673 S**

(45) **Date of Patent:** **** Jul. 23, 2002**

(54) **ELECTRIC DRILL**

(75) **Inventor:** **Ping Hay Heun, Aberdeen (HK)**

(73) **Assignee:** **Choon Nang Electrical Appliance Mfy. Ltd., Aberdeen (HK)**

(**) **Term:** **14 Years**

(21) **Appl. No.:** **29/144,035**

(22) **Filed:** **Jun. 26, 2001**

(30) **Foreign Application Priority Data**

Dec. 28, 2000 (GB) 2098422

(51) **LOC (7) Cl.** **08-01**

(52) **U.S. Cl.** **D8/68**

(58) **Field of Search** D8/61, 62, 63,
D8/64, 65, 66, 67, 68, 69, 70, 107; 29/243.525;
74/371; 81/52, 54, 55, 57, 57.11, 57.13,
57.14, 57.42, 57.43, 177.1, 177.4, 177.6,
177.85, 409, 429, 436, 463, 464, 466, 474,
900, 901, DIG. 12; 173/13, 15, 47, 48,
90, 91, 92, 93, 93.5, 93.6, 109, 112, 122,
164, 169, 170, 171, 176, 213, 216, 217;
227/51, 81, 138; 279/9.1, 19.3, 62, 137,
142, 147, 149, 158; 310/50; 320/114; 408/20,
120, 122, 124, 125, 234, 241 R, 241 S;
451/344, 354, 357, 358, 359, 456

(56) **References Cited**

U.S. PATENT DOCUMENTS

D340,394 S * 10/1993 Okumura D8/68

D362,167 S * 9/1995 Zurwelle D8/68
D377,442 S * 1/1997 Kikuchi D8/68
D377,893 S * 2/1997 Lui D8/68
D378,268 S * 3/1997 Schultz D8/68
D386,662 S * 11/1997 Tozawa et al. D8/68
D396,177 S * 7/1998 Schultz D8/68
D402,871 S * 12/1998 Clowers et al. D8/68
D409,467 S * 5/1999 Chung D8/68
D419,413 S * 1/2000 Heun D8/68
D421,883 S * 3/2000 Watson et al. D8/68
D429,134 S * 8/2000 Schultz et al. D8/68
D436,511 S * 1/2001 Hayakawa et al. D8/68

* cited by examiner

Primary Examiner—Doris V. Coles

Assistant Examiner—T. Chase Nelson

(74) *Attorney, Agent, or Firm*—Leydig, Voit & Mayer, Ltd.

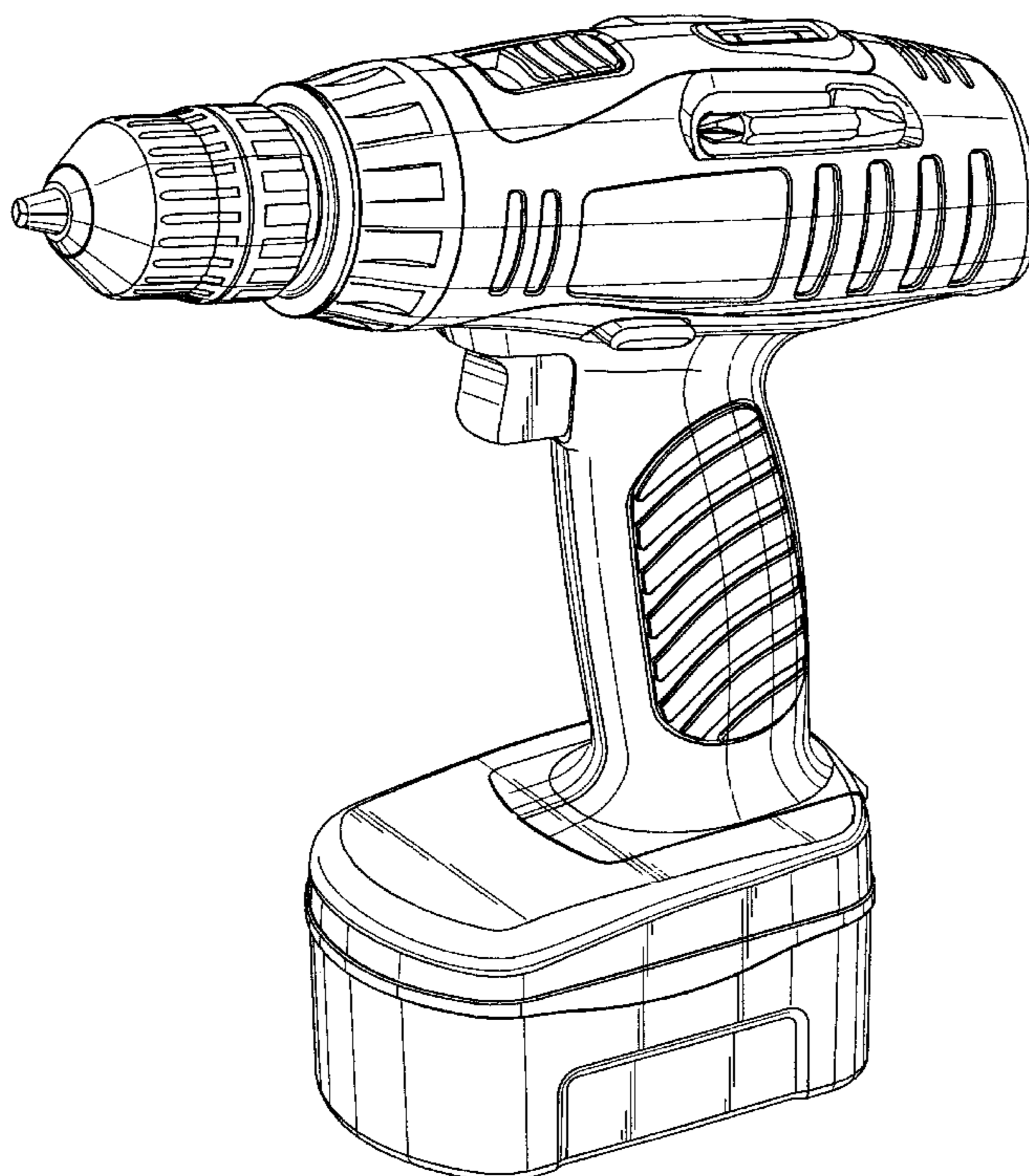
(57) **CLAIM**

The ornamental design for an electric drill, as shown and described.

DESCRIPTION

FIG. 1 is a top, front end and left side perspective view of an electric drill showing my new design;
FIG. 2 is a top, rear end and left side perspective view thereof;
FIG. 3 is a left side elevational view thereof;
FIG. 4 is a right side elevational view thereof;
FIG. 5 is a front end elevational view thereof;
FIG. 6 is a rear end elevational view thereof;
FIG. 7 is a top plan view thereof; and,
FIG. 8 is a bottom plan view thereof.

1 Claim, 6 Drawing Sheets



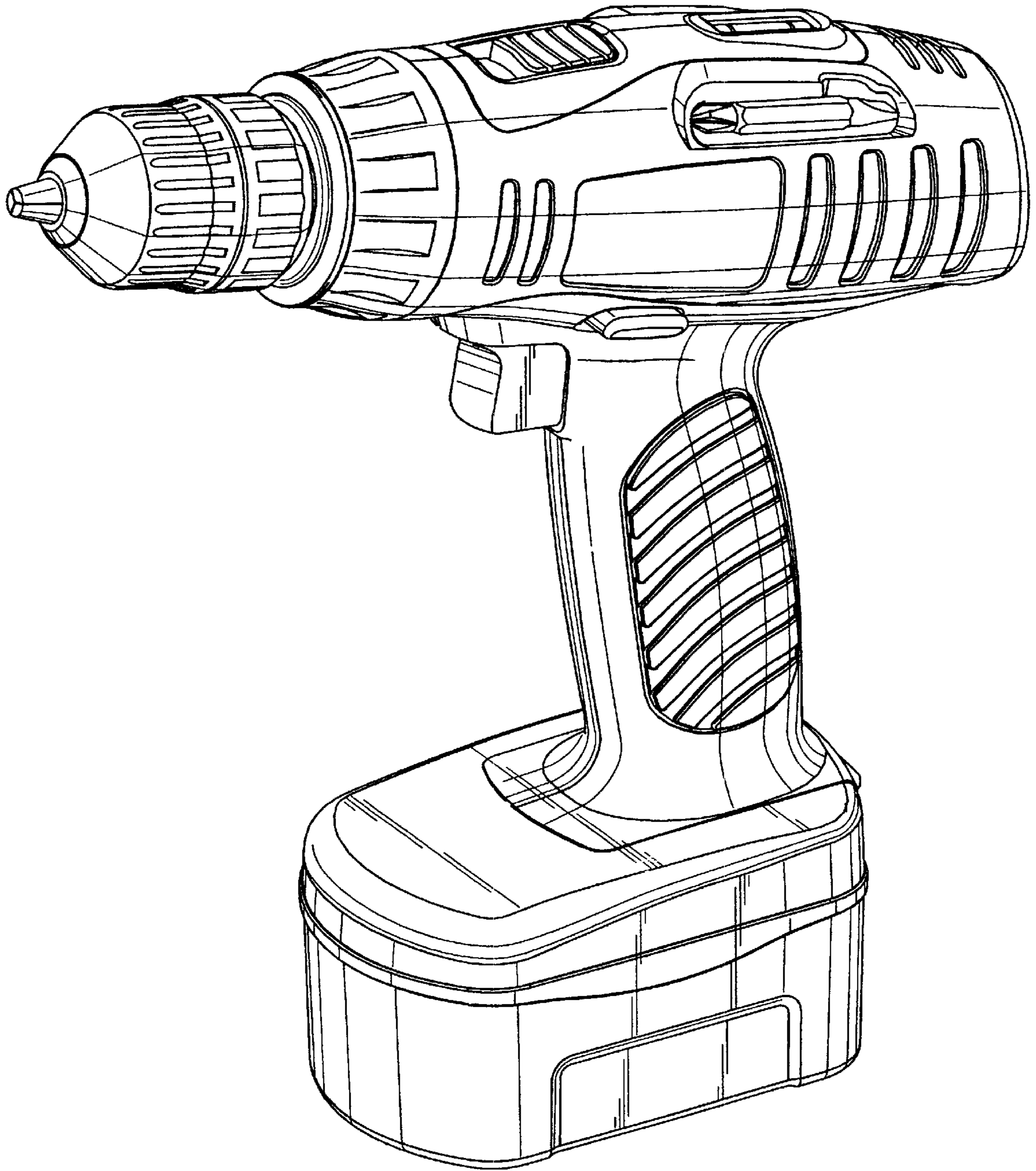


FIG. 1

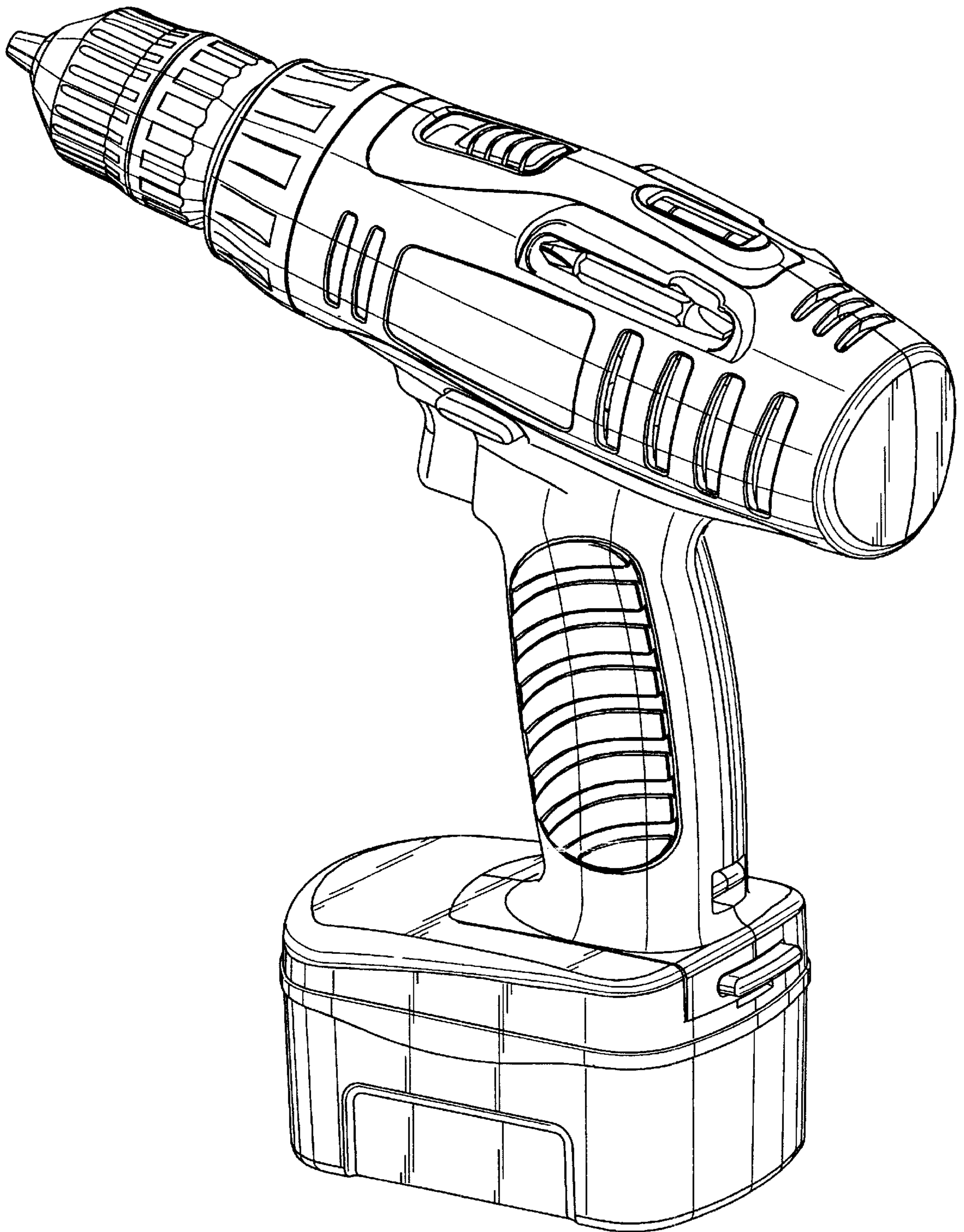


FIG. 2

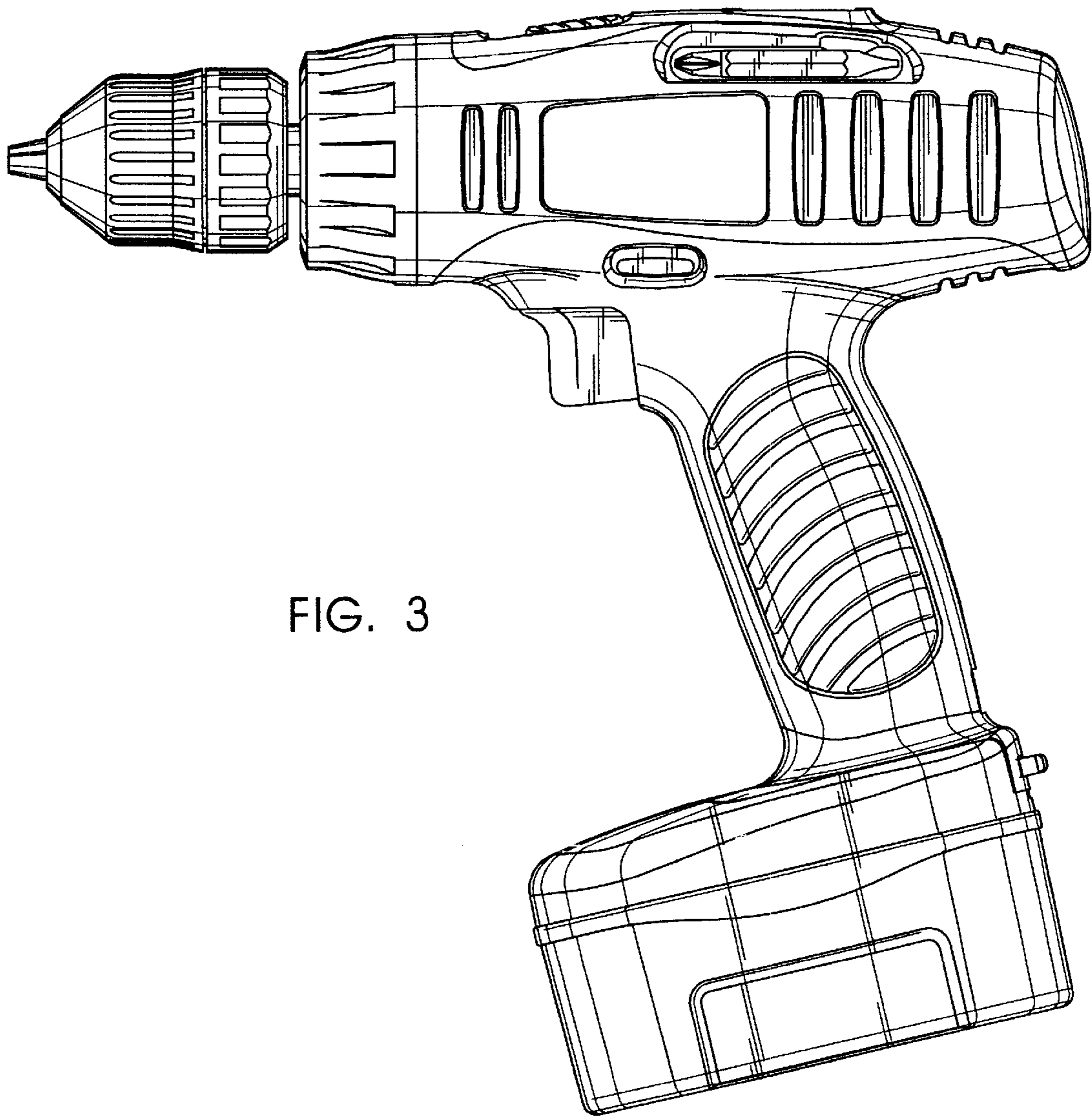


FIG. 3

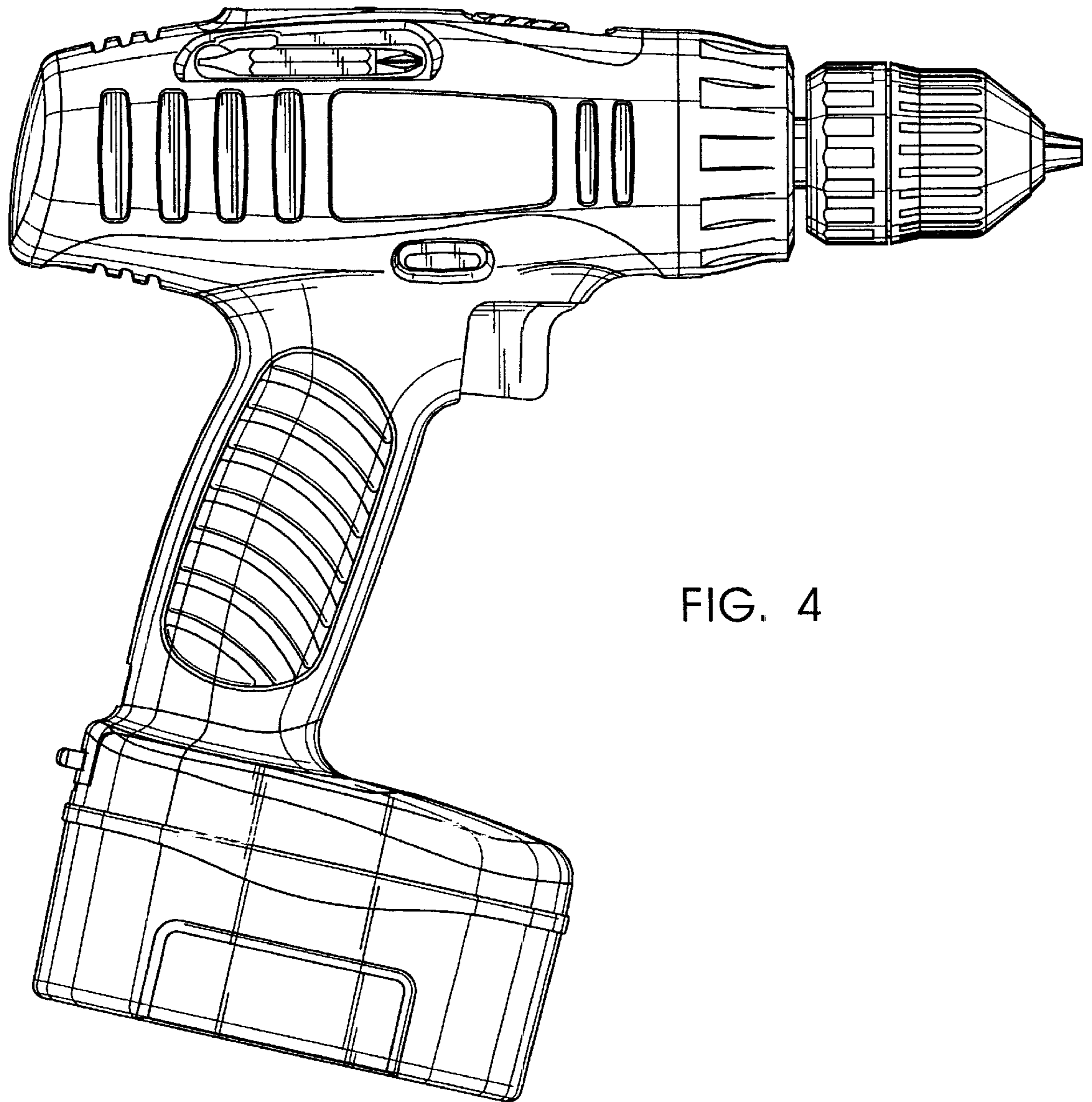


FIG. 4

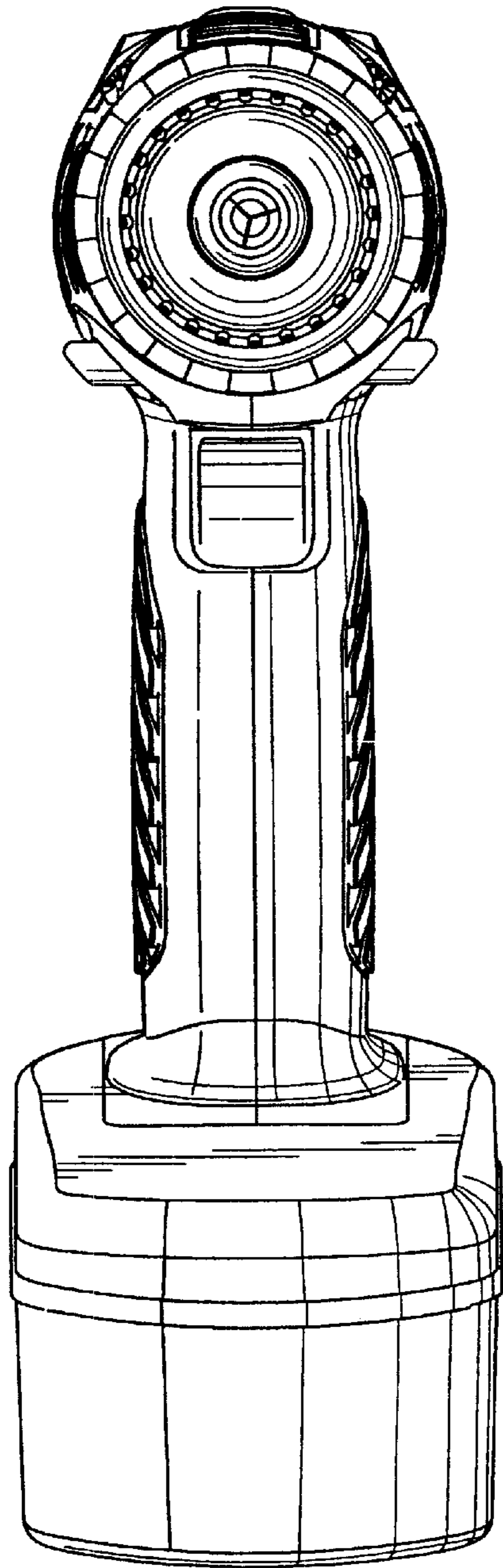


FIG. 5

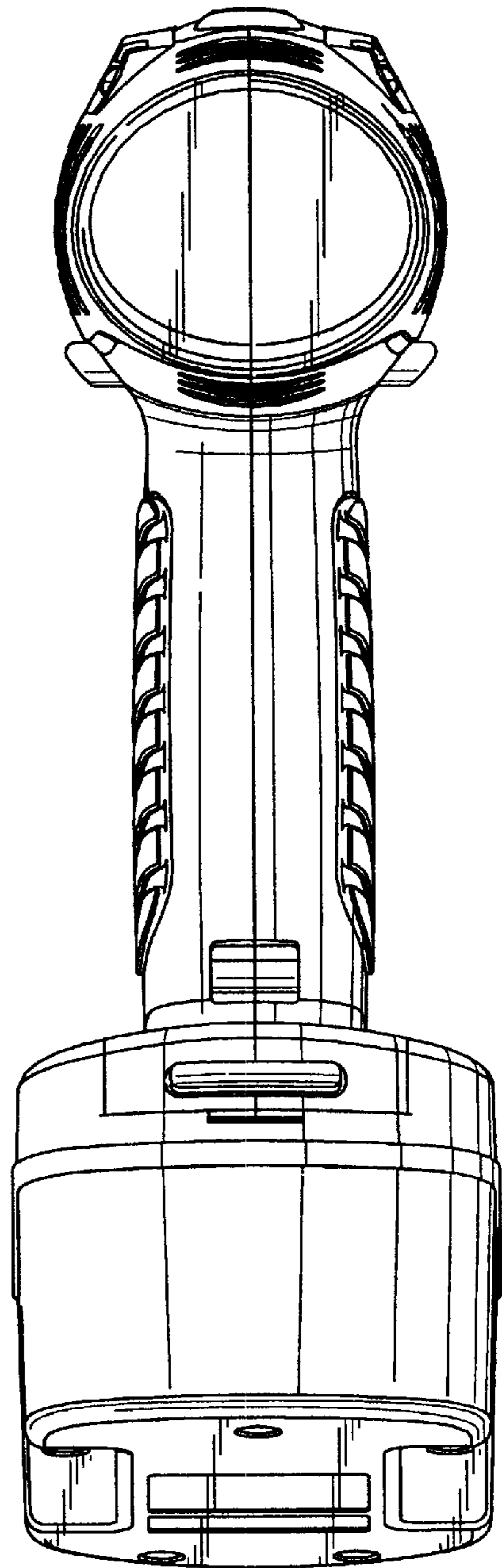


FIG. 6

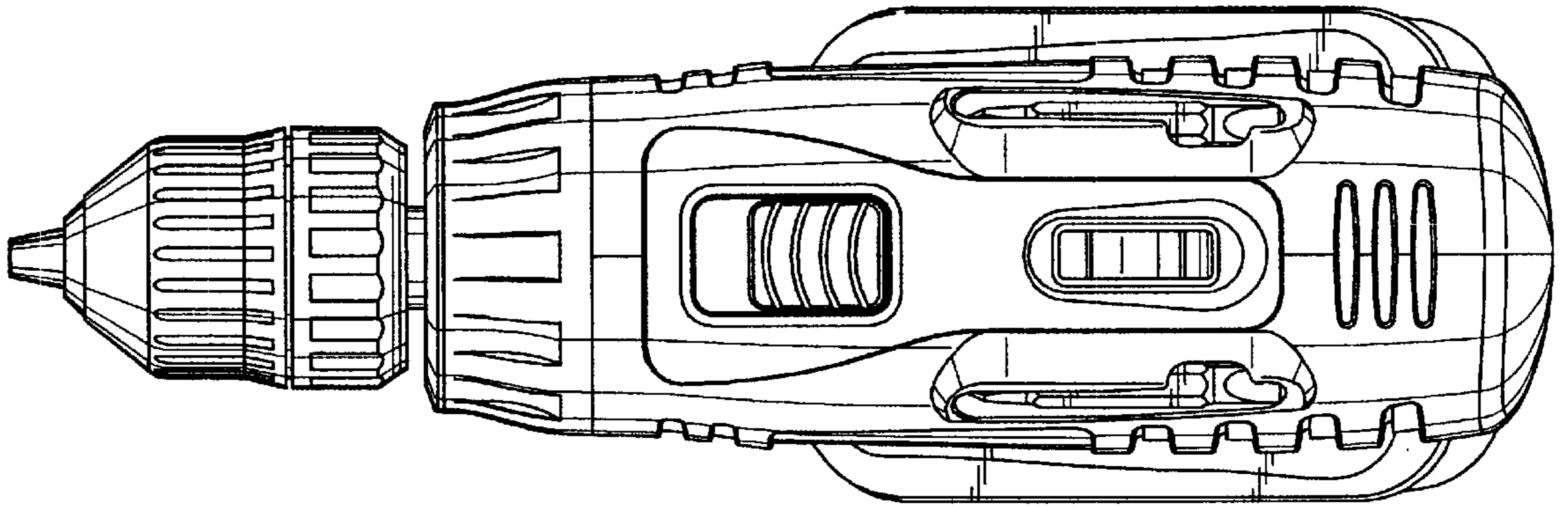


FIG. 7

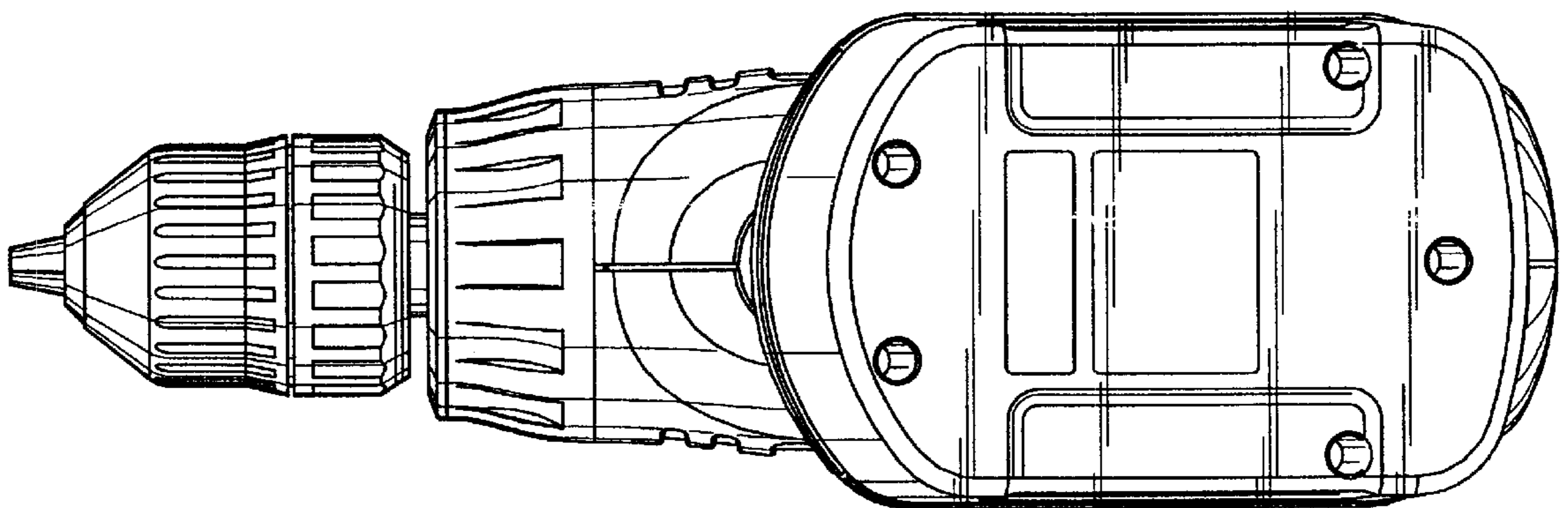


FIG. 8