



US00D460671S

(12) **United States Design Patent**
Chan

(10) **Patent No.:** **US D460,671 S**

(45) **Date of Patent:** **** Jul. 23, 2002**

(54) **SCISSORS**

D448,261 S * 9/2001 Pia D8/57

(75) Inventor: **Kin Ming Chan**, Tsing Yi Island (CN)

OTHER PUBLICATIONS

(73) Assignee: **Kwan Ngai Products Factory Ltd.**,
Tsing Yi Island (CN)

Guernsey office products' 2001 catalog/p. 978/items A-D, K and N.*

(**) Term: **14 Years**

* cited by examiner

(21) Appl. No.: **29/149,226**

Primary Examiner—Alan P. Douglas

Assistant Examiner—Clare E. Heflin

(22) Filed: **Oct. 4, 2001**

(74) *Attorney, Agent, or Firm*—Alix, Yale & Ristas, LLP

(51) **LOC (7) Cl.** **08-03**

(52) **U.S. Cl.** **D8/57**

(58) **Field of Search** D8/5, 57; D24/148;
606/174; 30/120, 145, 194, 201, 229, 230,
232, 233, 248, 257, 261, 262, 266, 268

(57) **CLAIM**

The ornamental design for scissors, as shown and described.

(56) **References Cited**

DESCRIPTION

U.S. PATENT DOCUMENTS

D413,778 S	*	9/1999	Matthews et al.	D8/57
D419,412 S	*	1/2000	Chang	D8/57
D436,816 S	*	1/2001	Lo	D8/57
D437,198 S	*	2/2001	Lo	D8/57
D443,490 S	*	6/2001	Bornancini	D8/57
D446,099 S	*	8/2001	Pia	D8/57

FIG. 1 is a front perspective view of the scissors showing my new design;

FIG. 2 is a front view of the scissors of FIG. 1;

FIG. 3 is a rear view of the scissors of FIG. 1;

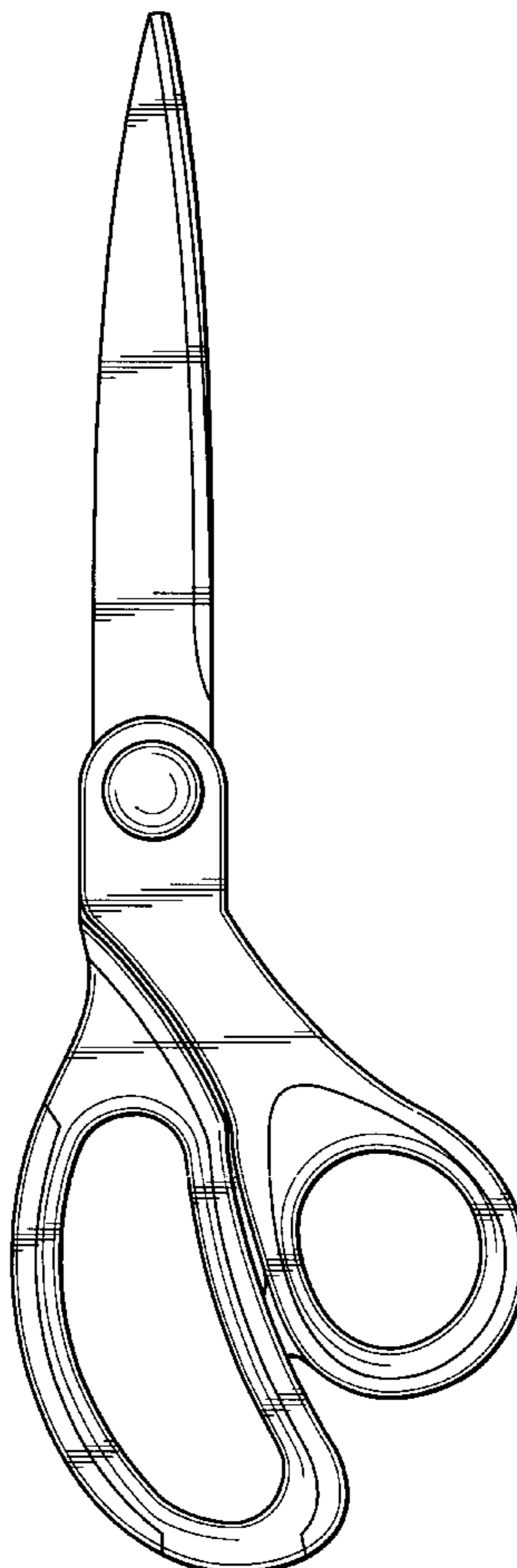
FIG. 4 is a left side view of the scissors of FIG. 1;

FIG. 5 is a right side view of the scissors of FIG. 1;

FIG. 6 is a top plan view of the scissors of FIG. 1; and,

FIG. 7 is a bottom plan view of the scissors of FIG. 1.

1 Claim, 3 Drawing Sheets



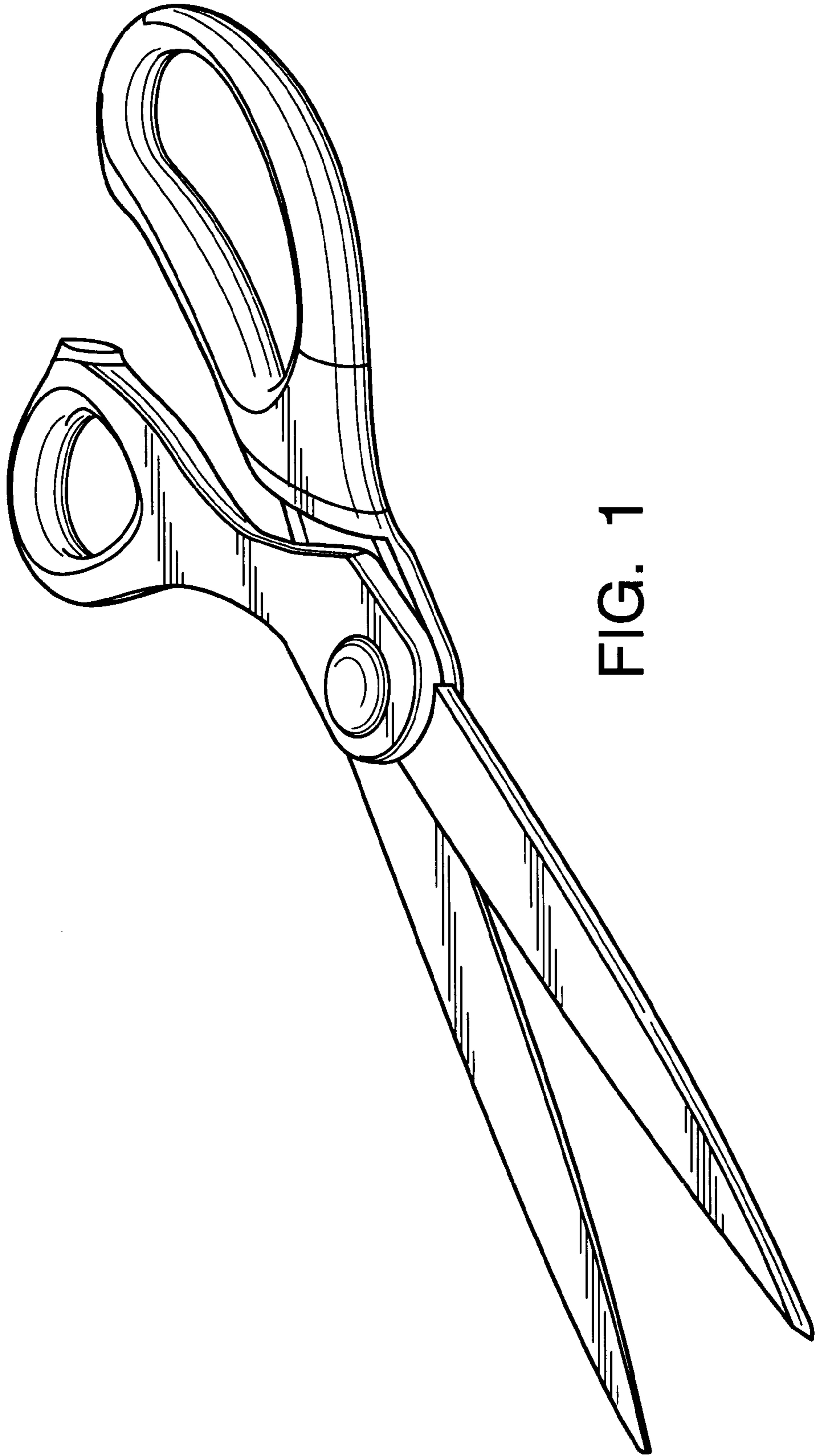
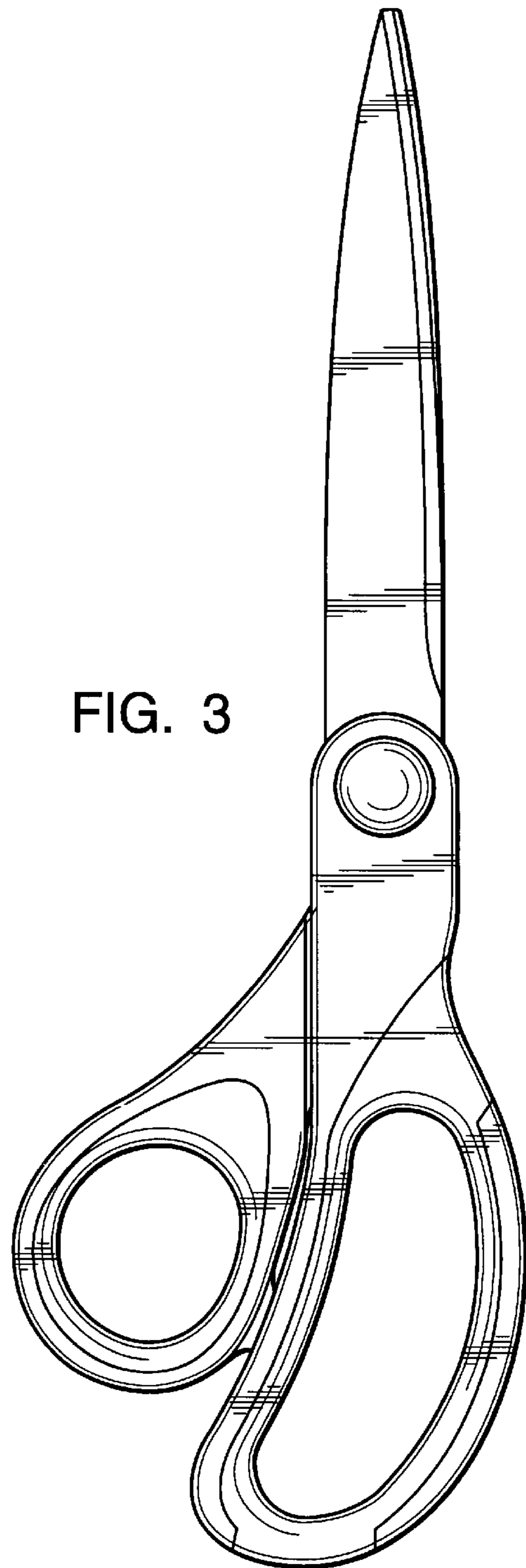
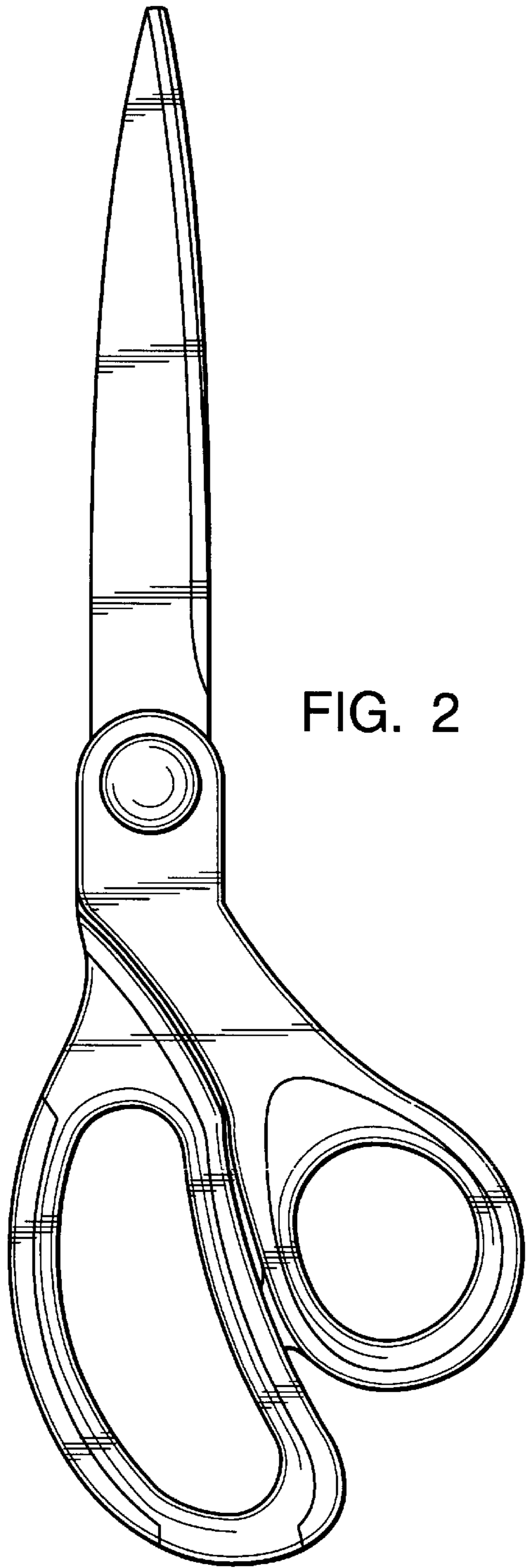


FIG. 1



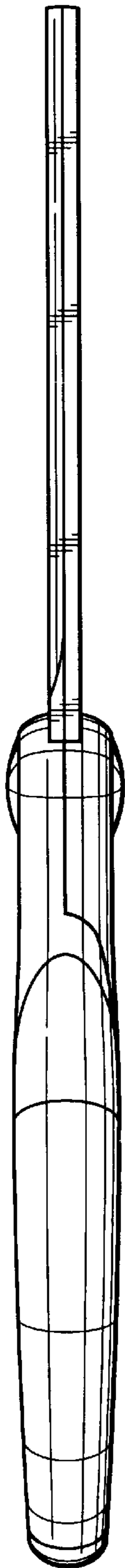


FIG. 4

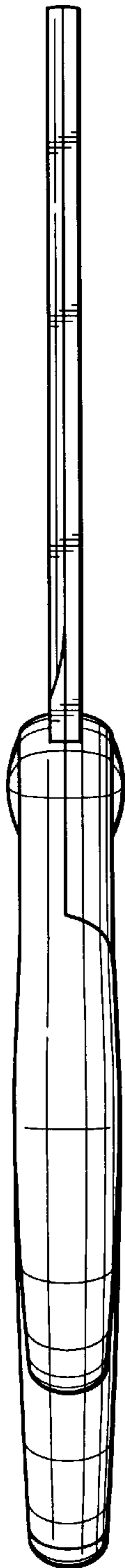


FIG. 5

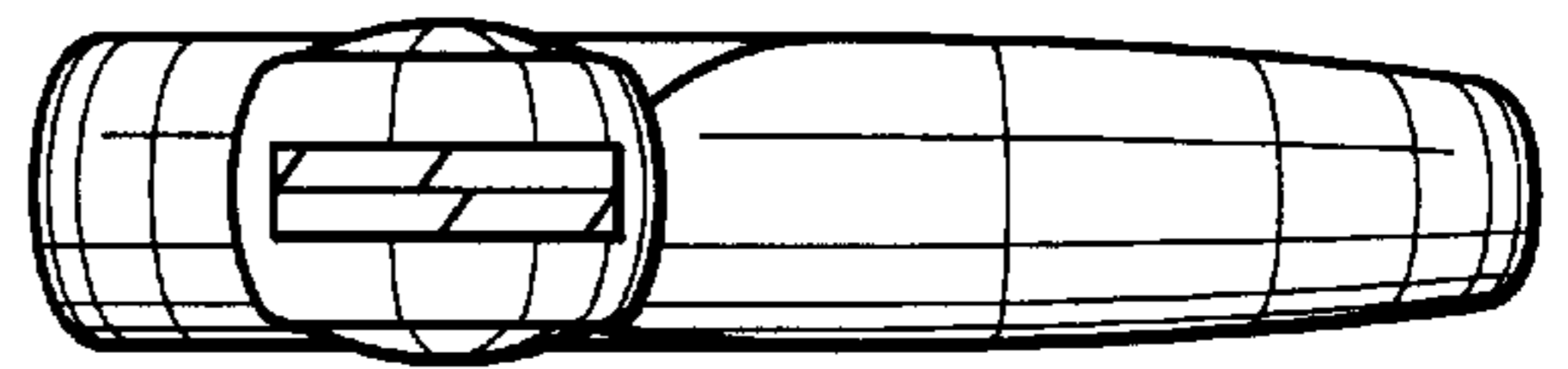


FIG. 6

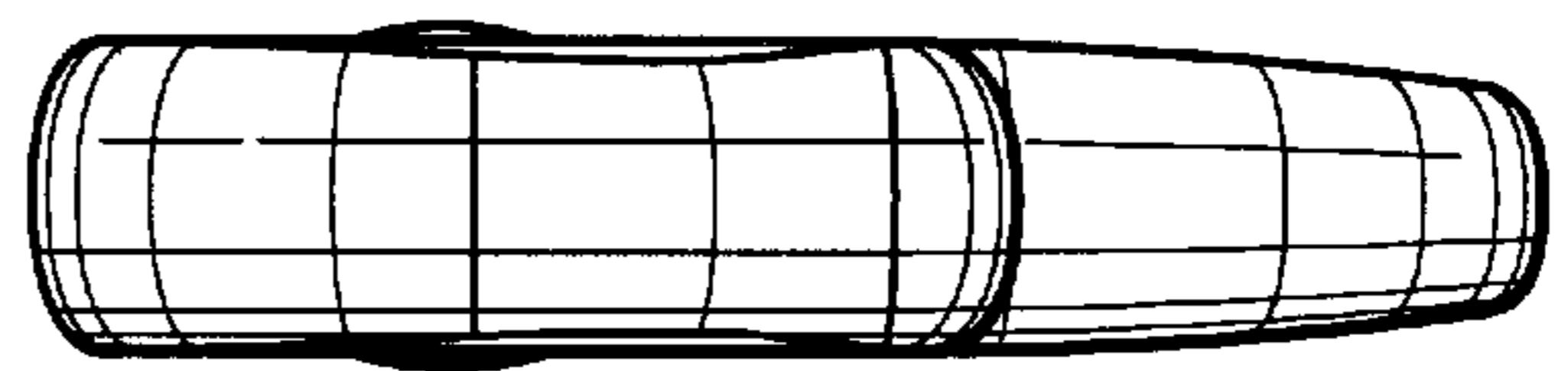


FIG. 7