



US00D460669S

(12) **United States Design Patent**
Cizek

(10) **Patent No.:** **US D460,669 S**

(45) **Date of Patent:** **** Jul. 23, 2002**

(54) **COMBINATION BOTTLE HOOK AND WRENCH**

(76) Inventor: **Brian P. Cizek**, 6572 Brad Ave.,
Huntington Beach, CA (US) 92647

(**) Term: **14 Years**

(21) Appl. No.: **29/137,928**

(22) Filed: **Feb. 28, 2001**

Related U.S. Application Data

(63) Continuation-in-part of application No. 09/183,858, filed on
Oct. 30, 1998, now abandoned.

(51) **LOC (7) Cl.** **08-05**

(52) **U.S. Cl.** **D8/26; D8/17; D8/28;**
D9/443

(58) **Field of Search** D8/17-29; D9/434,
D9/443, 455; 81/124.3, 3.4, 3.09; 248/312,
313, 304, 305, 301, 316.7; 224/148.7; 215/398

(56) **References Cited**

U.S. PATENT DOCUMENTS

D30,625 S *	4/1899	Glas	D8/28
1,702,676 A *	2/1929	Vocisano	81/124.3
D227,651 S *	7/1973	Sharff	D8/17
D288,666 S *	3/1987	Brun	D9/434
4,723,465 A *	2/1988	Hughes		
4,773,549 A *	9/1988	Avraham		
D349,241 S *	8/1994	Isaacson	D9/443
5,897,150 A *	4/1999	Rubini	294/27.1
D435,765 S *	1/2001	Owens	D8/28
6,352,235 B2 *	3/2002	Cizek	81/309

* cited by examiner

Primary Examiner—Raphael Barkai

(74) *Attorney, Agent, or Firm*—James G. O'Neill

(57) **CLAIM**

The ornamental design for a combination bottle hook and wrench, as shown and described.

DESCRIPTION

FIG. 1 is a perspective view of a first embodiment of a combination bottle hook and wrench secured to a neck of a bottle, showing my new design;

FIG. 2 is a bottom plan view of the combination bottle hook and wrench of FIG. 1;

FIG. 3 is a top plan view of the combination bottle hook and wrench of FIG. 1;

FIG. 4 is a rear elevational view of the combination bottle hook and wrench of FIG. 1;

FIG. 5 is a front elevational view of the combination bottle hook and wrench of FIG. 1;

FIG. 6 is a first side elevational view of the combination bottle hook and wrench of FIG. 1, the other side being a mirror image thereof;

FIG. 7 is a front perspective view of a second embodiment of a combination bottle hook and wrench mounted over a cap of a bottle; the rear elevation view of this second embodiment of the combination bottle hook and wrench being identical to that of the first embodiment;

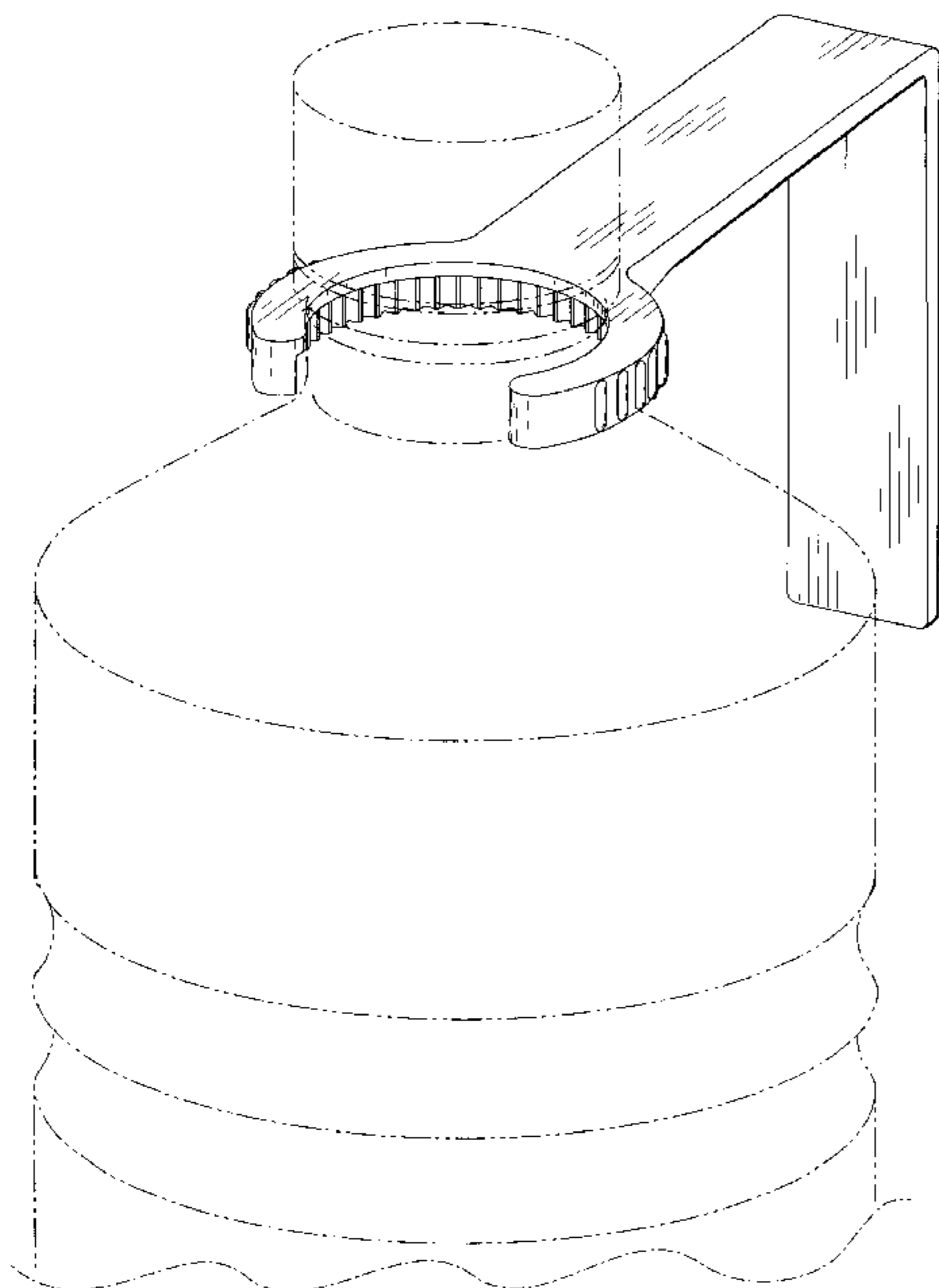
FIG. 8 is a bottom plan view of the combination bottle hook and wrench of FIG. 7;

FIG. 9 is a top plan view of the combination bottle hook and wrench of FIG. 7; and,

FIG. 10 is a first side elevational view of the combination bottle hook and wrench of FIG. 7, the other side being a mirror image thereof.

The broken line representation of a bottle in FIGS. 1 and 7 is shown for illustrative purposes only, and forms no part of the claimed design.

1 Claim, 5 Drawing Sheets



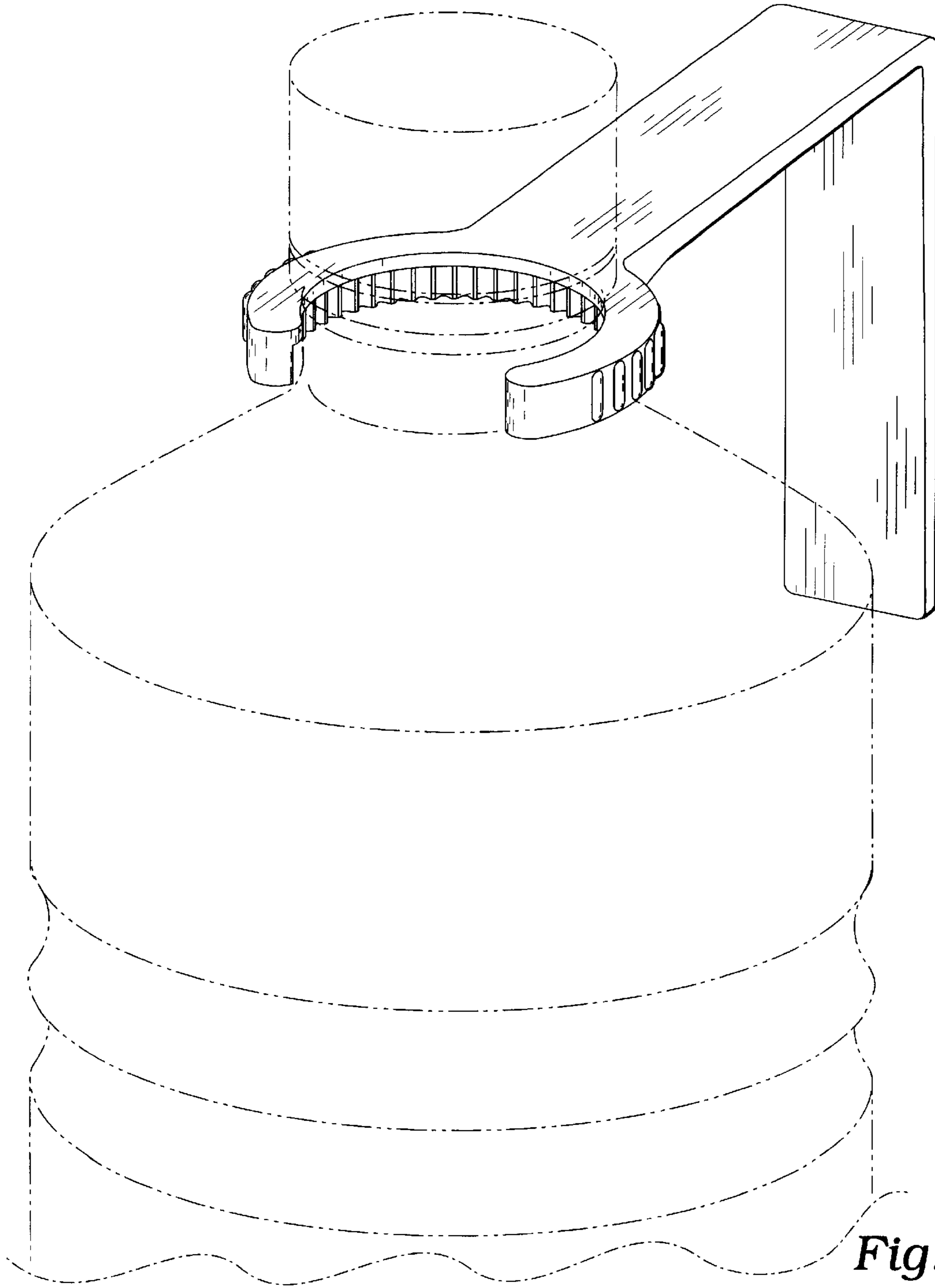


Fig. 1

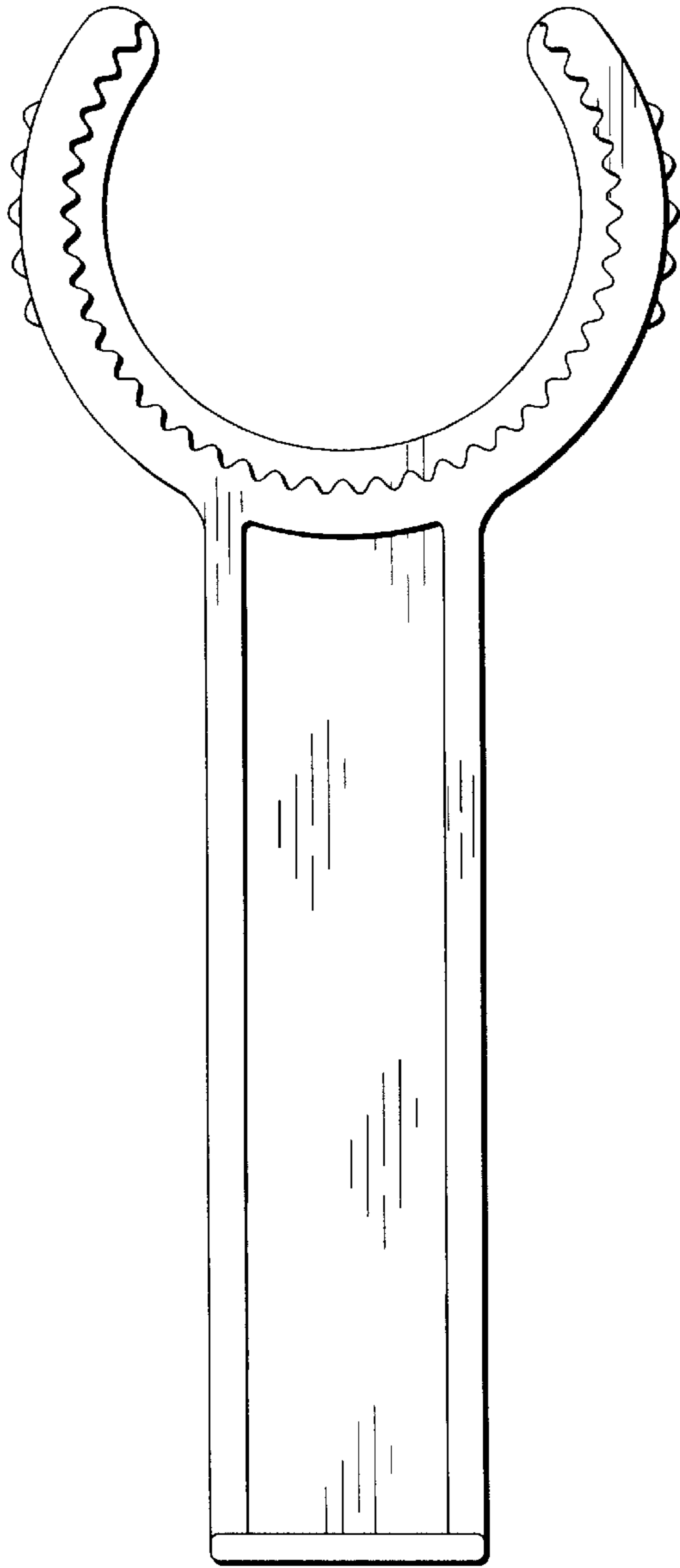


Fig. 2

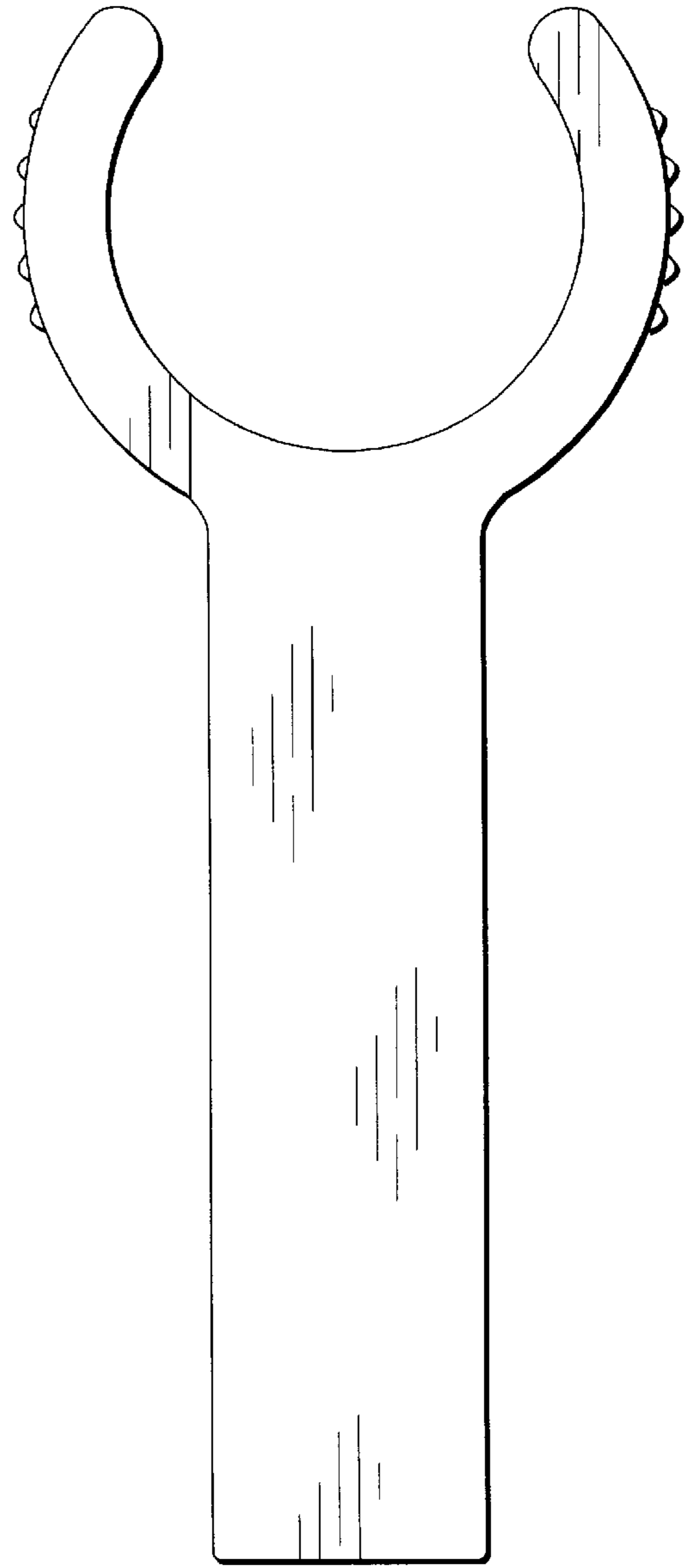


Fig. 3

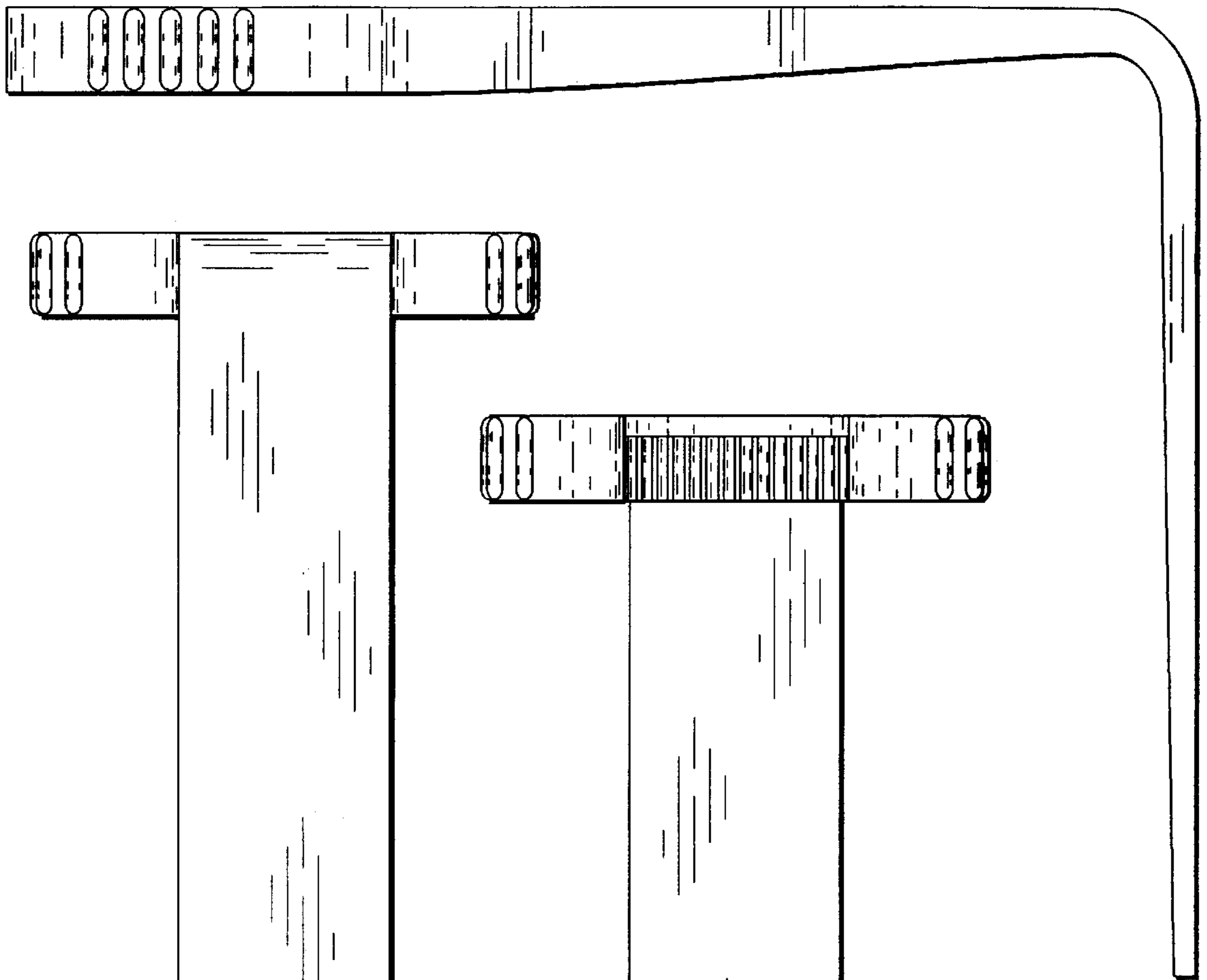


Fig. 4

Fig. 5

Fig. 6

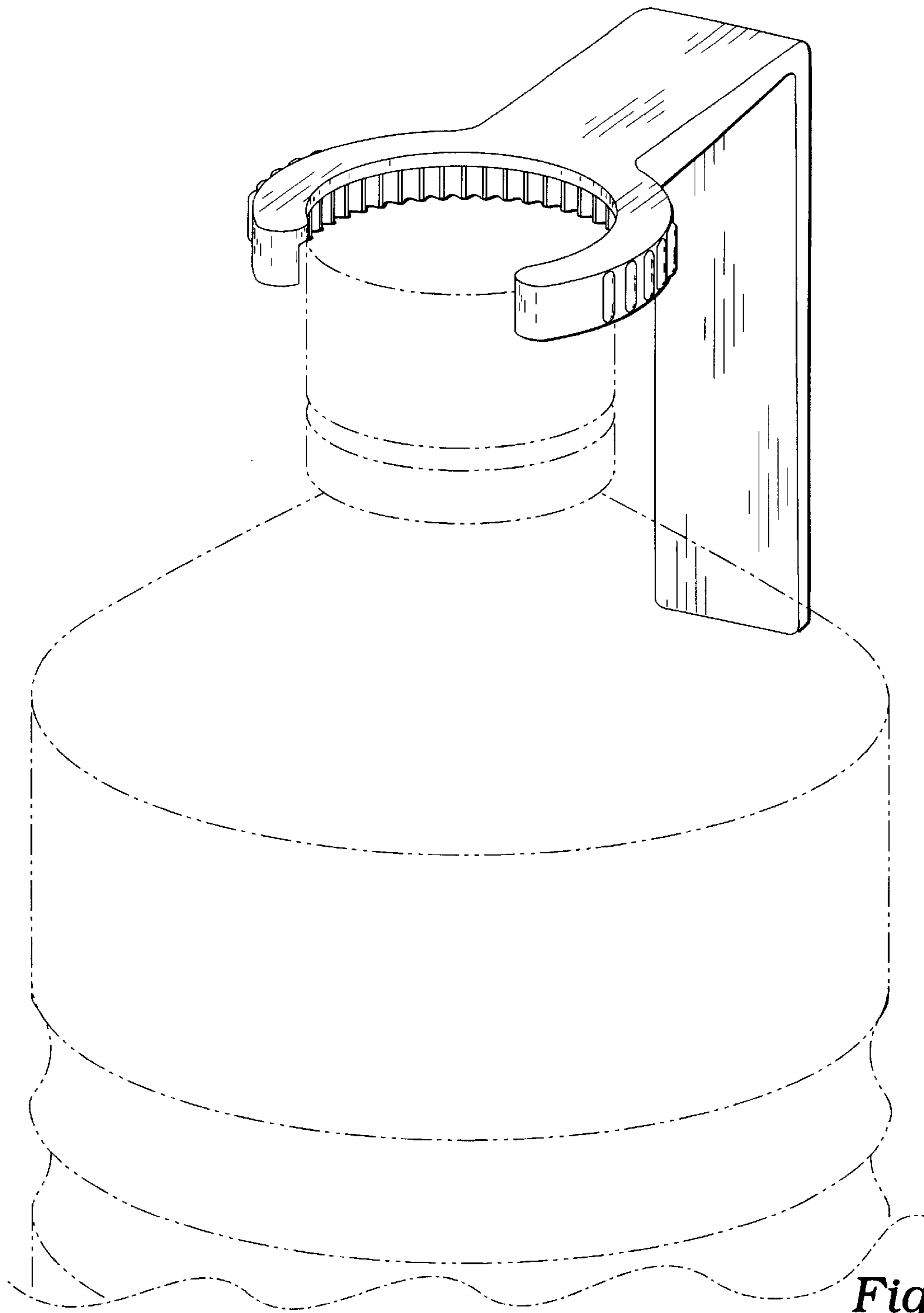


Fig. 7

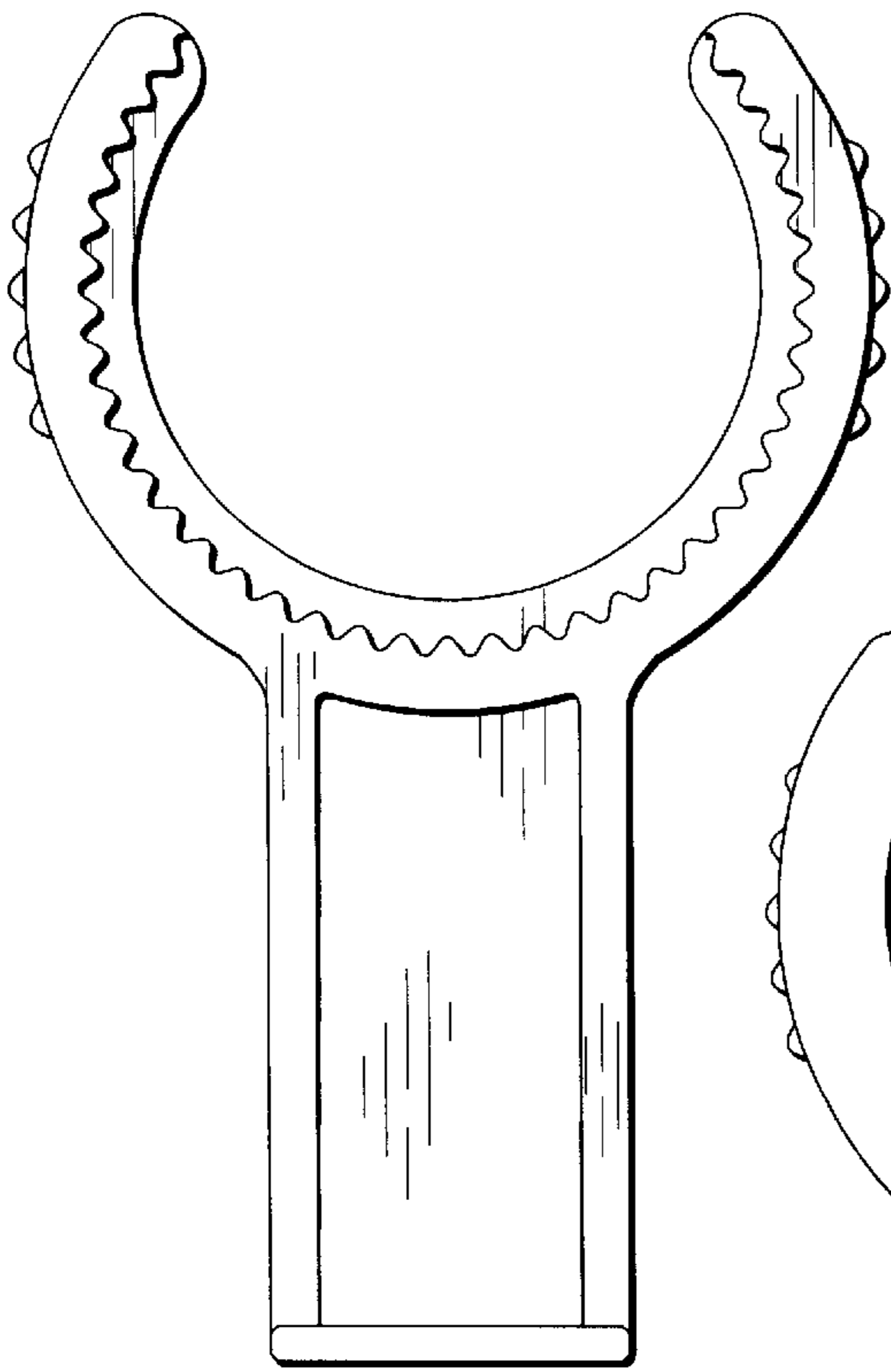


Fig. 8

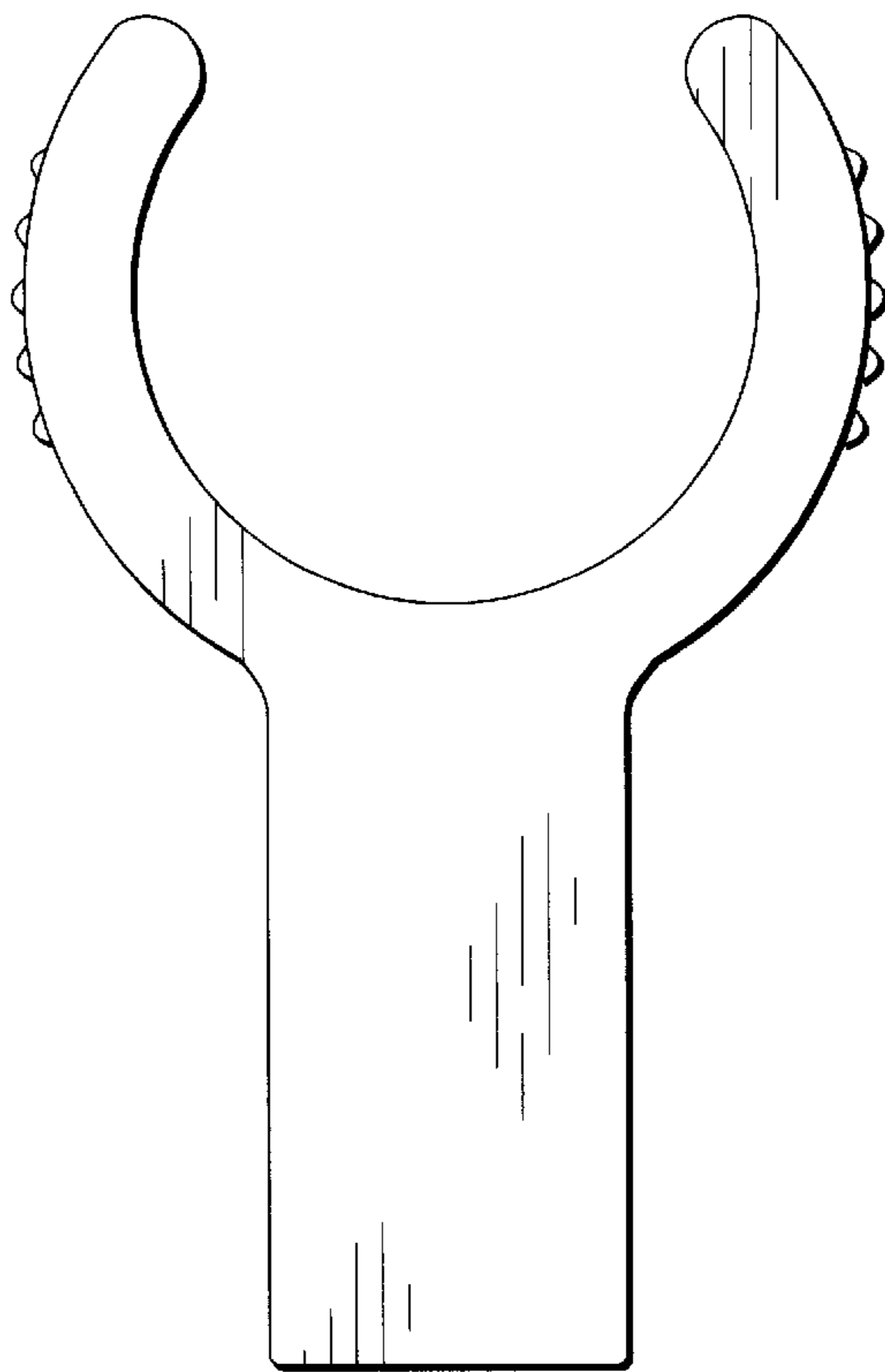


Fig. 9

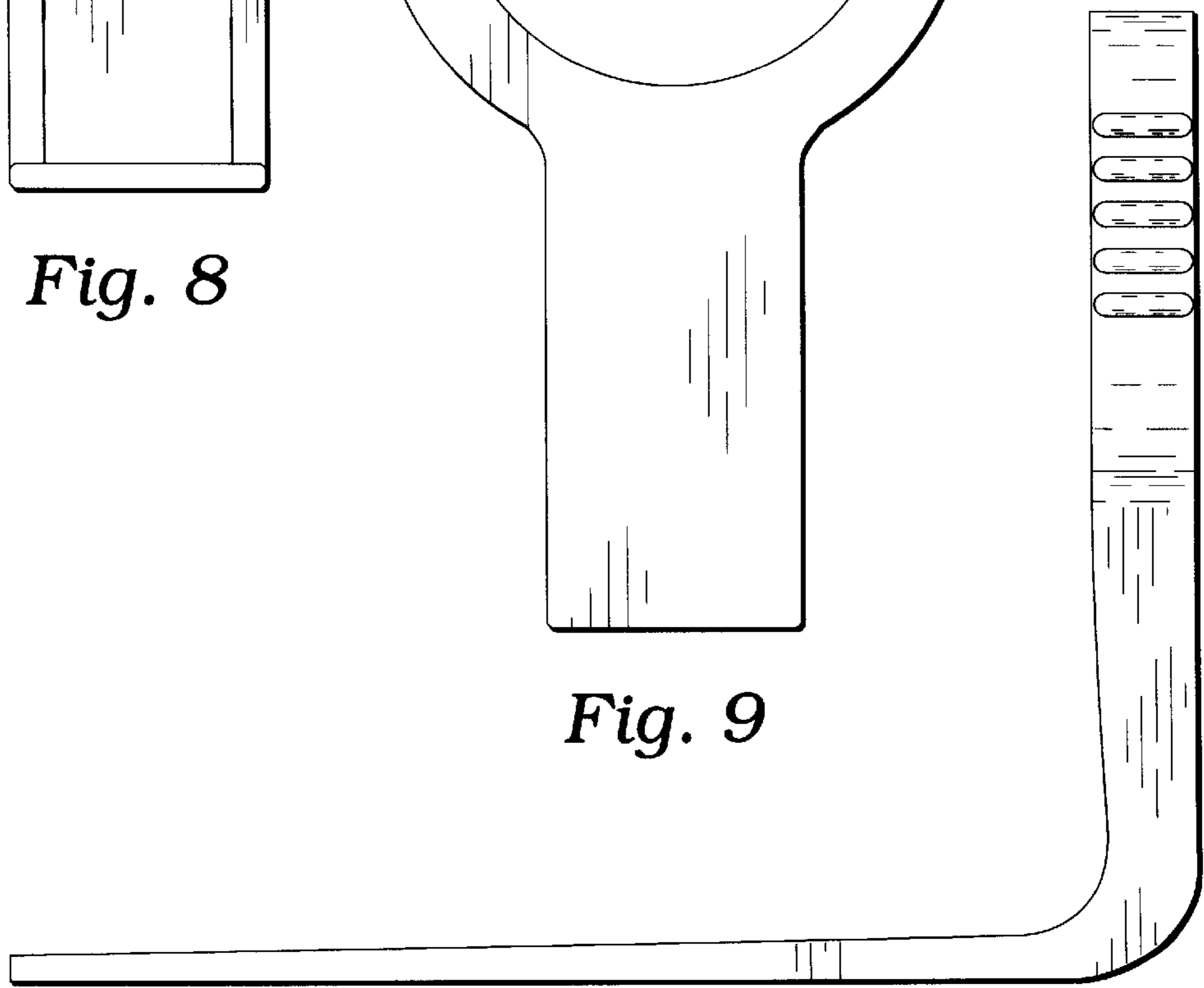


Fig. 10