



US00D460660S

(12) **United States Design Patent**
Fischer et al.

(10) **Patent No.:** **US D460,660 S**

(45) **Date of Patent:** **** Jul. 23, 2002**

(54) **TEA BREW BASKET**

OTHER PUBLICATIONS

(76) Inventors: **Rudolph Fischer**, 15432 Northstone Dr., Huntersville, NC (US) 28078; **Ron Hinson**, 893 Craigmont La., Concord, NC (US) 28027; **James D. Hinson, Jr.**, 251 Compton Park Rd., Statesville, NC (US) 28677; **Roland D. Wolfe**, 135 Ervin Ave. NW., Concord, NC (US) 28025

Photographs of a plastic brew basket, Bunn-o-matic Corp.
Photographs of a plastic brew basket, Bunn-o-matic Corp.
Photographs of a plastic brew basket, Bunn-o-matic Corp.
Photographs of a metal brew basket, Bloomfield.
Photographs of a metal brew basket, Bunn-o-matic Corp.
Photographs of a metal brew basket, Wilbur.
Photographs of a plastic tea brew basket, Bunn-o-matic Corp.
Mechanical drawings of a stainless steel basket, Bunn-o-matic Corp., Jun. 18, 1998.

(**) **Term:** **14 Years**

Primary Examiner—M. N. Pandozzi

(21) **Appl. No.:** **29/127,411**

(22) **Filed:** **Aug. 4, 2000**

(57) **CLAIM**

(51) **LOC (7) Cl.** **07-99**

The ornamental design for a tea brew basket, as shown and described.

(52) **U.S. Cl.** **D7/400**

(58) **Field of Search** D7/400; 99/295,
99/280, 289, 285, 306; 220/676, 62; 210/477,
474, 455

DESCRIPTION

(56) **References Cited**

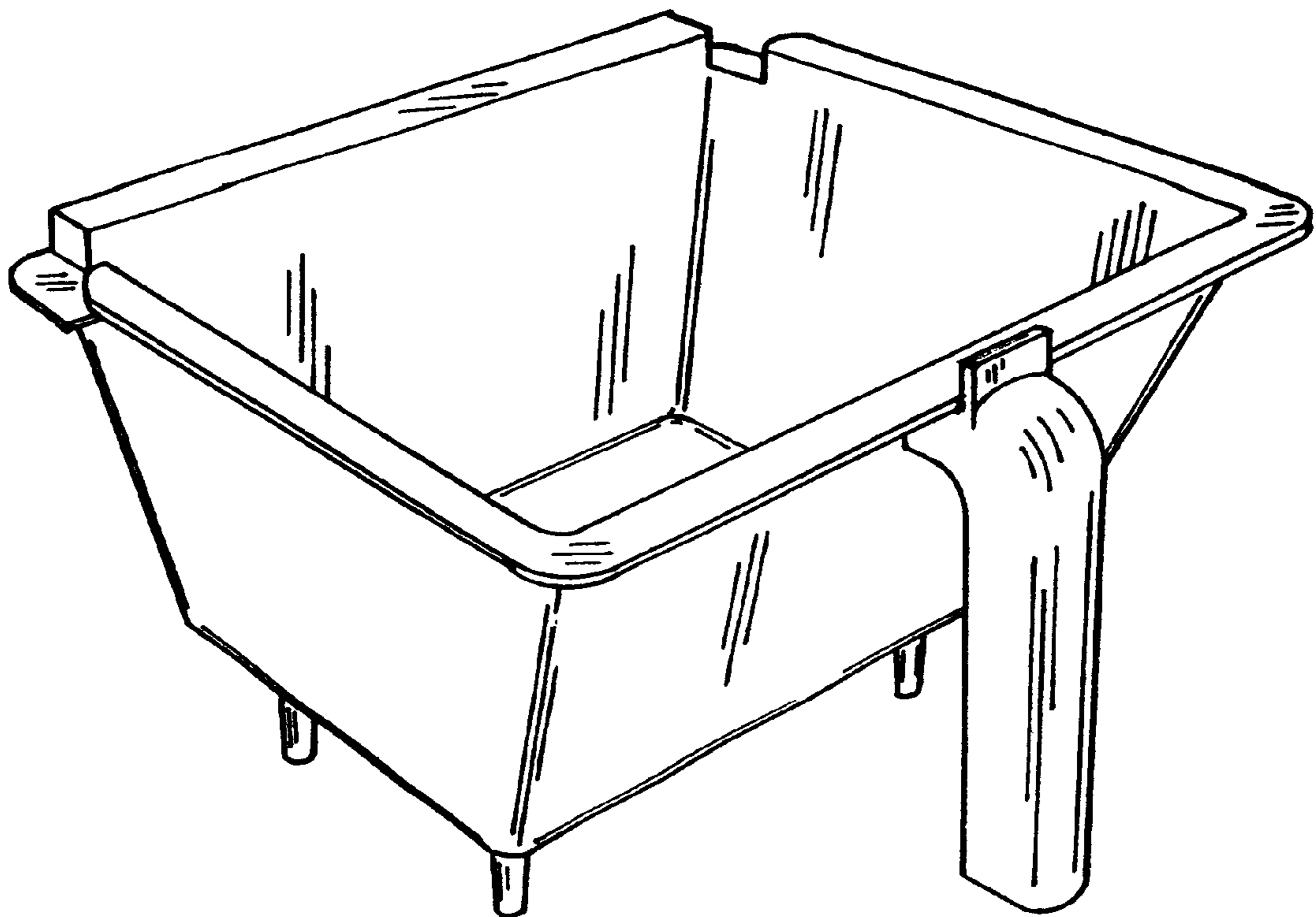
U.S. PATENT DOCUMENTS

3,610,132	A	*	10/1971	Martin et al.	99/295
D225,077	S	*	11/1972	Martin et al.	D7/400
D225,078	S	*	11/1972	Martin et al.	D7/400
3,719,282	A		3/1973	Schwartz	210/477
3,795,182	A		3/1974	Van Damme	99/306
3,935,112	A		1/1976	Greutert	210/456

FIG. 1 is a top left front perspective view of a tea brew basket showing our new design;
FIG. 2 is a top right rear perspective view thereof;
FIG. 3 is a front elevational view thereof;
FIG. 4 is a rear elevational view thereof;
FIG. 5 is a right side elevational view thereof;
FIG. 6 is a bottom view thereof; and,
FIG. 7 is a top view thereof.

(List continued on next page.)

1 Claim, 4 Drawing Sheets



US D460,660 S

Page 2

U.S. PATENT DOCUMENTS

4,149,454 A	4/1979	Kemp	99/295	5,290,444 A	3/1994	Campbell	210/473
4,280,401 A	7/1981	Cleland	99/295	5,309,820 A	5/1994	Baxter et al.	D7/400 X
D288,057 S	2/1987	Webster	D7/400	5,347,916 A	9/1994	Fond et al.	99/295
4,642,190 A	2/1987	Zimmerman	210/464	D360,106 S *	7/1995	Sintchak	D7/400
4,656,932 A *	4/1987	Kopp	99/295	5,515,771 A	5/1996	Smit	99/280
4,739,697 A	4/1988	Roberts	99/295	5,555,791 A	9/1996	McNeill et al.	99/295
4,794,853 A	1/1989	Weber	99/295	5,669,287 A	9/1997	Jefferson, Jr. et al.	99/299
4,825,757 A	5/1989	Stoner	99/279	5,687,636 A	11/1997	Diore et al.	99/285
4,832,845 A	5/1989	Hendretti	210/470	D389,697 S *	1/1998	Smit	D7/400
4,859,348 A	8/1989	Jusaitis et al.	210/799	5,725,765 A	3/1998	Shen	210/238
4,865,737 A	9/1989	McMichael	210/477	5,736,042 A	4/1998	Aoki	210/474
5,036,755 A	8/1991	Abdenour	99/306	5,778,764 A	7/1998	Nielsen	99/285
5,064,533 A	11/1991	Anson	210/232	5,813,319 A	9/1998	Lee	99/299
D322,735 S	12/1991	Morton	D7/400	5,826,493 A	10/1998	Tien Lin	99/306
D341,286 S	11/1993	Grykiewicz et al.	D7/400	5,870,943 A	2/1999	Levi et al.	99/287
RE34,473 E	12/1993	Ryan et al.	99/307	D423,284 S *	4/2000	Fischer	D7/400
D341,992 S	12/1993	Gasser	D7/400	D442,430 S *	5/2001	Pope	D7/400
5,287,797 A	2/1994	Grykiewicz et al.	99/295				

* cited by examiner

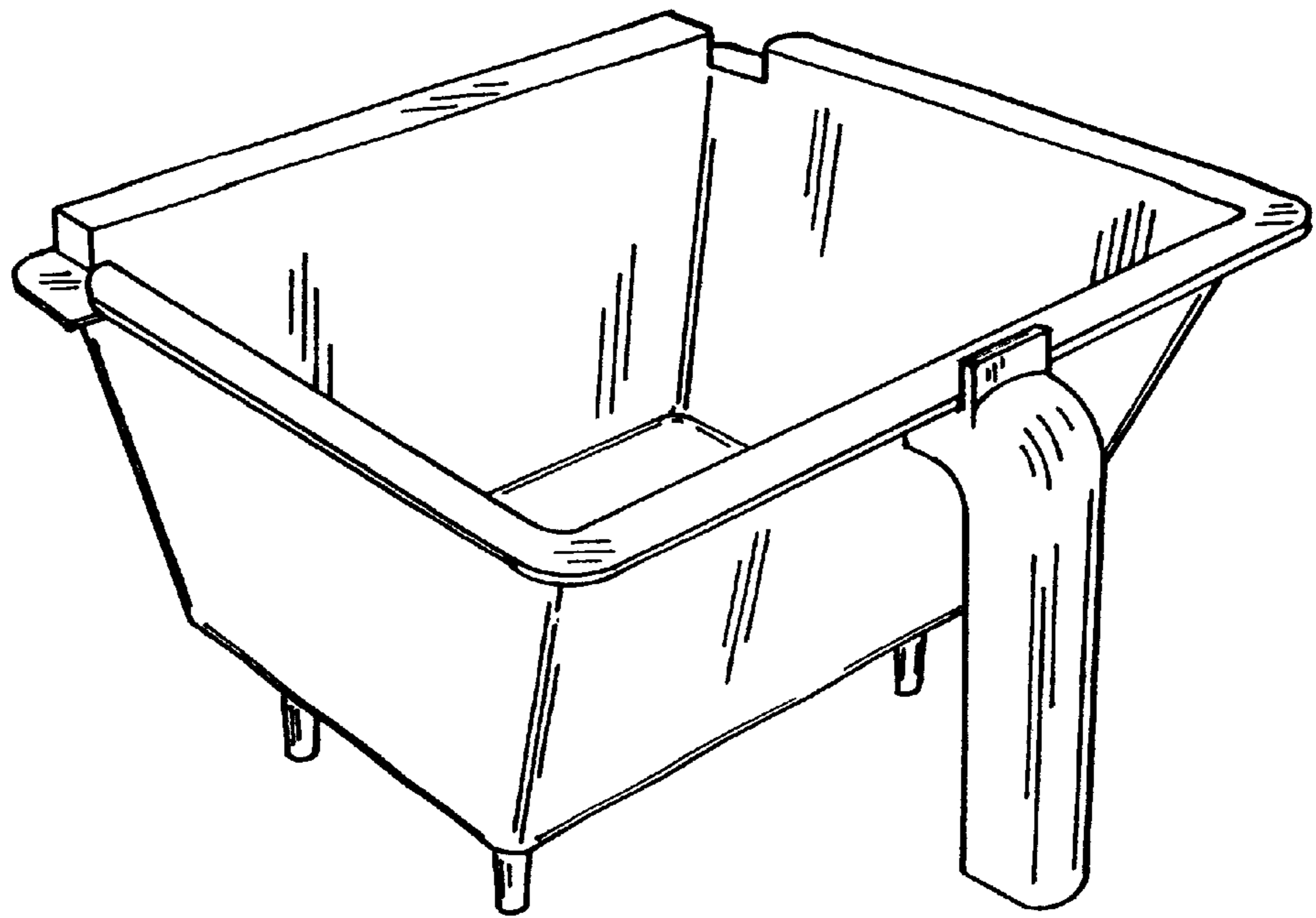
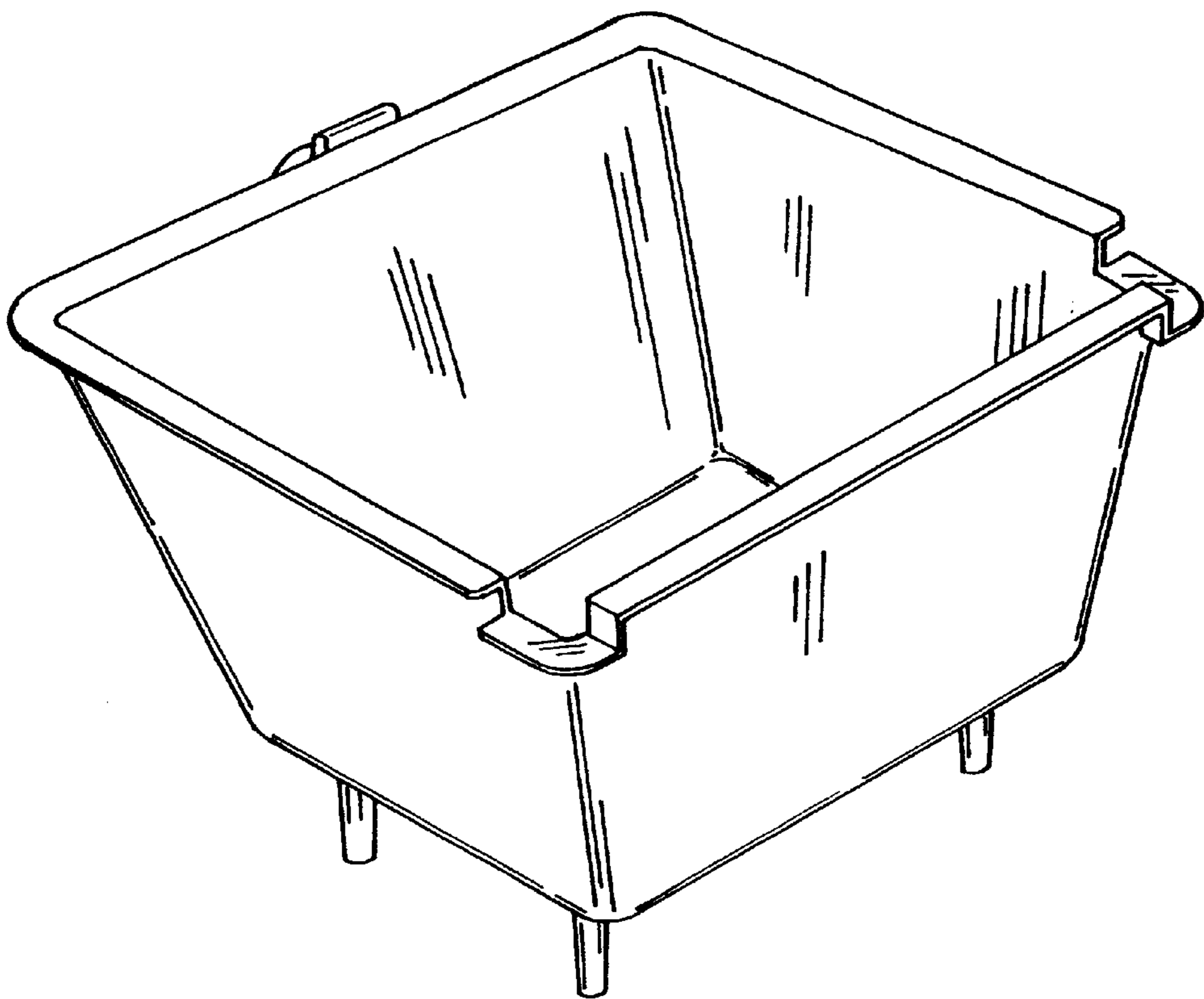


FIG. 1

FIG. 2



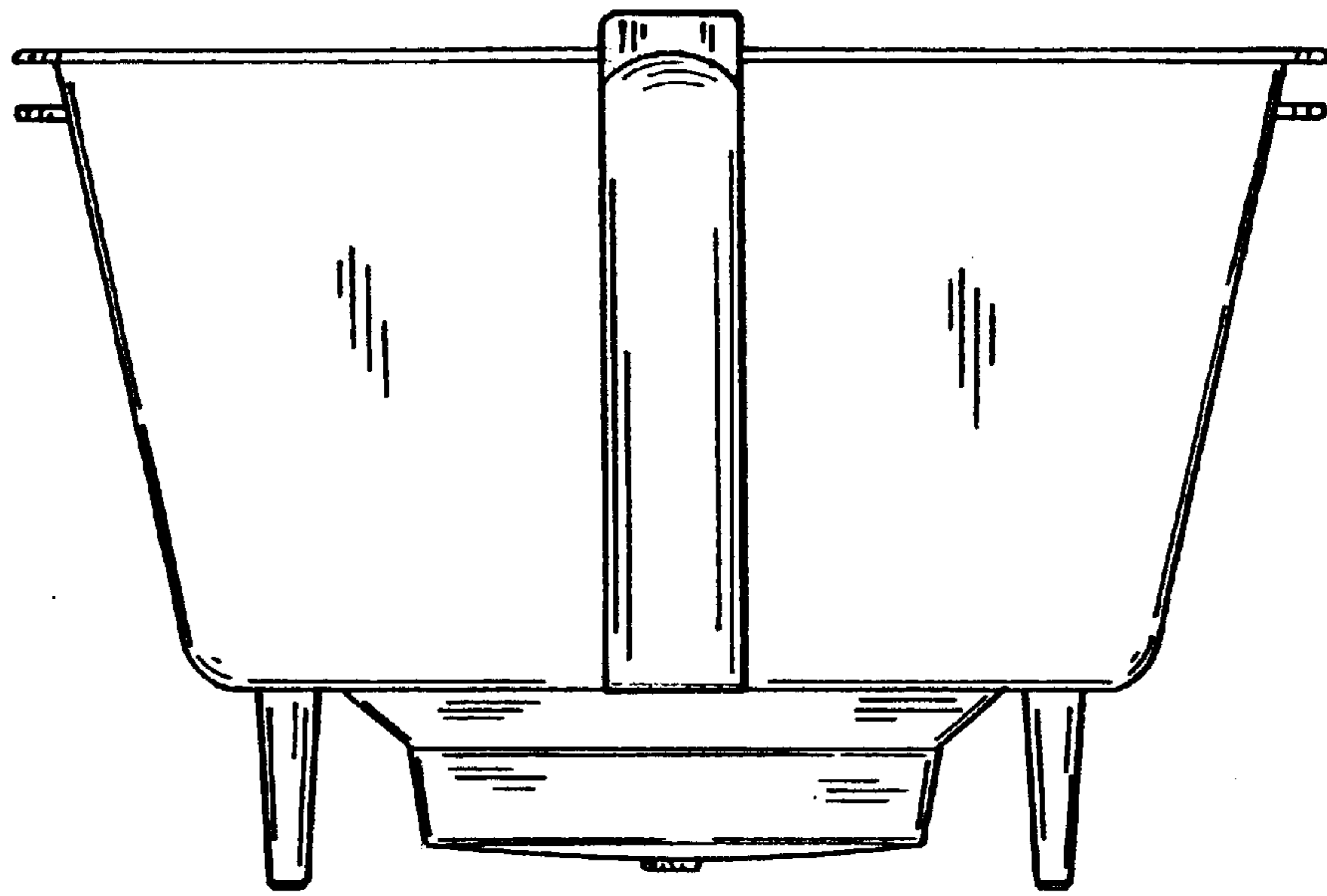
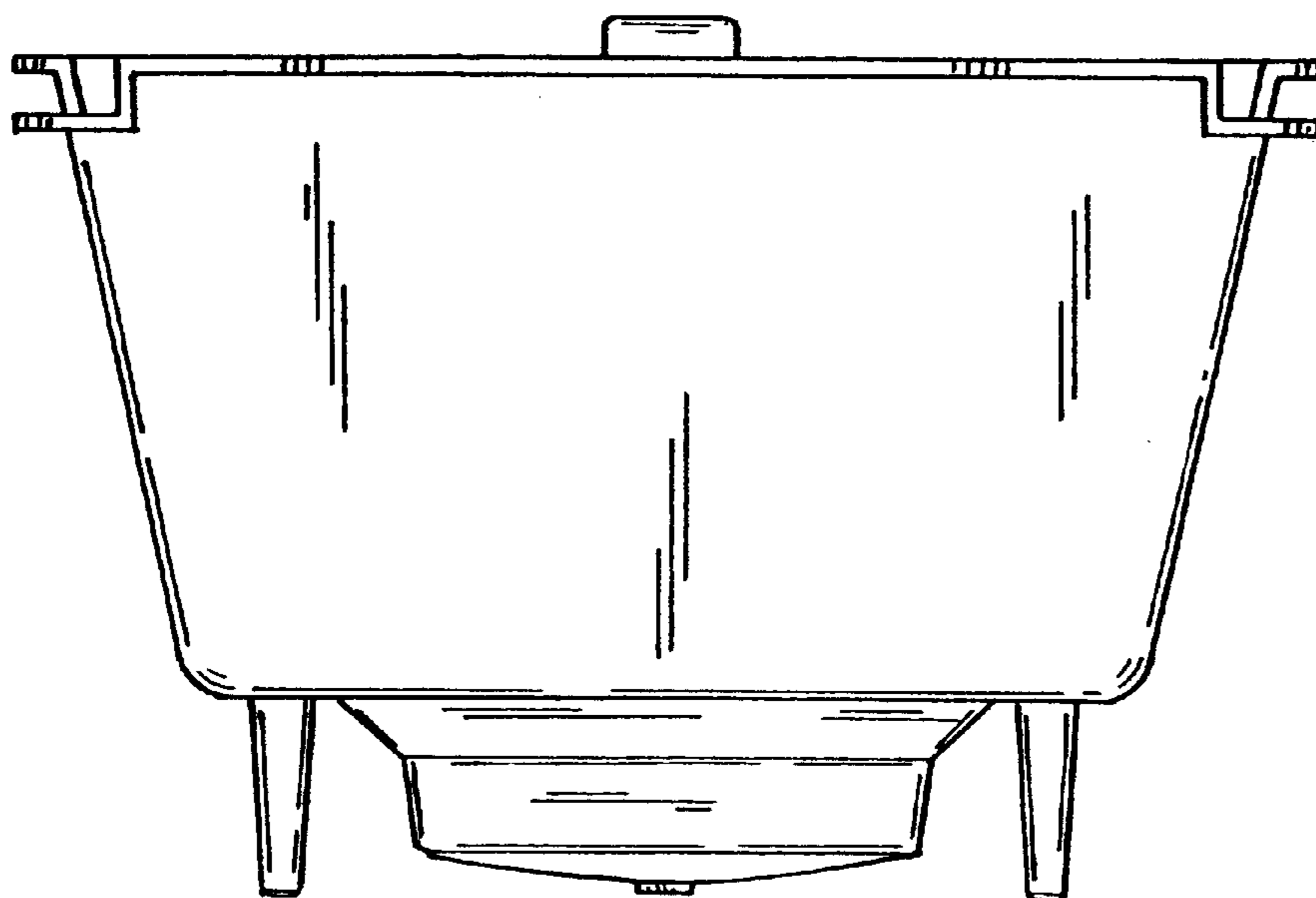


FIG. 3

FIG. 4



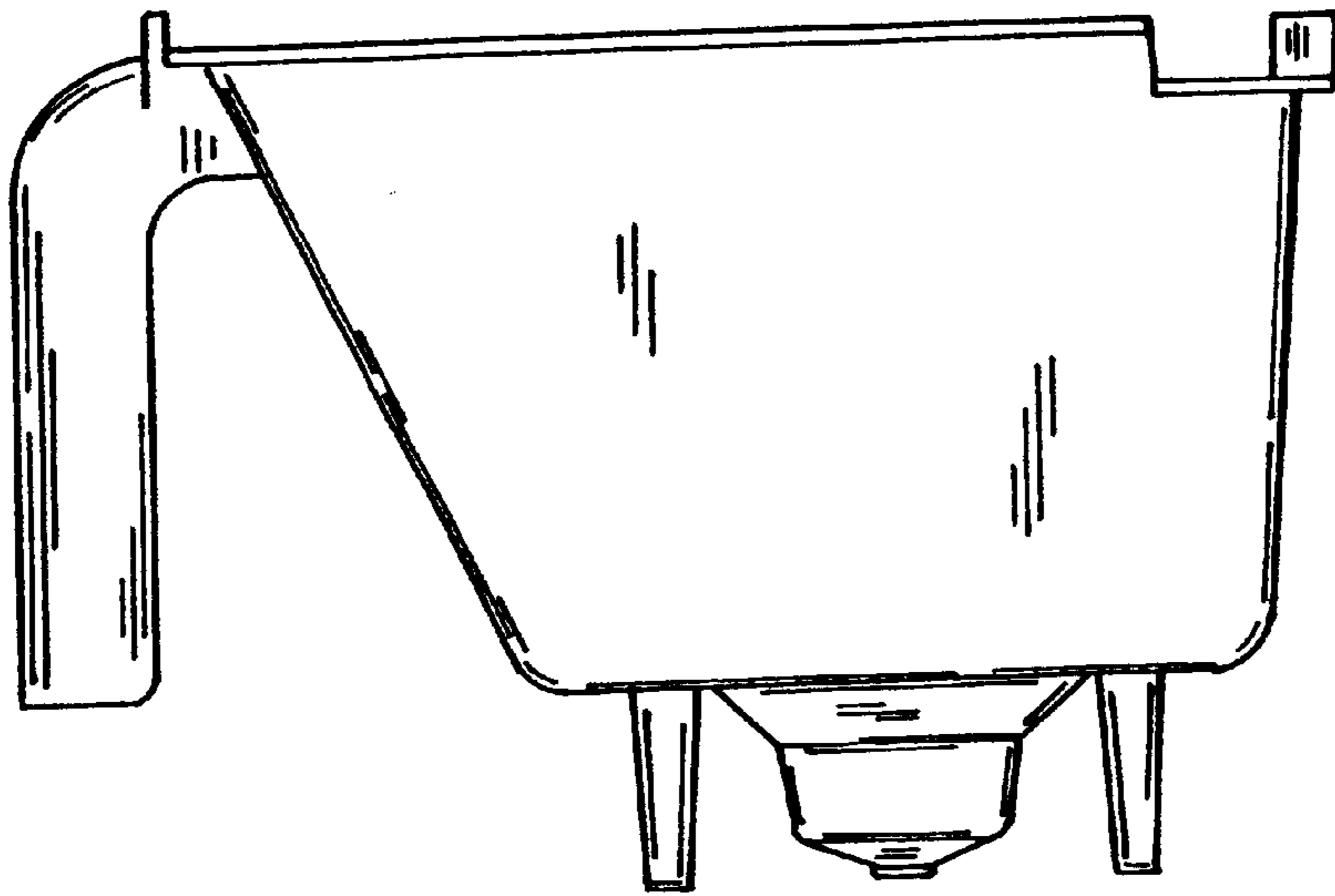
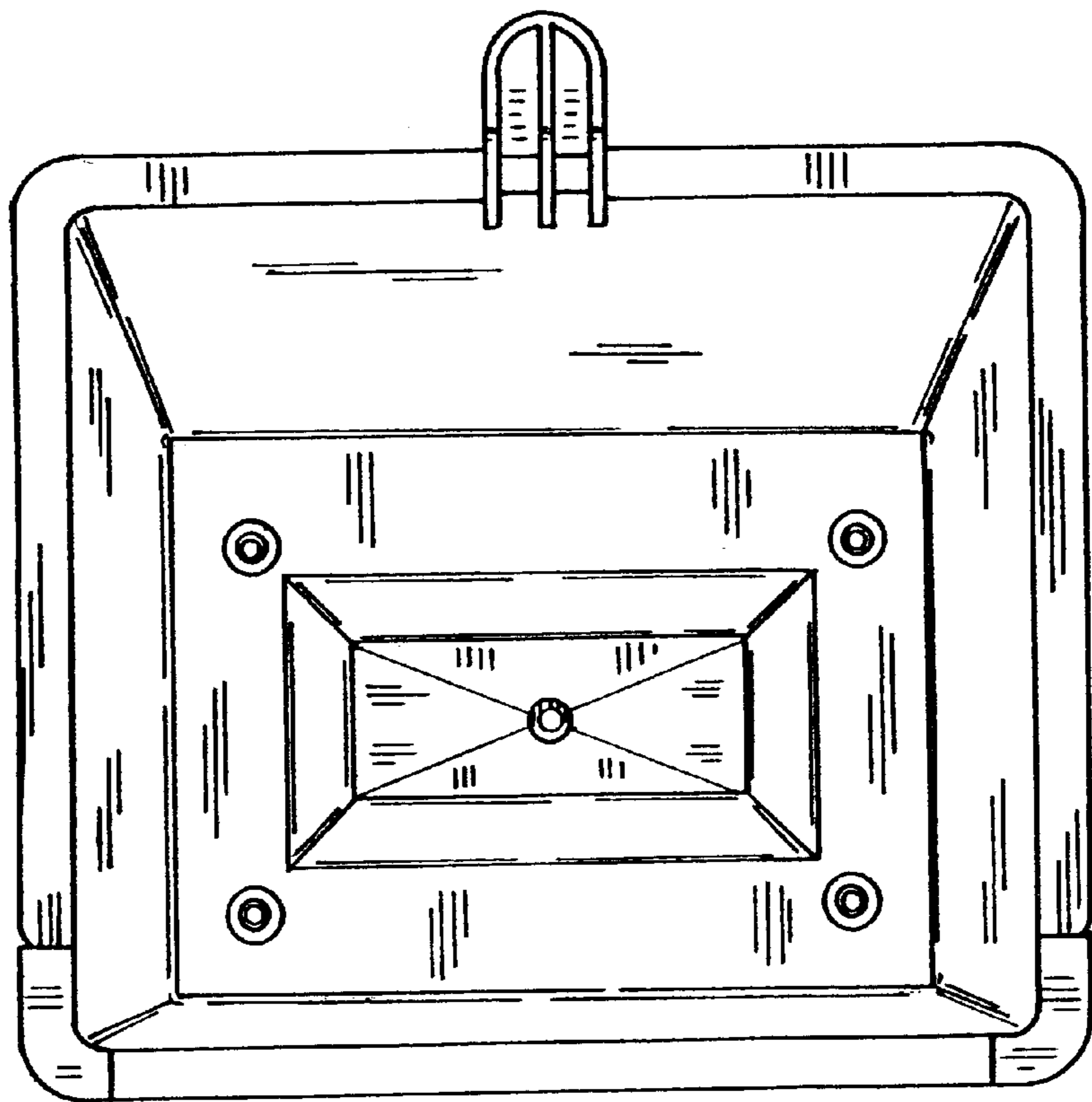


FIG. 5

FIG. 6



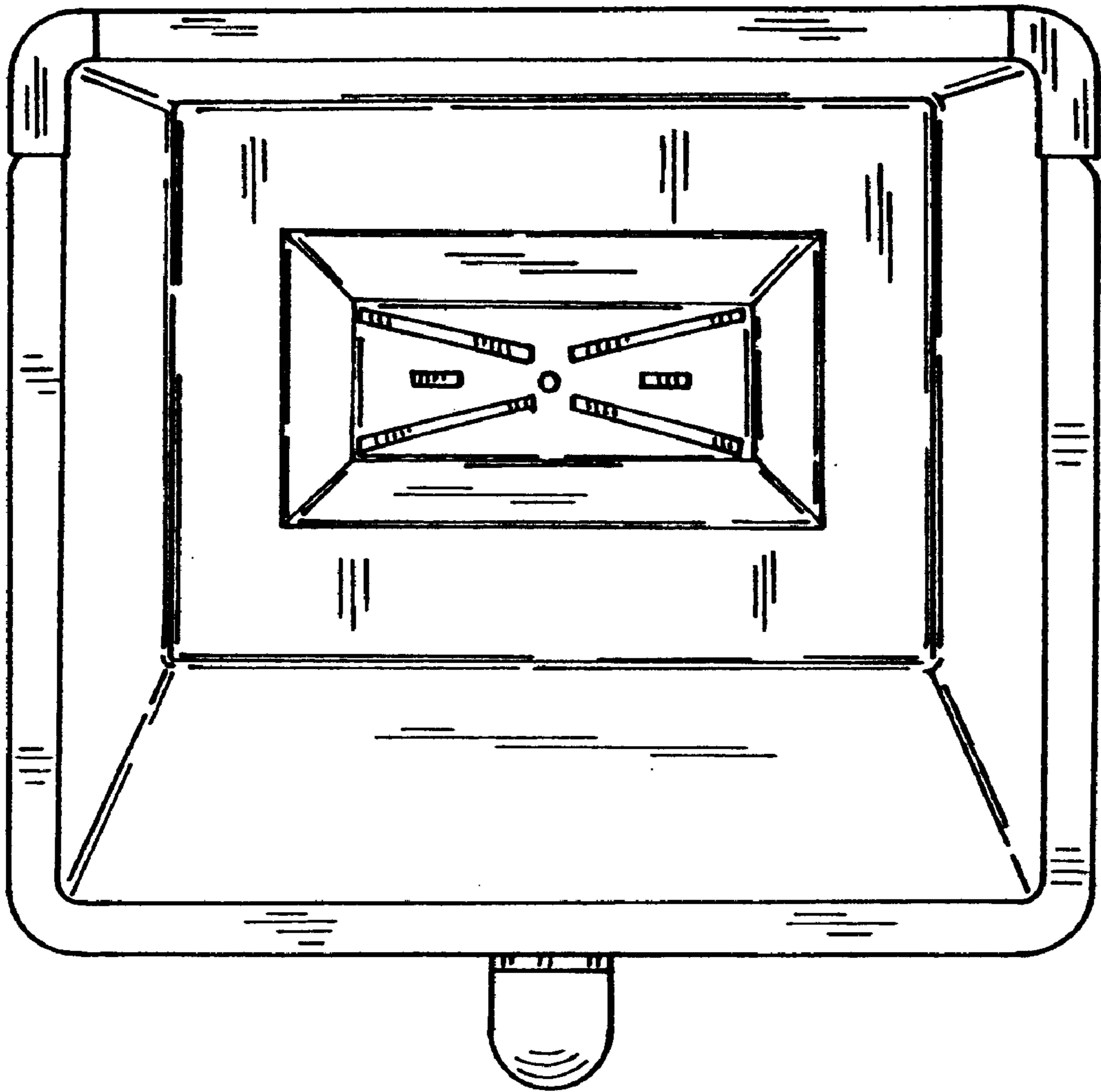


FIG. 7