



US00D460659S

(12) **United States Design Patent**
Hessen et al.

(10) **Patent No.:** **US D460,659 S**

(45) **Date of Patent:** **** Jul. 23, 2002**

(54) **OVER THE COUNTER MICROWAVE OVEN**

(75) Inventors: **William H. Hessen; Henry E. Cotter; Terril J. Johnson**, all of Memphis; **Oravimon C. Martin**, Bartlett, all of TN (US)

(73) Assignee: **Sharp Manufacturing Company of America**, Memphis, TN (US)

(**) Term: **14 Years**

(21) Appl. No.: **29/153,701**

(22) Filed: **Jan. 8, 2002**

(51) **LOC (7) Cl.** **07-02**

(52) **U.S. Cl.** **D7/351**

(58) **Field of Search** D7/350.1, 350.3, D7/350.4, 351, 402, 405-406; 126/273 A, 275, 275 E, 19 M, 21 R; 219/678, 756-758; 99/DIG. 14, 341

(56) **References Cited**

U.S. PATENT DOCUMENTS

- D310,616 S * 9/1990 Murai et al. D7/351
- D381,862 S * 8/1997 Noda et al. D7/351
- D413,482 S * 9/1999 Sugimoto et al. D7/351
- D431,957 S * 10/2000 Taira D7/351

- D433,268 S * 11/2000 Taira D7/351
- D433,269 S * 11/2000 Taira D7/351
- D436,285 S * 1/2001 Taira D7/351

* cited by examiner

Primary Examiner—Ruth McInroy

(74) *Attorney, Agent, or Firm*—Walker, McKenzie & Walker, P.C.

(57) **CLAIM**

The ornamental design for an over the counter microwave oven, as shown and described.

DESCRIPTION

FIG. 1 is a front and right side perspective view of an over the counter microwave oven showing our new design; FIG. 2 is a front elevational view thereof; FIG. 3 is a top plan view thereof; FIG. 4 is a right side elevation view thereof; FIG. 5 is a right side elevation view thereof; FIG. 6 is a left side elevation view thereof; and, FIG. 7 is a bottom, front and right side perspective view thereof.

The details shown in broken lines in FIGS. 1, 2, 4, 5, 6 and 7 are for illustrative purposes only and form no part of the claimed design.

1 Claim, 4 Drawing Sheets

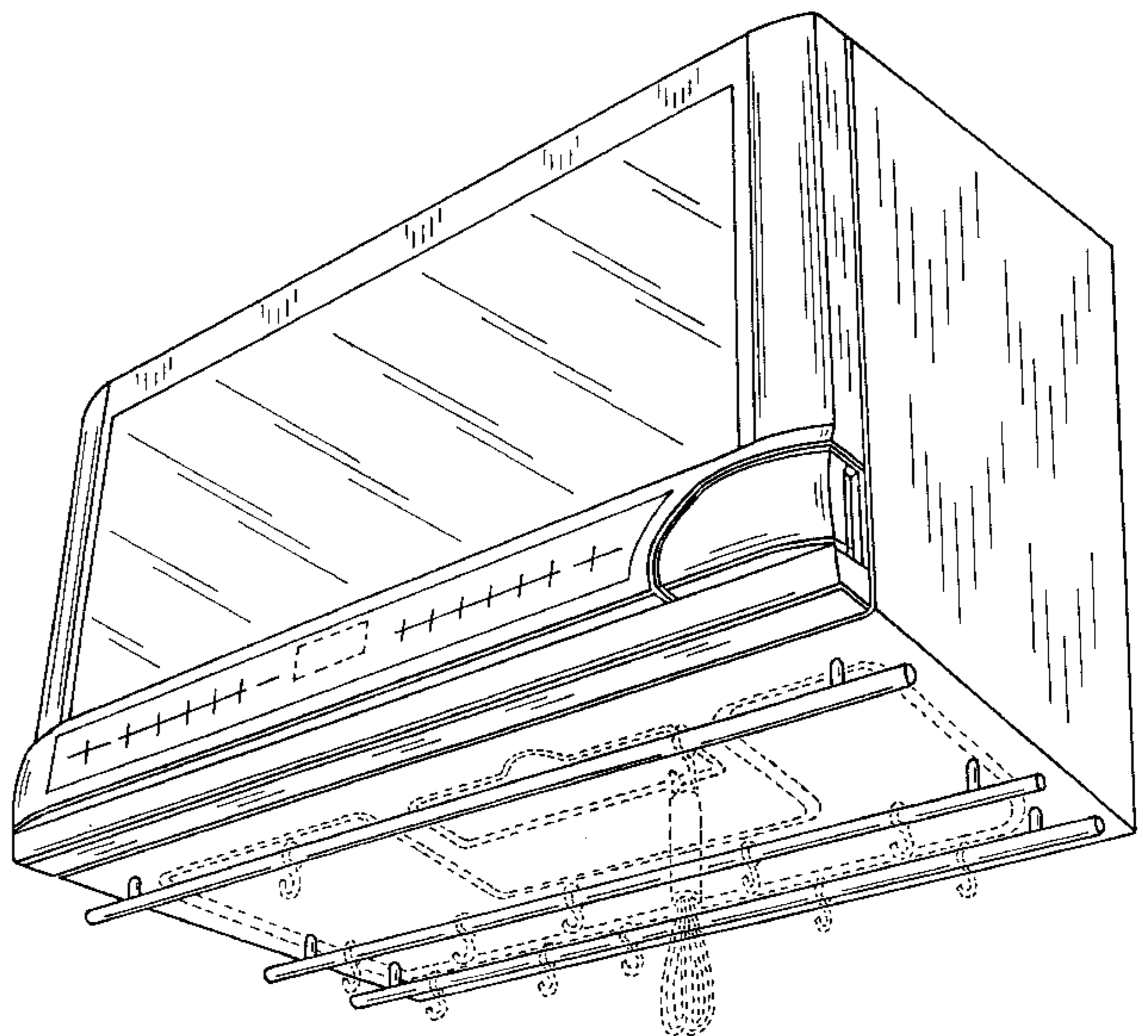
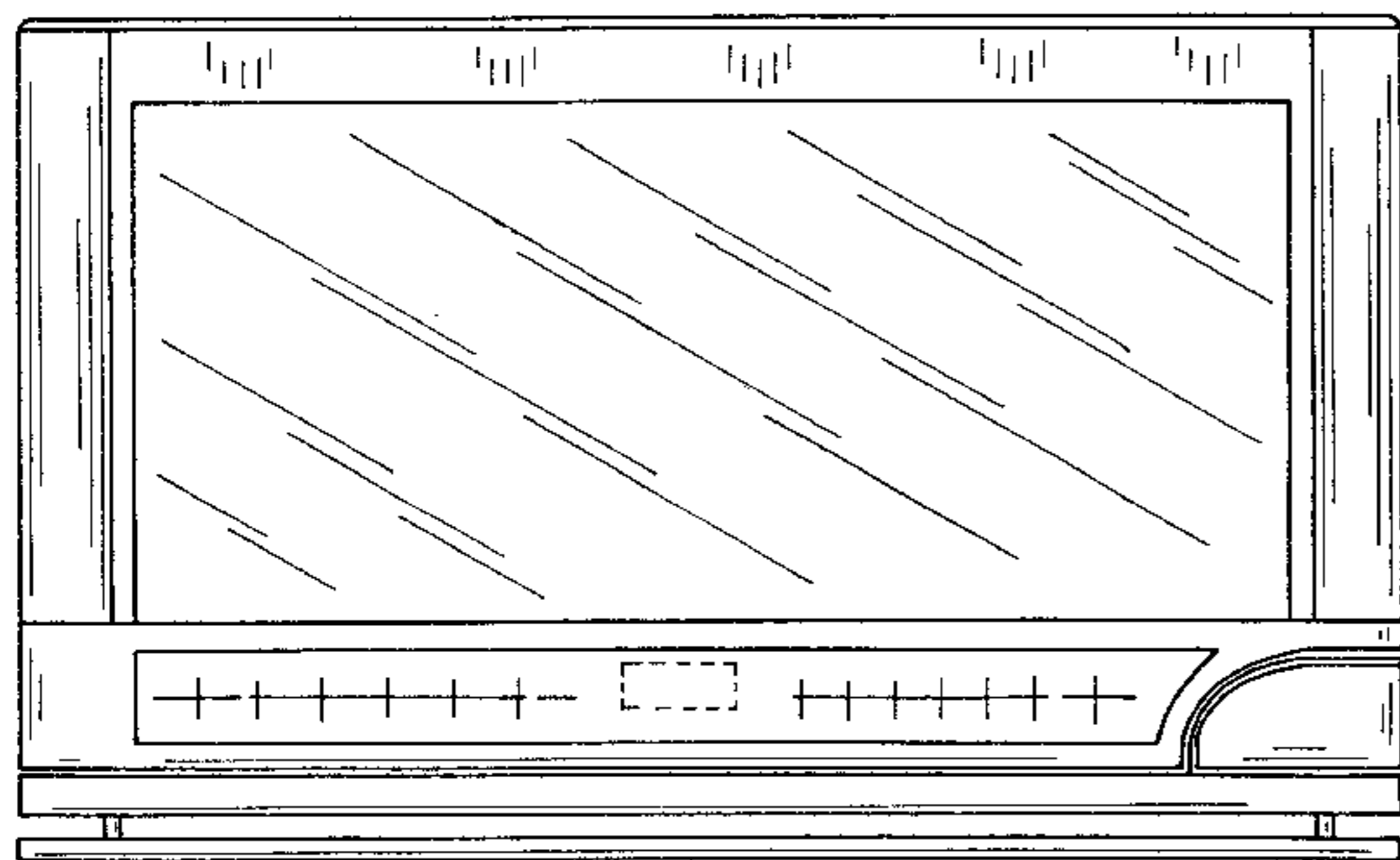
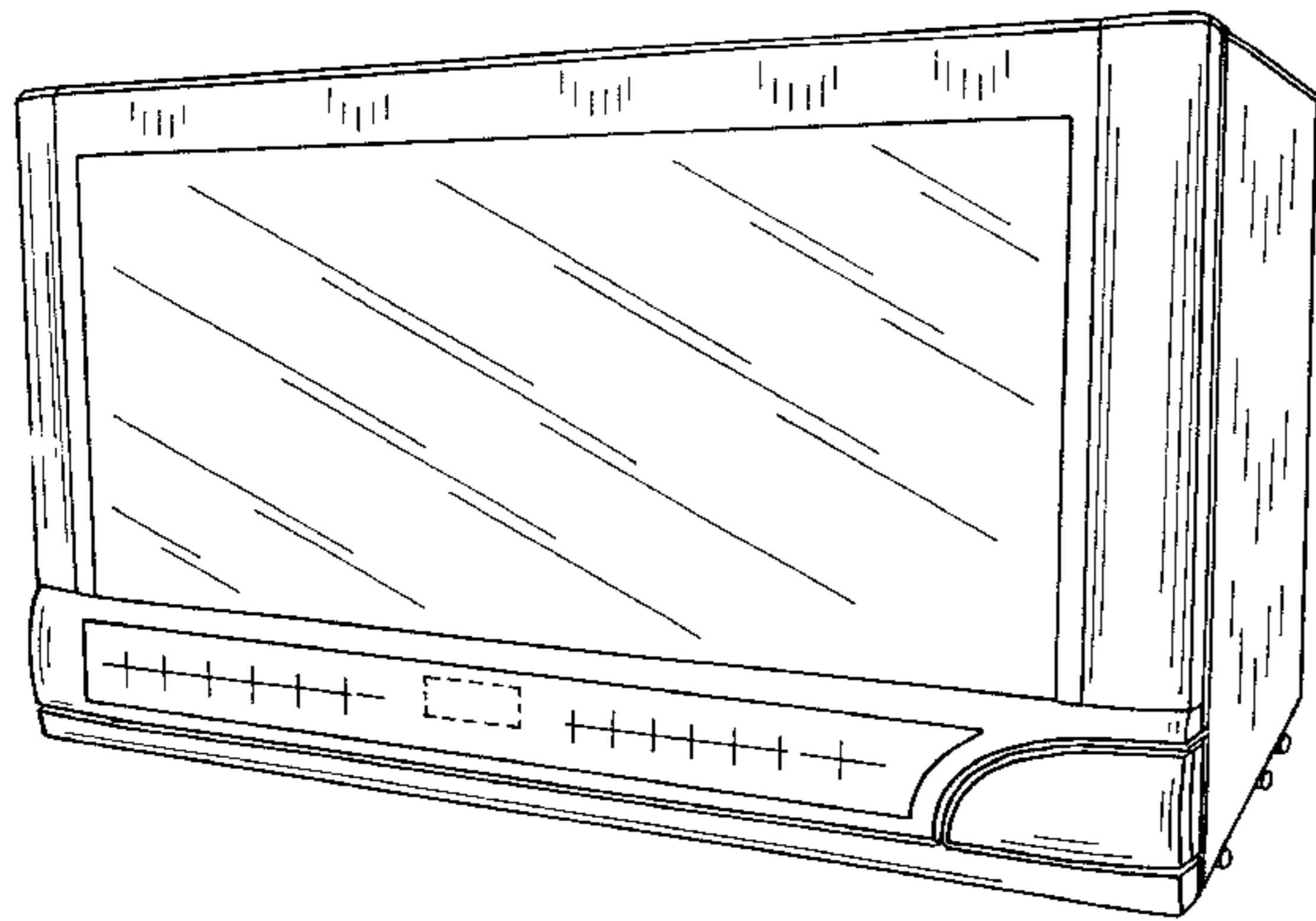


FIG. 1

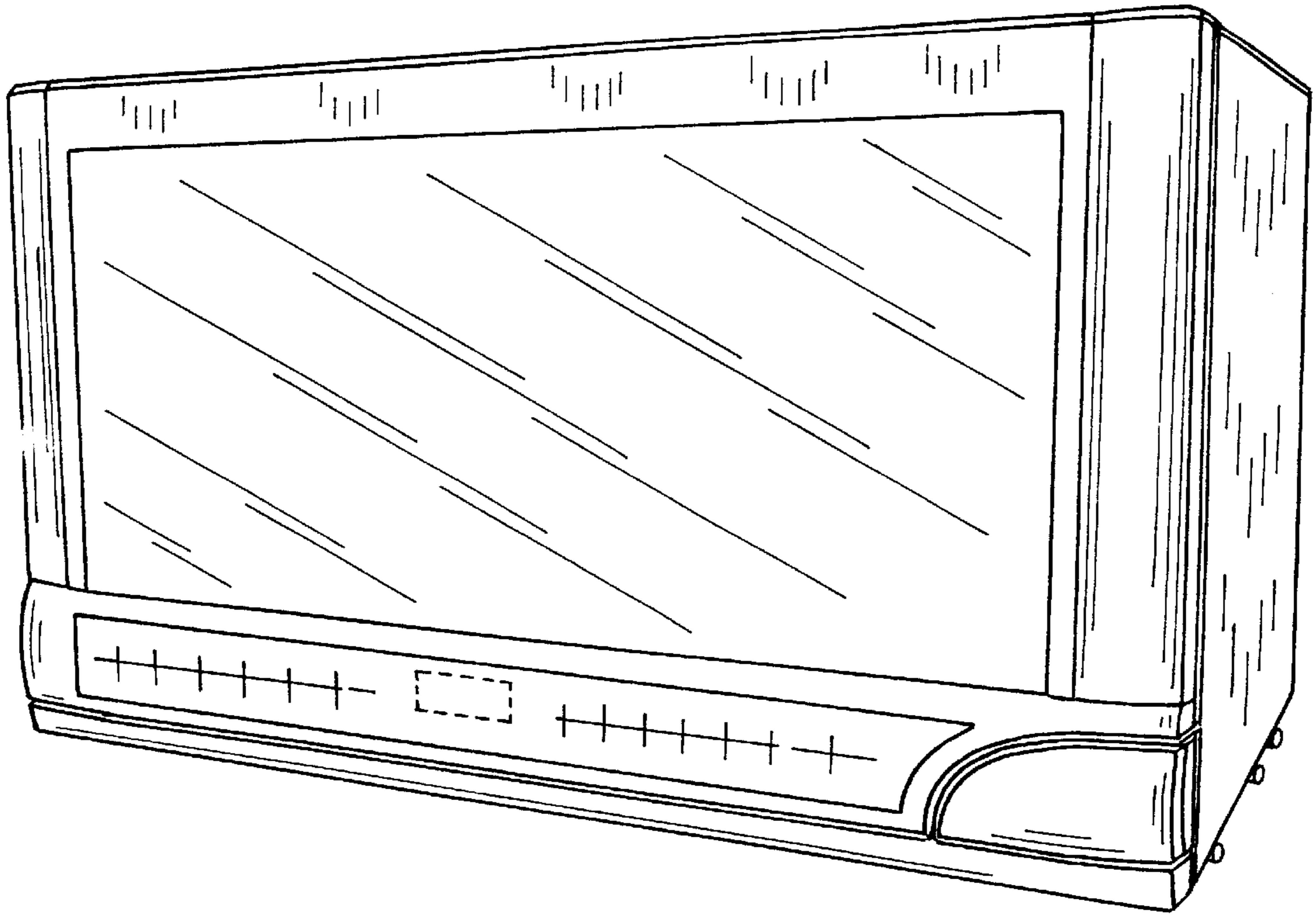


FIG. 2

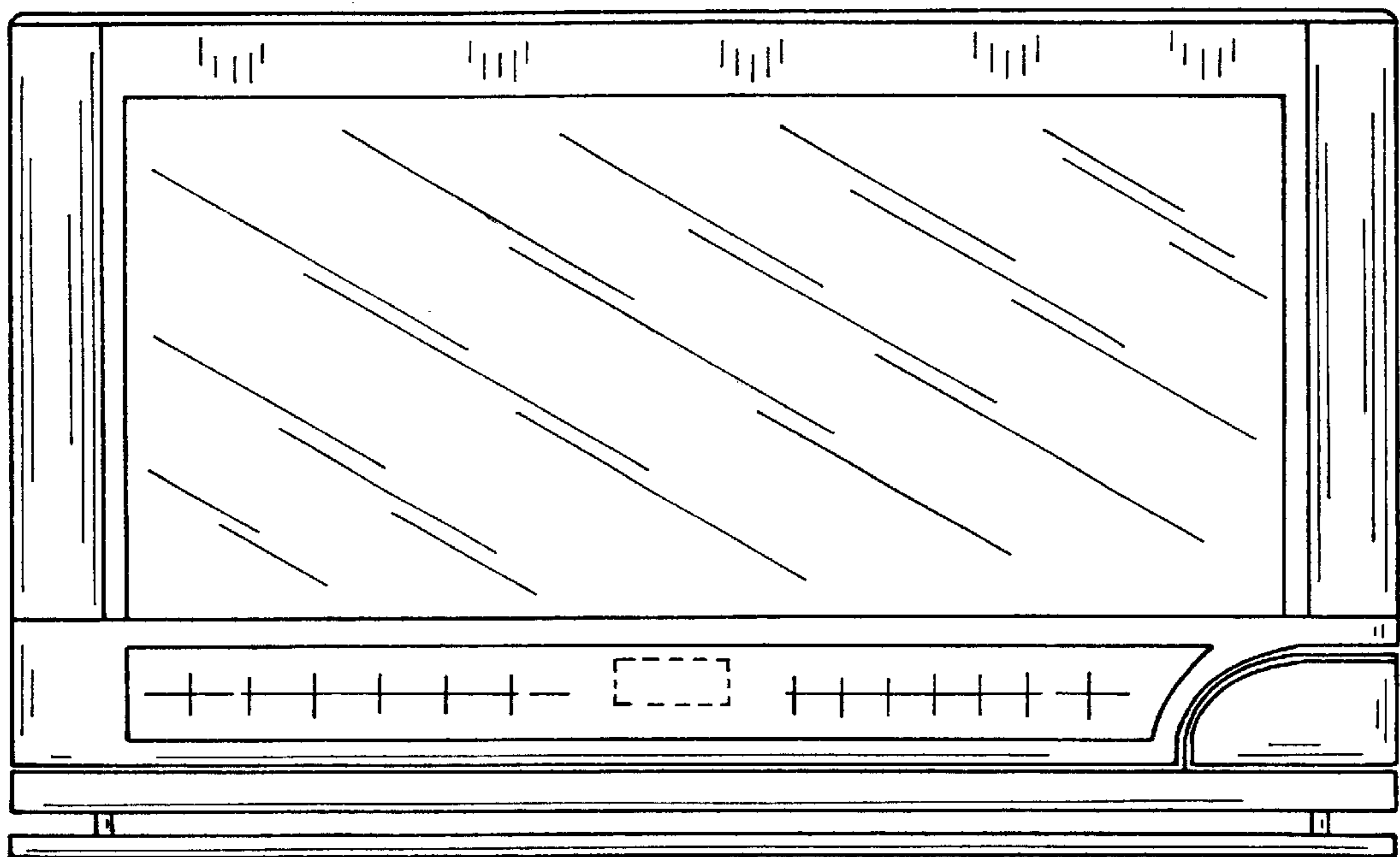


FIG. 3

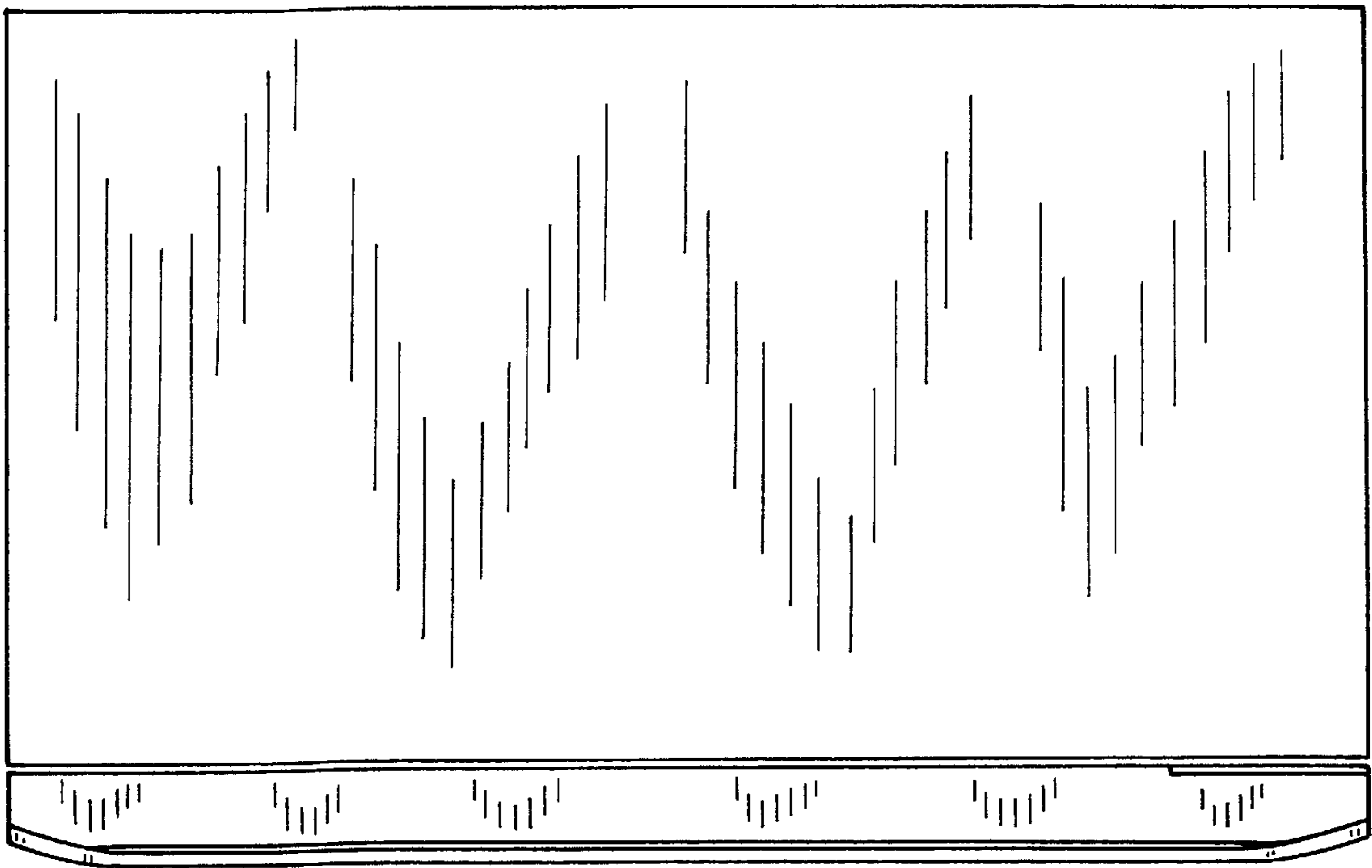


FIG. 4

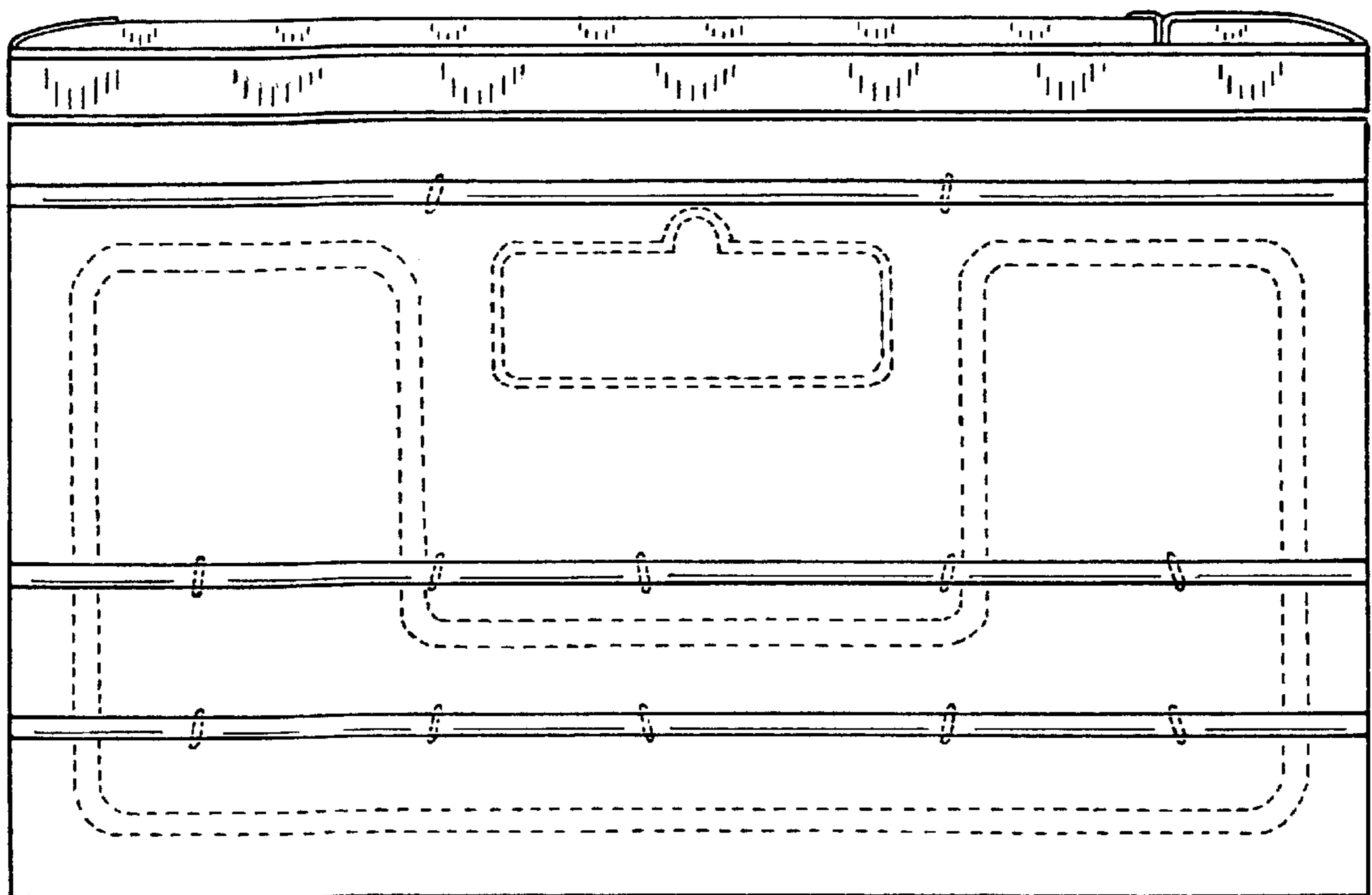


FIG. 5

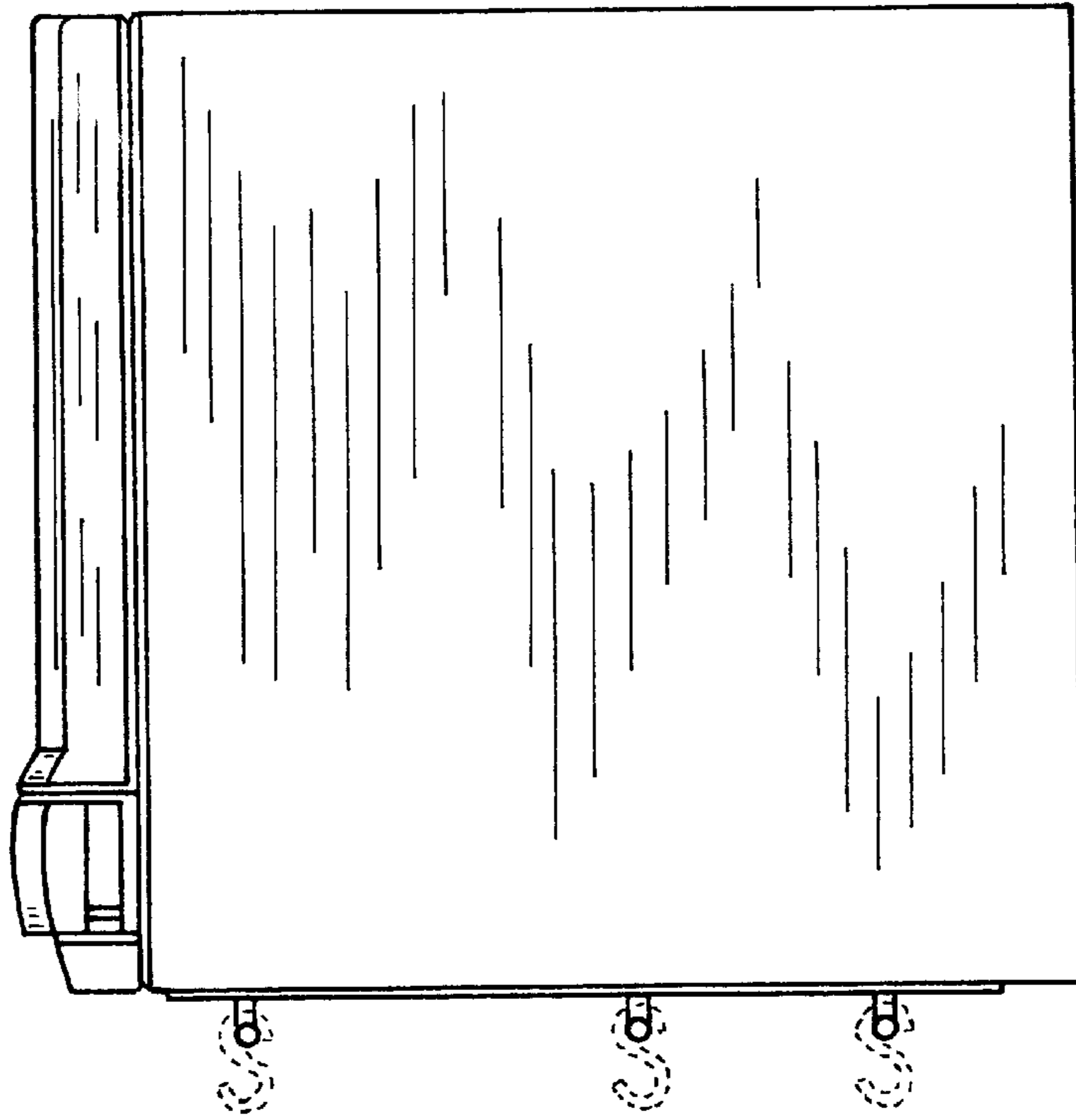
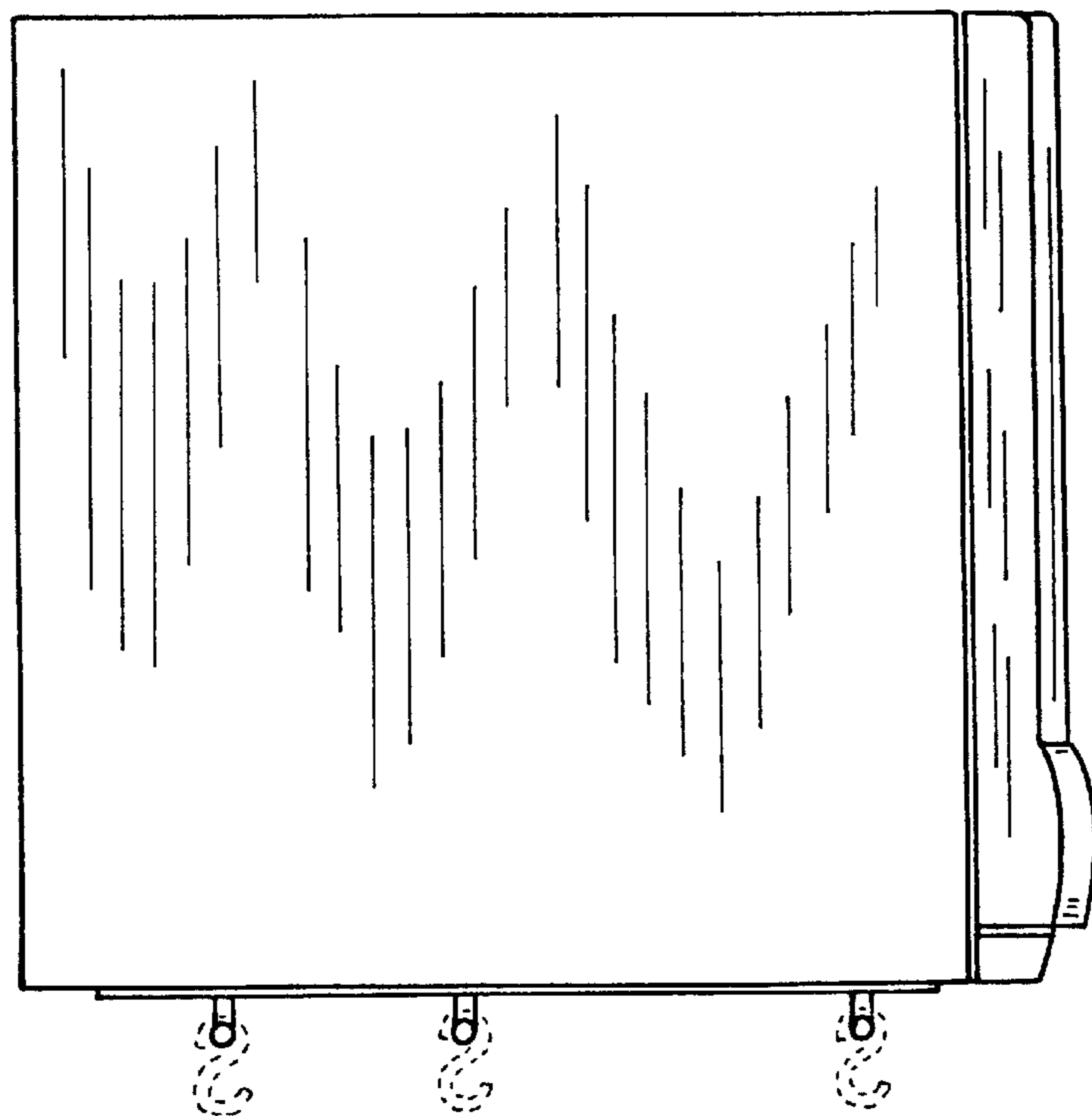


FIG. 6



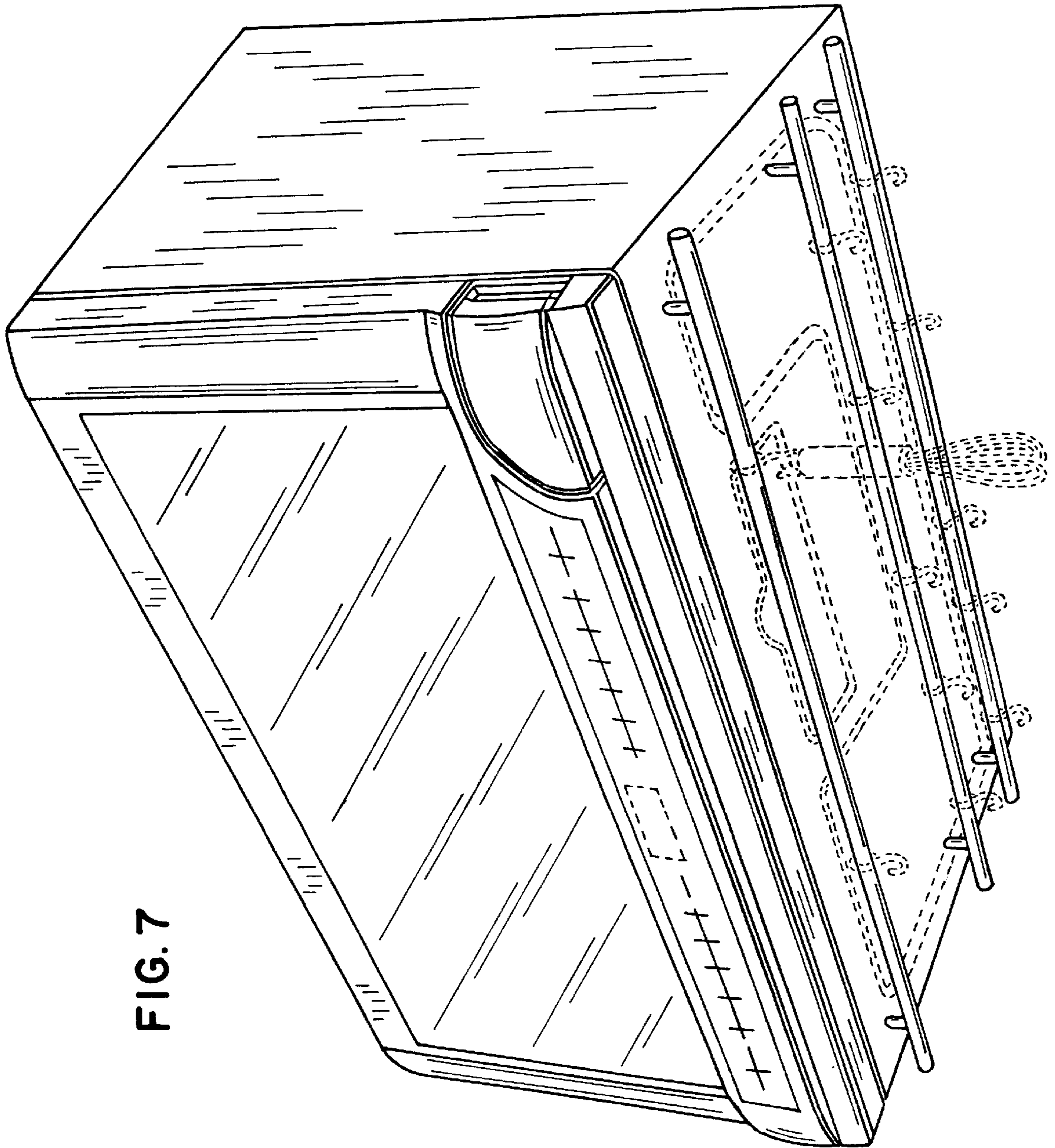


FIG. 7