



US00D460657S

(12) **United States Design Patent**  
**Bossler**

(10) **Patent No.:** **US D460,657 S**

(45) **Date of Patent:** **\*\* Jul. 23, 2002**

(54) **OVAL KETTLE-TYPE BARBECUE GRILL**

D435,387 S 12/2000 Pai  
6,155,248 A \* 12/2000 Schlosser et al. .... 126/242

(75) Inventor: **Martin C. Bossler**, Spring Grove, IL (US)

**OTHER PUBLICATIONS**

(73) Assignee: **Uniflame Corporation**, Zion, IL (US)

In re Weber-Stephen Products Co.; 3 USPQ2d (TTAB 1987) pp. 1660-1670.

(\*\*) Term: **14 Years**

\* cited by examiner

(21) Appl. No.: **29/146,559**

*Primary Examiner*—Ruth McInroy

(22) Filed: **Aug. 10, 2001**

(74) *Attorney, Agent, or Firm*—Greer, Burns & Crain, Ltd.

(51) **LOC (7) Cl.** ..... **07-02**

(52) **U.S. Cl.** ..... **D7/334**

(58) **Field of Search** ..... D7/332, 334-337,  
D7/402-404; 126/25 R, 25 A, 25 AA, 9 R,  
9 B, 29-30, 41 R; 99/421 R, 444

(57) **CLAIM**

The ornamental design for an oval kettle-type barbecue grill, as shown and described.

(56) **References Cited**

**DESCRIPTION**

**U.S. PATENT DOCUMENTS**

2,641,243 A	6/1953	Goss	
3,330,266 A	7/1967	Stephen	
D223,042 S	* 2/1972	Wilkinson et al. ....	D7/334
D295,135 S	* 4/1988	Ogden .....	D7/334
D315,079 S	* 3/1991	Jui-Yen .....	D7/334
5,016,607 A	5/1991	Doolittle et al.	
5,036,832 A	* 8/1991	Schlosser et al. ....	126/243
D322,909 S	1/1992	Parent et al.	
D325,315 S	4/1992	Parent et al.	
D325,316 S	4/1992	Parent et al.	
D325,318 S	4/1992	Parent et al.	
D327,805 S	7/1992	Parent et al.	
5,582,094 A	12/1996	Peterson et al.	
D381,860 S	* 8/1997	Chiang .....	D7/334
D409,436 S	* 5/1999	Smith .....	D7/334
D412,086 S	7/1999	Bossler	
D414,374 S	* 9/1999	Ting .....	D7/334
D415,653 S	10/1999	Schlosser et al.	

FIG. 1 is a perspective view of a first embodiment of an oval kettle-type barbecue grill showing my new design; FIG. 2 is a front view of FIG. 1; FIG. 3 is a right side view of FIG. 1; FIG. 4 is a left side view of FIG. 1; FIG. 5 is a rear view of FIG. 1; FIG. 6 is a top view of FIG. 1; FIG. 7 is a bottom view of FIG. 1; FIG. 8 is a perspective view of a second embodiment thereof; FIG. 9 is a front view of FIG. 8; FIG. 10 is a right side view of FIG. 8; FIG. 11 is a left side view of FIG. 8; FIG. 12 is a rear view of FIG. 8; FIG. 13 is a top view of FIG. 8; and, FIG. 14 is a bottom view of FIG. 8.

The broken lines showing the vents, wheels, ash receiver, shelf and handle of the grill in FIGS. 1-7 are for illustrative purposes only and form no part of the claimed design.

**1 Claim, 8 Drawing Sheets**

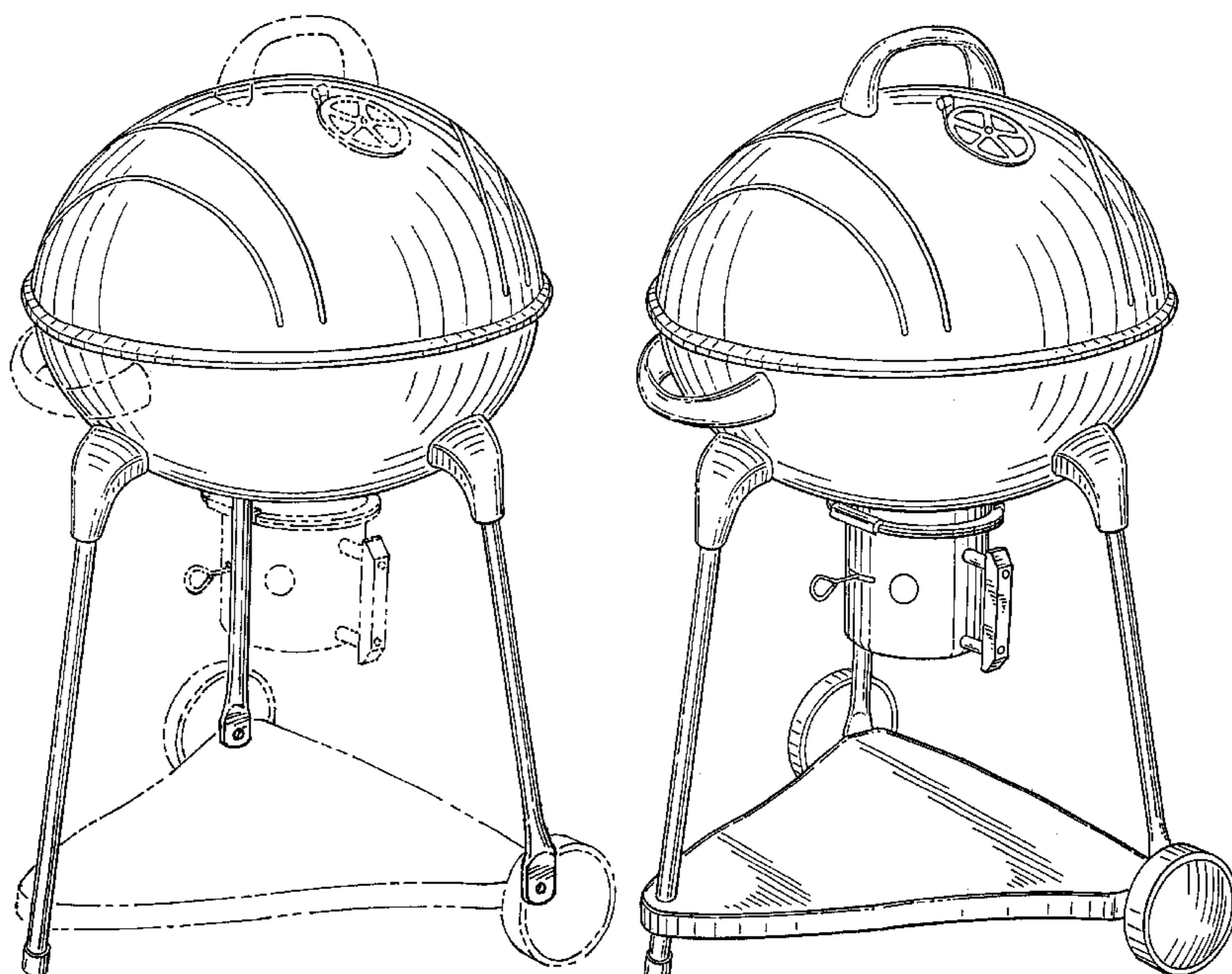


FIG. 1

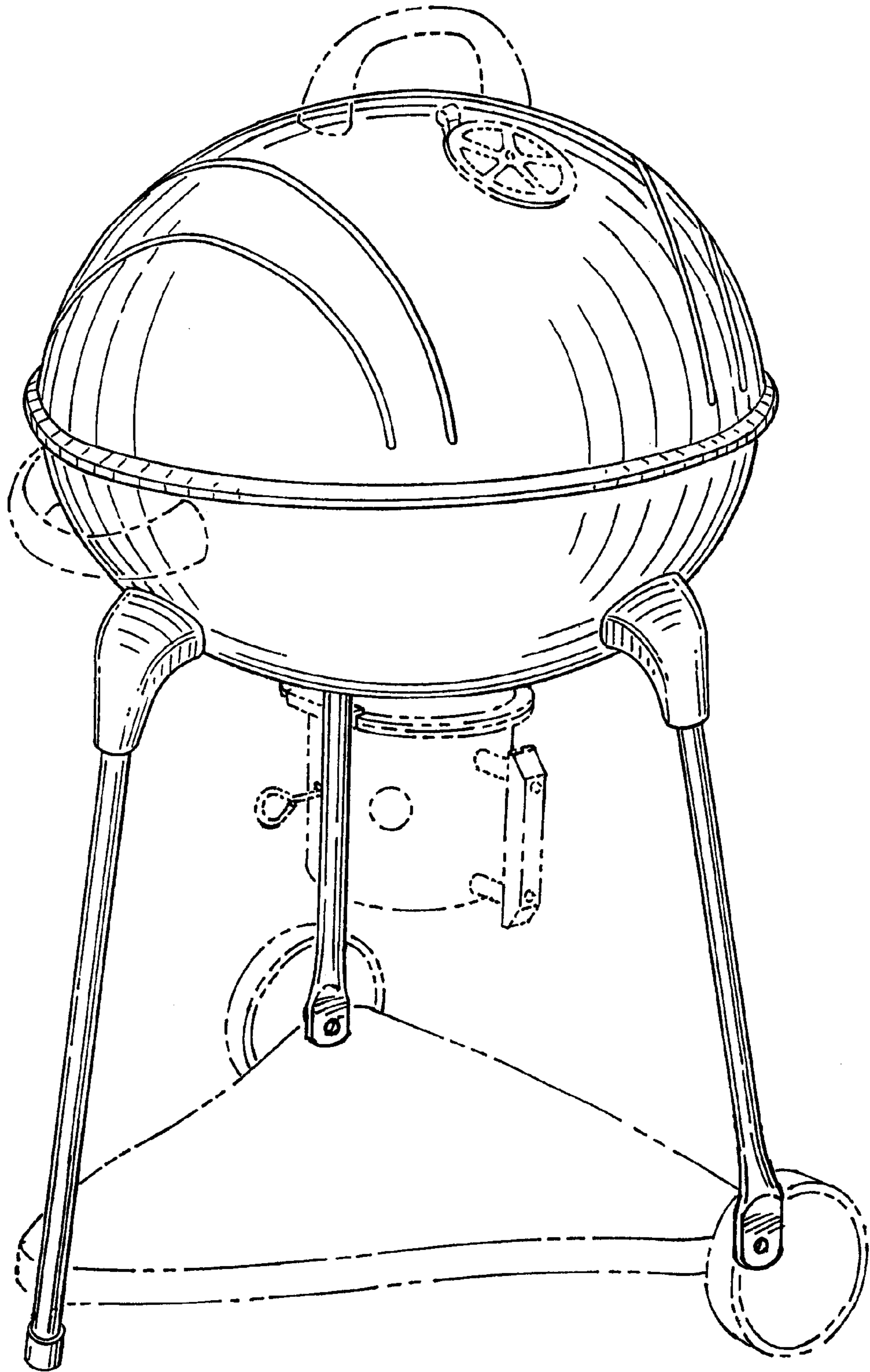


FIG. 3

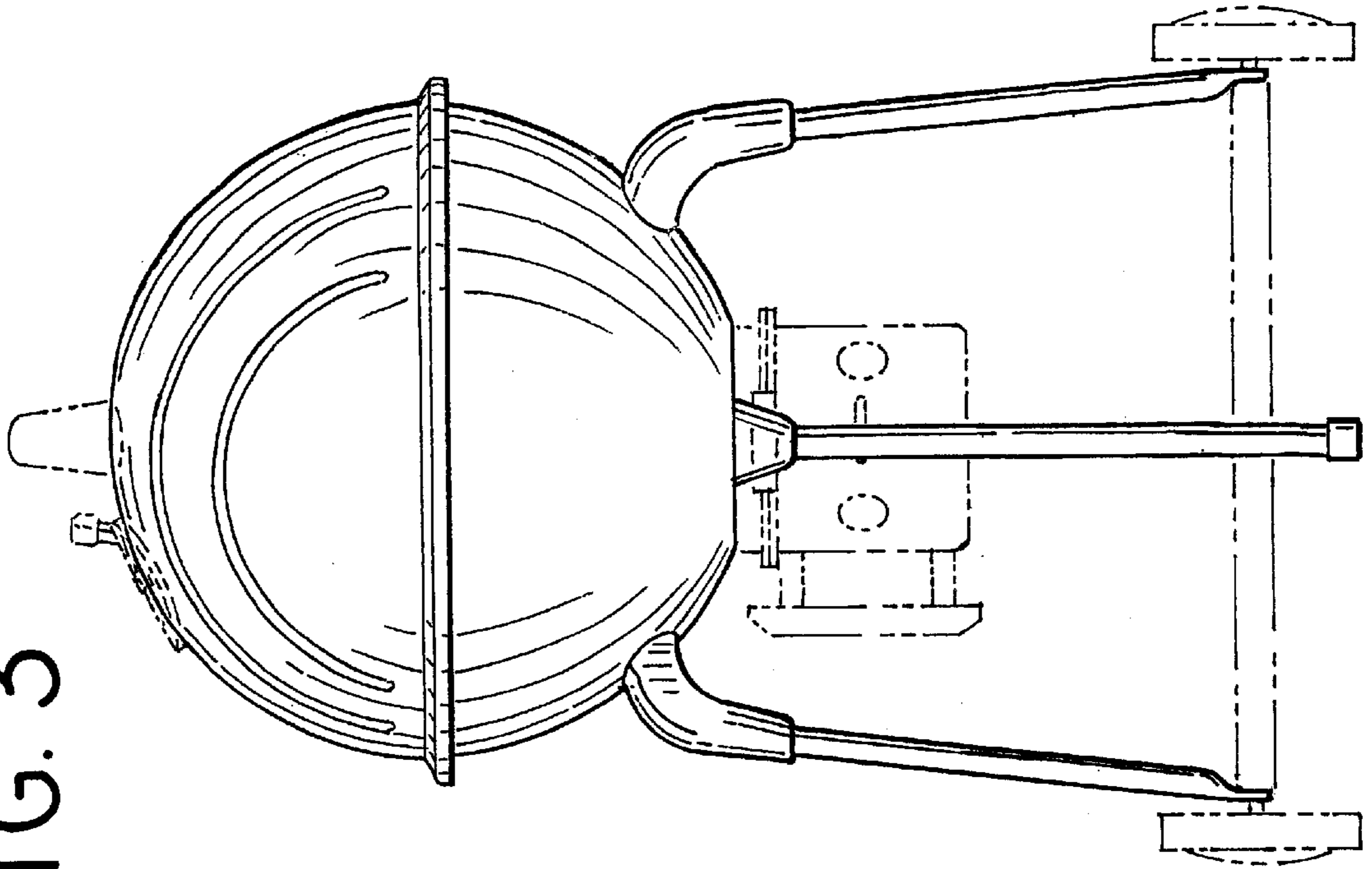
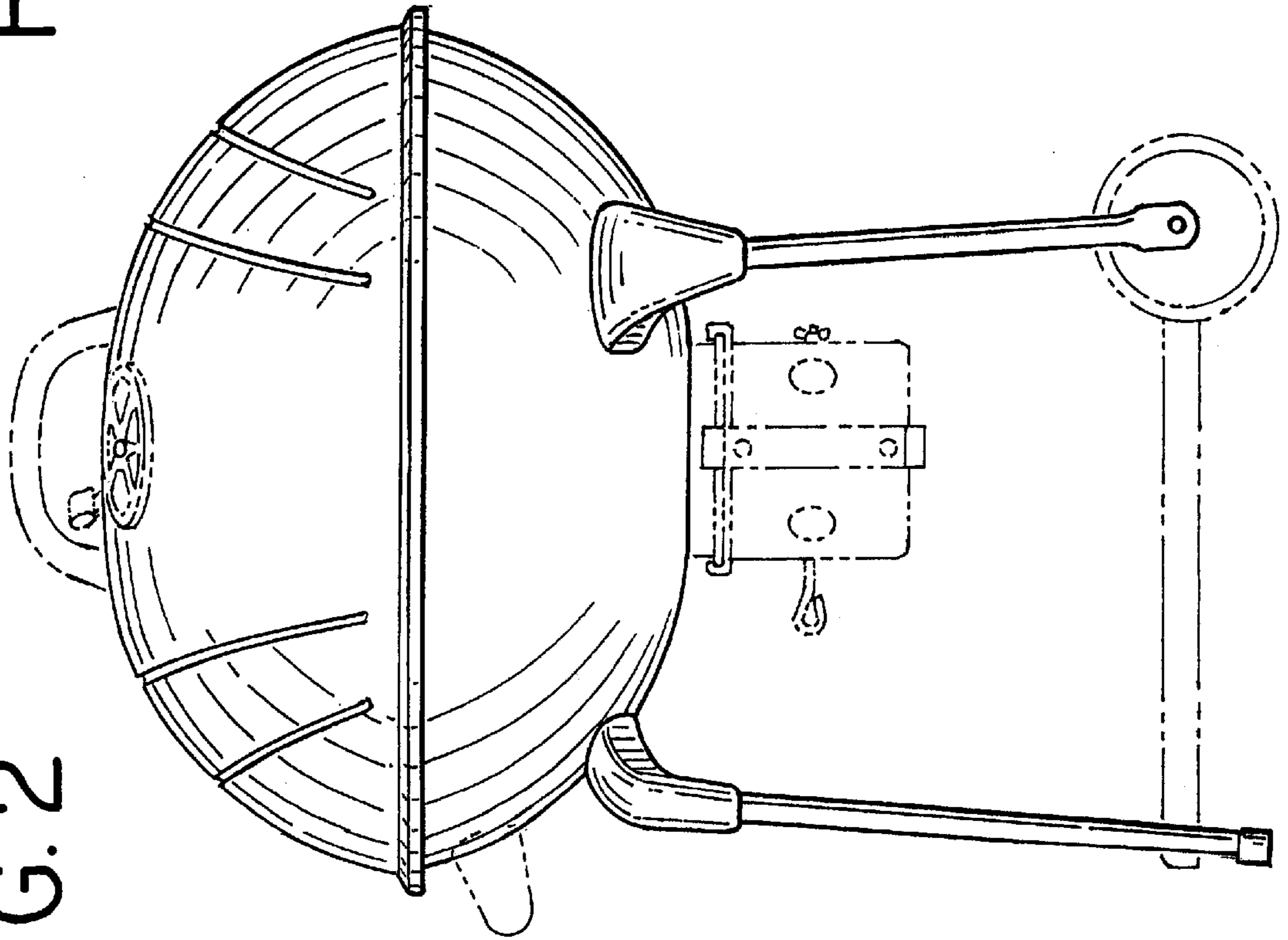


FIG. 2



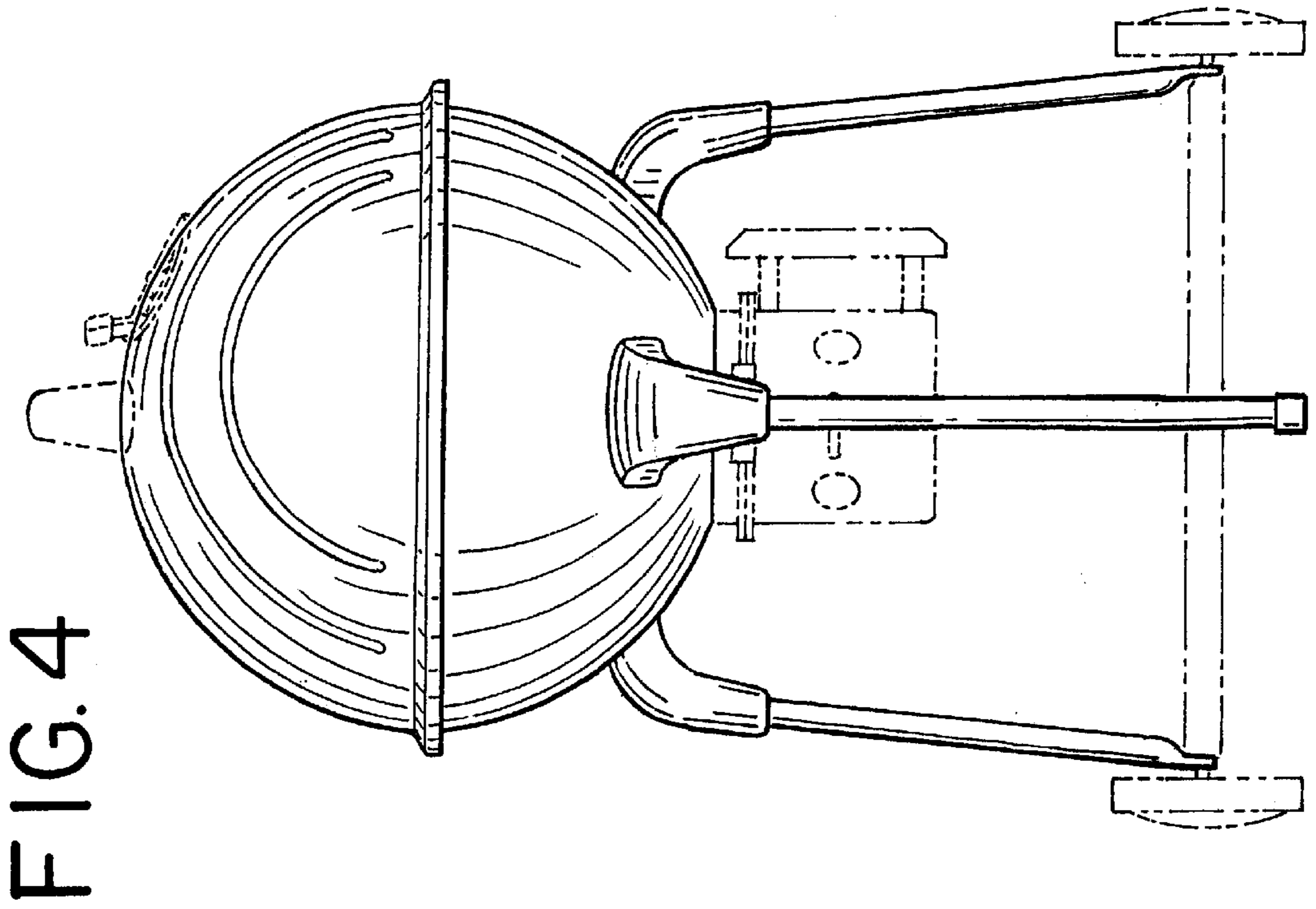
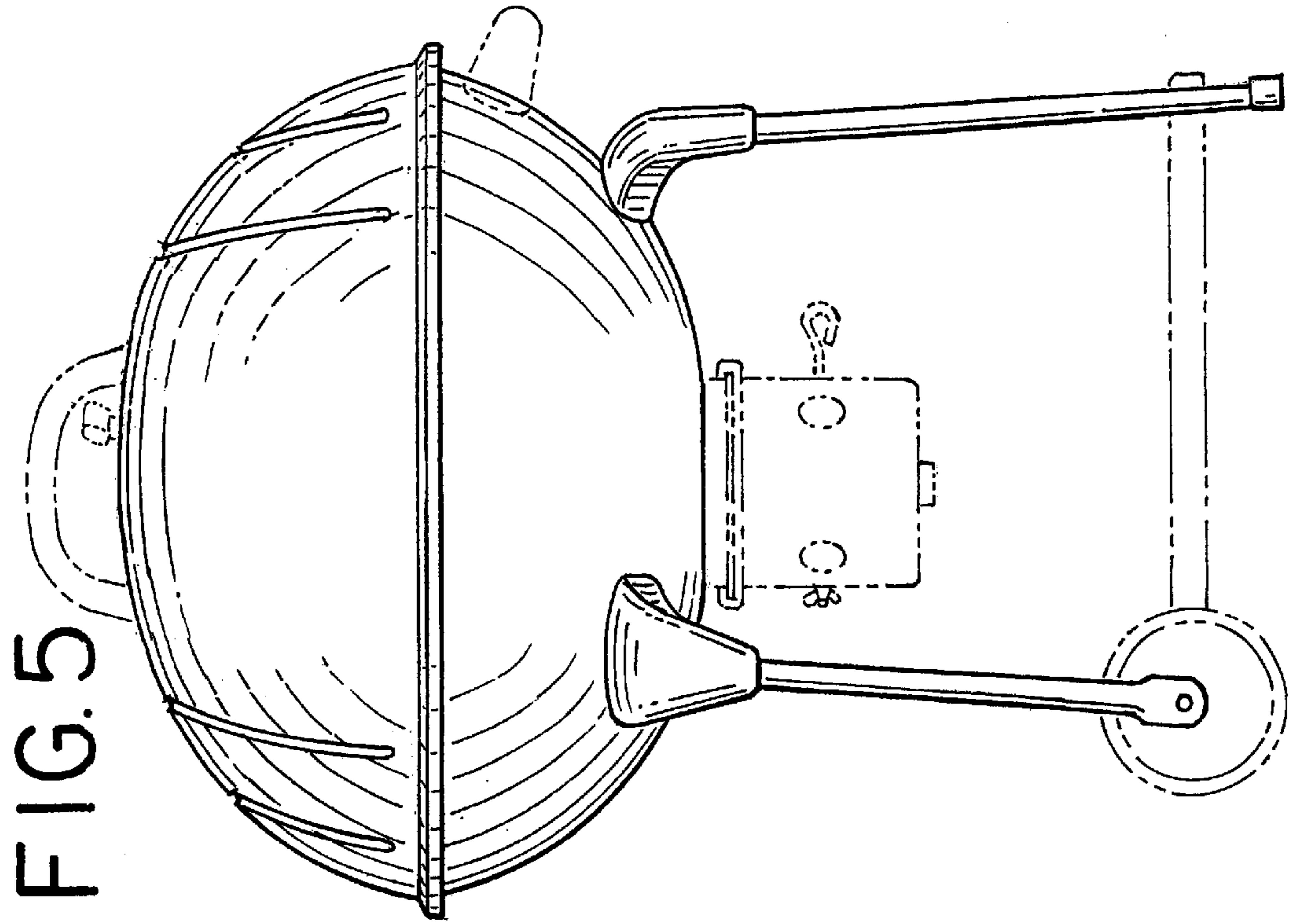


FIG. 6

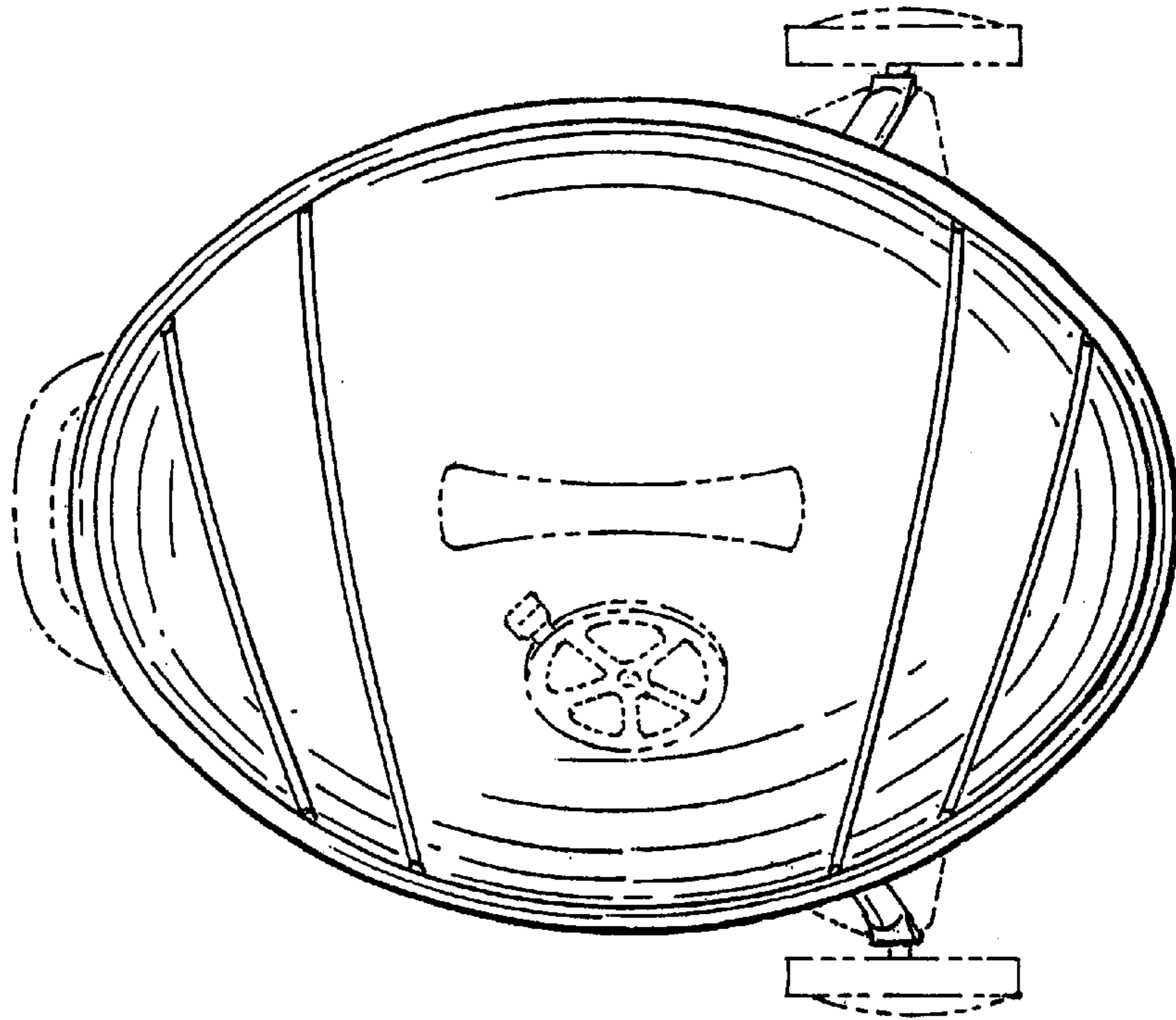
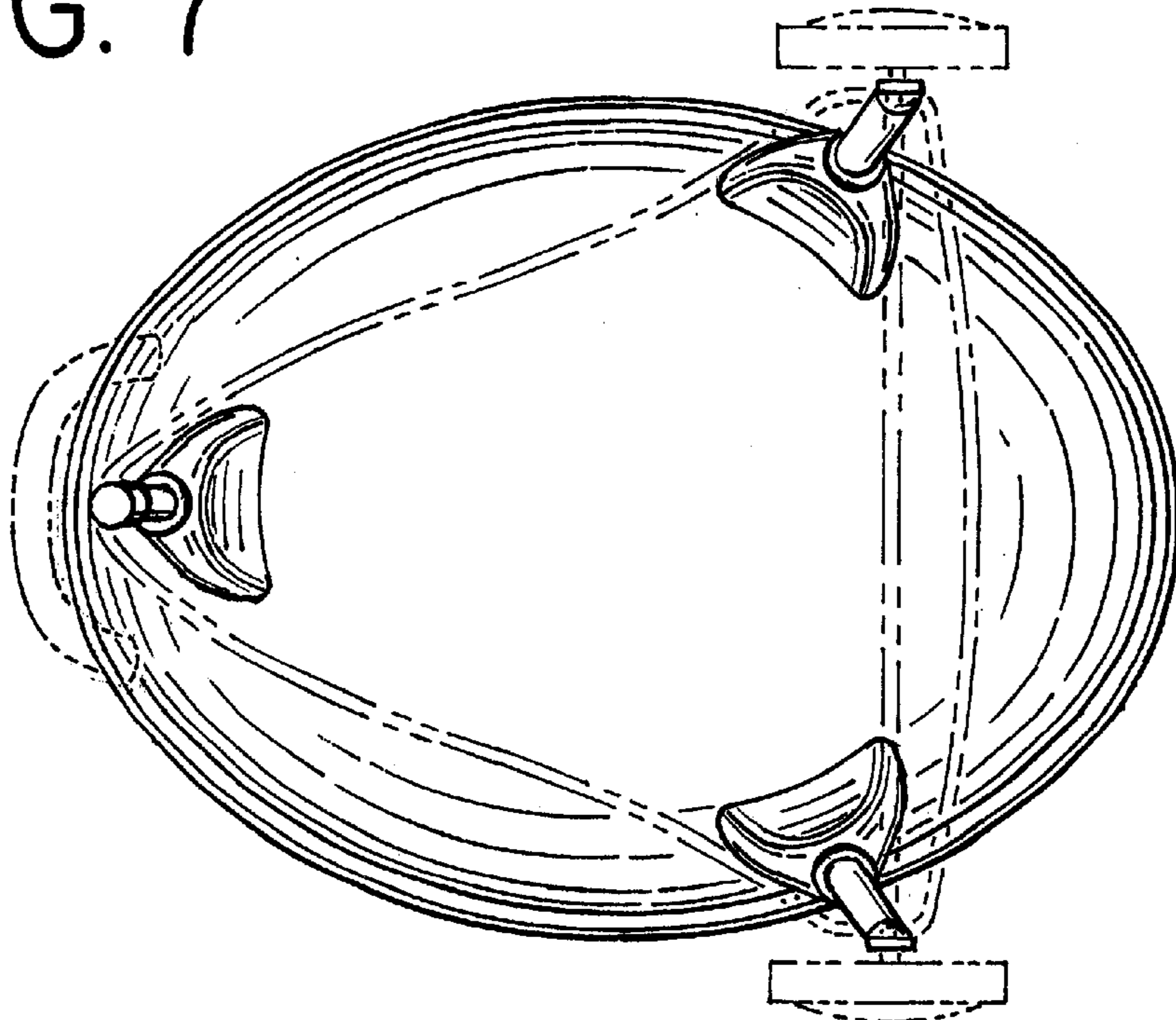


FIG. 7



# FIG. 8

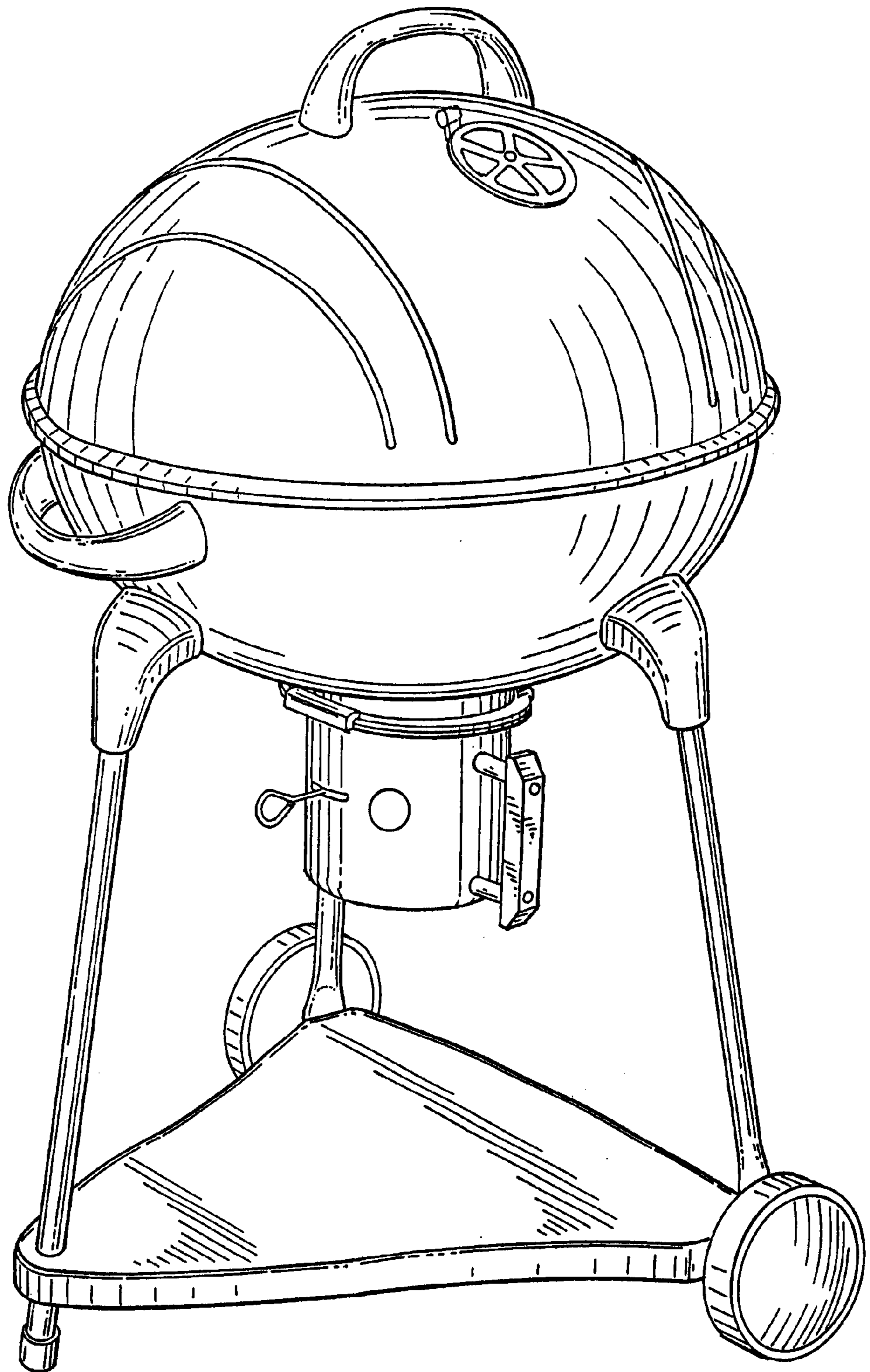


FIG.10

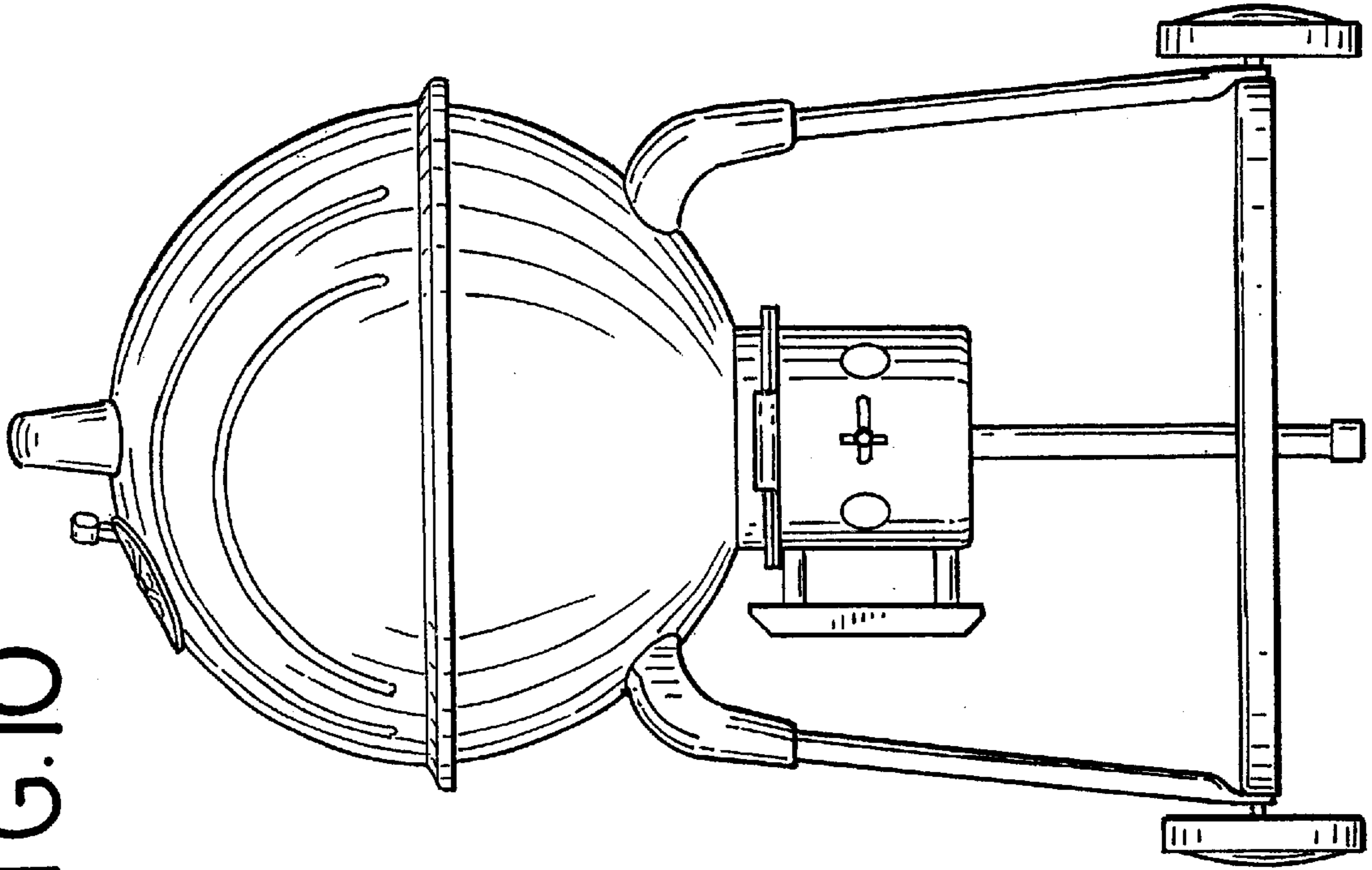


FIG.9

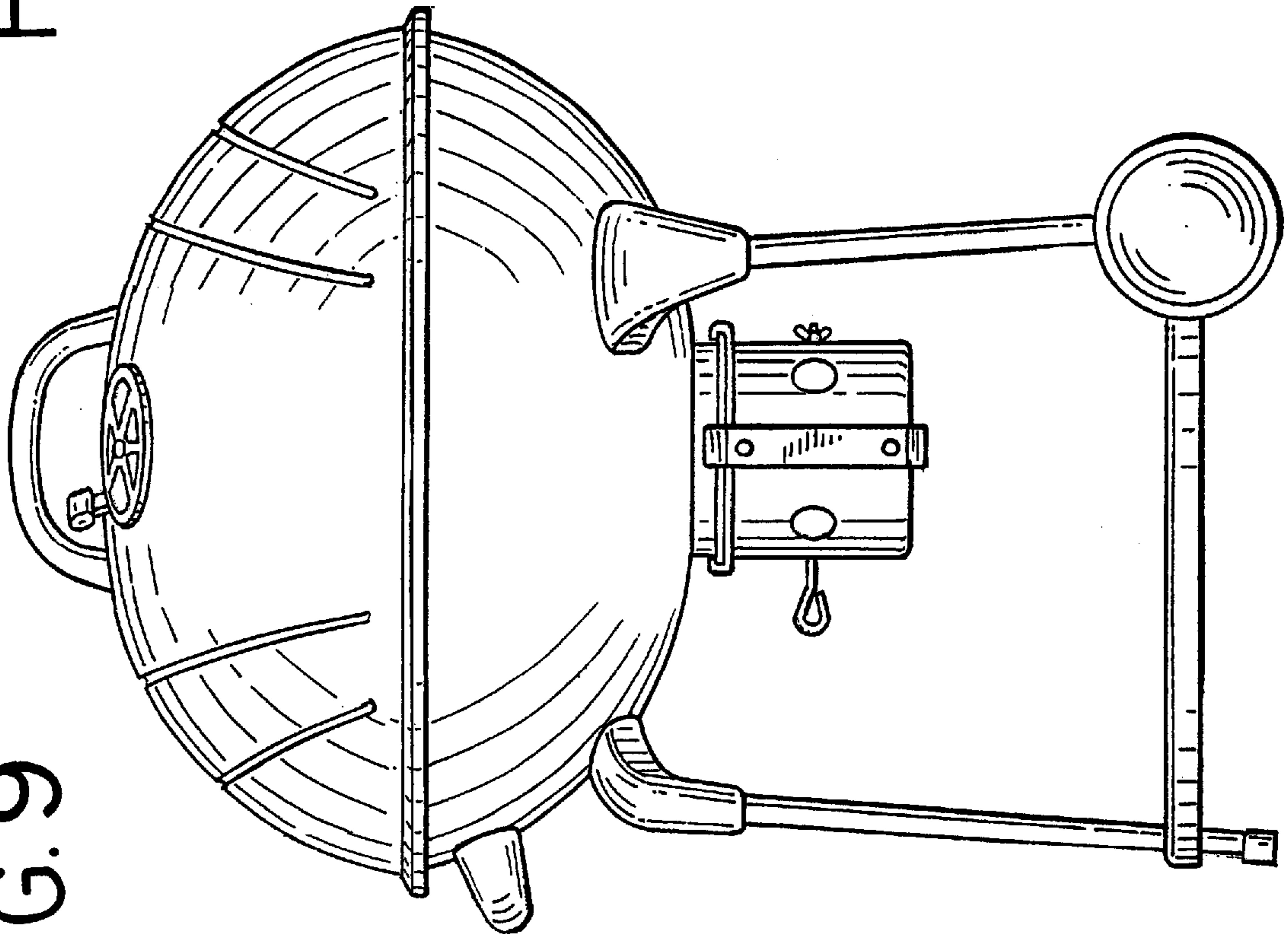


FIG.12

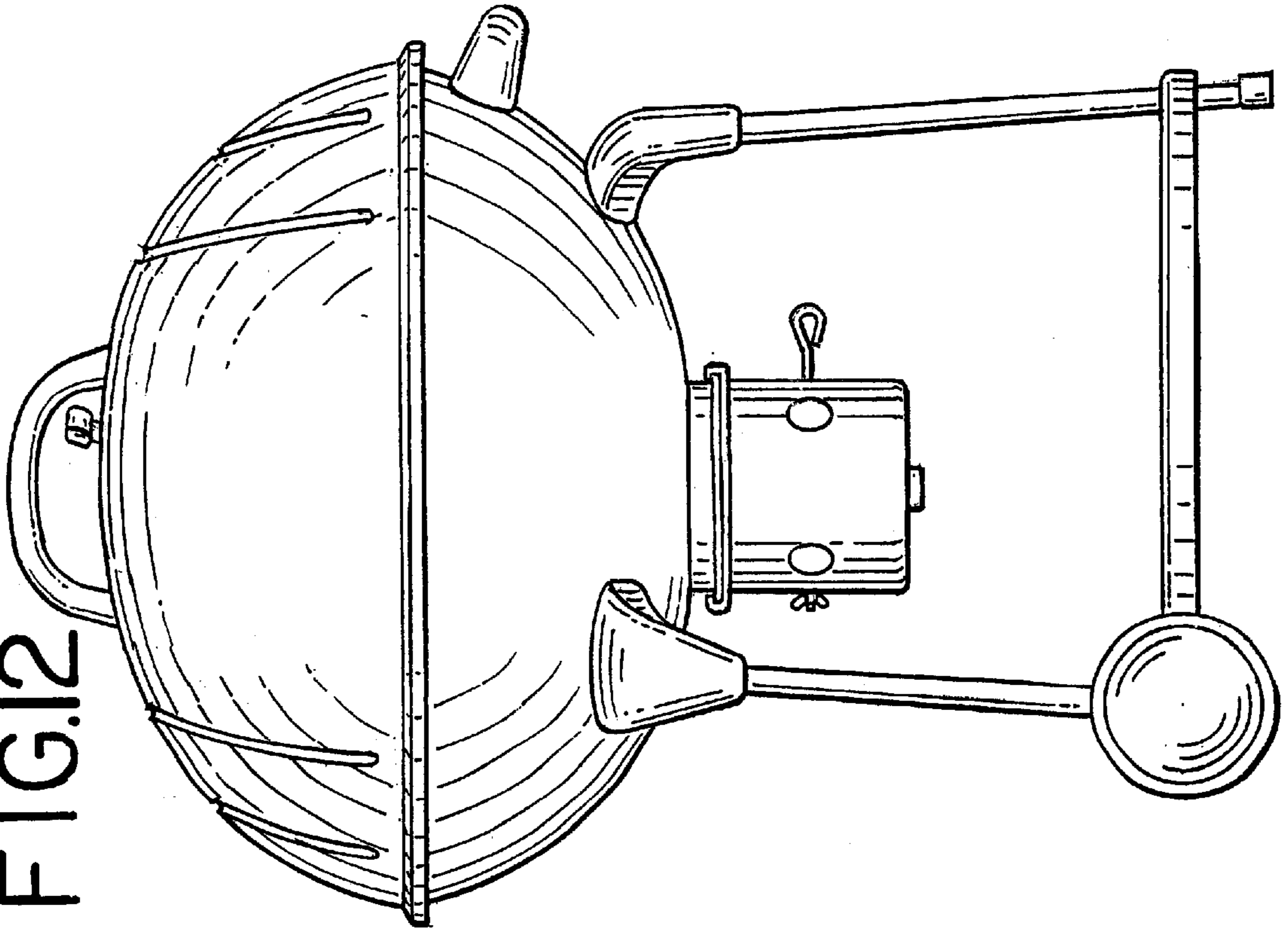


FIG.11

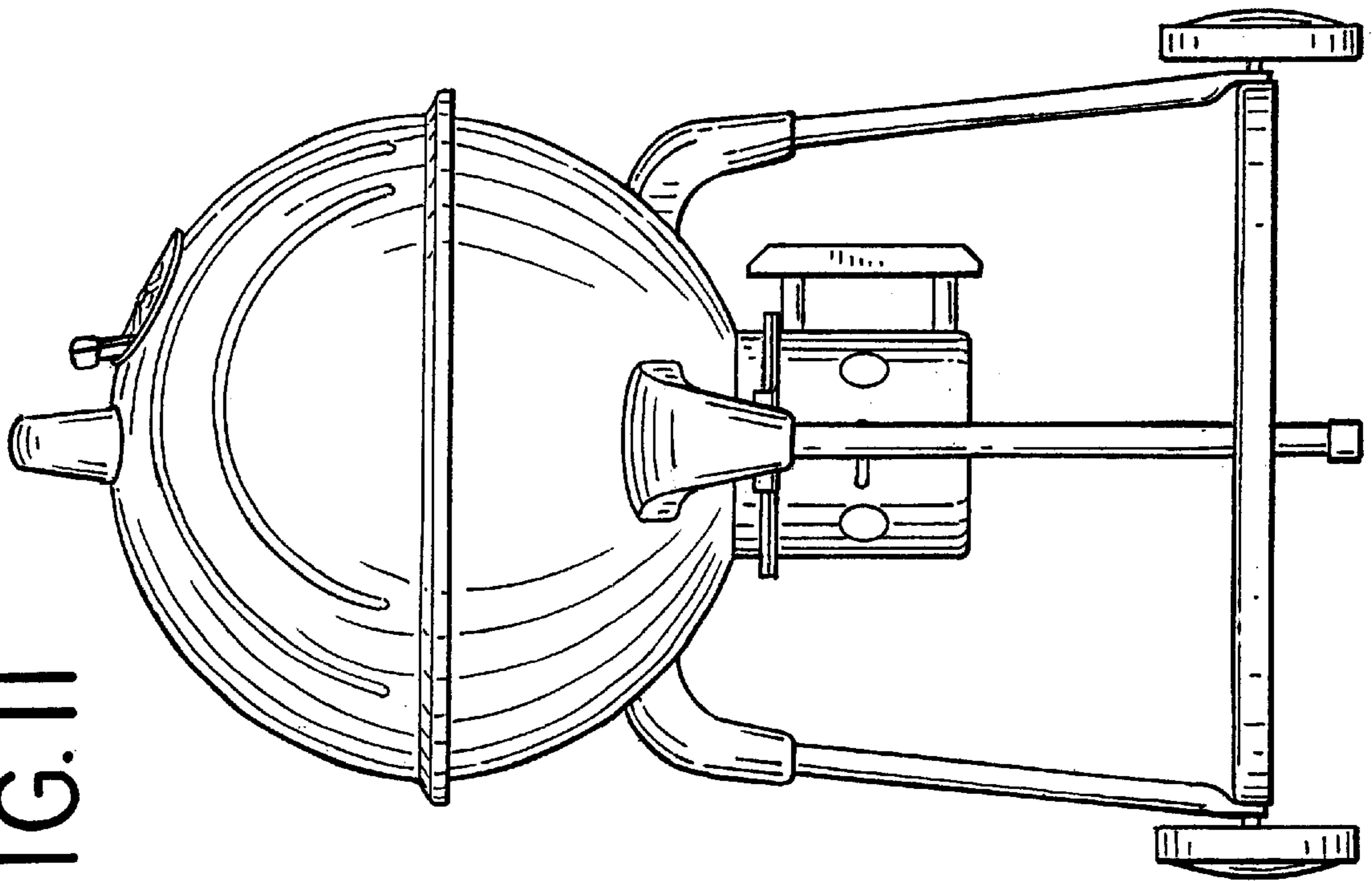




FIG. 13

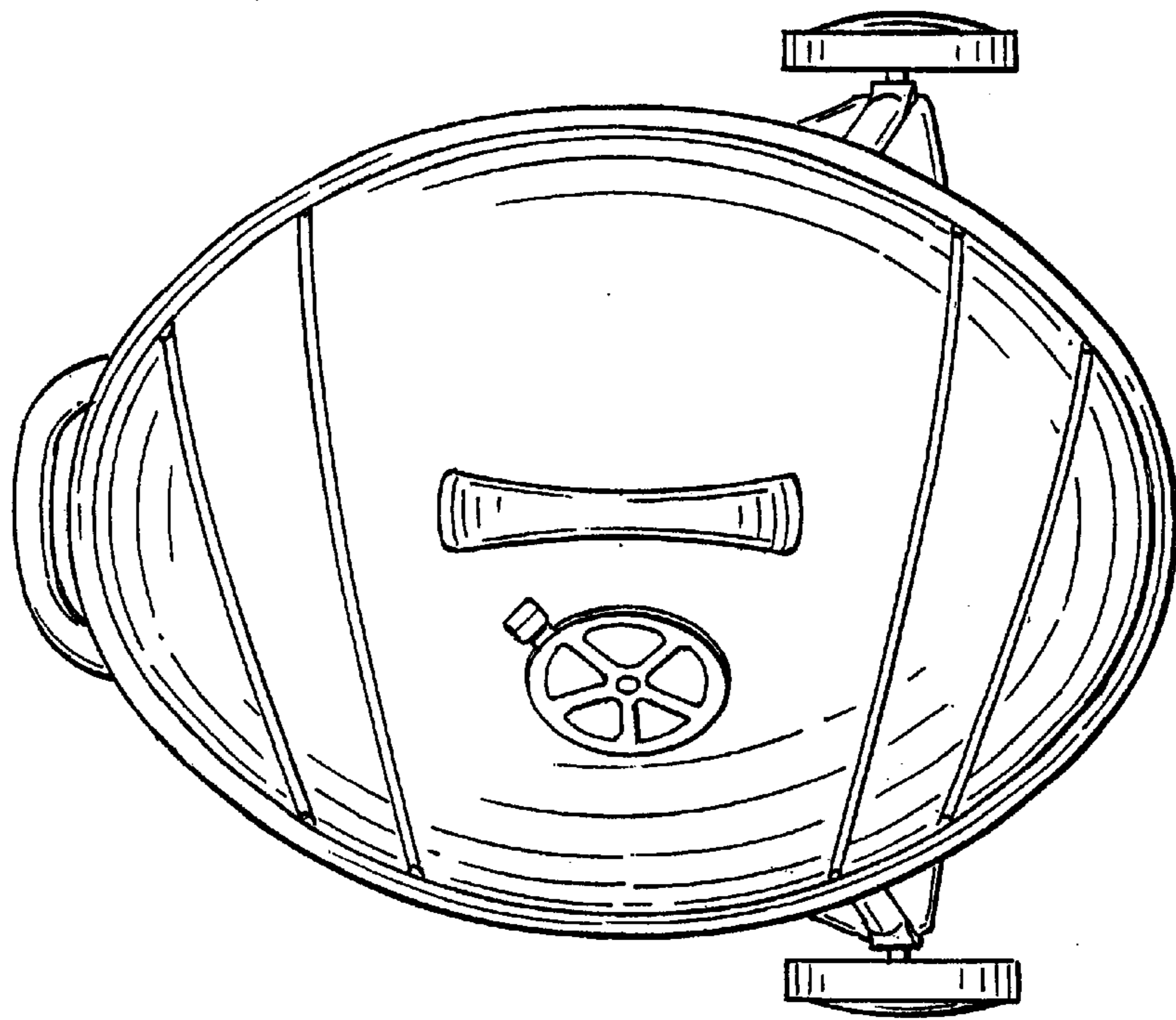


FIG. 14

