



US00D460654S

(12) **United States Design Patent**  
**Thurlow**

(10) **Patent No.:** **US D460,654 S**

(45) **Date of Patent:** **\*\* Jul. 23, 2002**

(54) **KETTLE**

D426,740 S \* 6/2000 Huang ..... D7/318  
D442,015 S \* 5/2001 Doret, Jr. .... D7/322

(75) Inventor: **Heida L. Thurlow**, Houston, TX (US)

**OTHER PUBLICATIONS**

(73) Assignee: **Lentrade, Inc.**, Houston, TX (US)

2 pages, WMR advertisement of Teakettle with Infusion Insert, published prior to Oct. 2000.

(\*\*) Term: **14 Years**

\* cited by examiner

(21) Appl. No.: **29/150,938**

*Primary Examiner*—M. N. Pandozzi

(22) Filed: **Nov. 29, 2001**

(74) *Attorney, Agent, or Firm*—Browning Bushman P.C.

(51) **LOC (7) Cl.** ..... **07-01**

(57) **CLAIM**

(52) **U.S. Cl.** ..... **D7/321; D7/320; D7/322**

The ornamental design for a kettle, as shown and described.

(58) **Field of Search** ..... **D7/300, 322, 312, D7/317, 318, 319, 310, 321, 399; 222/472, 482, 39, 465.1, 572; 220/570; 215/396, DIG. 8, 382; 99/292**

**DESCRIPTION**

(56) **References Cited**

FIG. 1 is a top, front, and right side perspective view of a kettle showing my new design;

FIG. 2 is a front elevational view of the kettle shown in FIG. 1;

FIG. 3 is a top plan view of the kettle shown in FIG. 1;

FIG. 4 is a right side elevational view of the kettle shown in FIG. 1;

FIG. 5 is a rear elevational view of the kettle shown in FIG. 1; and,

FIG. 6 is a bottom plan view of the kettle shown in FIG. 1.

**U.S. PATENT DOCUMENTS**

D185,054 S	*	4/1959	Winans	.....	D7/321
D282,436 S	*	2/1986	Thurlow	.....	D7/322
D289,001 S	*	3/1987	Thurlow	.....	D7/321
D308,796 S	*	6/1990	Thurlow et al.	.....	D7/322
D333,753 S	*	3/1993	Ancona et al.	.....	D7/321
D355,563 S	*	2/1995	Lebowitz	.....	D7/322
D381,859 S	*	8/1997	Joergensen	.....	D7/322
D411,405 S	*	6/1999	Thurlow	.....	D7/321

**1 Claim, 3 Drawing Sheets**

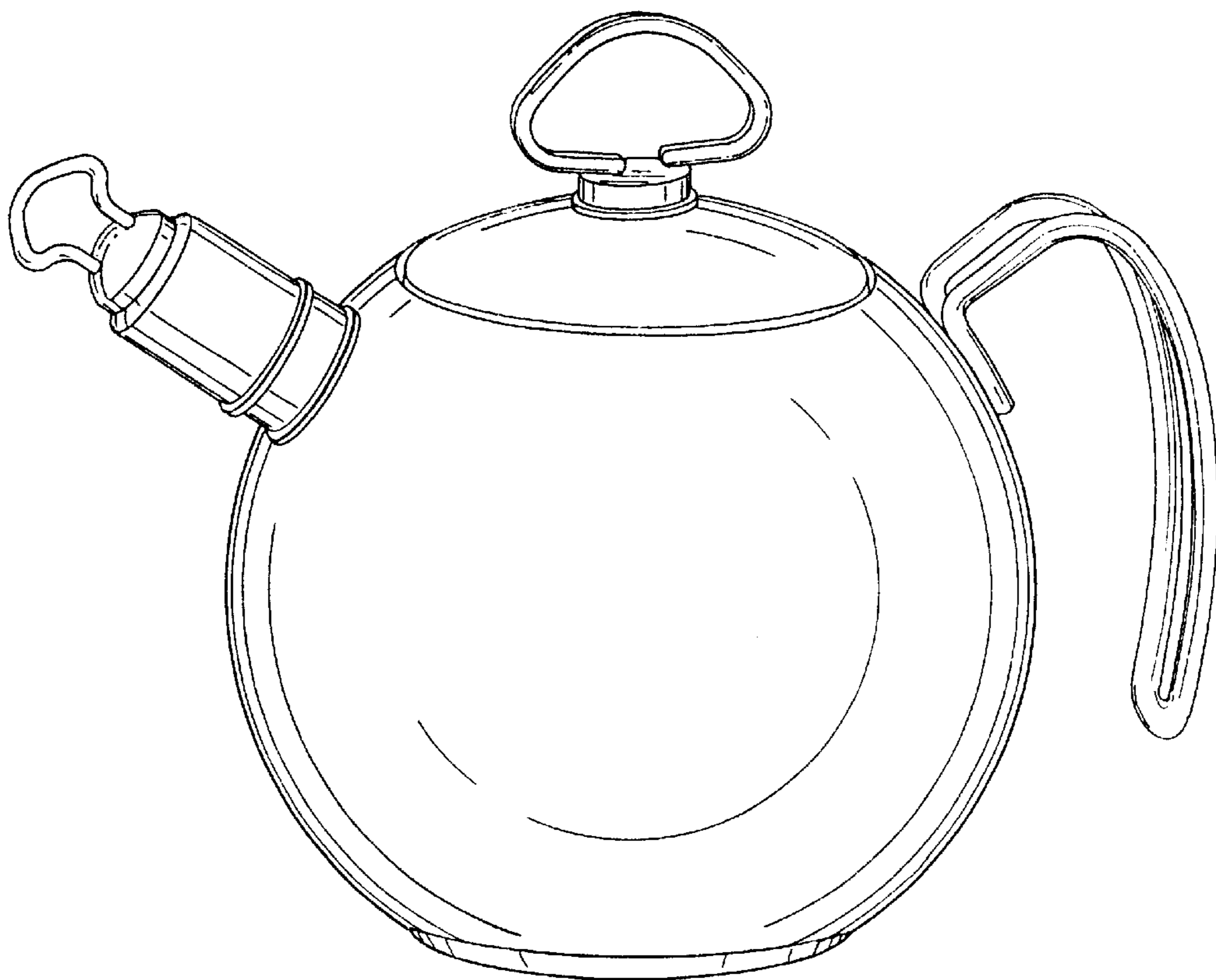


FIG. 1

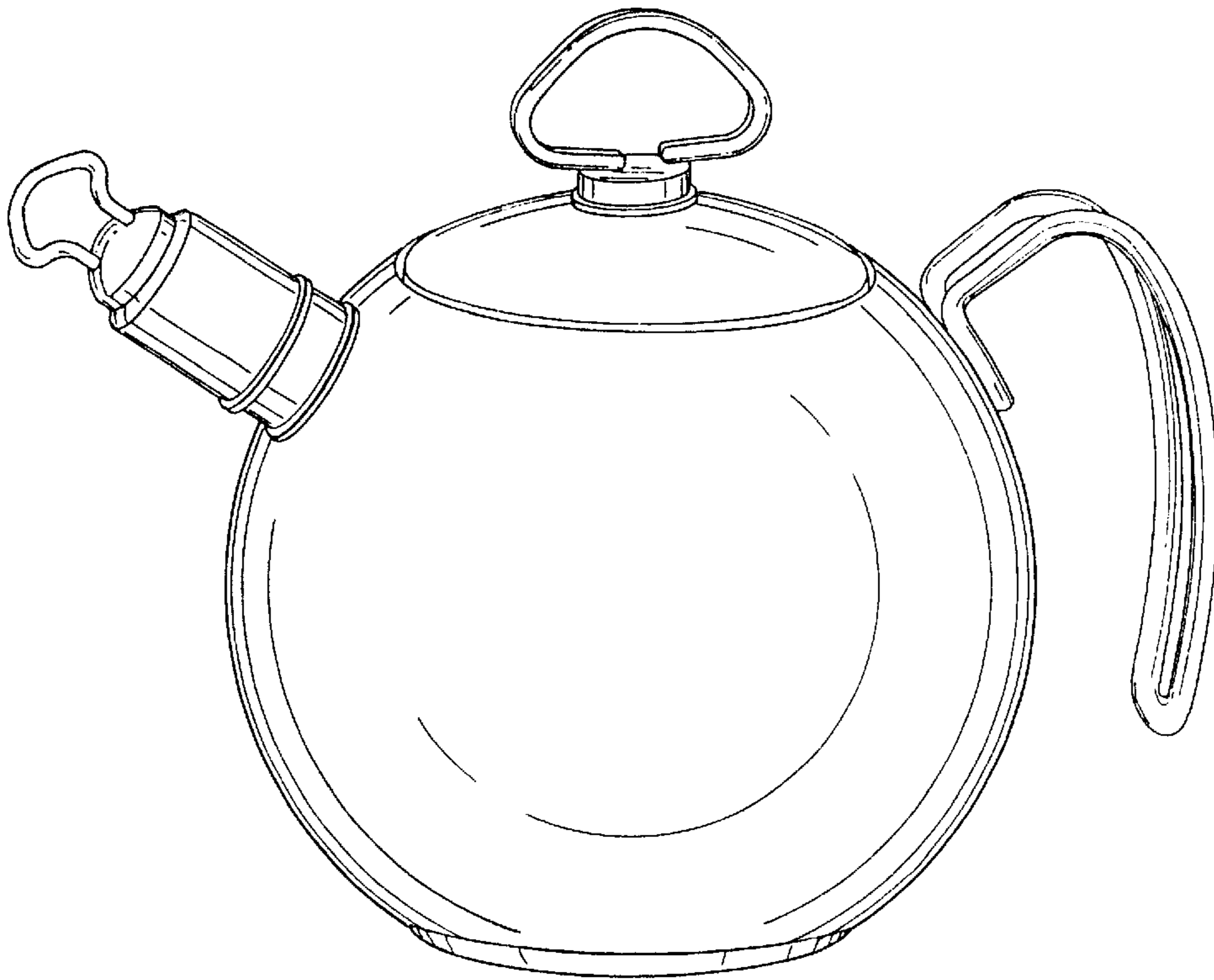


FIG. 2

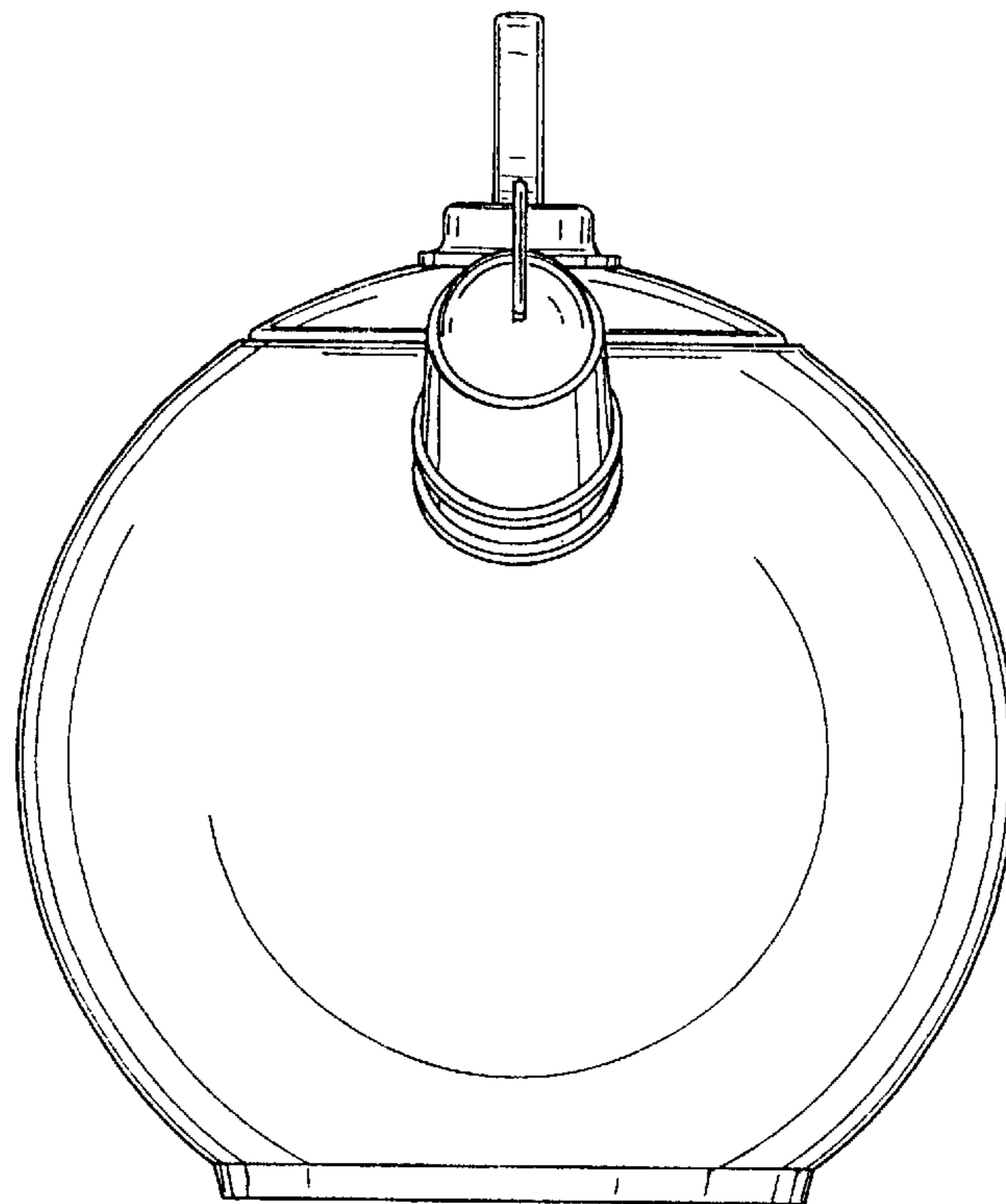


FIG. 3

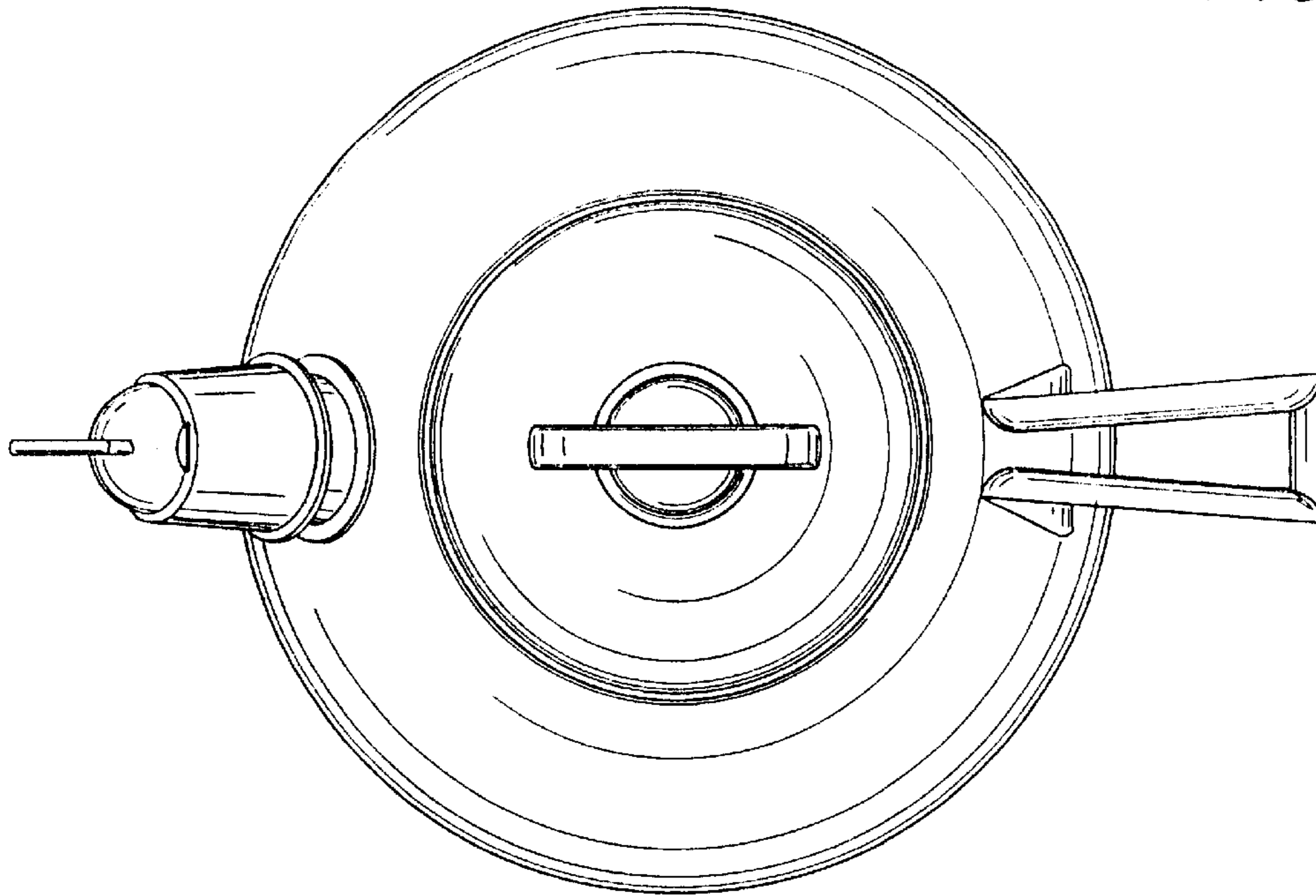


FIG. 4

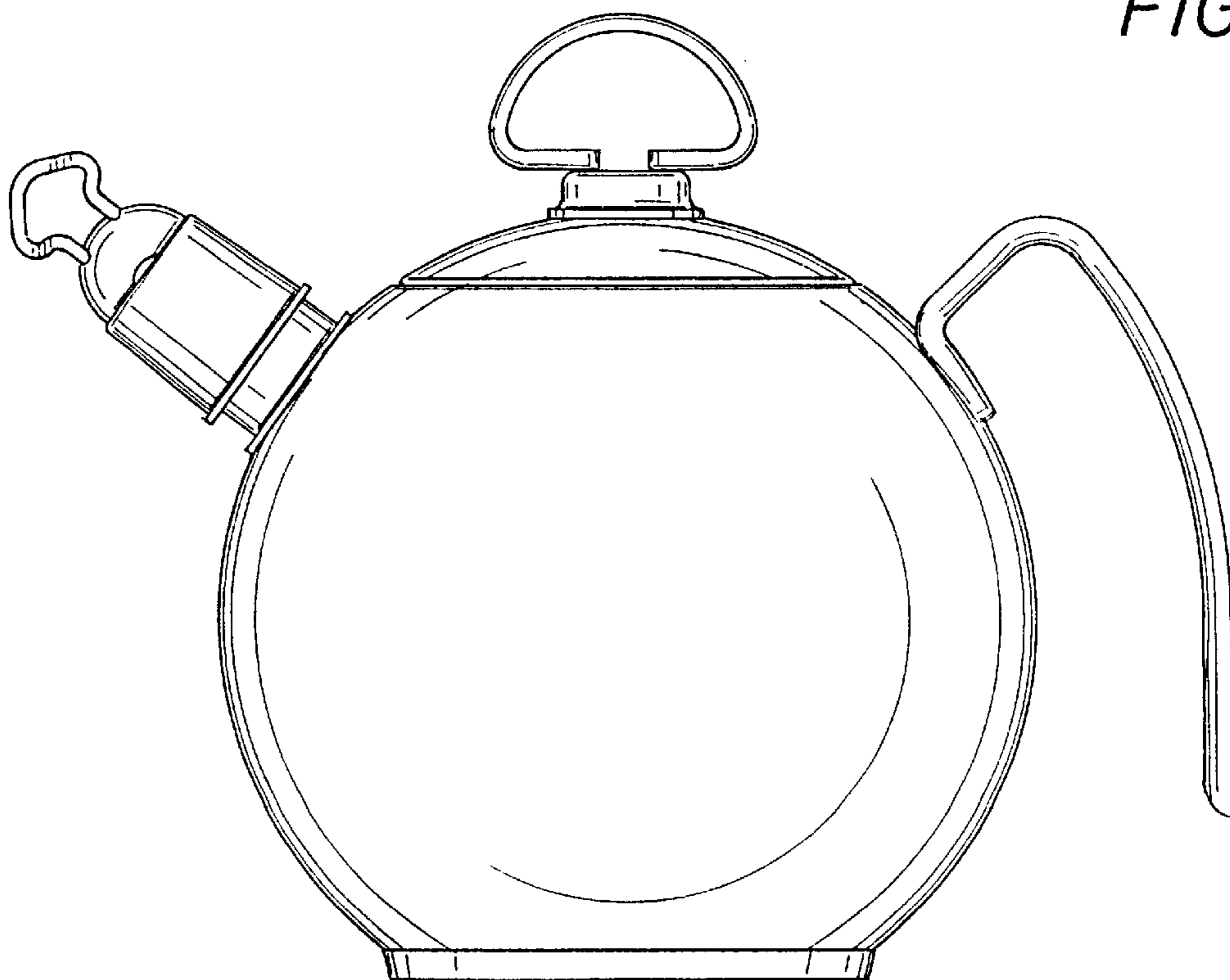


FIG. 5

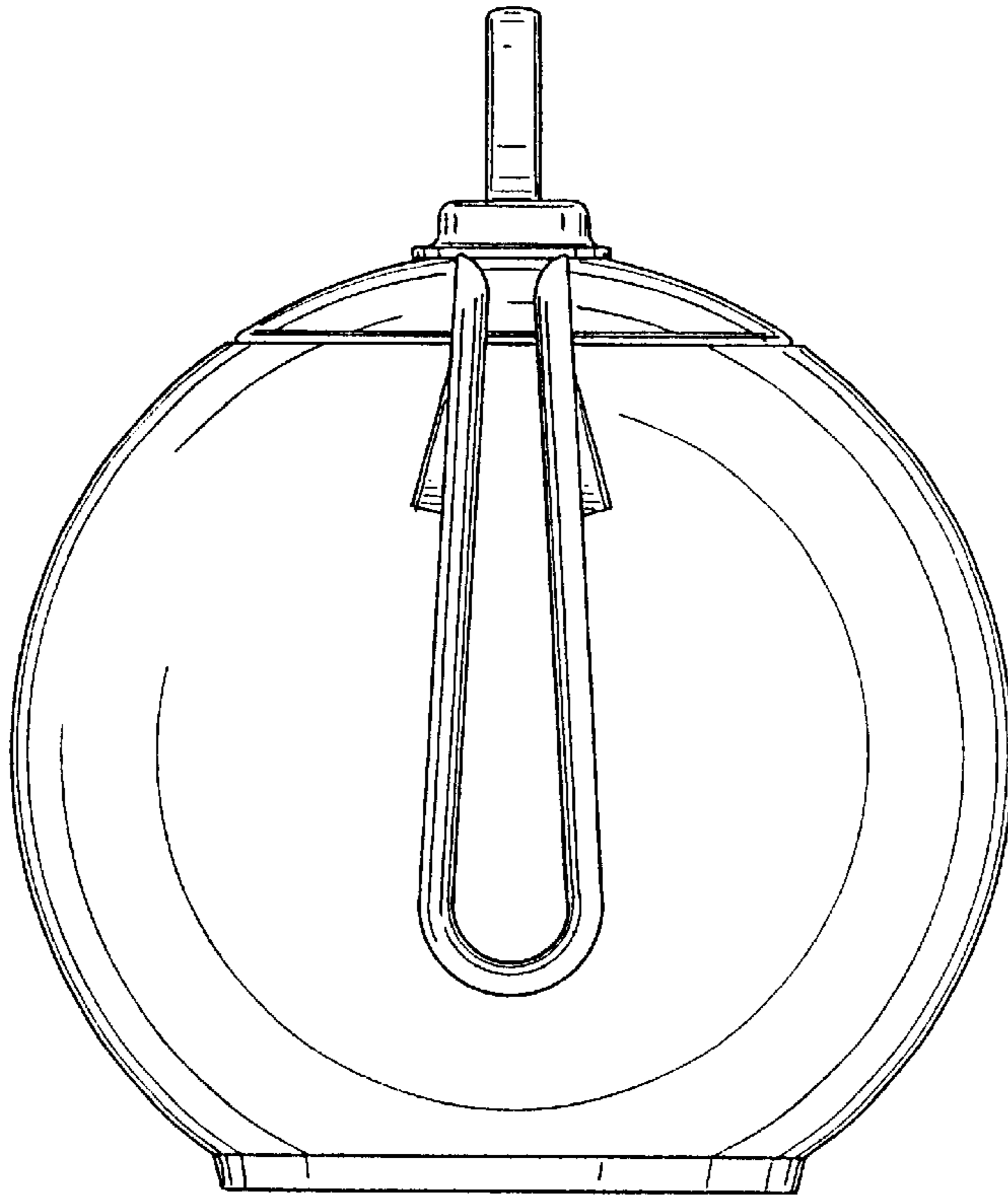


FIG. 6

