



US00D460653S

(12) **United States Design Patent**
Cahen

(10) **Patent No.:** **US D460,653 S**

(45) **Date of Patent:** **** Jul. 23, 2002**

(54) **COFFEE MACHINE**

(75) **Inventor:** **Antoine Cahen, Lausanne (CH)**

(73) **Assignee:** **Societe des Produits Nestle S.A.,
Vevey (CH)**

(**) **Term:** **14 Years**

(21) **Appl. No.:** **29/152,785**

(22) **Filed:** **Jan. 2, 2002**

(51) **LOC (7) Cl.** **07-01**

(52) **U.S. Cl.** **D7/309; D7/310; D7/311**

(58) **Field of Search** **D7/300, 309, 310,
D7/311, 305, 306, 308; 99/280, 293, 294,
295, 281; 241/65**

(56) **References Cited**

U.S. PATENT DOCUMENTS

D205,702 S	*	9/1966	Christine et al.	D7/311
D220,579 S	*	4/1971	Wickenberg	D7/309
3,978,778 A	*	9/1976	Roberts	99/281
4,644,856 A	*	2/1987	Borgmann	99/295
D292,258 S	*	10/1987	Diefenbach	D7/309
4,721,034 A	*	1/1988	Shimomura	99/280
4,742,767 A	*	5/1988	Komatsu et al.	99/280
D298,504 S	*	11/1988	Frech	D7/308
D298,505 S	*	11/1988	Frech	D7/308
4,895,308 A	*	1/1990	Tanaka	241/65
D309,842 S	*	8/1990	Frech	D7/308

D345,279 S	*	3/1994	Sieger	D7/309
D365,491 S	*	12/1995	Hui	D7/311
D366,180 S	*	1/1996	Littmann	D7/309
D396,987 S	*	8/1998	Seiffert	D7/309
D400,046 S	*	10/1998	Seiffert	D7/309
D403,551 S	*	1/1999	Seiffert	D7/309
D411,403 S	*	6/1999	Gudefin	D7/309
D413,757 S	*	9/1999	Munoz	D7/309
D414,647 S	*	10/1999	Driscoll et al.	D7/309
D417,118 S	*	11/1999	Pomeroy	D7/306
D419,362 S	*	1/2000	Bouhuys	D7/306

* cited by examiner

Primary Examiner—M. N. Pandozzi

(74) *Attorney, Agent, or Firm*—Sheldon & Mak; Denton L. Anderson

(57) **CLAIM**

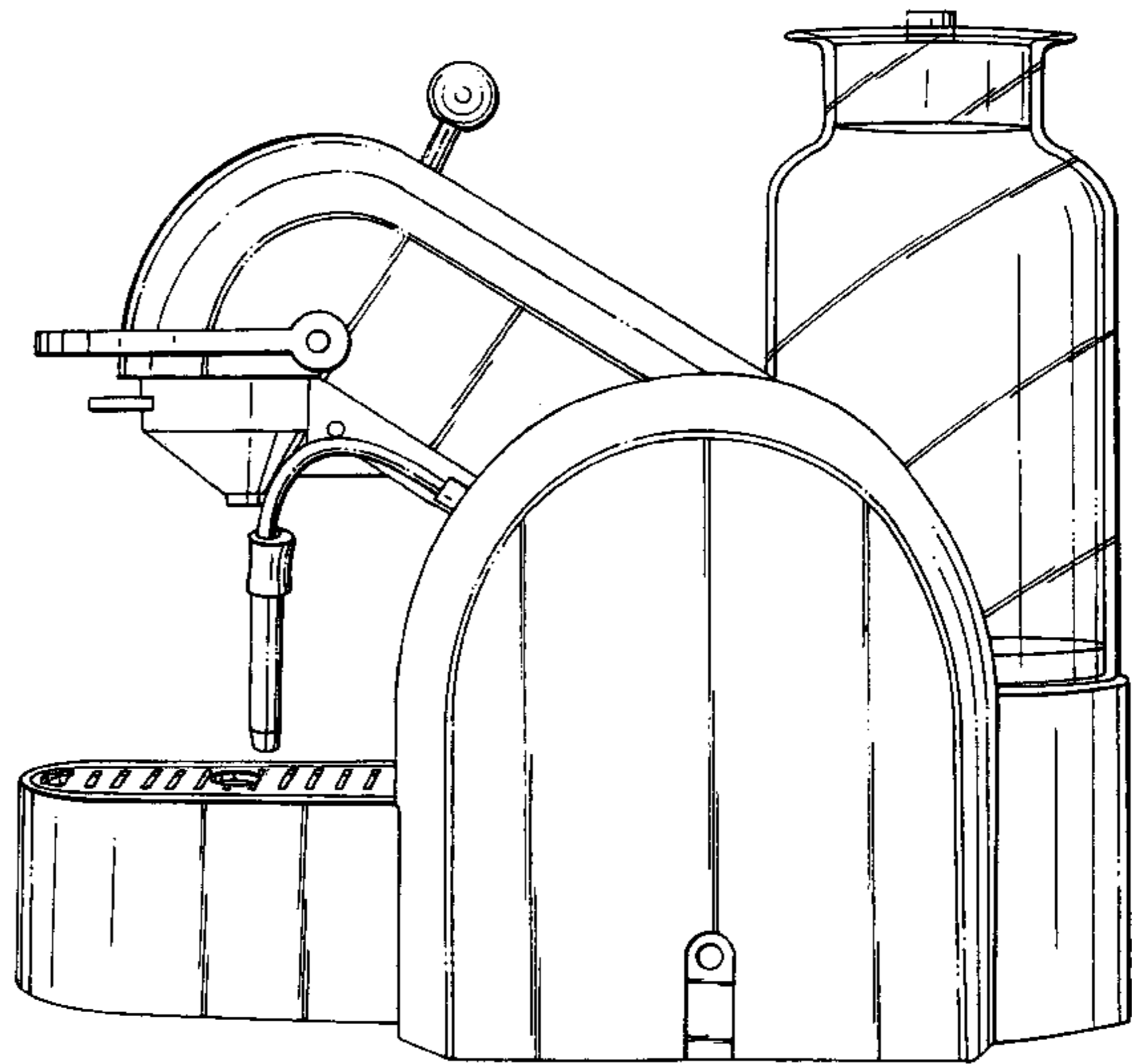
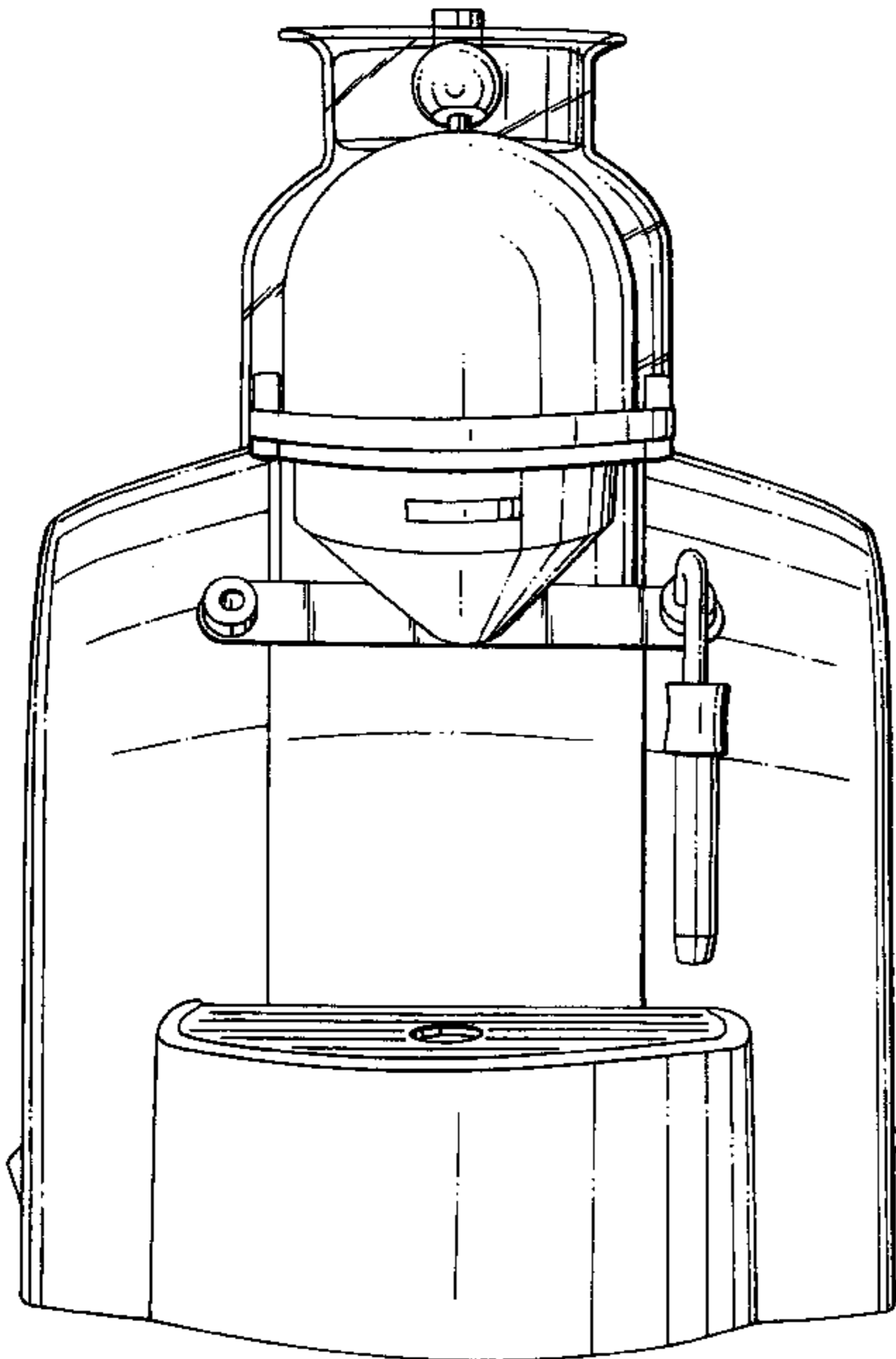
The ornamental design for a coffee machine, as shown and described.

DESCRIPTION

FIG. 1 is a front perspective;
FIG. 2 is a left side perspective;
FIG. 3 is a right side perspective;
FIG. 4 is a top view;
FIG. 5 is a bottom view; and,
FIG. 6 is a rear perspective.

The portions of the coffee machine that are not shown in the drawings do not form part of the claimed design.

1 Claim, 5 Drawing Sheets



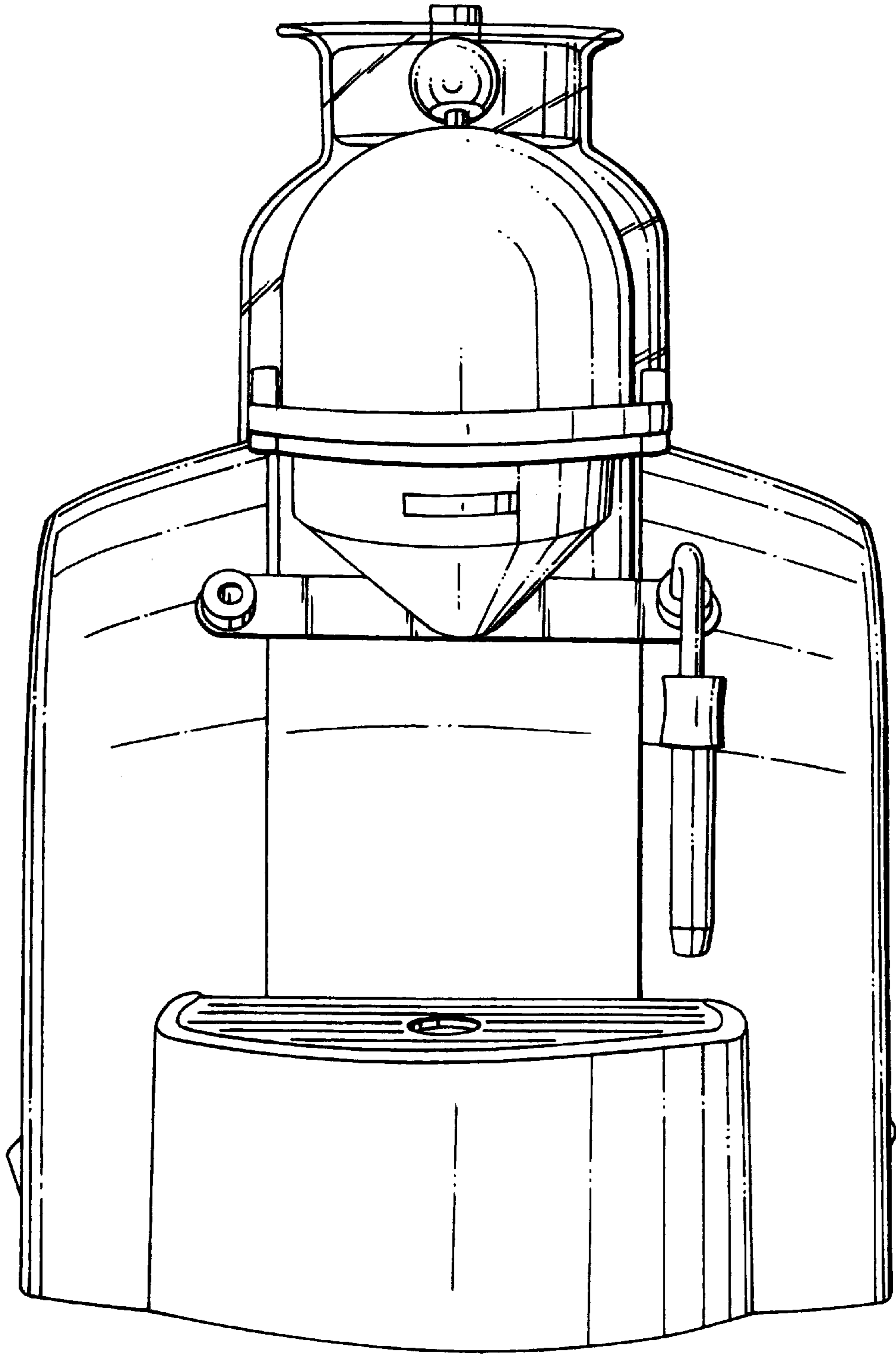


Fig. 1

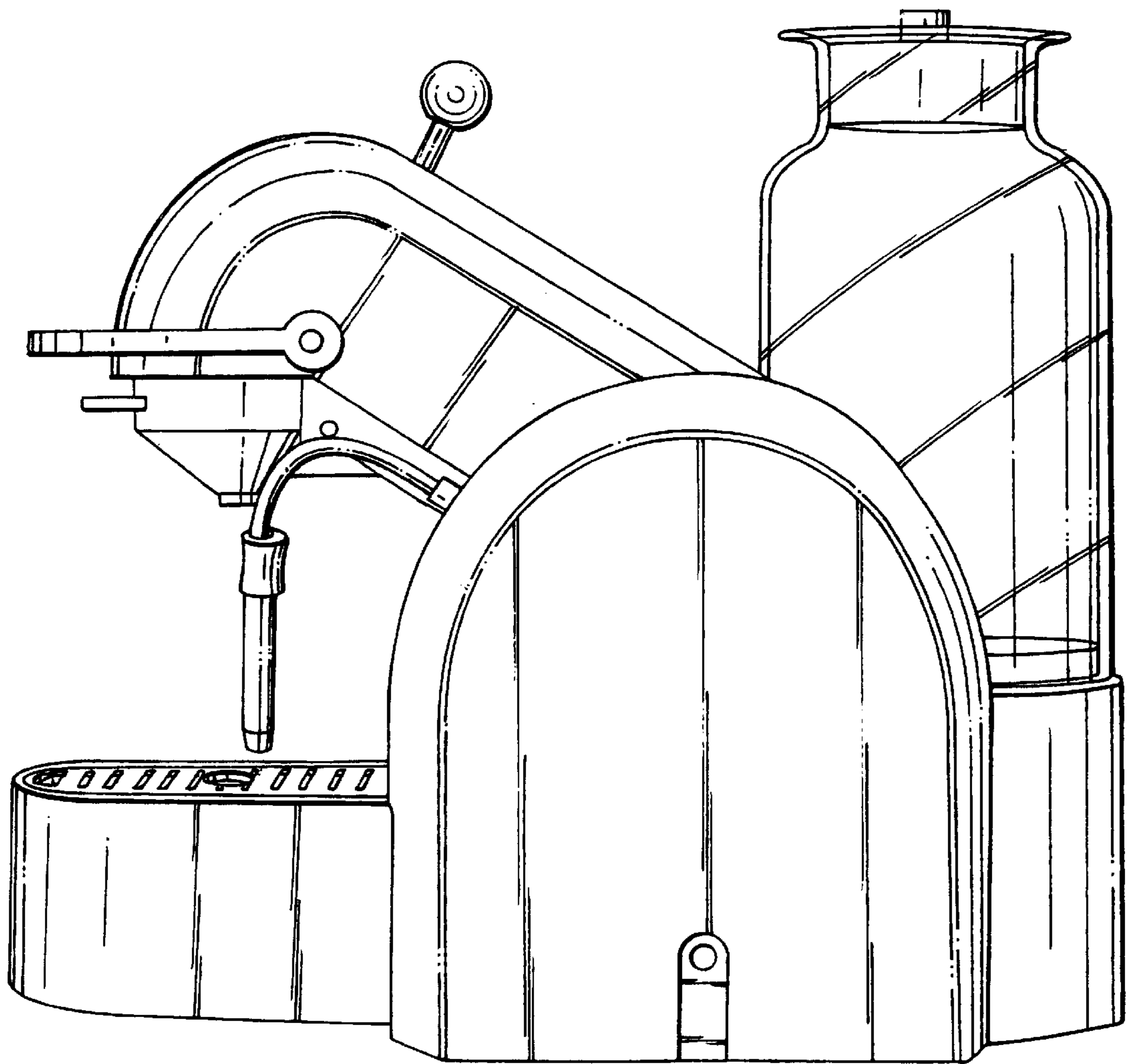


Fig. 2

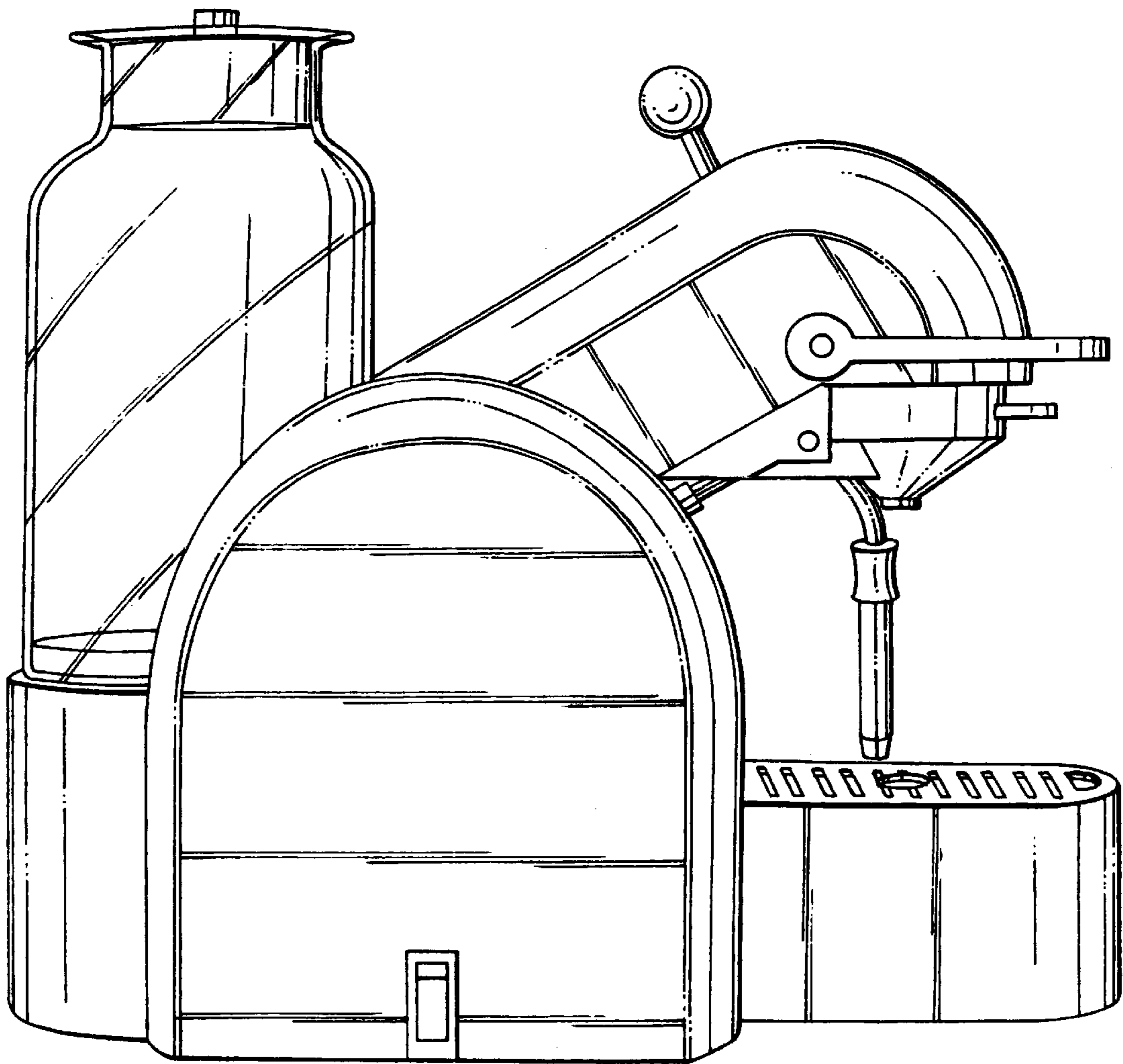


Fig. 3

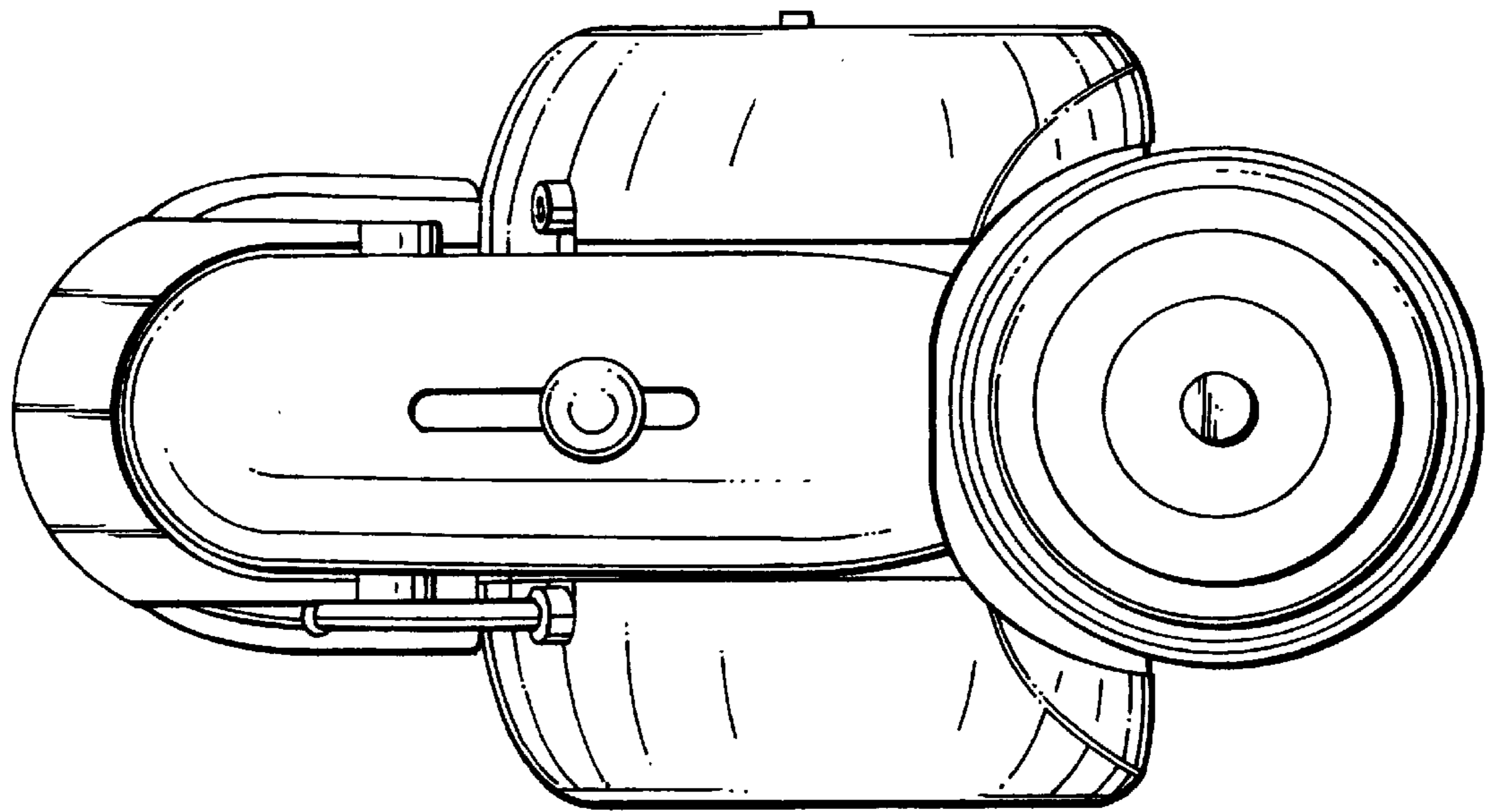


Fig. 4

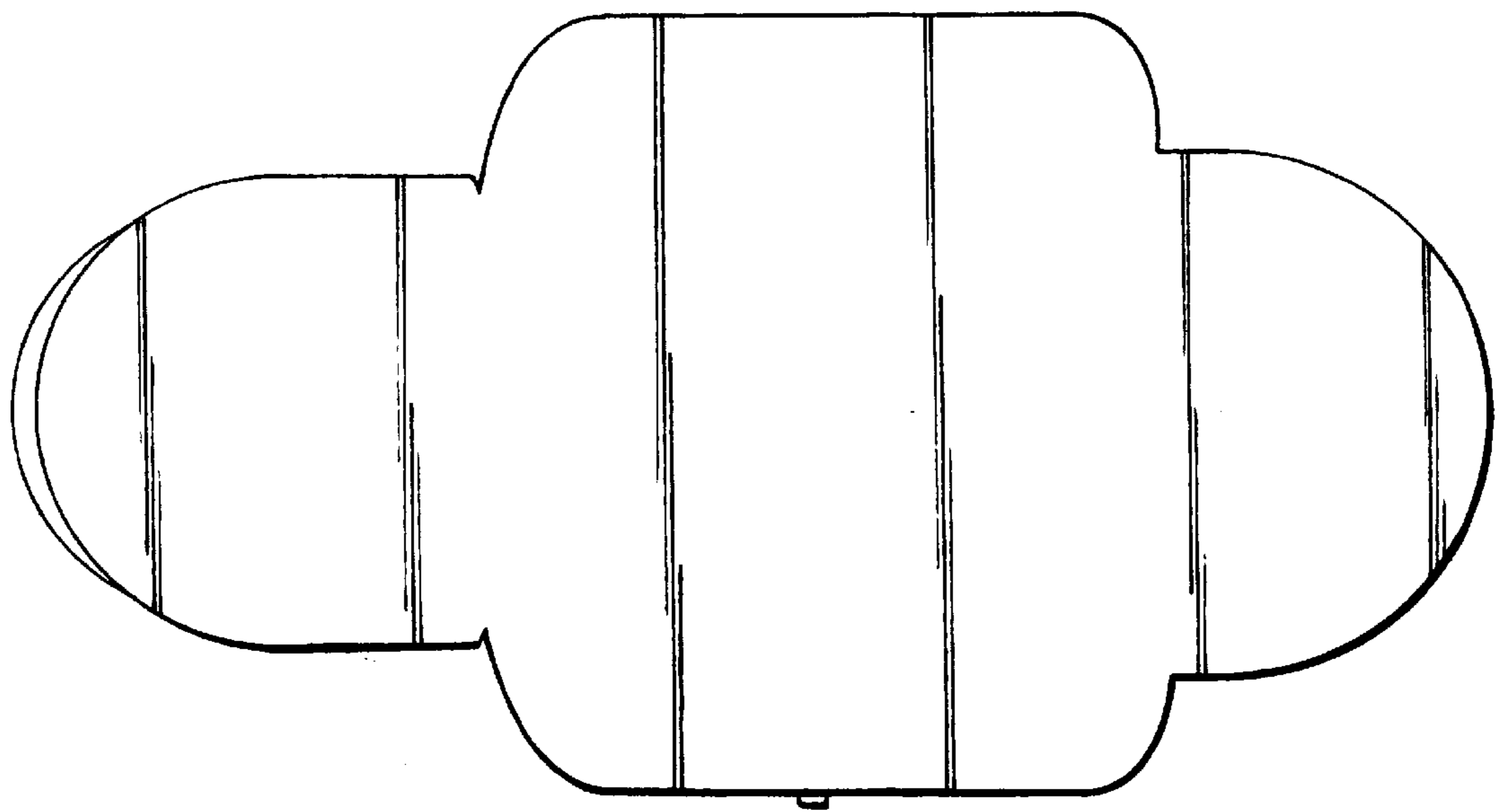


Fig. 5

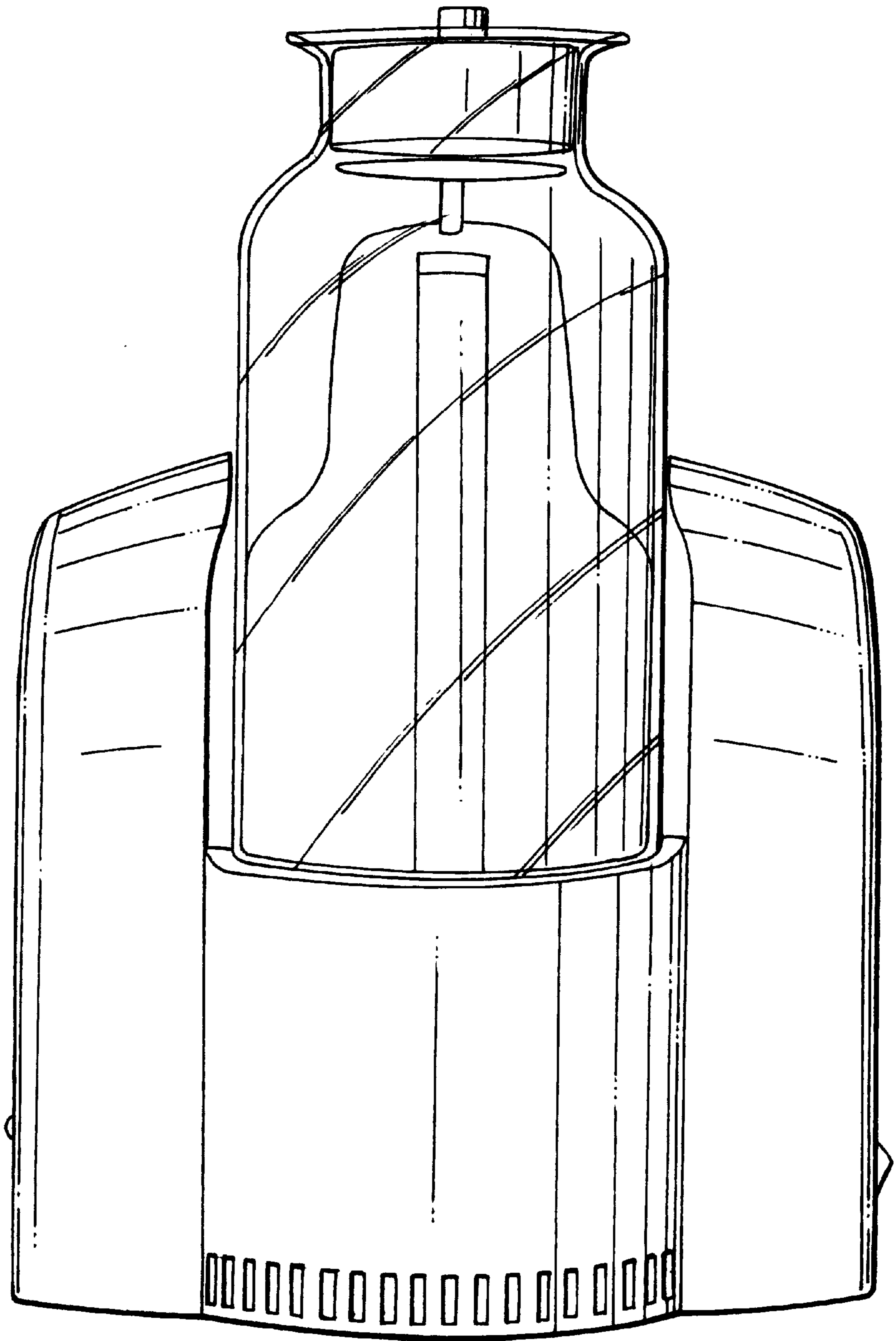


Fig. 6