



US00D460652S

(12) **United States Design Patent**
Mahoney

(10) **Patent No.:** **US D460,652 S**

(45) **Date of Patent:** **** Jul. 23, 2002**

(54) **ATHLETIC EQUIPMENT HANGER**

D378,167 S * 2/1997 Jones, Jr. D6/552 X
5,029,874 A 2/2000 Meggitt
6,216,887 B1 * 4/2001 Soo 211/85.7

(76) Inventor: **Michael J. Mahoney**, 8905 Versailles
Dr., Bakersfield, CA (US) 93311

(**) Term: **14 Years**

* cited by examiner

Primary Examiner—Brian N. Vinson
(74) *Attorney, Agent, or Firm*—James M. Duncan

(21) Appl. No.: **29/142,440**

(22) Filed: **May 24, 2001**

(57) **CLAIM**

(51) **LOC (7) Cl.** **08-08**

The ornamental design for an athletic equipment hanger, as shown and described.

(52) **U.S. Cl.** **D6/552; D6/567**

DESCRIPTION

(58) **Field of Search** D6/552, 553, 513,
D6/514; 211/13.1, 86.01, 113, 205, 206,
182

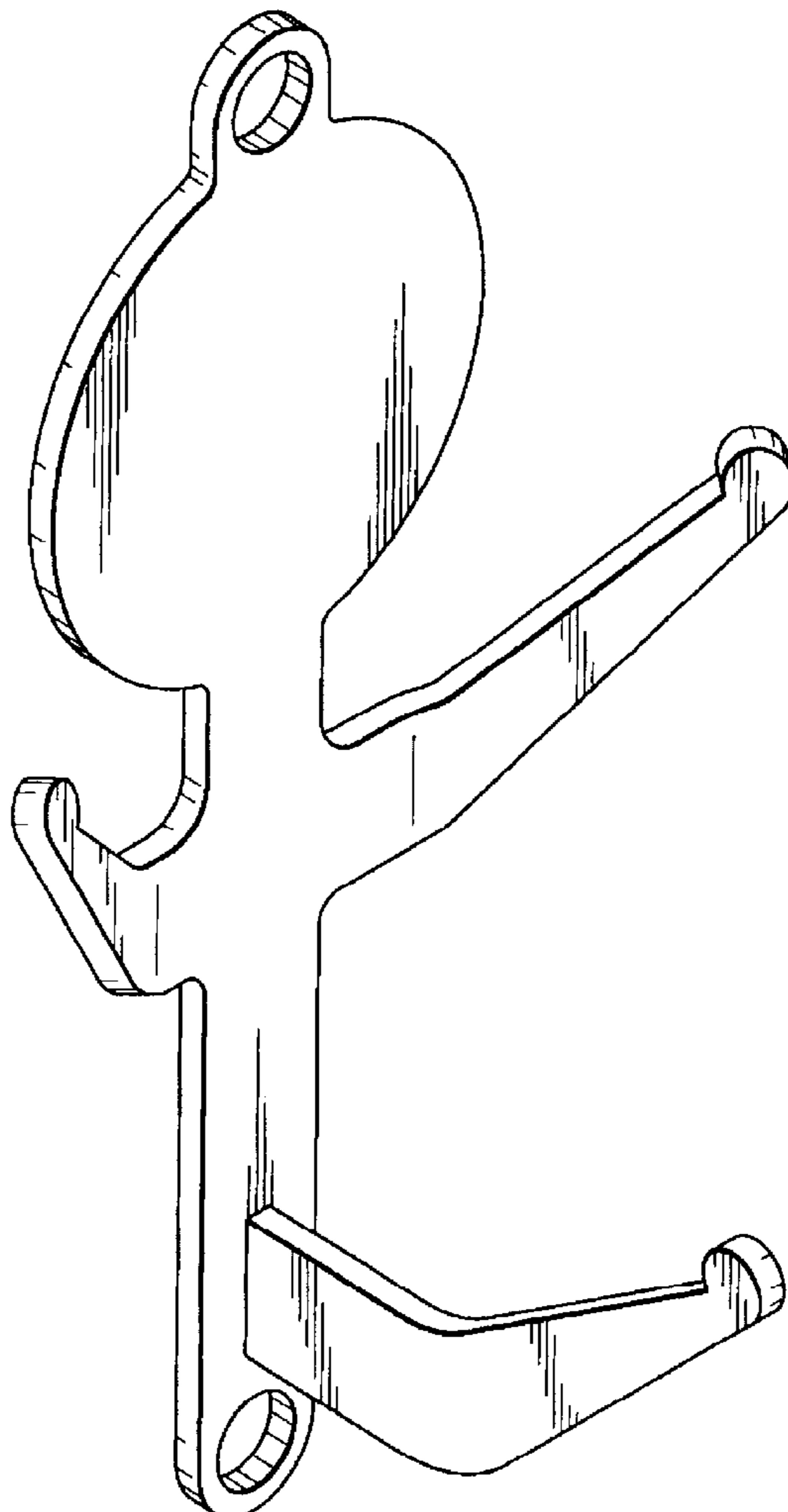
FIG. 1 is a front isometric view of an athletic equipment hanger showing my new design;
FIG. 2 is a top view thereof;
FIG. 3 is a front view thereof;
FIG. 4 is a rear view thereof;
FIG. 5 is a bottom view thereof; and,
FIG. 6 is a side thereof, the other side being a mirror image thereof.

(56) **References Cited**

U.S. PATENT DOCUMENTS

- 4,193,495 A 3/1980 Keeley
- 4,629,065 A 12/1980 Braaten
- D272,494 S * 2/1984 Mahowald D6/513
- 4,957,259 A 9/1990 Wolf
- D363,613 S * 10/1995 Ehrmann D6/552 X

1 Claim, 4 Drawing Sheets



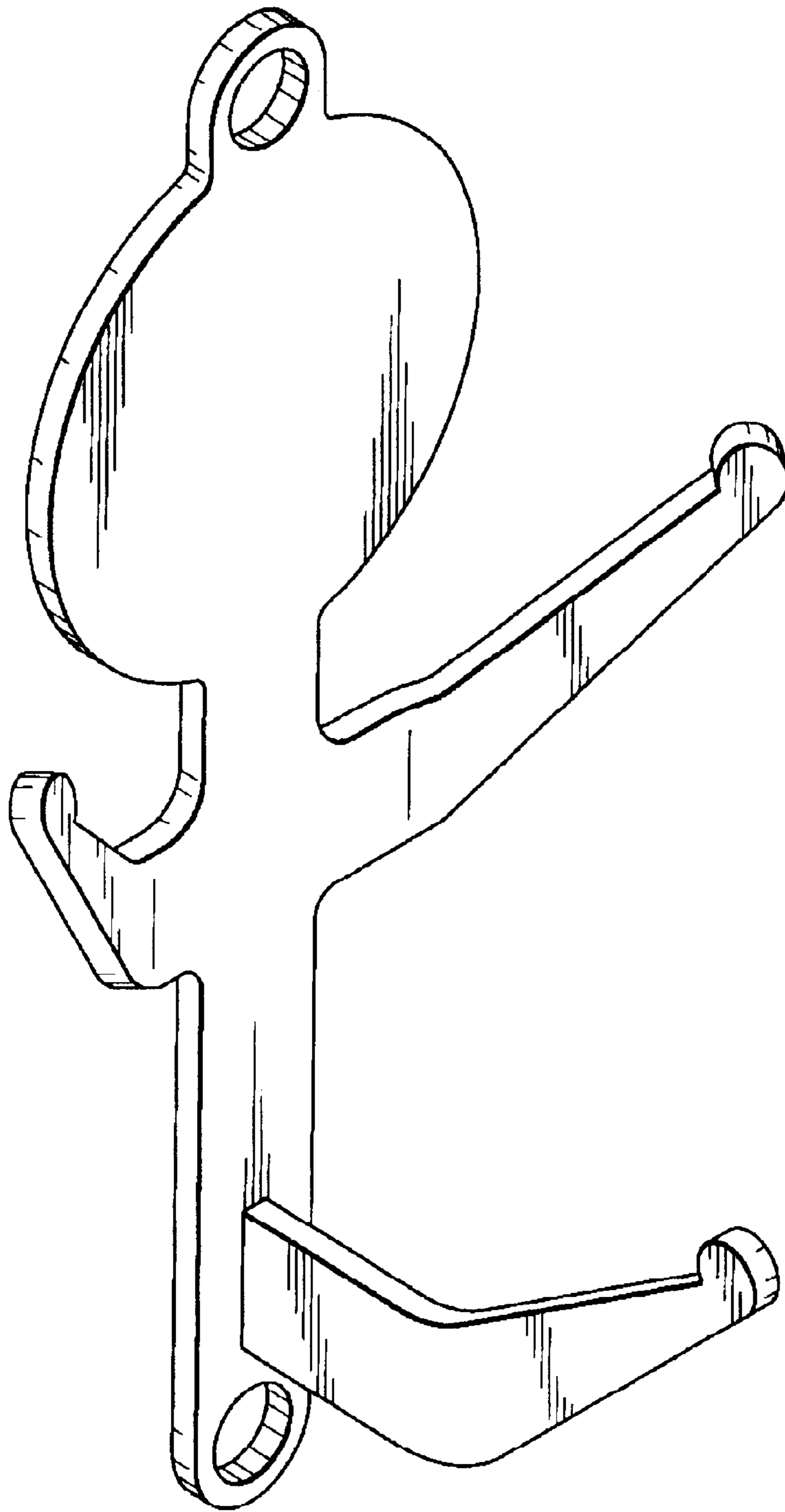


FIG. 1

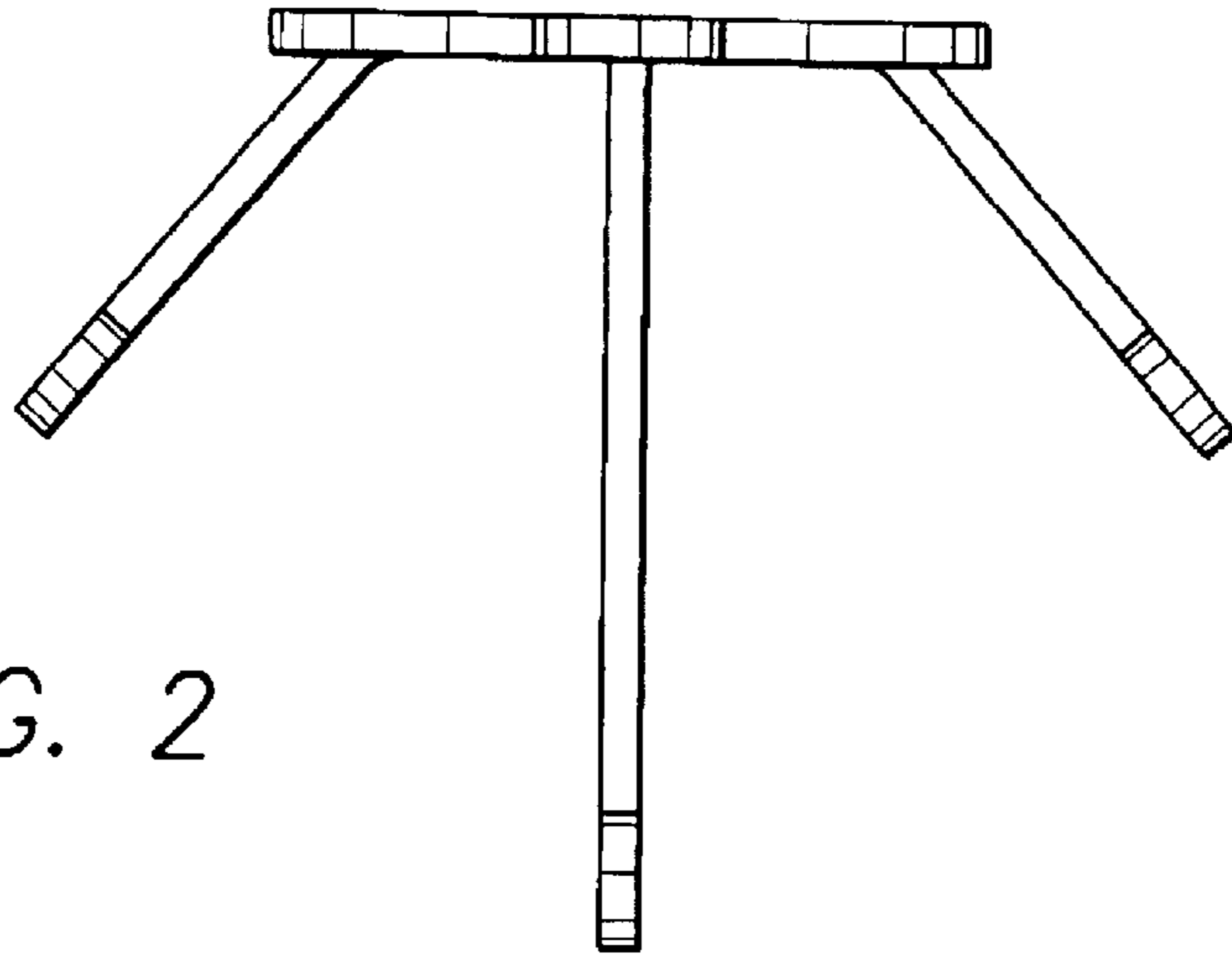


FIG. 2

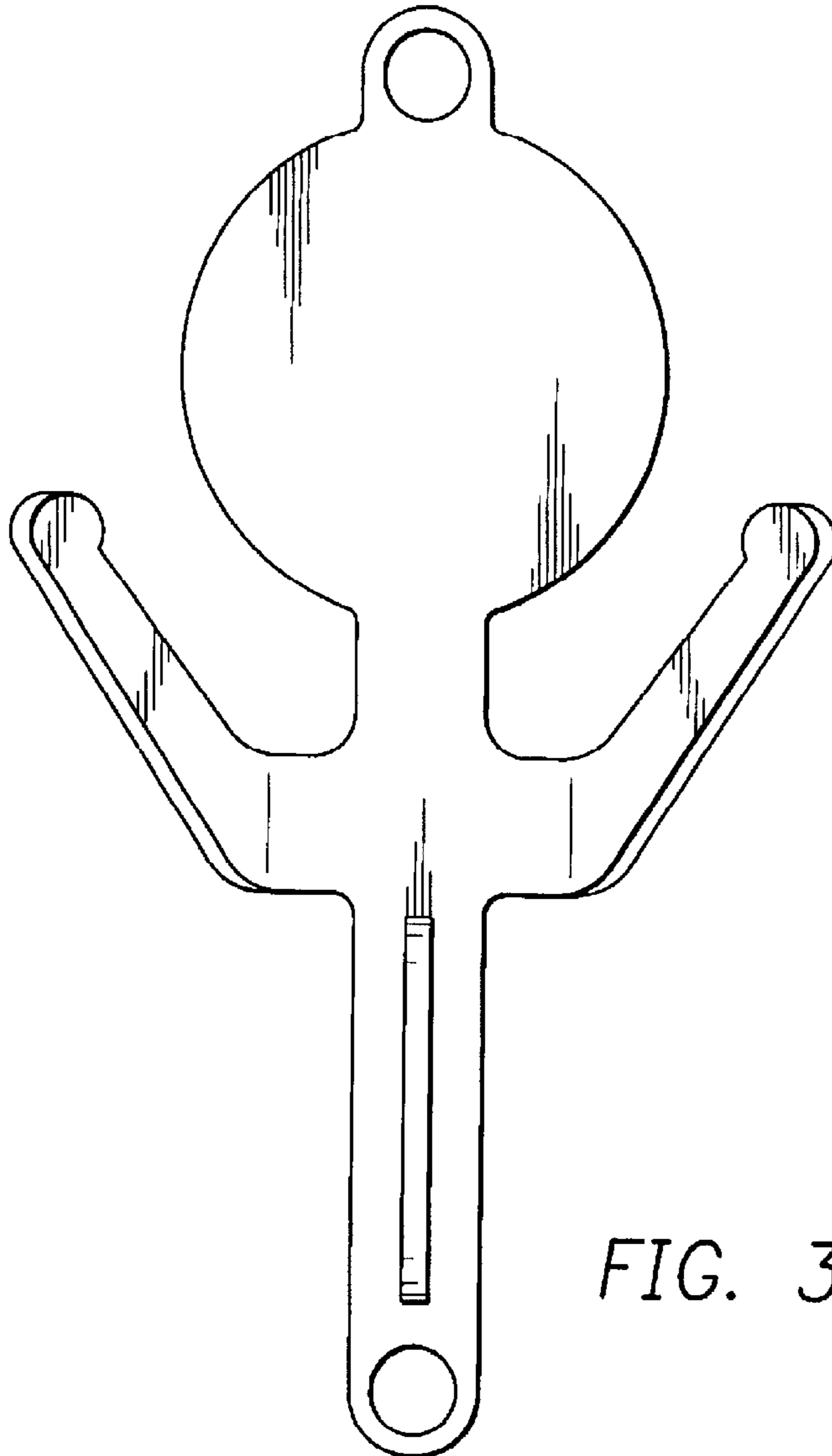


FIG. 3

FIG. 4

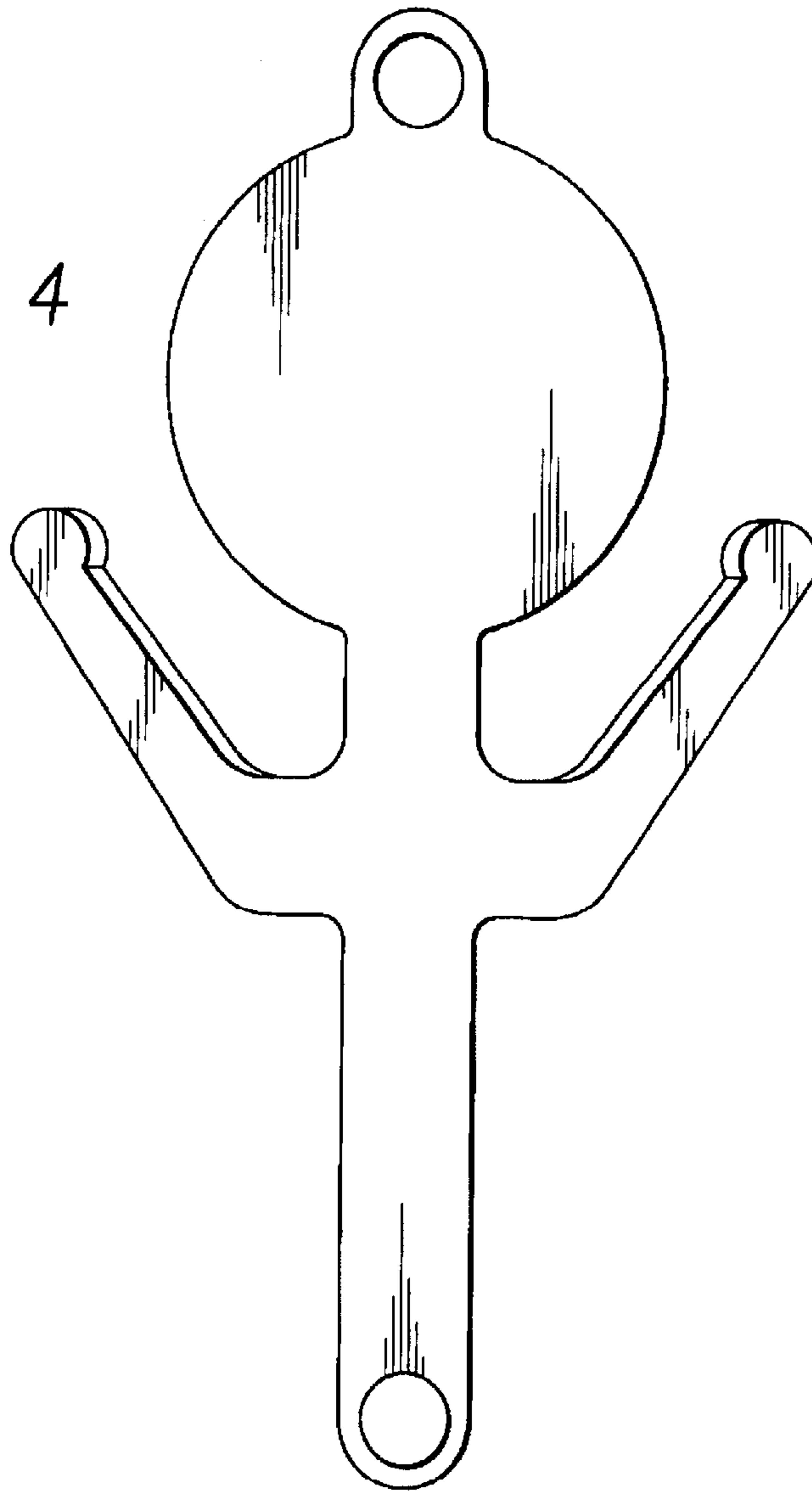
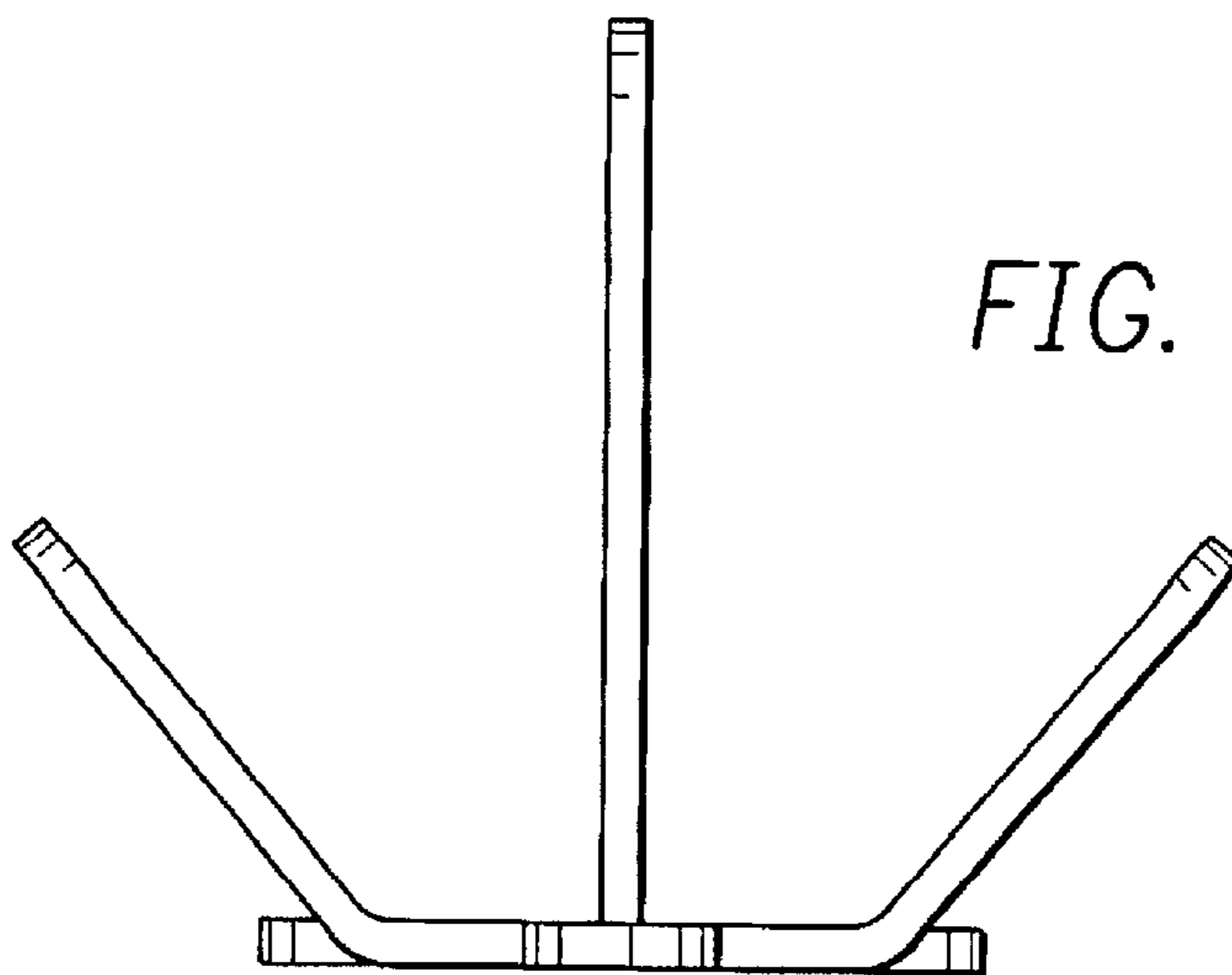


FIG. 5



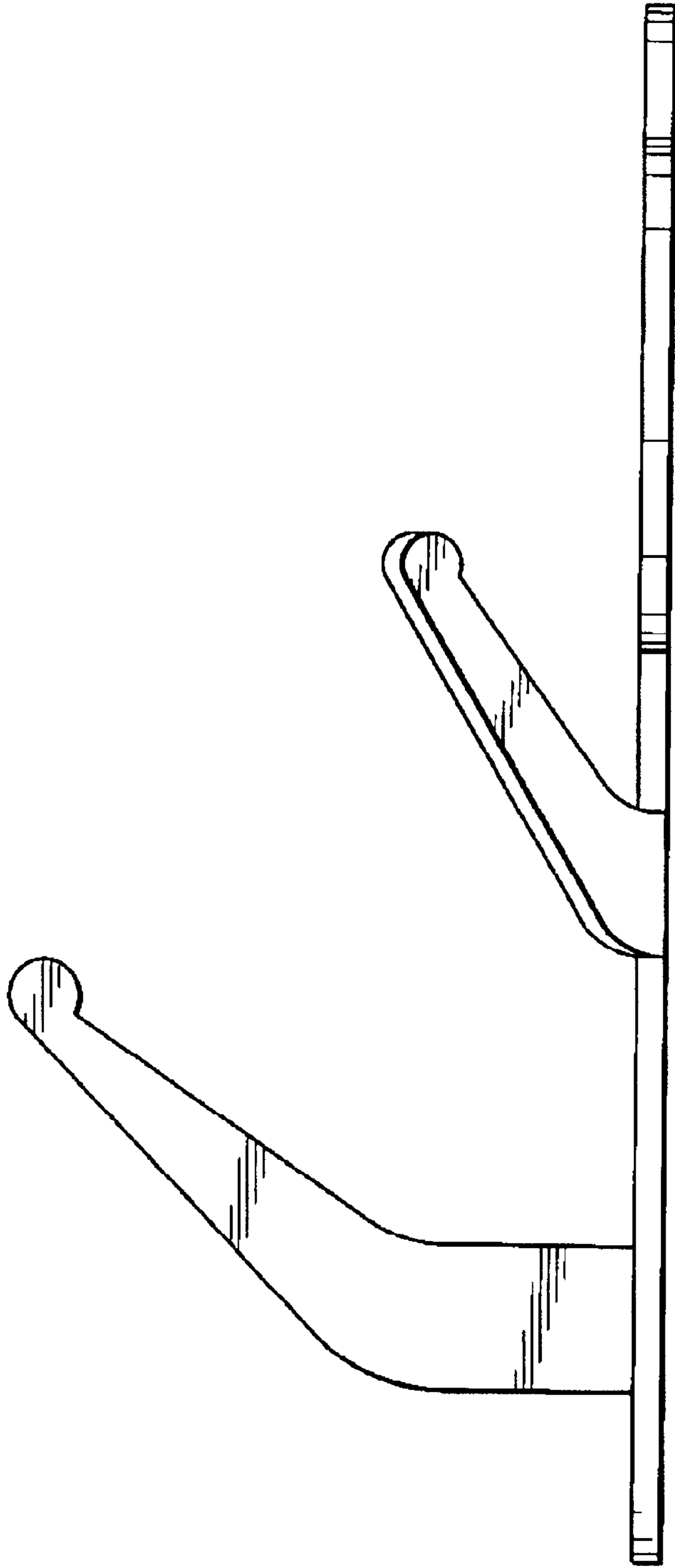


FIG. 6