



US00D460650S

(12) **United States Design Patent**
Snell

(10) **Patent No.:** **US D460,650 S**

(45) **Date of Patent:** **** *Jul. 23, 2002**

(54) **TISSUE HOLDER**

3,476,344 A * 11/1969 Pace 248/176.1 X
D310,479 S * 9/1990 Speetzen D6/567 X

(75) Inventor: **Russell Benton Snell**, Bentleyville, OH (US)

* cited by examiner

(73) Assignee: **InterDesign, Inc.**, Solon, OH (US)

Primary Examiner—Brian N. Vinson
(74) *Attorney, Agent, or Firm*—D. Peter Hochberg; Katherine R. Vieyra; Sean Mellino

(*) Notice: This patent is subject to a terminal disclaimer.

(**) Term: **14 Years**

(57) **CLAIM**

The ornamental design for a tissue holder, as shown and described.

(21) Appl. No.: **29/137,759**

DESCRIPTION

(22) Filed: **Feb. 26, 2001**

(51) **LOC (7) Cl.** **23-02**

(52) **U.S. Cl.** **D6/523**; D6/522; D6/546

(58) **Field of Search** D6/546-50, 518, D6/522-24; D8/300, 307-308, 315-21, 349, 354, 363, 367, 373, 376; 108/28-29; 211/13.1, 16, 60.1, 86.01, 87.01, 88.04, 100, 105.1-105.2, 123, 181.1, 182; 242/570, 590, 595, 597-98; 248/175, 176.1, 251, 302; 16/110.1, 412, 415

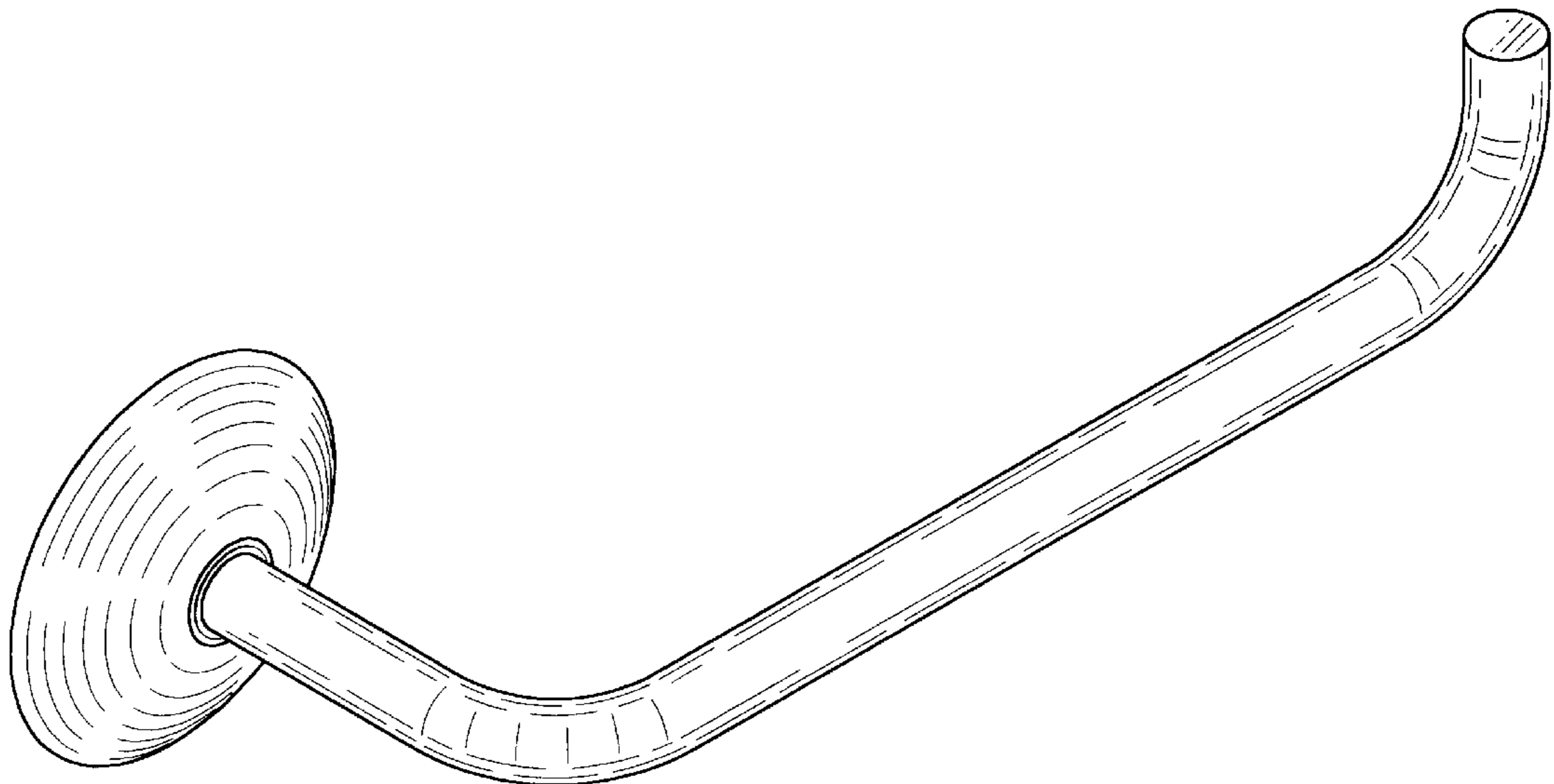
FIG. 1 is a perspective view of the tissue holder according to the invention;
FIG. 2 is a top view of the tissue holder as shown in FIG. 1;
FIG. 3 is a front view of the tissue holder as shown in FIG. 1;
FIG. 4 is a side view of the tissue holder as shown in FIG. 1;
FIG. 5 is a rear view of the tissue holder as shown in FIG. 1;
FIG. 6 is a side view as shown in FIG. 1, viewed from the opposite side from that shown in FIG. 4; and,
FIG. 7 is a bottom view of the tissue holder as shown in FIG. 1.

(56) **References Cited**

U.S. PATENT DOCUMENTS

D27,426 S * 7/1897 Walters et al. D8/367 X

1 Claim, 3 Drawing Sheets



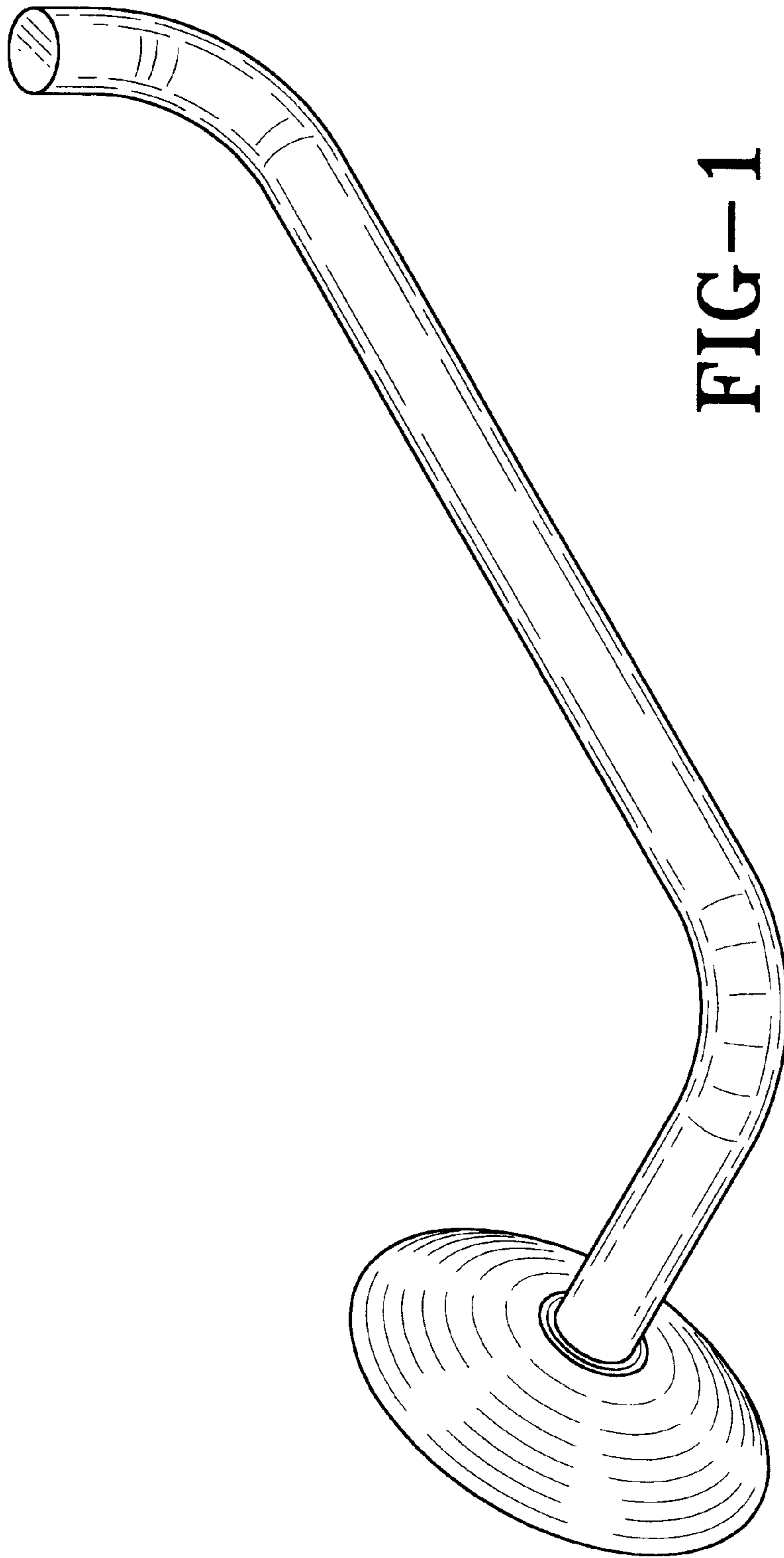


FIG-1



FIG-2

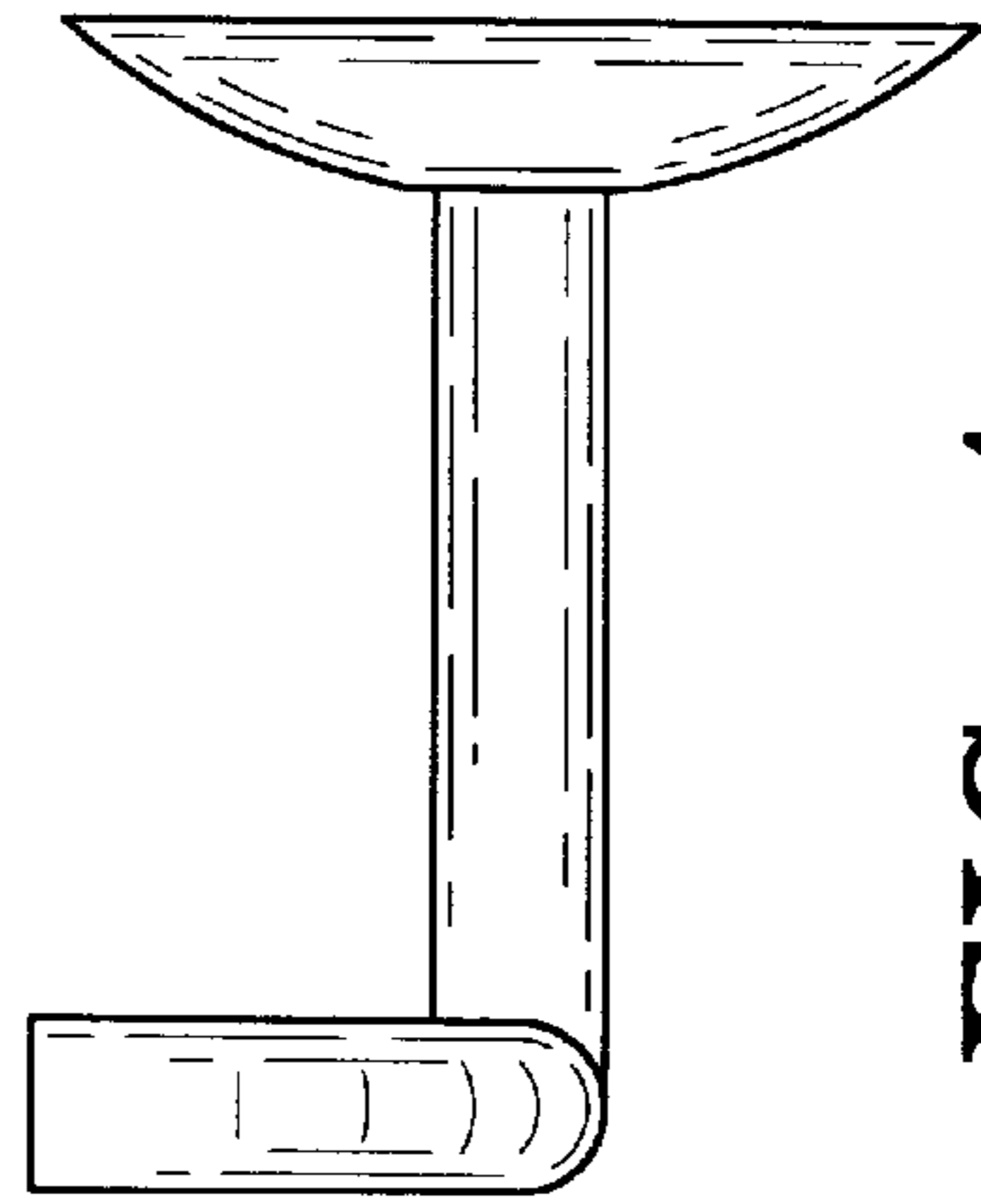


FIG-4

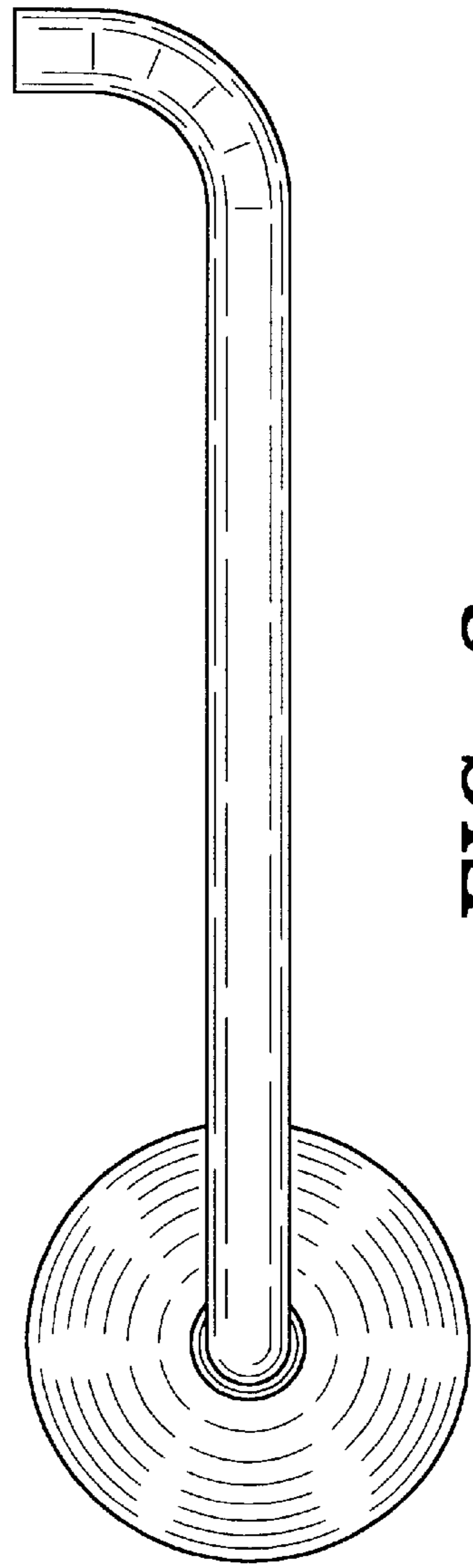


FIG-3

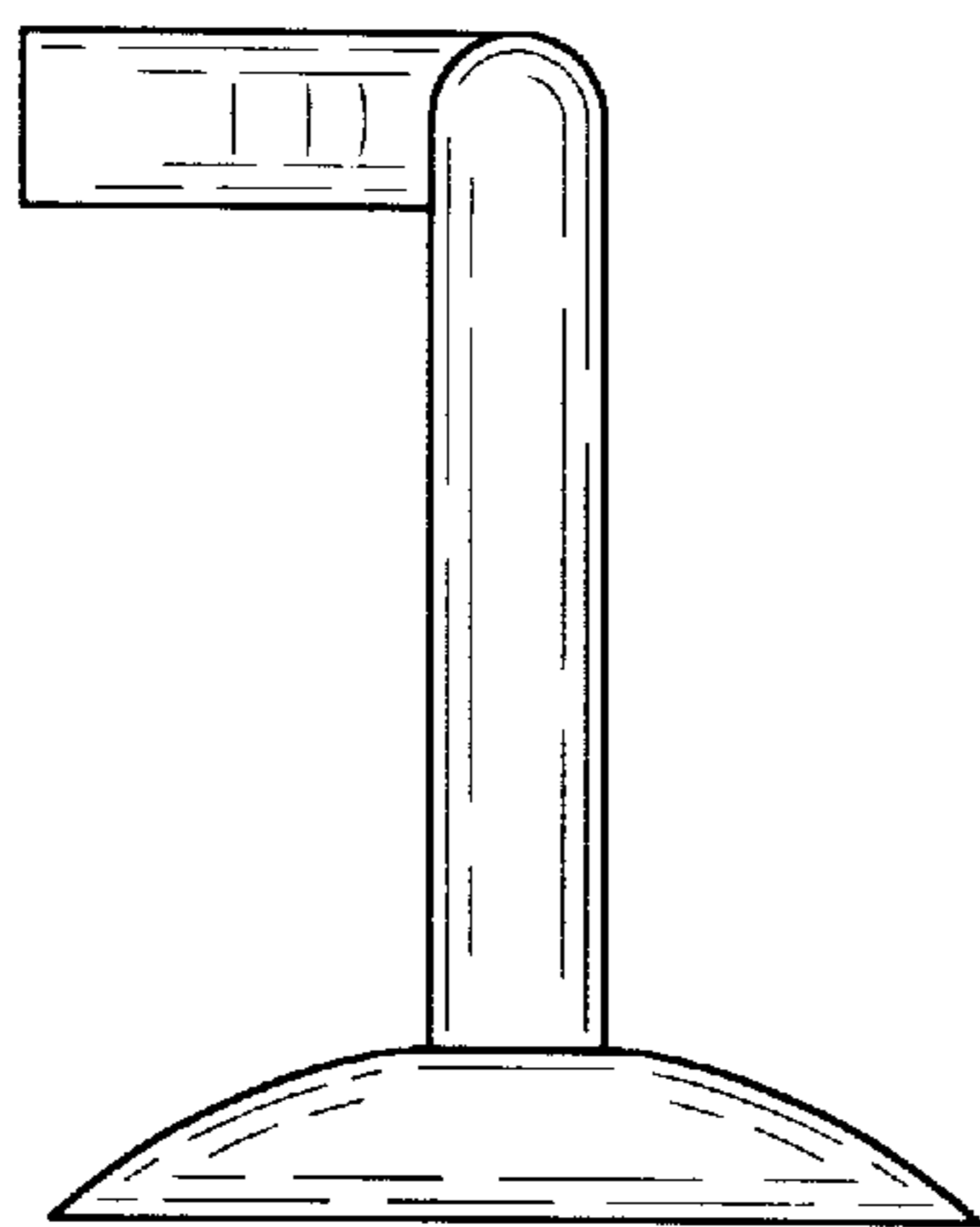


FIG-6

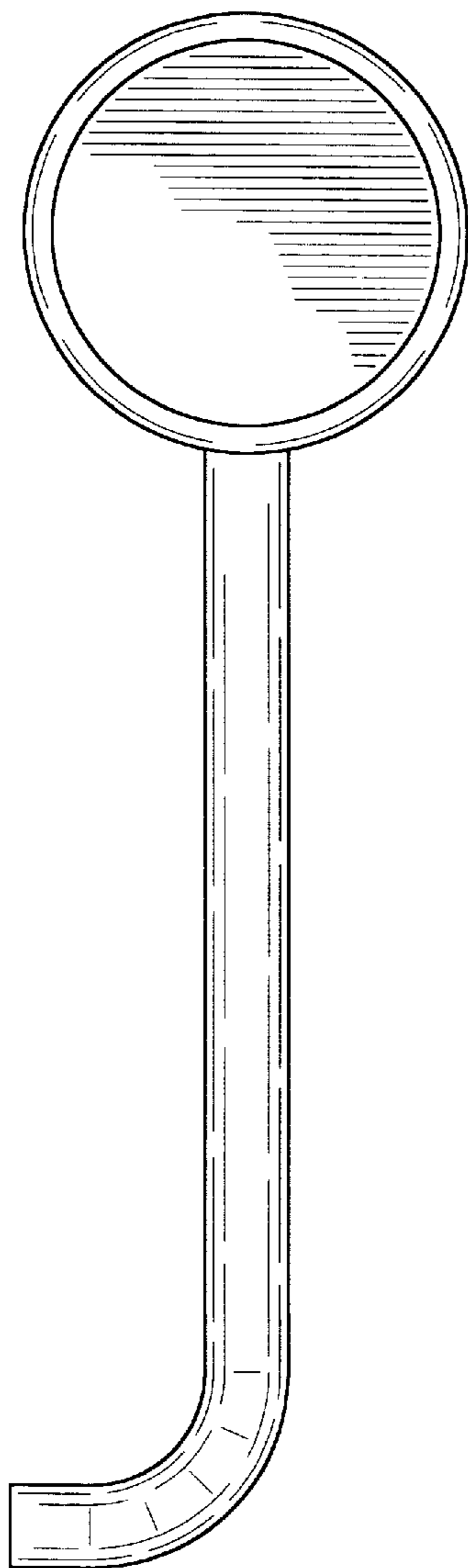


FIG-5

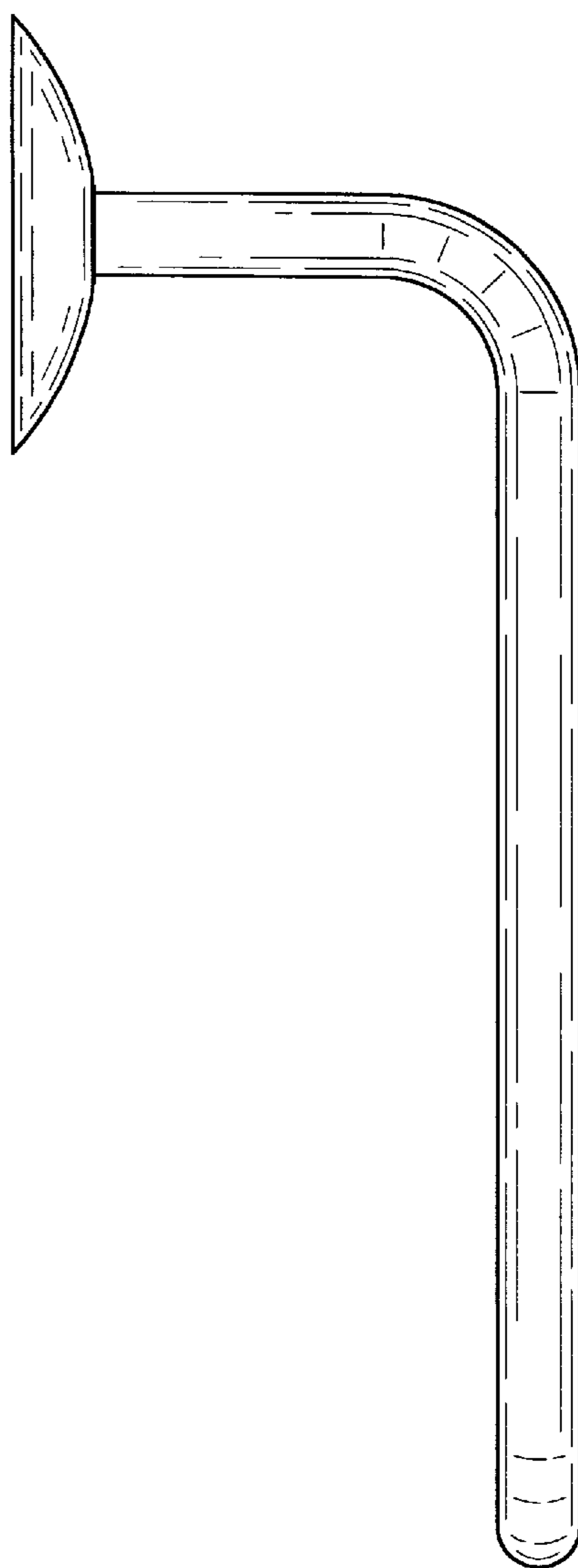


FIG-7