



US00D460648S

(12) **United States Design Patent**  
**Ong**

(10) **Patent No.:** **US D460,648 S**

(45) **Date of Patent:** **\*\* Jul. 23, 2002**

(54) **SQUARE TISSUE BOX COVER WITH DIMPLED EDGES**

(76) Inventor: **Bon S. Ong**, Box 4247, Torrance, CA (US) 90510

(\*\*) Term: **14 Years**

(21) Appl. No.: **29/155,440**

(22) Filed: **Feb. 12, 2002**

(51) **LOC (7) Cl.** ..... **20-02**

(52) **U.S. Cl.** ..... **D6/518**

(58) **Field of Search** ..... D6/515-523; 312/34.1, 312/34.4; 206/804, 812; 211/13.1, 48, 49; 221/22, 33, 45, 286

(56) **References Cited**

**U.S. PATENT DOCUMENTS**

2,433,587 A	*	12/1947	Wentworth	.....	206/804 X
D201,462 S	*	6/1965	Klein	.....	D6/518
D205,629 S	*	8/1966	Hartley	.....	D6/518
D205,721 S	*	9/1966	O'Neil	.....	D6/518
D208,206 S		8/1967	Helgeson	.....	D52/2
D304,651 S	*	11/1989	McKee	.....	D6/520
D334,498 S	*	4/1993	Romme et al.	.....	D6/515
D348,389 S	*	7/1994	Nigro	.....	D6/515 X
D371,708 S		7/1996	Haley et al.	.....	D6/518
D372,386 S		8/1996	Kuchenbecker	.....	D6/518
D372,387 S	*	8/1996	Kuchenbecker	.....	D6/518
D390,391 S		2/1998	Hsu	.....	D6/518
D403,189 S		12/1998	Isaacson	.....	D6/518
D424,342 S	*	5/2000	Pasquale	.....	D6/518 X
D436,273 S		1/2001	Lange		

**OTHER PUBLICATIONS**

Ma Leck Catalogue (1980) p. 31, Tissue Box Covers ML 1550.

\* cited by examiner

*Primary Examiner*—Brian N. Vinson

(74) *Attorney, Agent, or Firm*—Charles H. Thomas

(57) **CLAIM**

I claim the ornamental design for the article square tissue box cover with dimpled edges, as shown and described.

**DESCRIPTION**

FIG. 1 is a perspective view of one embodiment of a square tissue box cover with dimpled edges having wood grain surface appearances and illustrating my new design;

FIG. 2 is a left-side elevational view thereof, it being understood that the undisclosed right-side elevational view is identical thereto;

FIG. 3 is a front elevational view thereof, it being understood that the undisclosed rear elevational view is identical thereto;

FIG. 4 is a top plan view thereof;

FIG. 5 is a bottom plan view thereof;

FIG. 6 is a perspective view of an alternative embodiment of a square tissue box cover with dimpled edges formed with smooth, plain surfaces and showing my new design;

FIG. 7 is a left-side elevational view thereof, it being understood that the undisclosed right-side elevational view is identical thereto;

FIG. 8 is a front elevational view thereof, it being understood that the undisclosed rear elevational view is identical thereto;

FIG. 9 is a top plan view thereof; and,

FIG. 10 is a bottom plan view thereof.

**1 Claim, 6 Drawing Sheets**

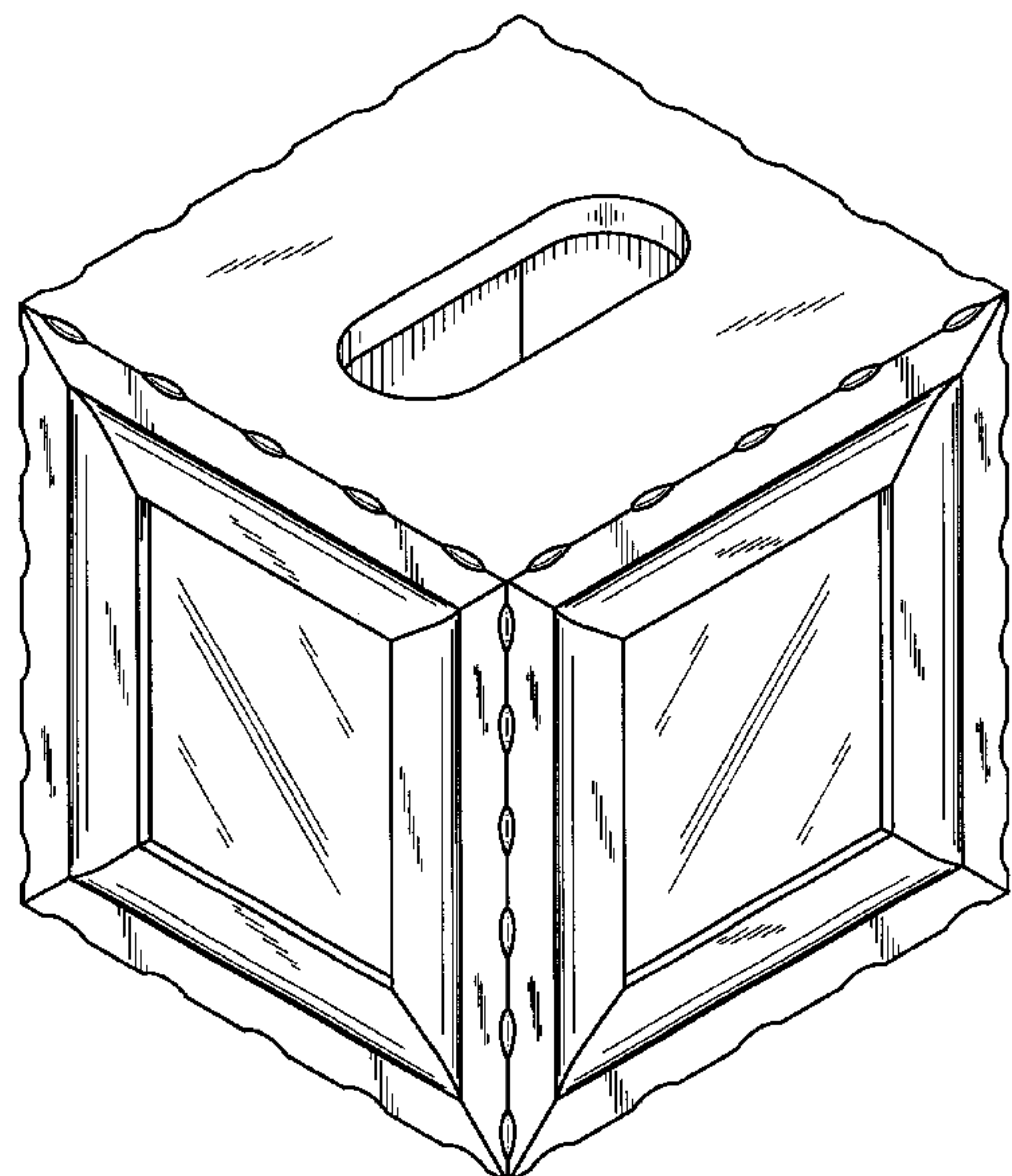
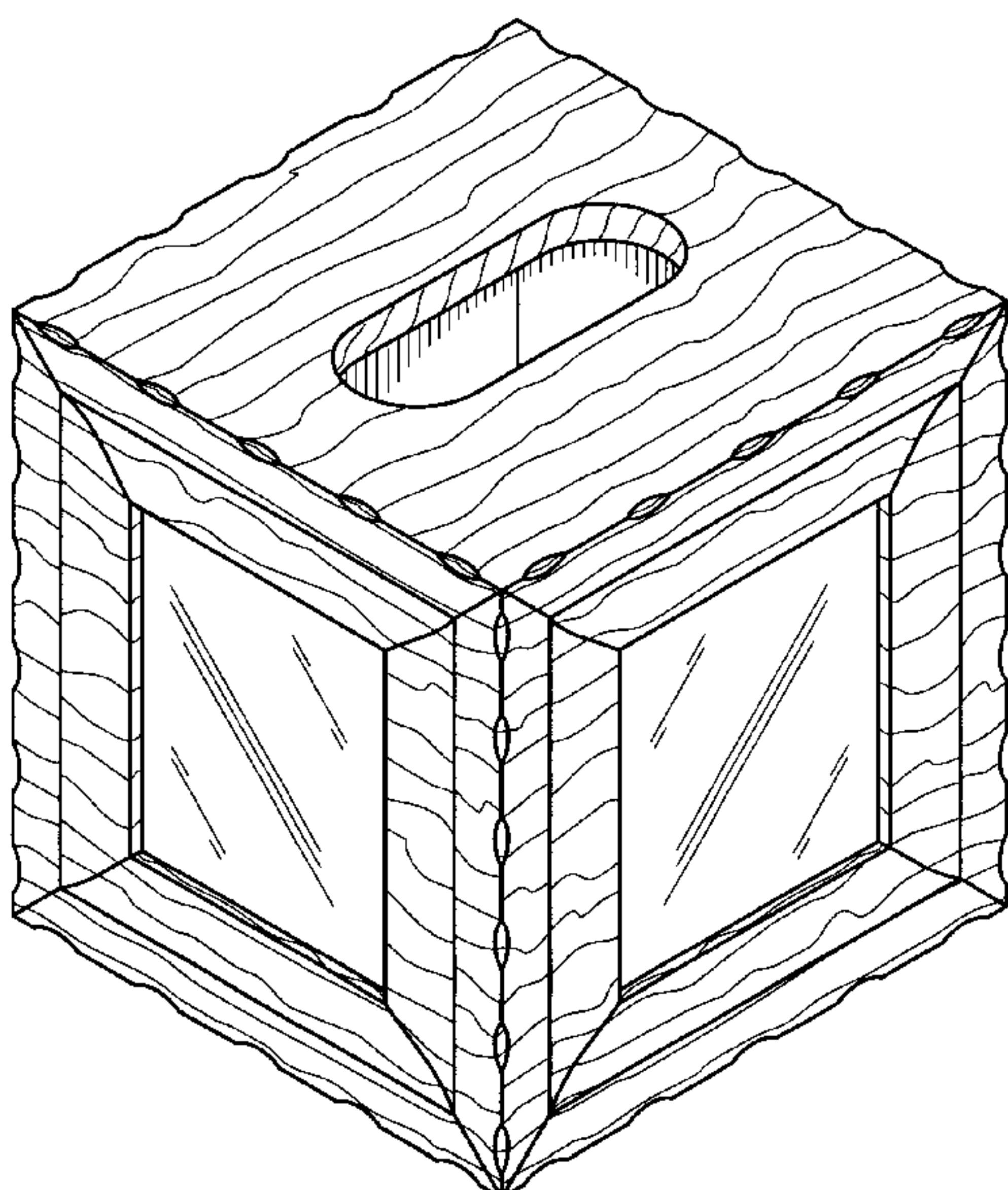


FIG. 1

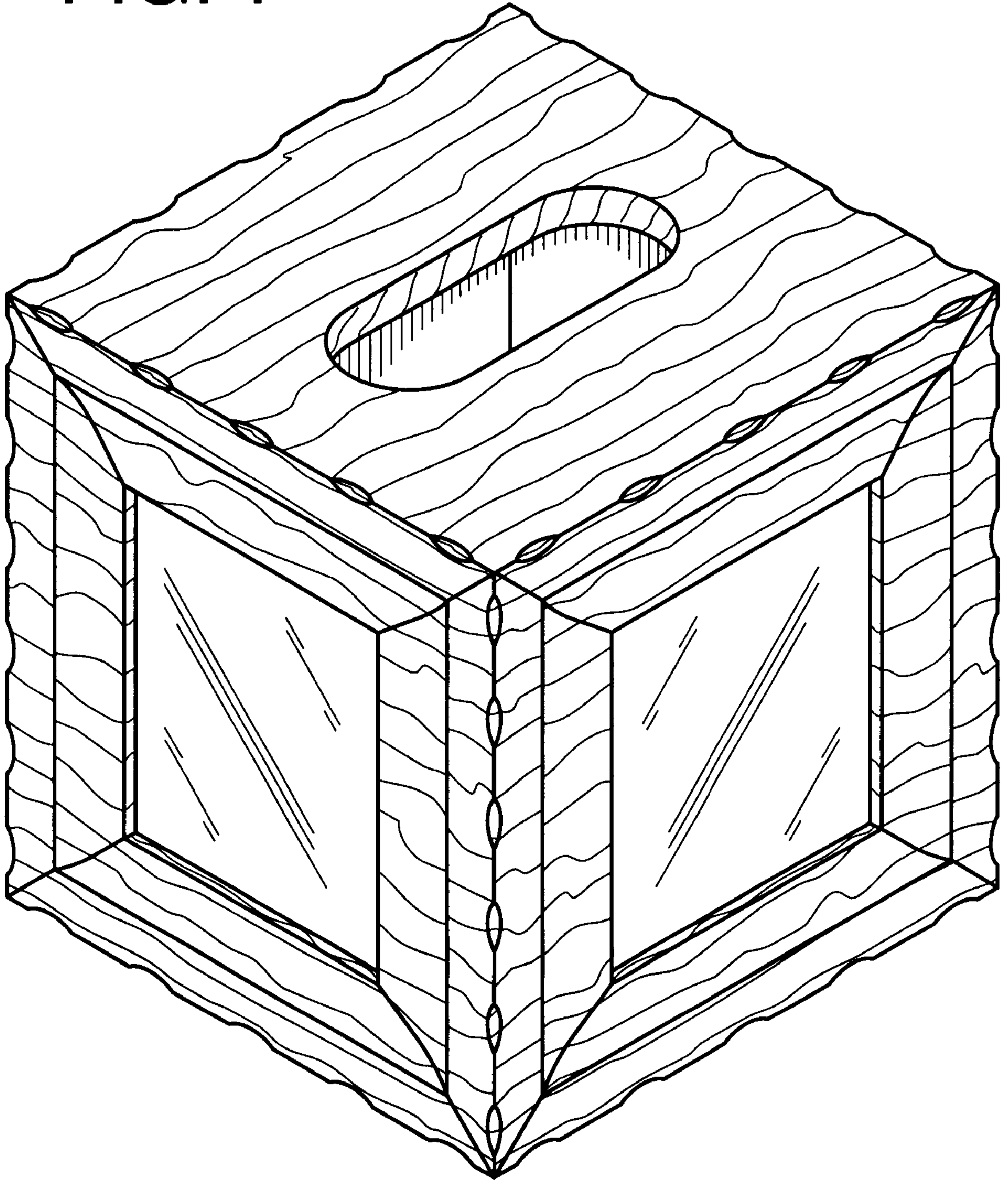




FIG. 3

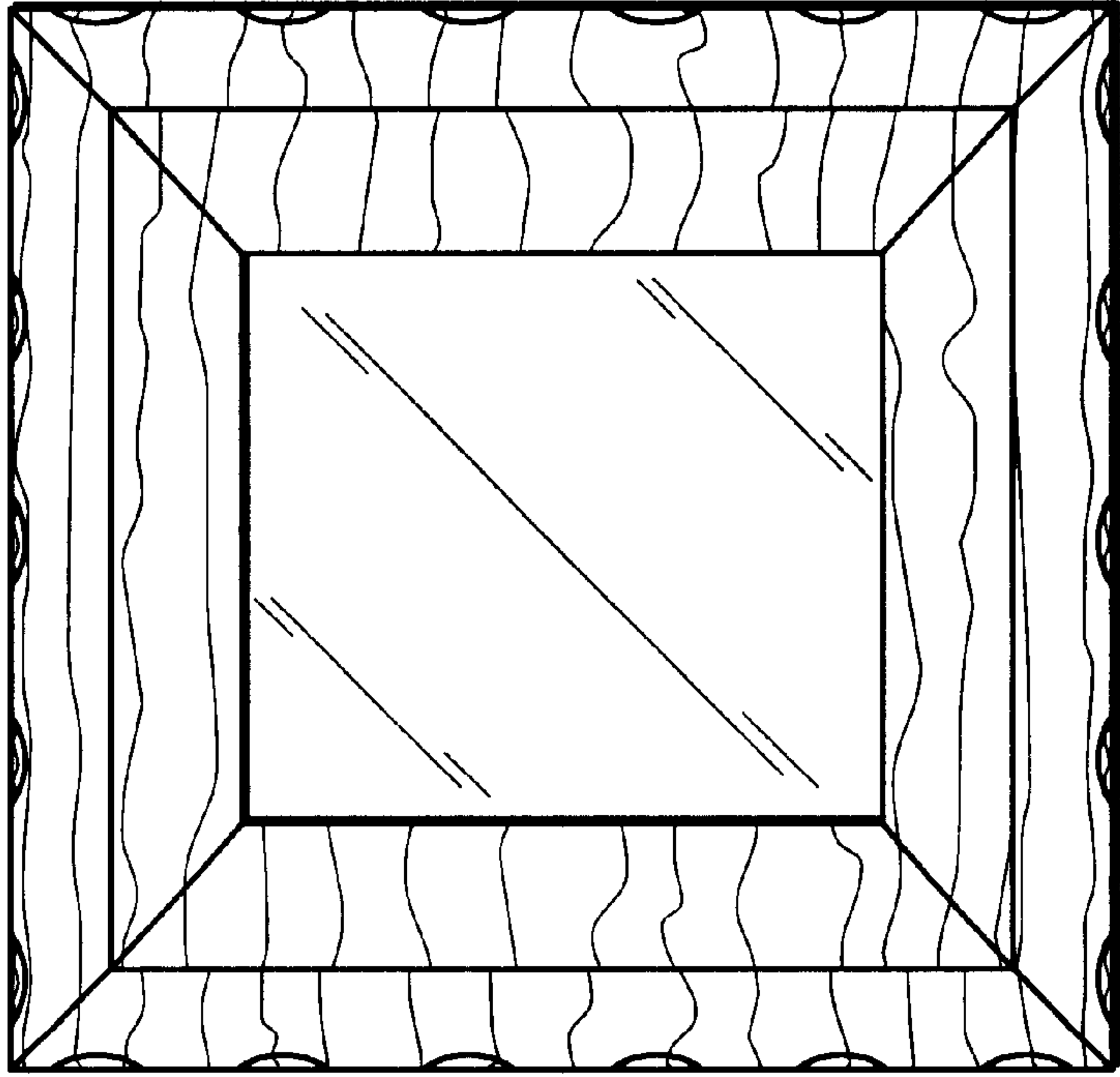


FIG. 2

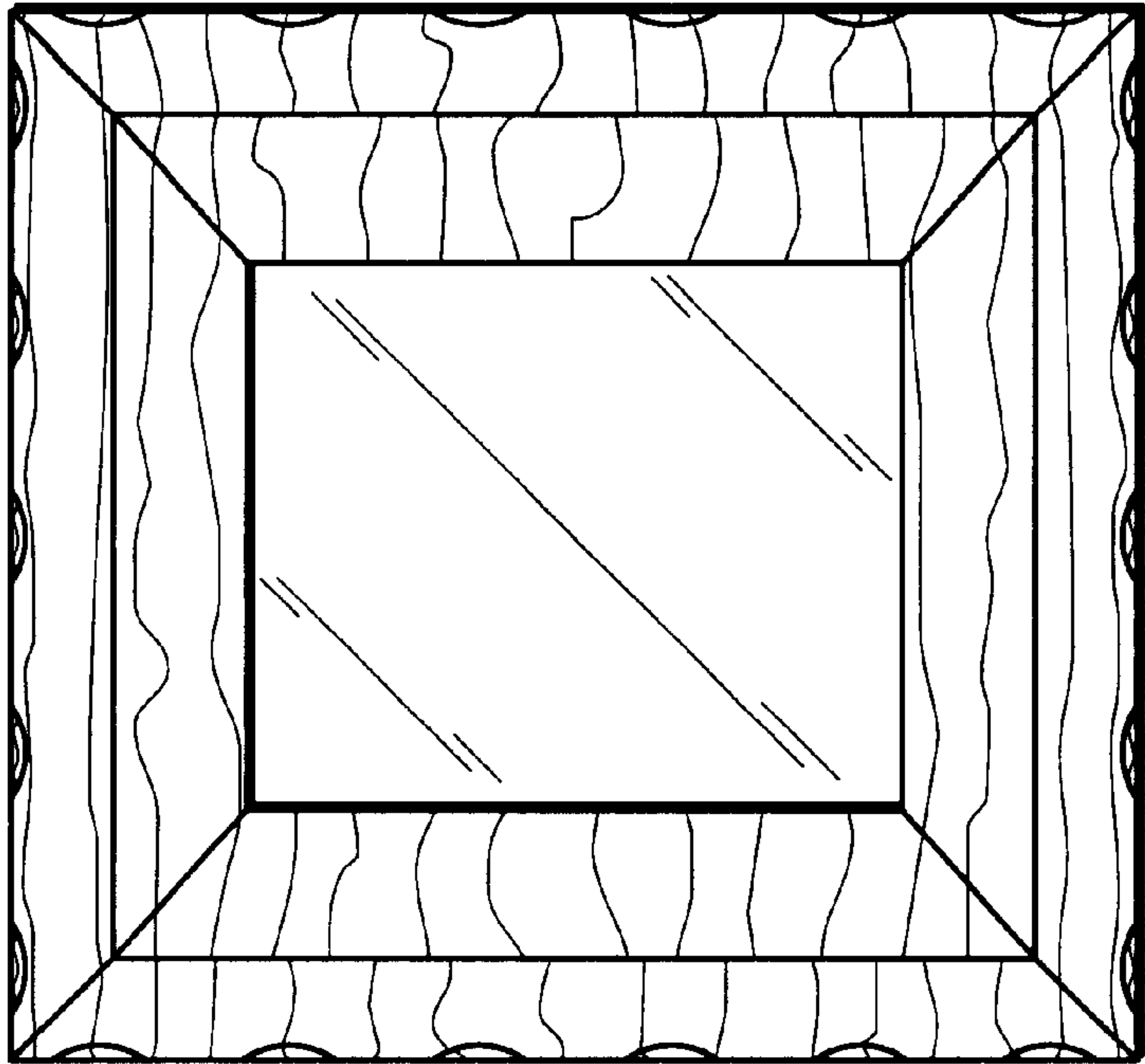


FIG. 4

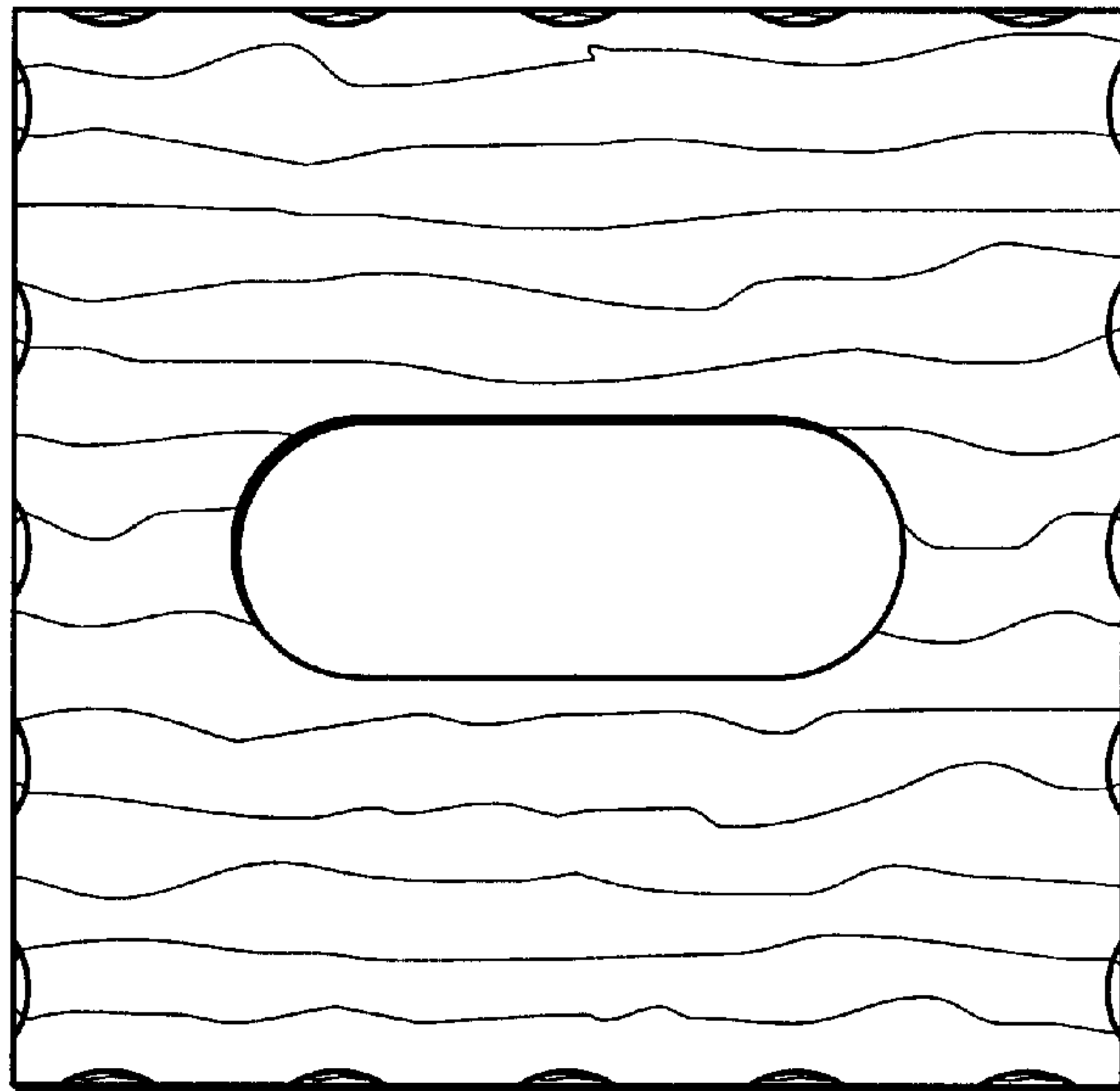


FIG. 5

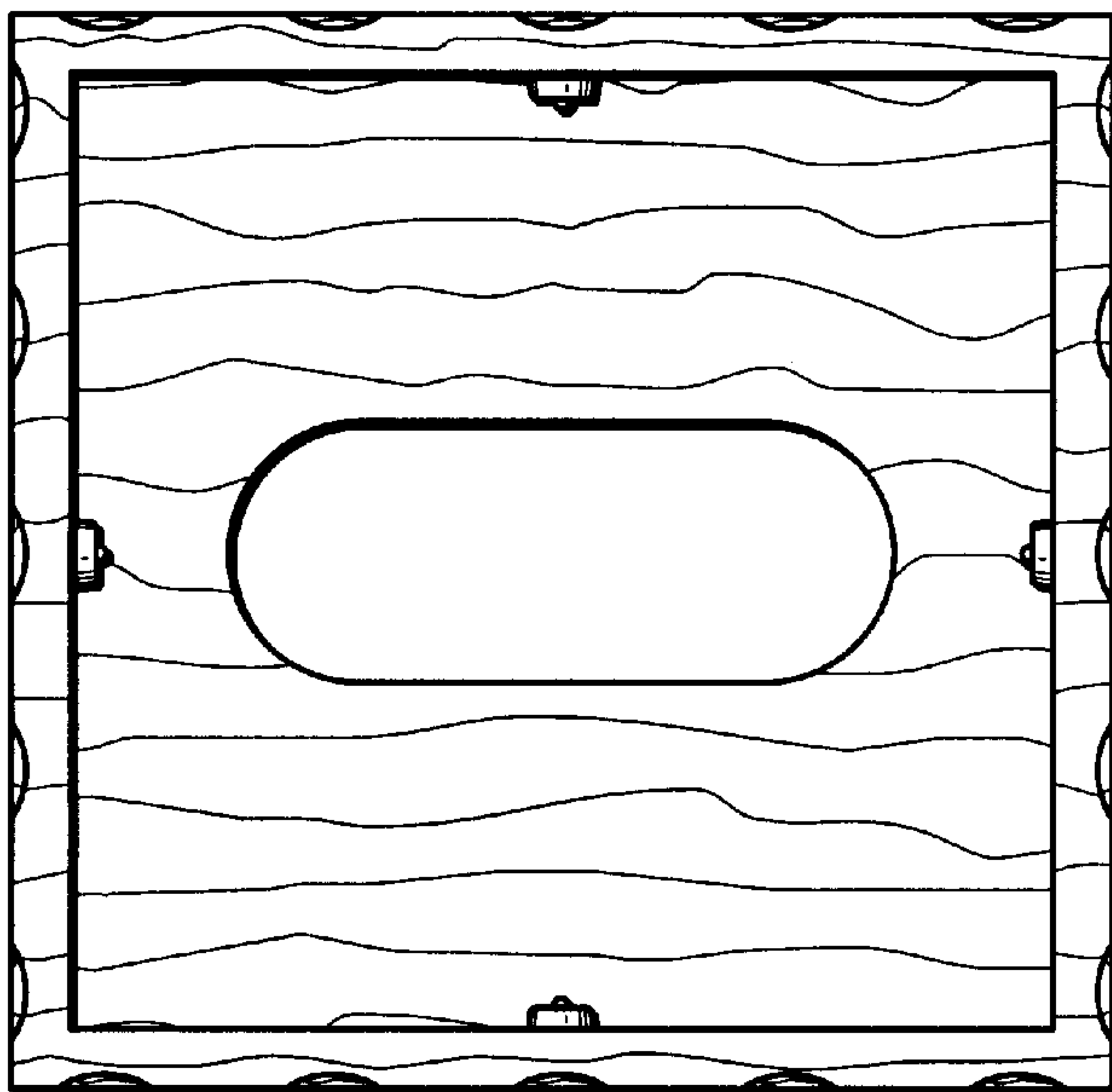


FIG. 6

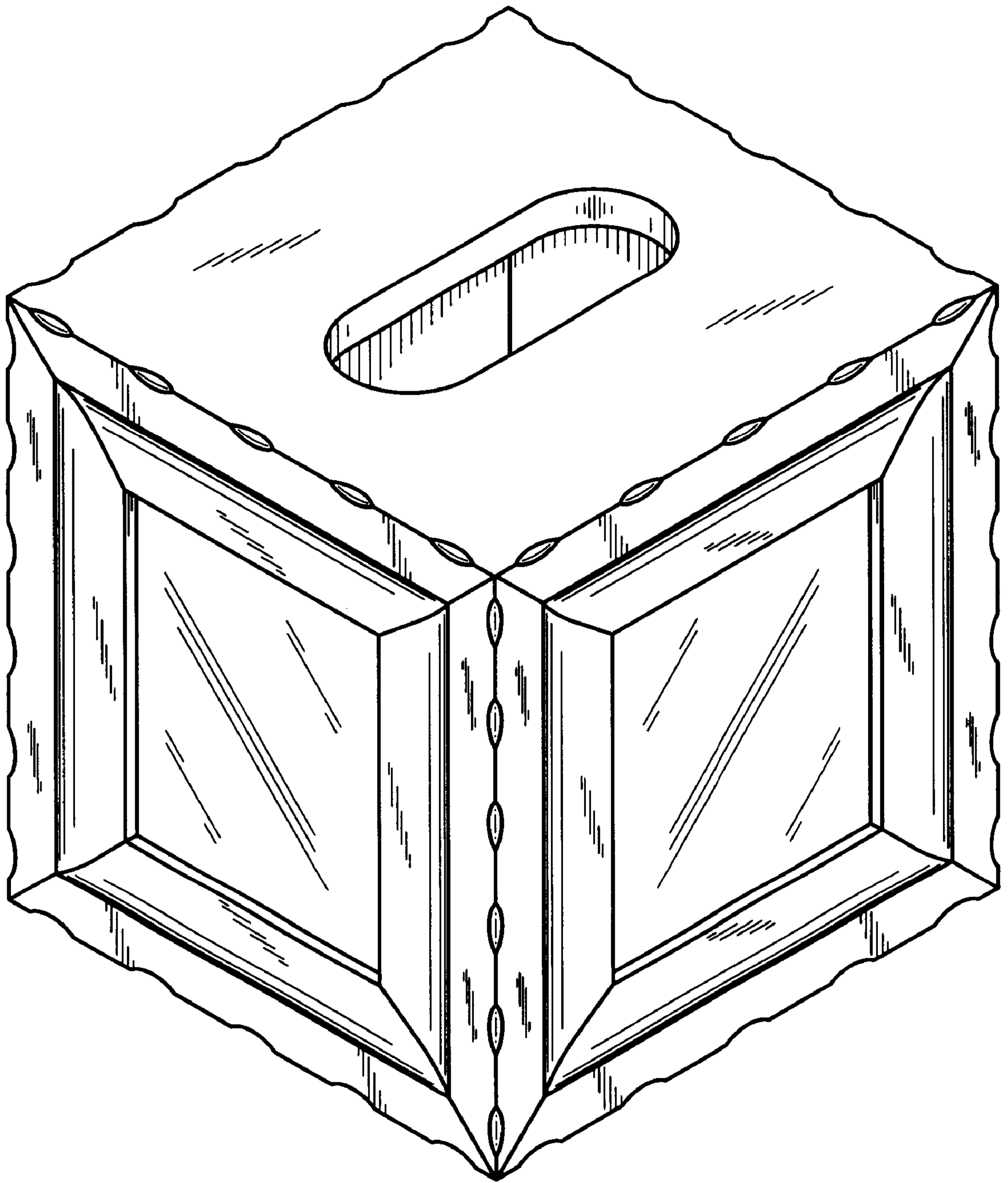


FIG. 8

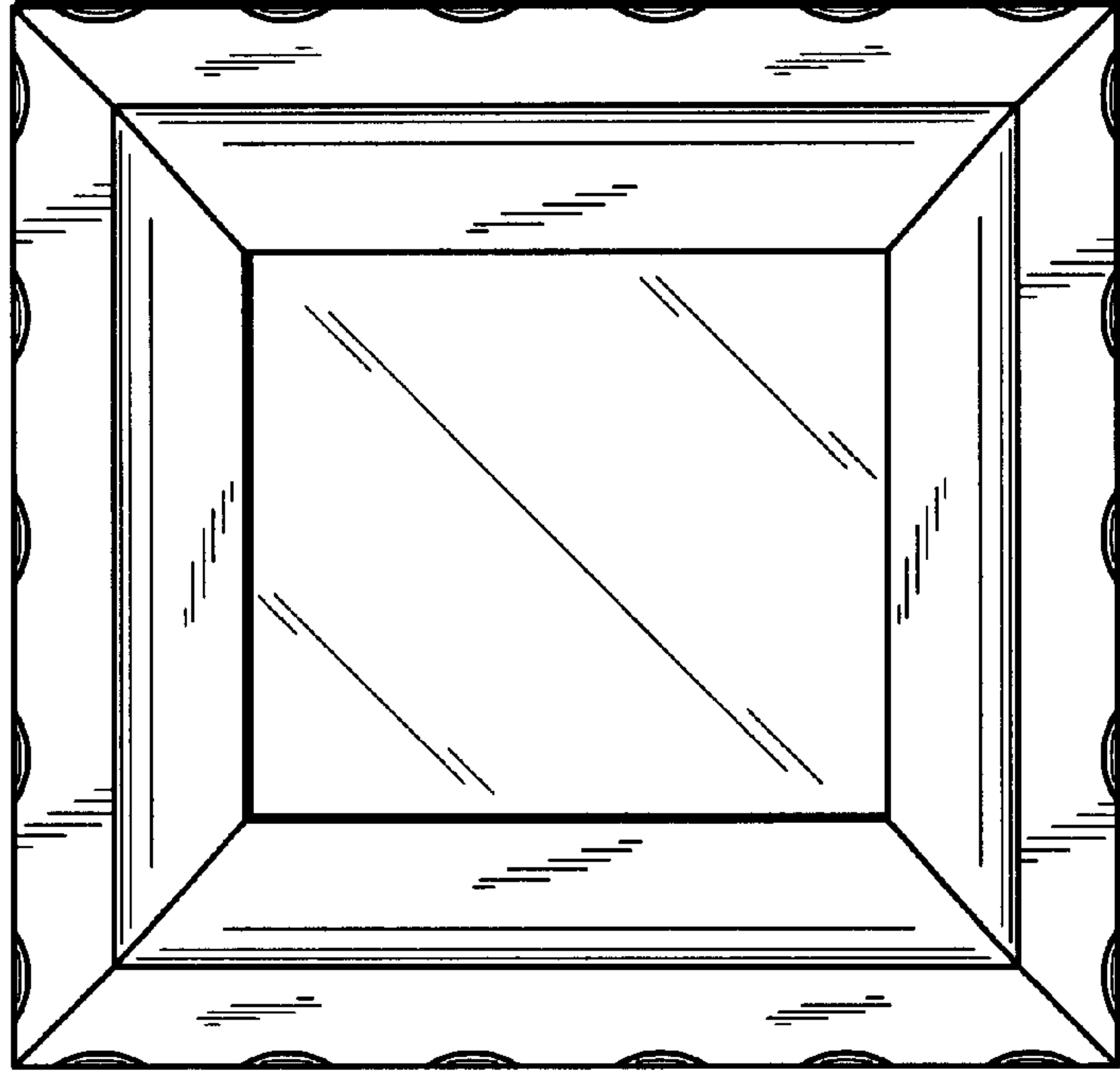


FIG. 7

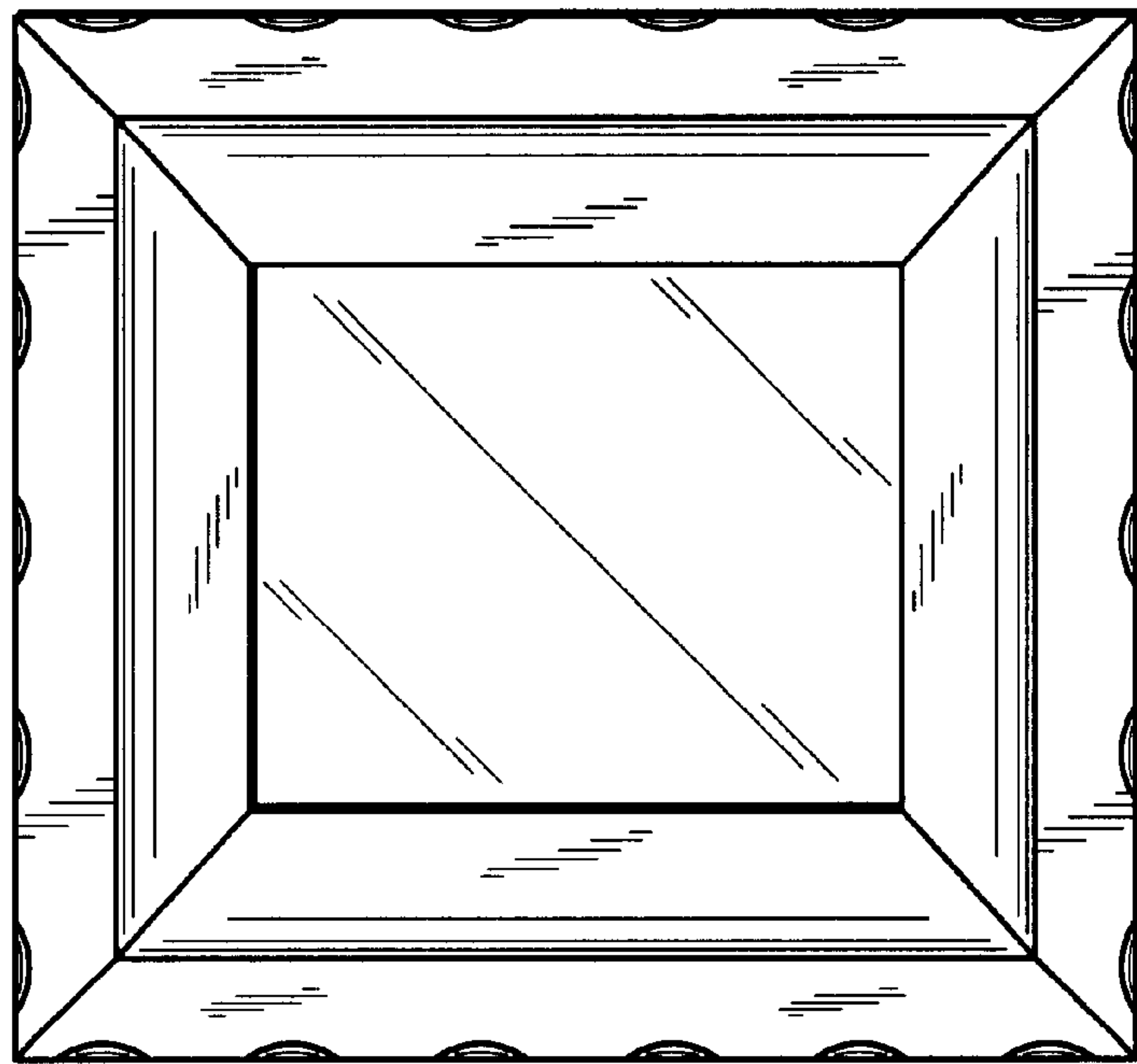


FIG. 9

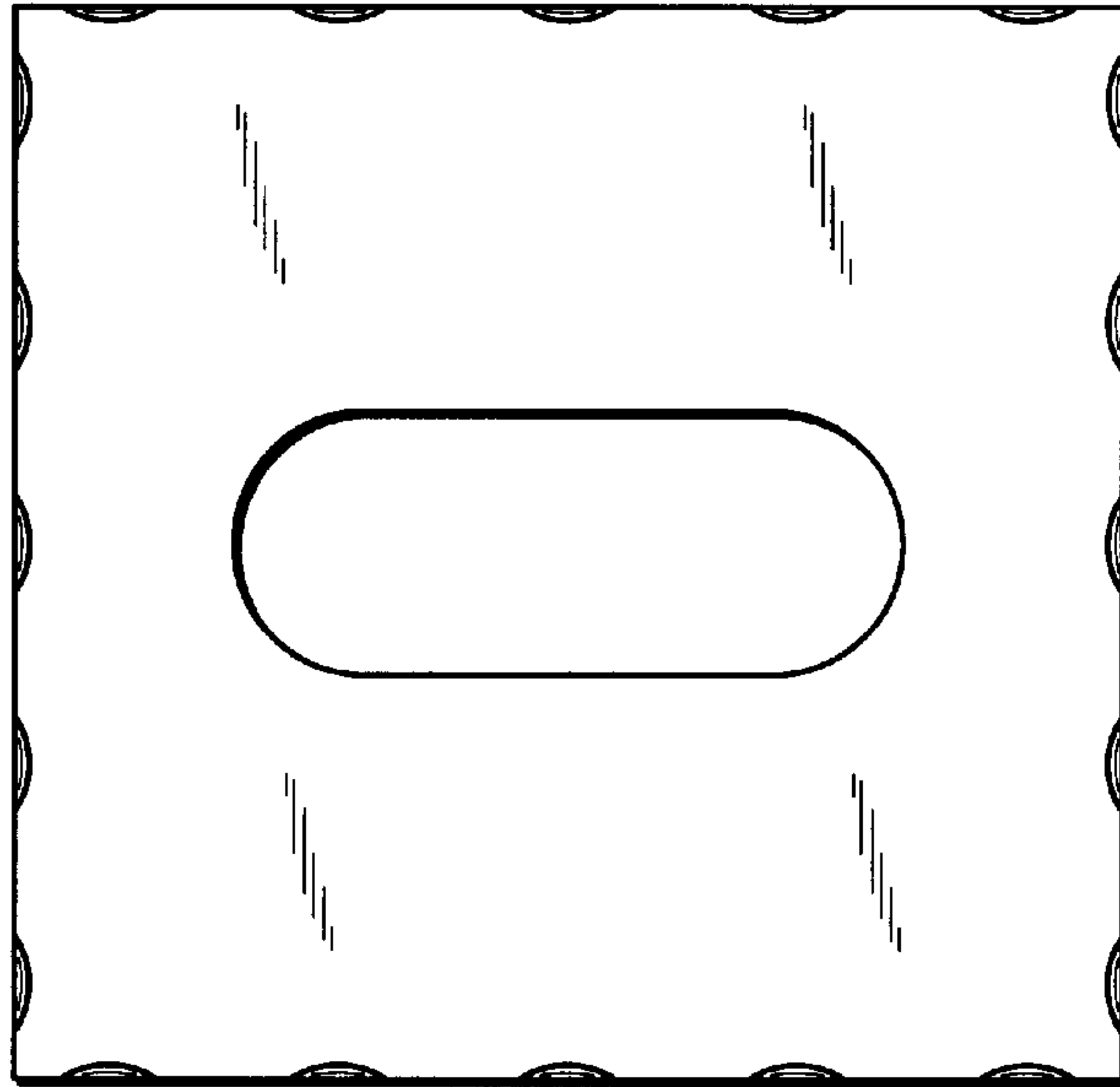


FIG. 10

