



US00D460644S

(12) **United States Design Patent**  
**Tsai**

(10) **Patent No.:** **US D460,644 S**

(45) **Date of Patent:** **\*\* Jul. 23, 2002**

(54) **CHAIR ARM**

(76) **Inventor:** **Sung-Tsun Tsai**, No. 126, Lane 375,  
Guangde Rd., Taiping City, Taichung  
(TW)

(\*\*) **Term:** **14 Years**

(21) **Appl. No.:** **29/148,243**

(22) **Filed:** **Sep. 18, 2001**

(51) **LOC (7) Cl.** ..... **06-06**

(52) **U.S. Cl.** ..... **D6/501; D6/366**

(58) **Field of Search** ..... D6/334, 364, 365,  
D6/366, 367, 379, 500, 501, 502; 297/411.2,  
411.28

(56) **References Cited**

**U.S. PATENT DOCUMENTS**

D382,737 S	*	8/1997	Pimental et al.	.....	D6/501
D388,269 S	*	12/1997	Tedesco et al.	.....	D6/501
D439,082 S	*	3/2001	Su	.....	D6/501
D447,320 S	*	9/2001	Ho	.....	D6/501

D449,173 S	*	10/2001	Chang	.....	D6/366
D451,319 S	*	12/2001	Chi	.....	D6/501
D451,321 S	*	12/2001	Chi	.....	D6/501

\* cited by examiner

*Primary Examiner*—Gary D. Watson

(74) *Attorney, Agent, or Firm*—Rosenberg, Klein & Lee

(57) **CLAIM**

The ornamental design for chair arm, as shown and described.

**DESCRIPTION**

FIG. 1 is a perspective view of chair arm showing my new design;

FIG. 2 is a front elevational view thereof;

FIG. 3 is a rear elevational view thereof;

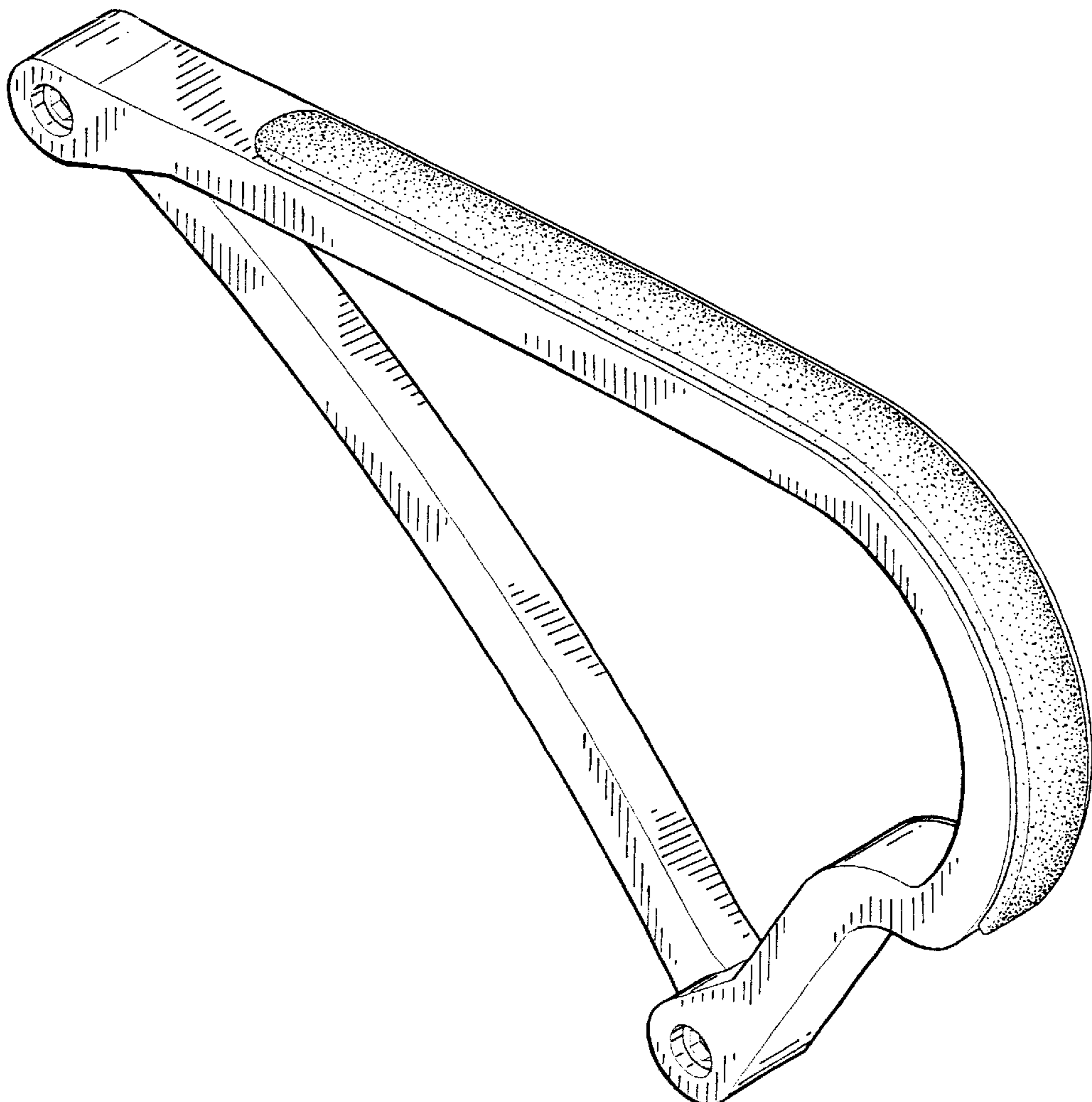
FIG. 4 is a left side elevational view thereof;

FIG. 5 is a right side elevational view thereof;

FIG. 6 is a top side elevational view thereof; and,

FIG. 7 is a bottom side elevational view thereof.

**1 Claim, 4 Drawing Sheets**



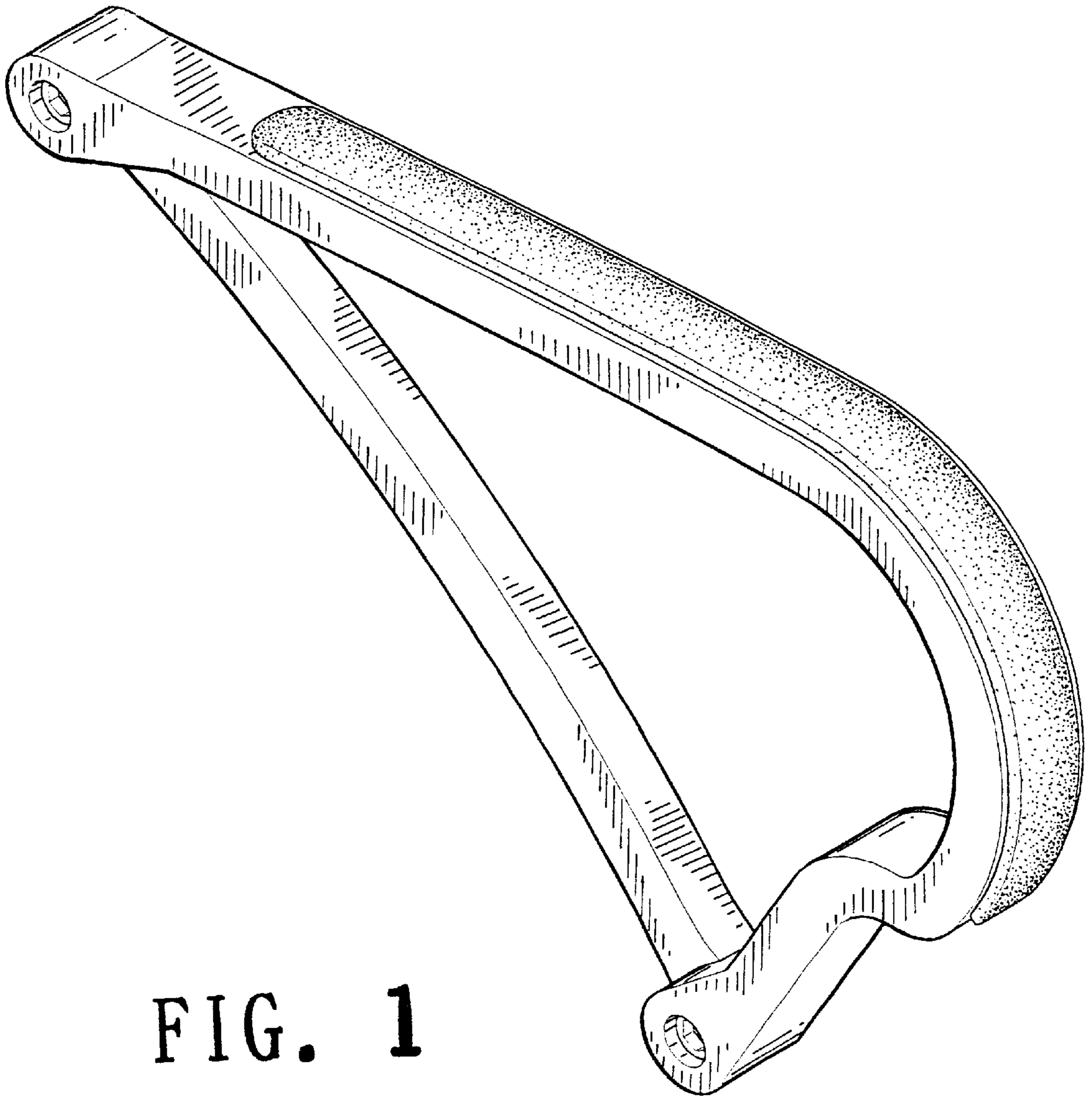


FIG. 1

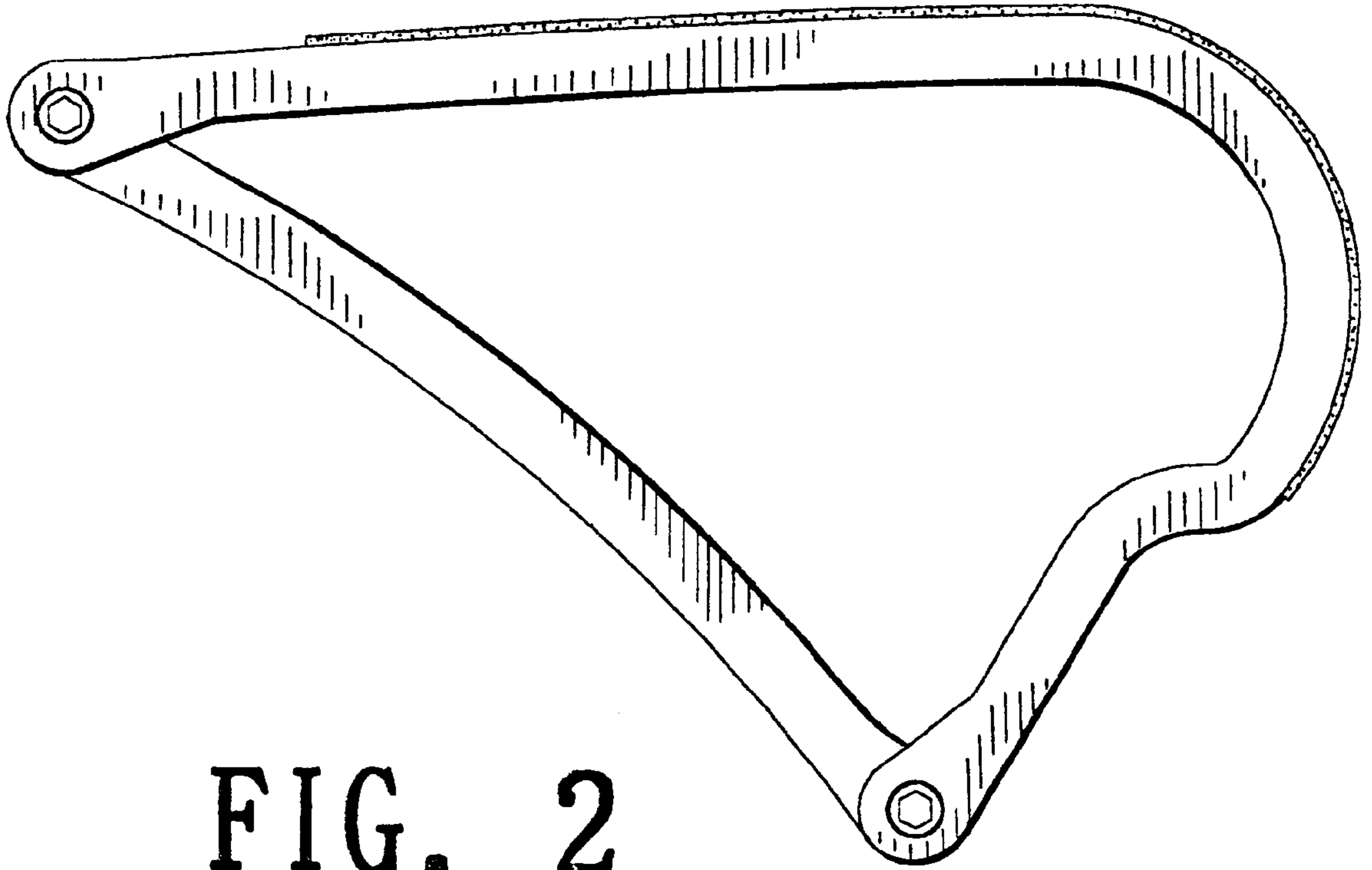


FIG. 2

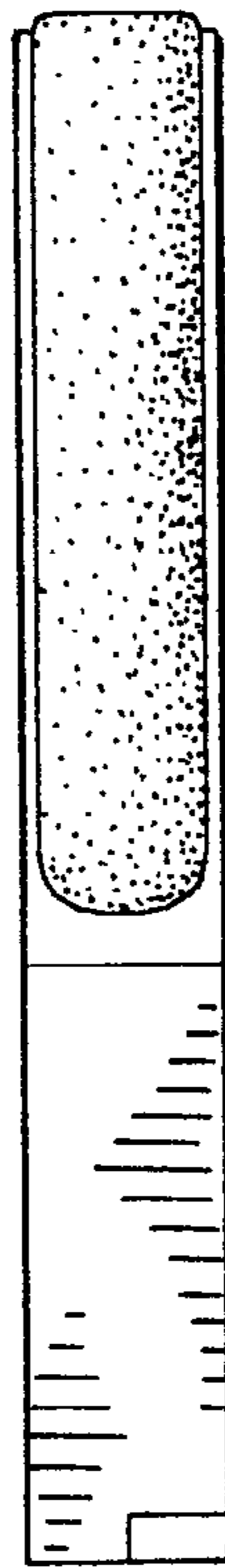


FIG. 5

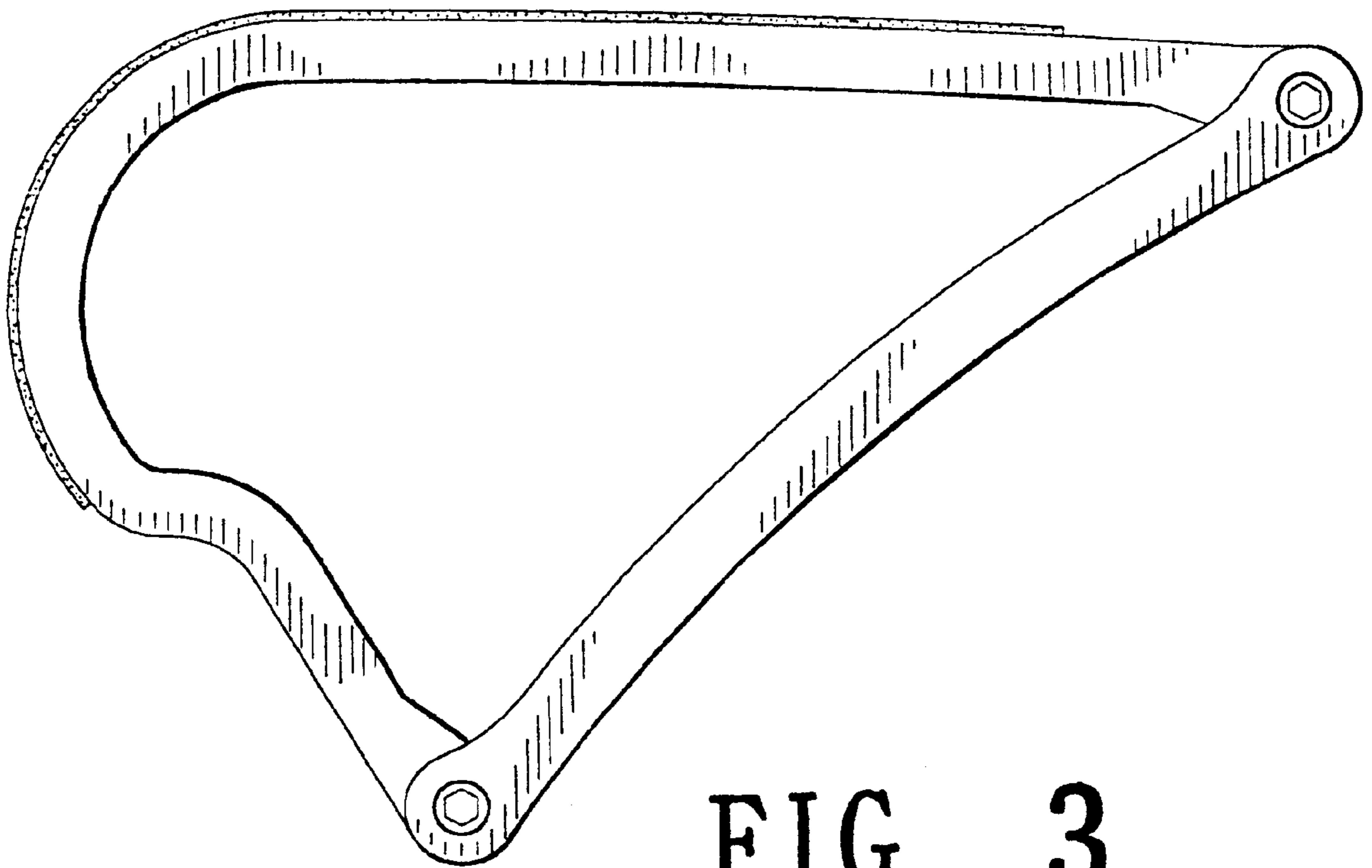


FIG. 3

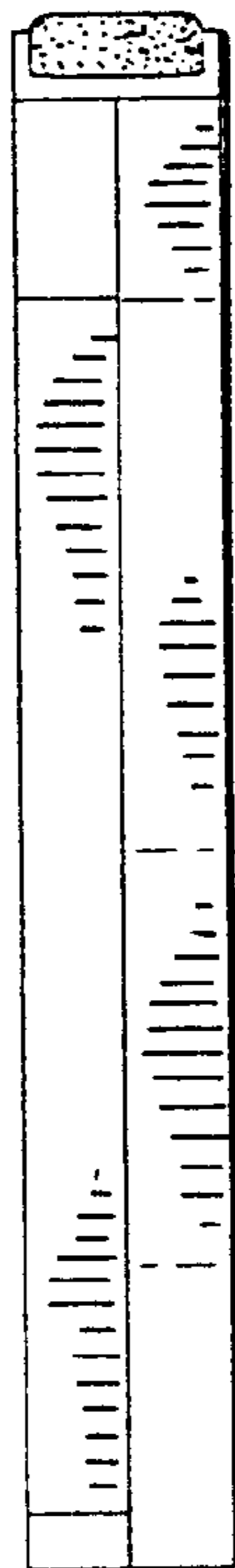


FIG. 4



FIG. 6

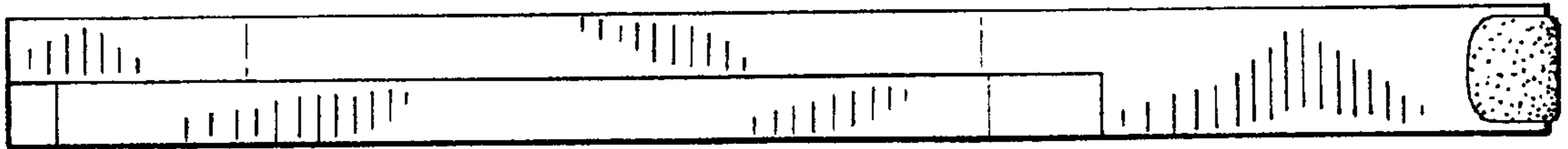


FIG. 7