



US00D460642S

(12) **United States Design Patent**
Tsao

(10) **Patent No.:** **US D460,642 S**

(45) **Date of Patent:** **** Jul. 23, 2002**

(54) **BEAUTY COUCH**

(76) **Inventor:** **Min-Hao Tsao**, 21F-3, No.21, Tien Hsiang 5th St., Tao Yuan City (TW)

(**) **Term:** **14 Years**

(21) **Appl. No.:** **29/141,590**

(22) **Filed:** **May 10, 2001**

(51) **LOC (7) Cl.** **06-06**

(52) **U.S. Cl.** **D6/500; D6/360; D6/367**

(58) **Field of Search** **D6/334, 335, 336, D6/360, 361, 367, 500-502; 297/68, 354.13, 423.19, 423.25; 601/97-99; 5/616, 617, 618**

(56) **References Cited**

U.S. PATENT DOCUMENTS

4,376,316	A	*	3/1983	Mercier et al.	5/618
D405,284	S	*	2/1999	Van Den Heuvel	D6/367
D432,804	S	*	10/2000	Mizelle et al.	D6/360
6,135,554	A	*	10/2000	Tsun et al.	297/68
6,336,235	B1	*	1/2002	Ruehl	5/610

* cited by examiner

Primary Examiner—Doris V. Coles

Assistant Examiner—Mimosa De

(74) *Attorney, Agent, or Firm*—Birch, Stewart, Kolasch & Birch, LLP

(57) **CLAIM**

The ornamental design for a beauty couch, as shown and described.

DESCRIPTION

FIG. 1 is a perspective view of a beauty couch showing my new design;

FIG. 2 is a front elevation view thereof;

FIG. 3 is a rear elevation view thereof;

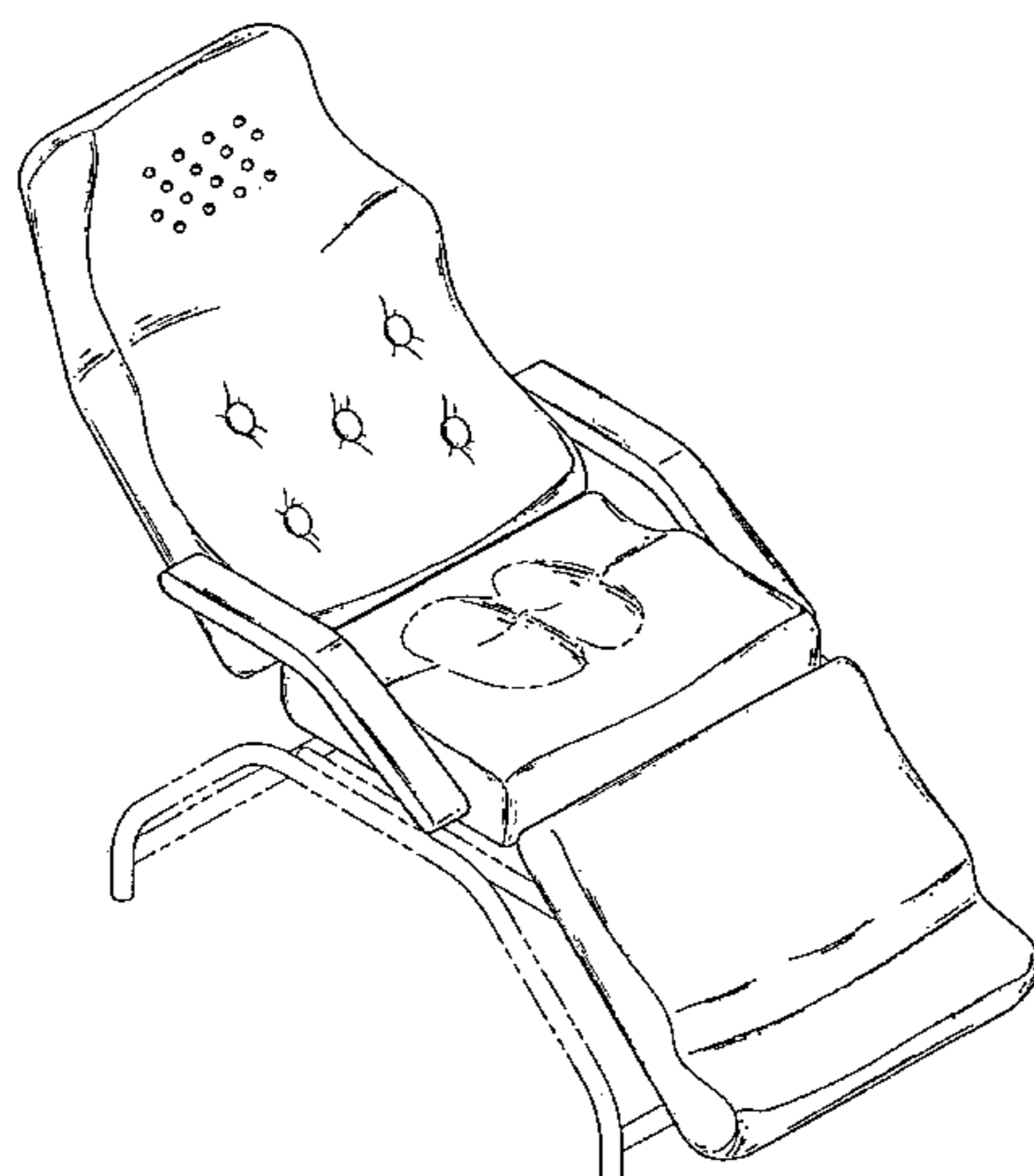
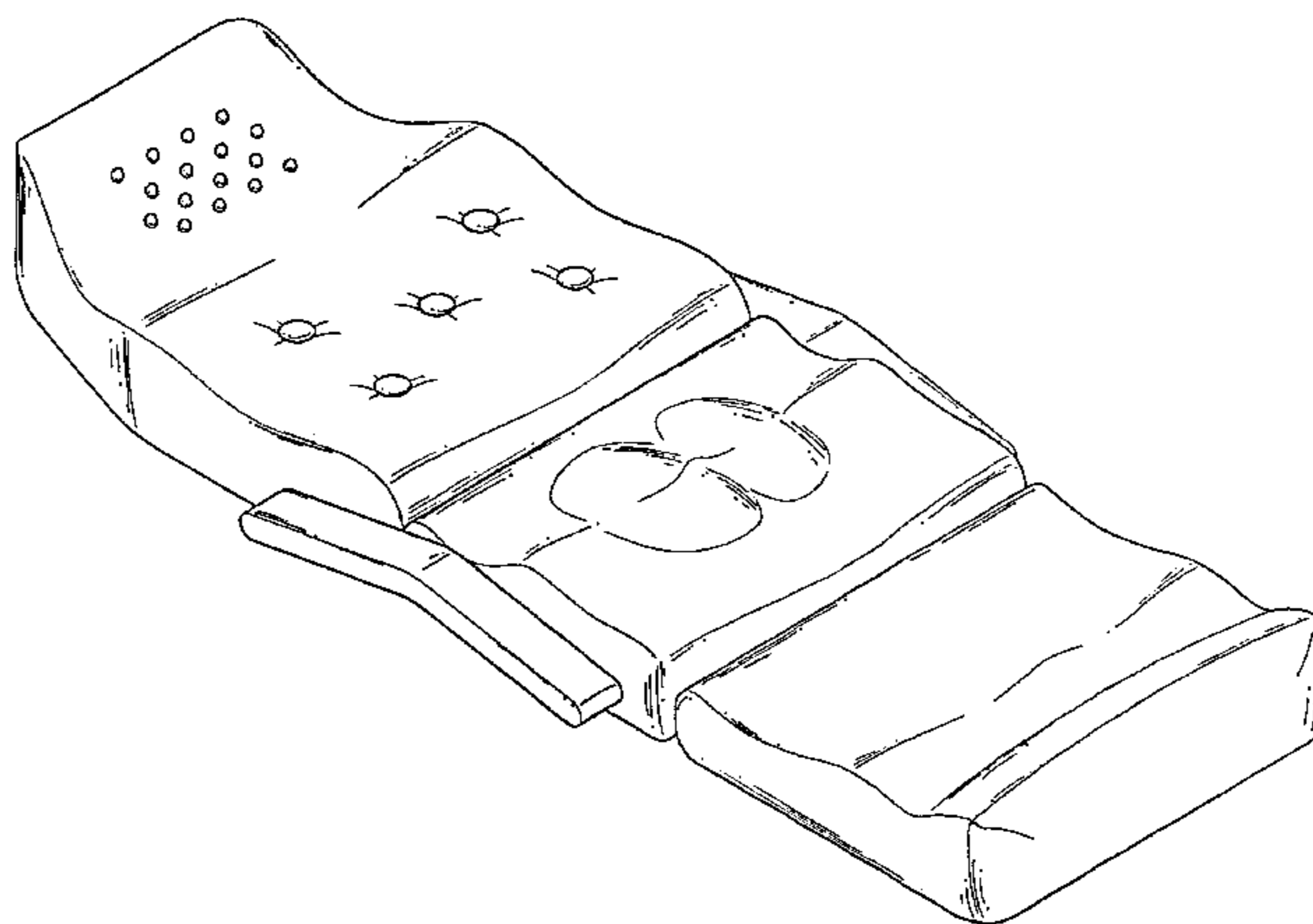
FIG. 4 is a left side elevation view thereof; the right side elevation view is symmetrical to the right side elevation view;

FIG. 5 is a top plan view thereof;

FIG. 6 is a bottom plan view thereof; and,

FIG. 7 is a perspective view in use. The broken line showing of the base is for illustrative purposes only and forms no part of the claimed design.

1 Claim, 6 Drawing Sheets



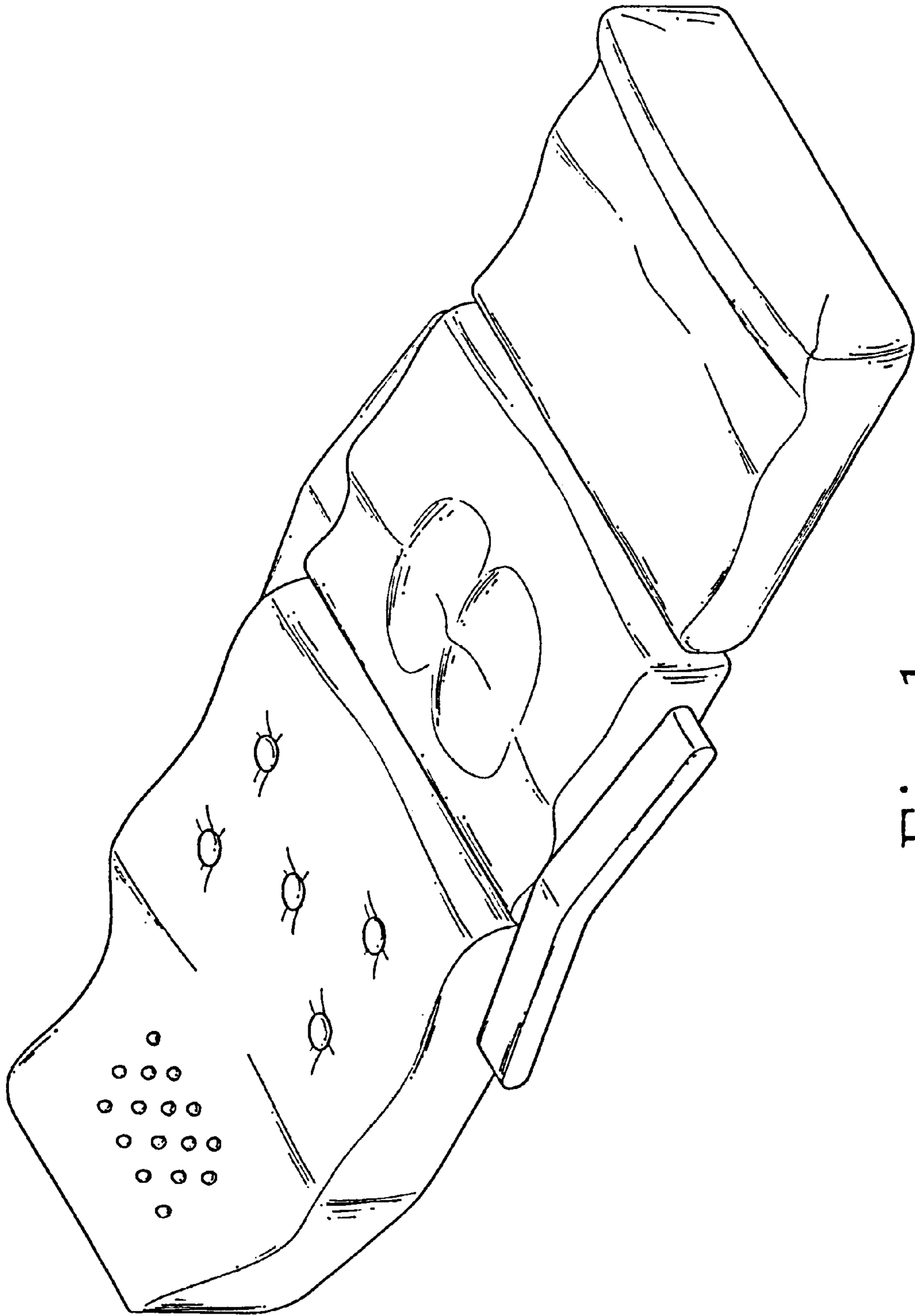


Fig. 1

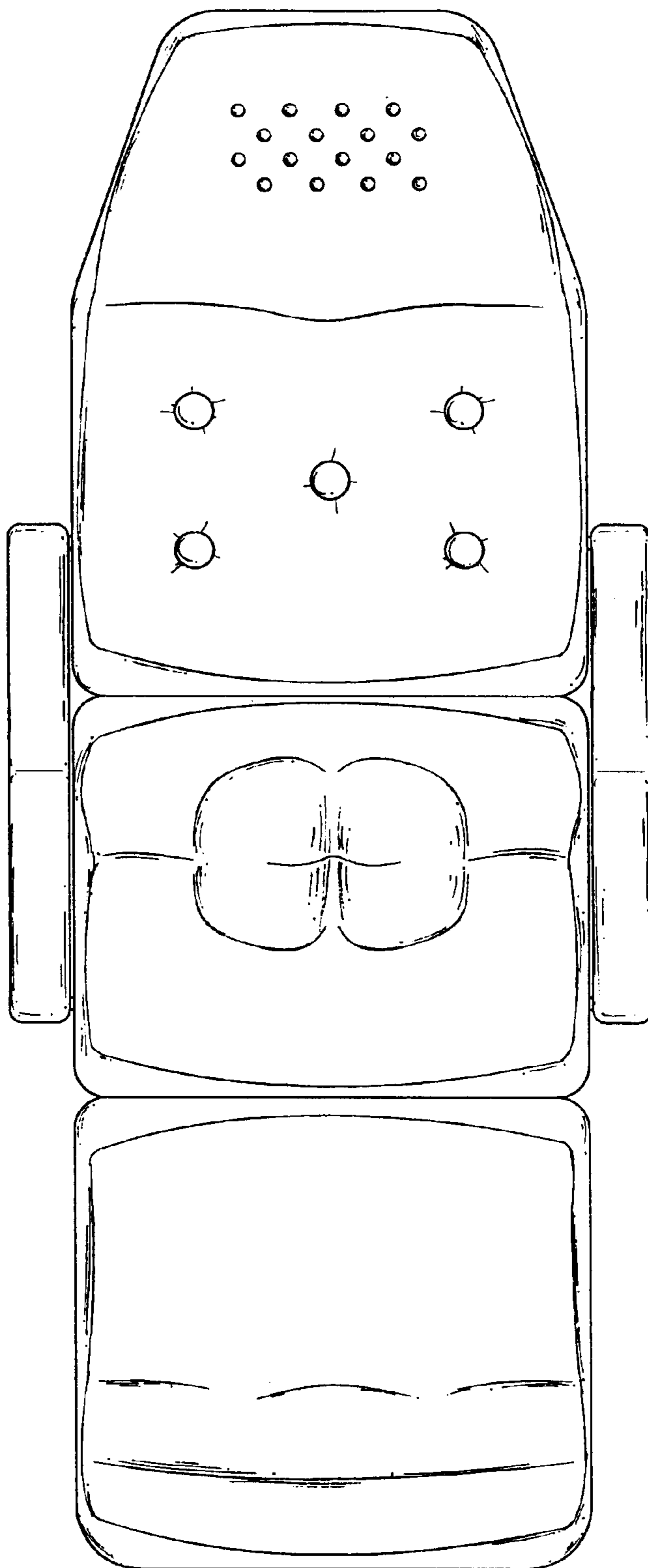


Fig. 2

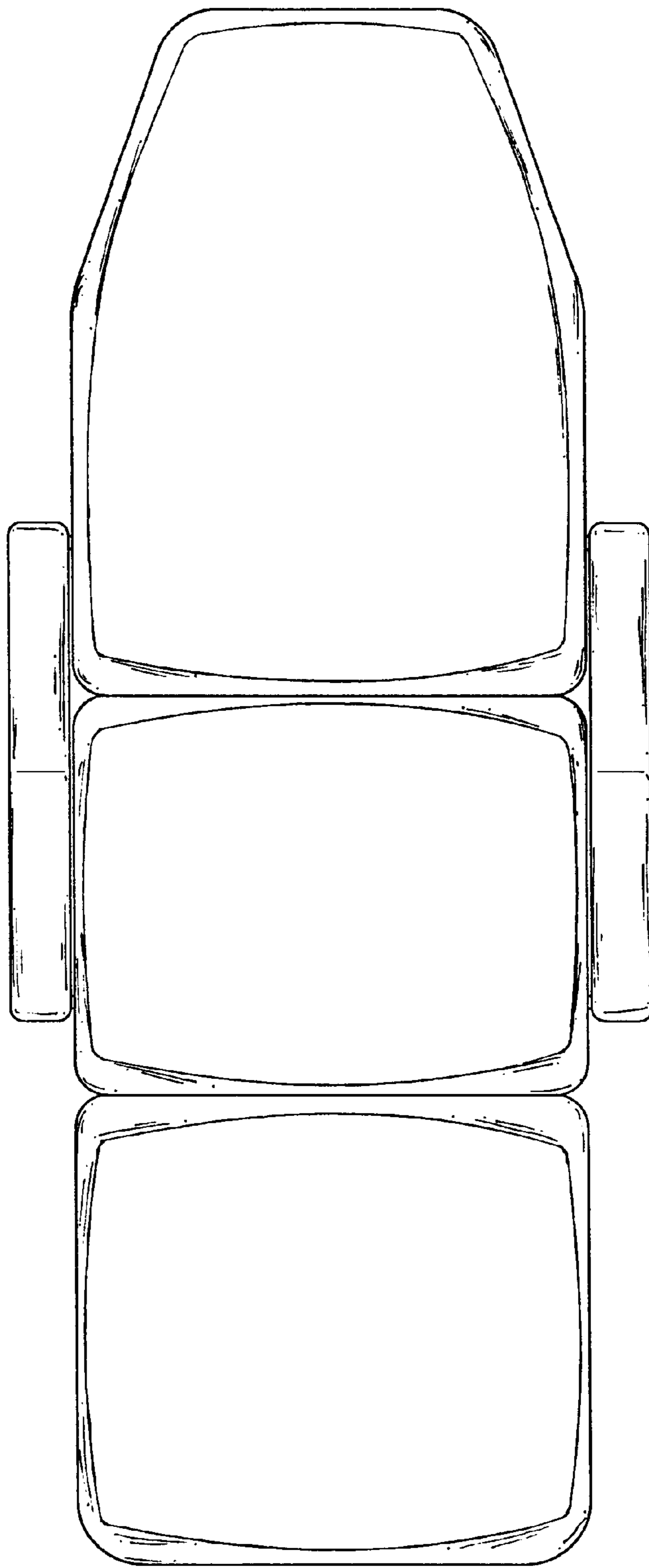


Fig. 3

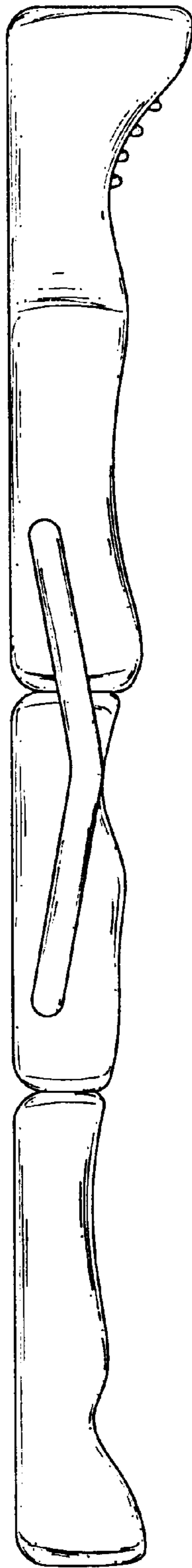


Fig. 4

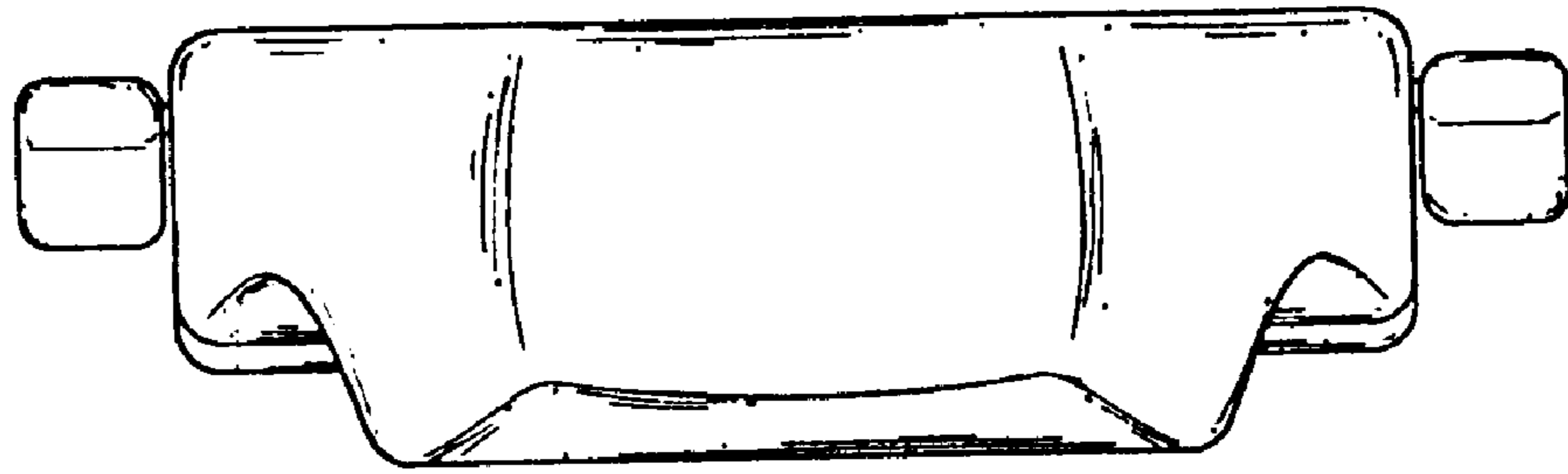


Fig. 5

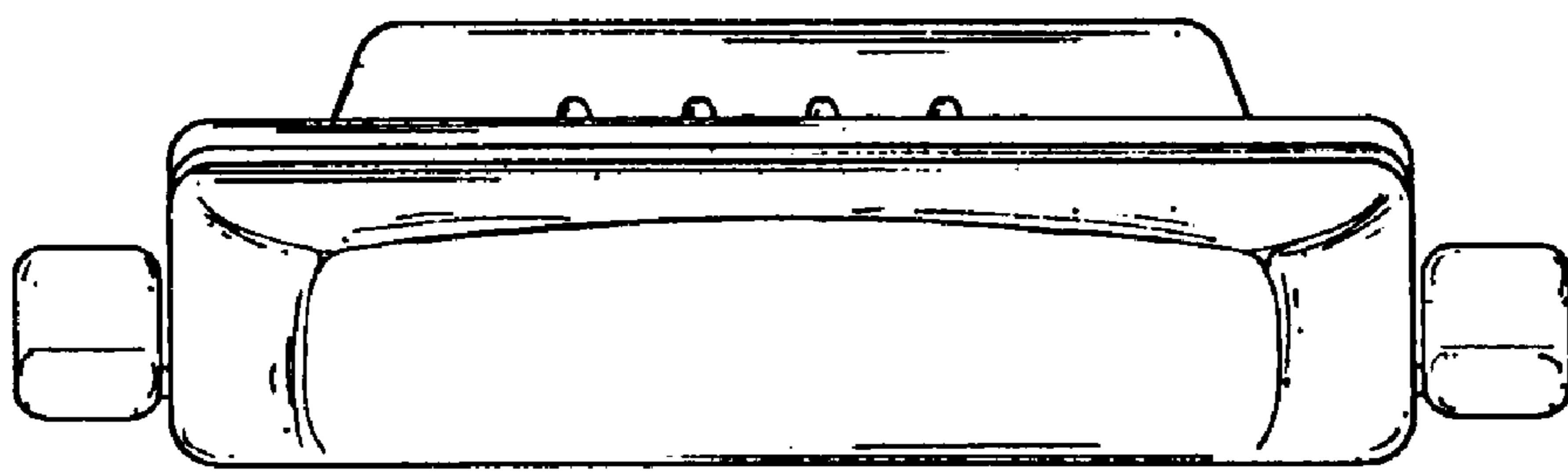


Fig. 6

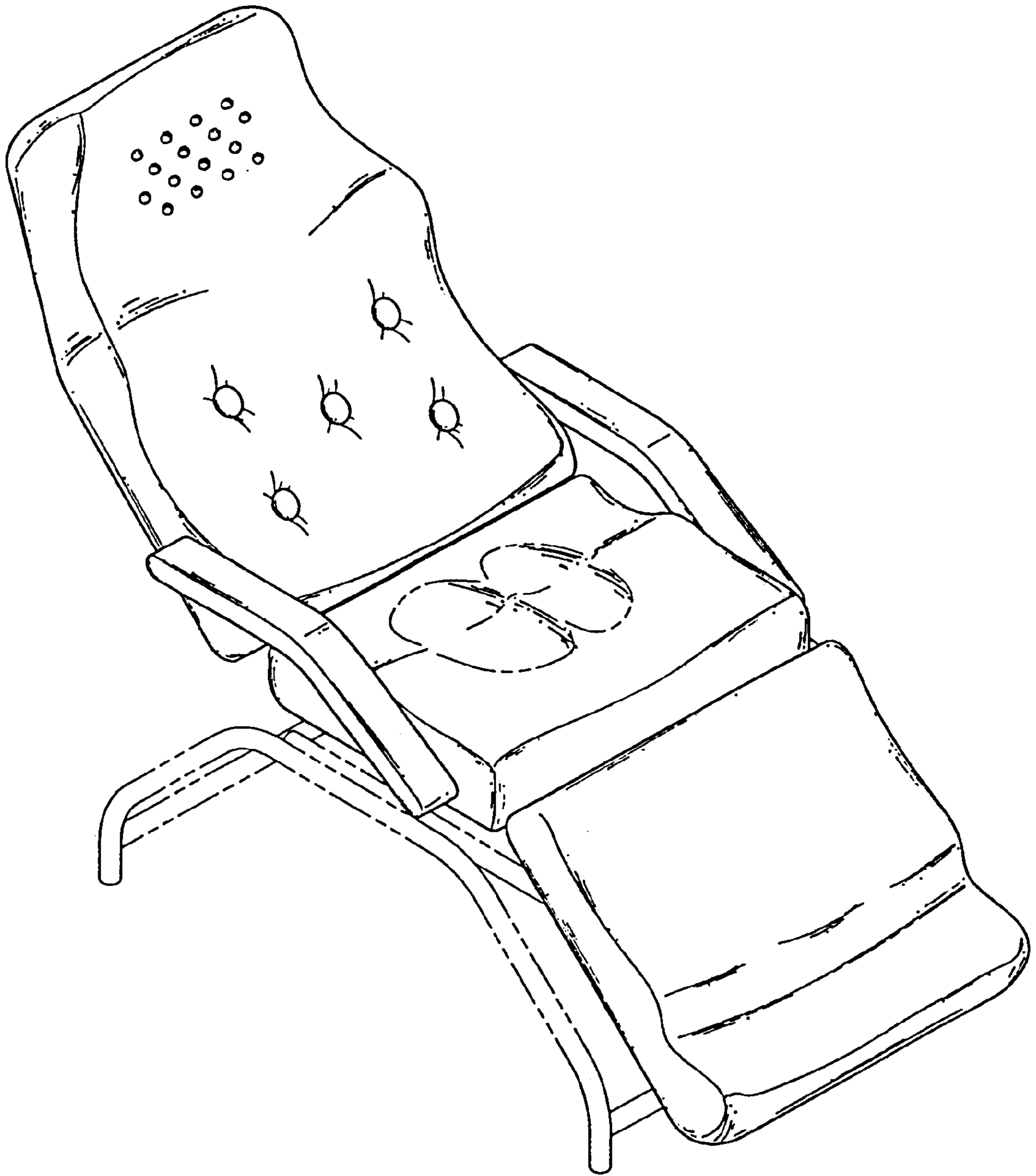


Fig. 7