



US00D460639S

(12) **United States Design Patent**  
**Crinion**

(10) **Patent No.:** **US D460,639 S**

(45) **Date of Patent:** **\*\* Jul. 23, 2002**

(54) **PLATEAU TABLE**

(75) Inventor: **Jonathan Crinion**, Toronto (CA)

(73) Assignee: **Incrion Limited-Asset "A" Design Division**, Limassol (CY)

(\*\*) Term: **14 Years**

(21) Appl. No.: **29/140,134**

(22) Filed: **Apr. 13, 2001**

(30) **Foreign Application Priority Data**

Oct. 17, 2000 (CA) ..... 2000-2790

(51) **LOC (7) Cl.** ..... **06-03**

(52) **U.S. Cl.** ..... **D6/480**

(58) **Field of Search** ..... D6/480-489, 495-499;  
108/151.1, 153.1, 155, 156, 157, 161, 50.01,  
50.02, 149; 248/188, 188.1, 188.8; 312/208.1,  
208.2

(56) **References Cited**

**U.S. PATENT DOCUMENTS**

- D345,476 S \* 3/1994 Burdick et al. .... D6/495
- D379,887 S \* 6/1997 Muller-Deisig et al. .... D6/484
- D435,368 S \* 12/2000 Tzeng ..... D6/480
- 6,283,043 B1 \* 9/2001 Stern et al. .... 108/50.02

\* cited by examiner

*Primary Examiner*—Janice E. Seeger

(57) **CLAIM**

The ornamental design for a plateau table, as shown.

**DESCRIPTION**

FIG. 1 is a top view of the plateau table;  
FIG. 2 is an end view of the plateau table;  
FIG. 3 is a side view of the plateau table;  
FIG. 4 is a bottom view of the plateau table; and,  
FIG. 5 is a perspective view thereof.

**1 Claim, 4 Drawing Sheets**

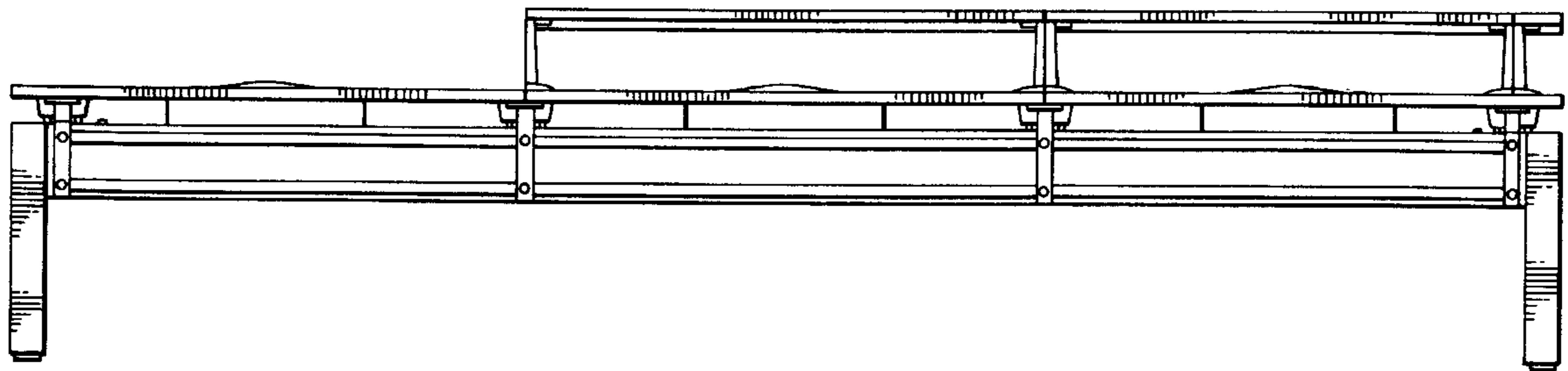
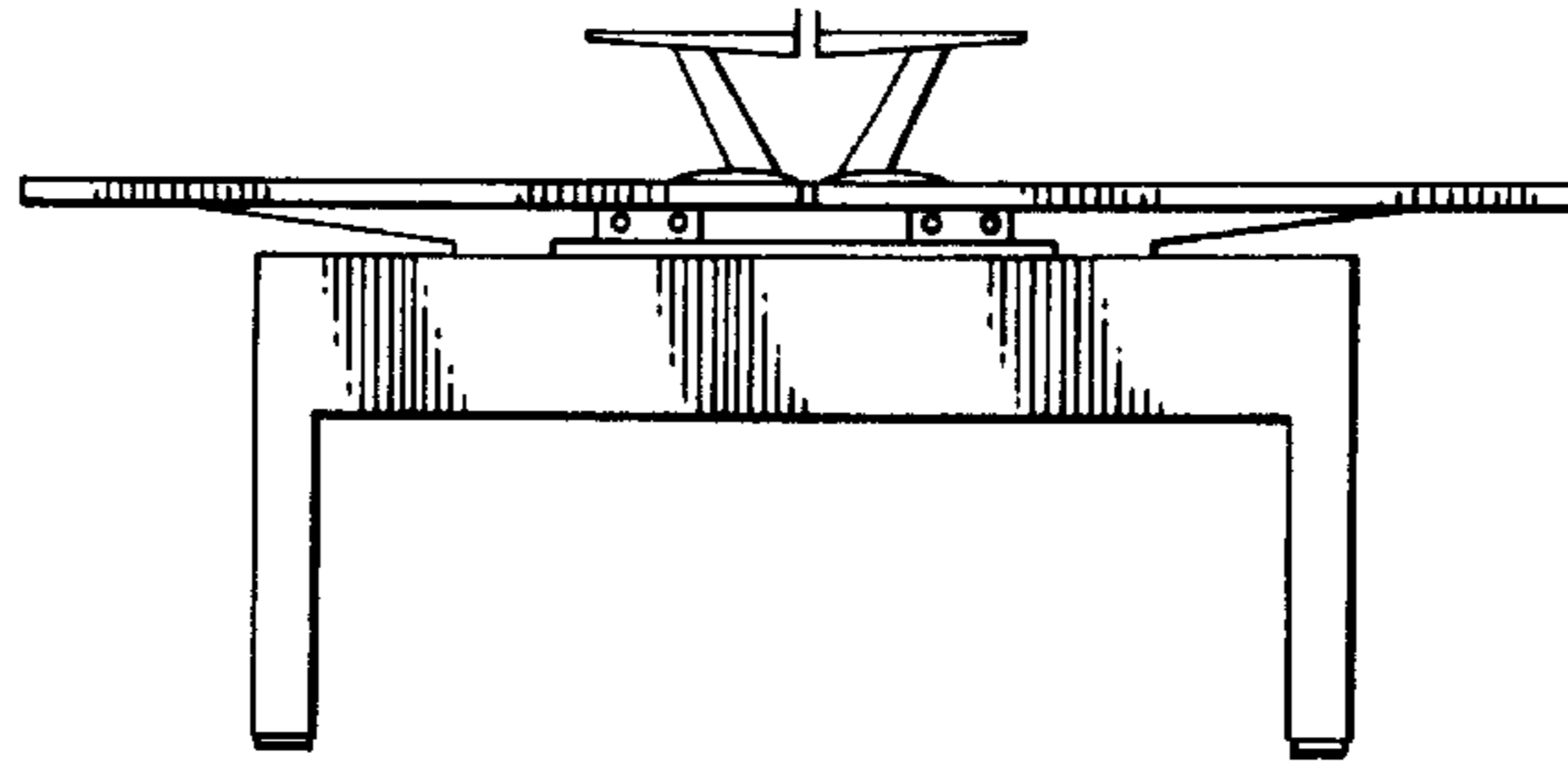
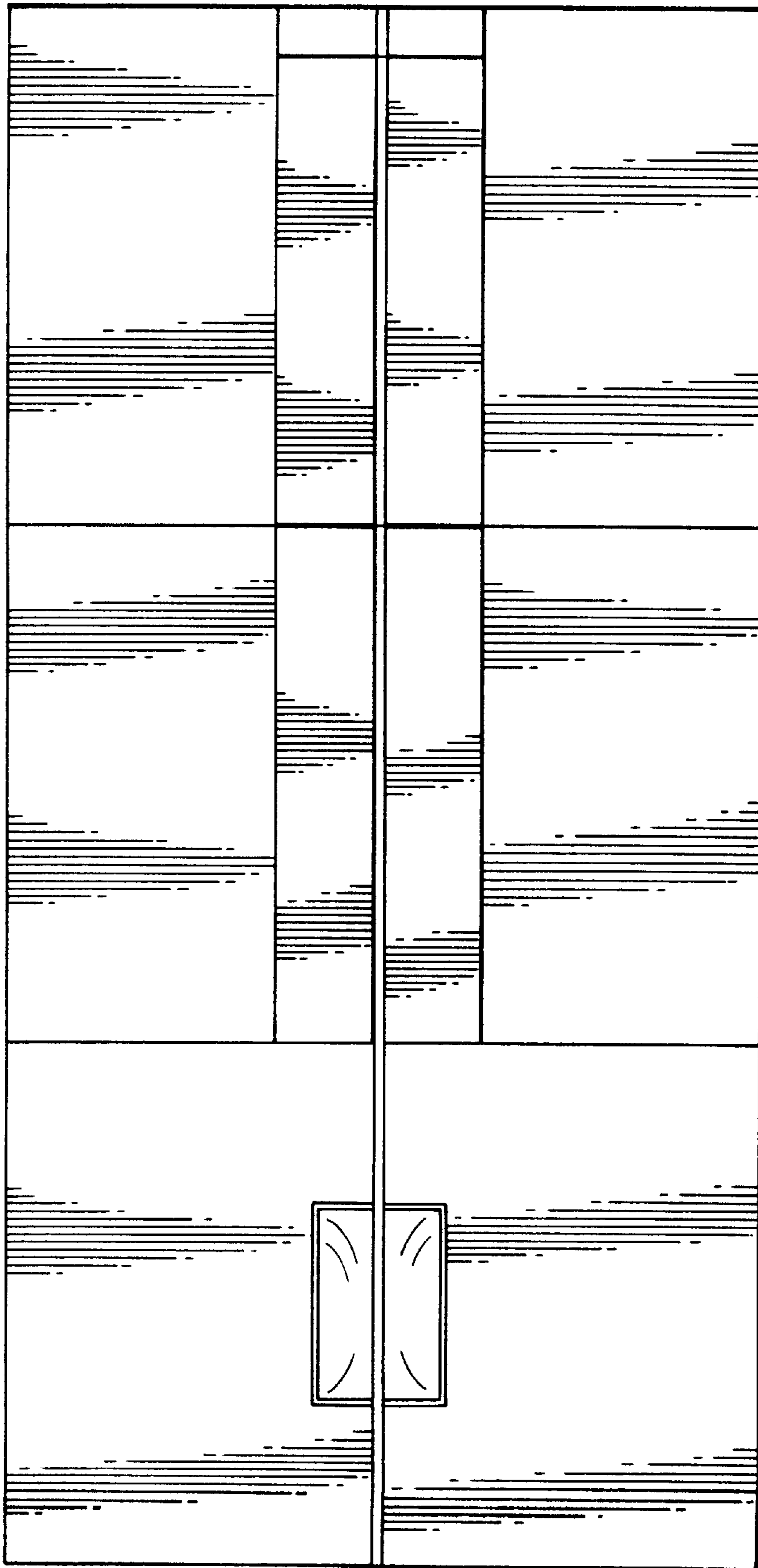


FIG. 1.



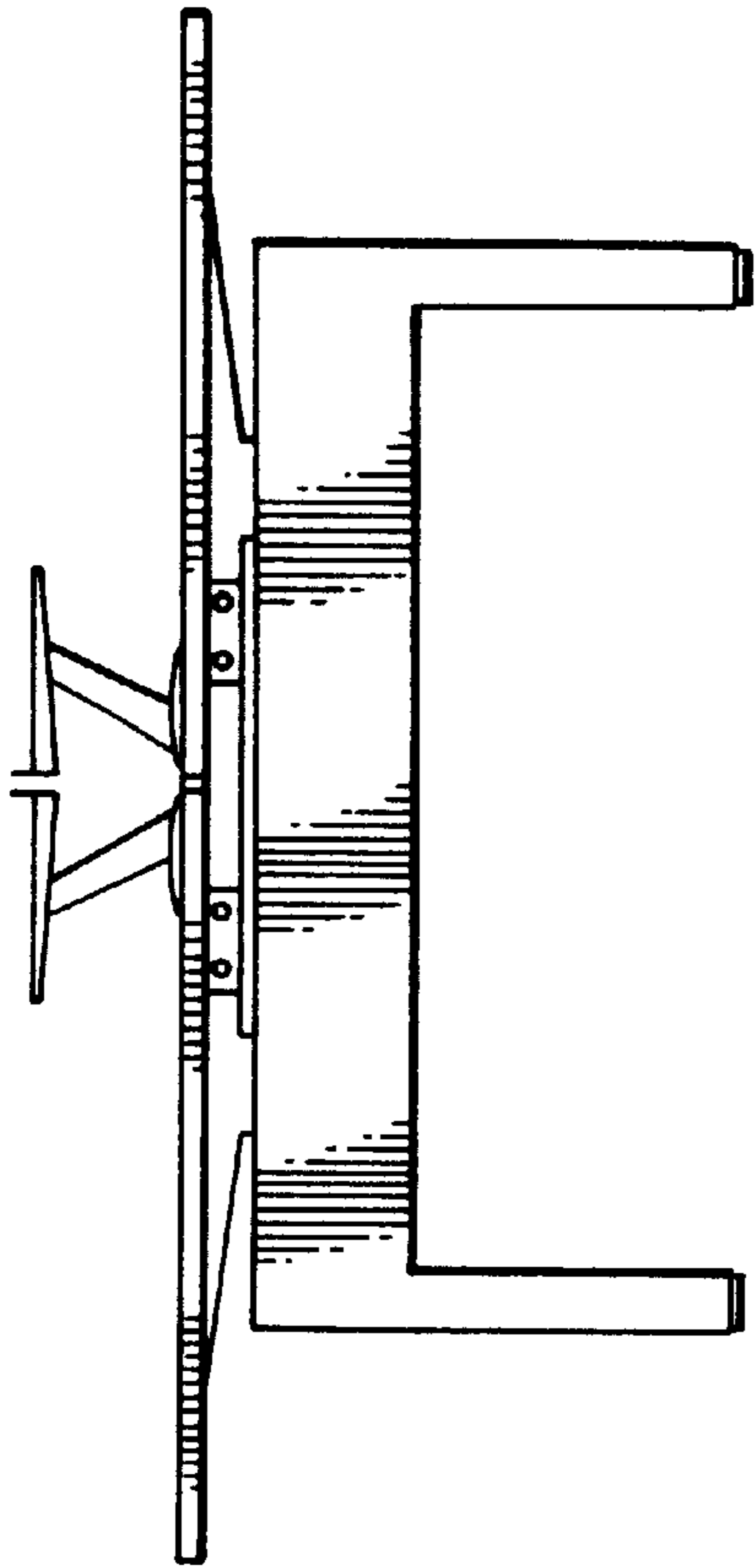


FIG. 2.

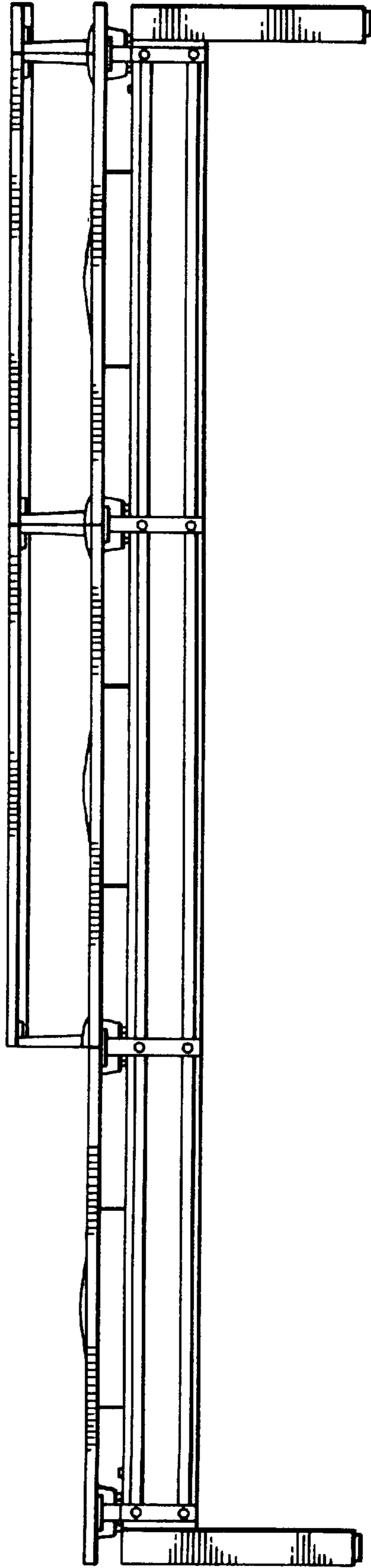


FIG. 3.

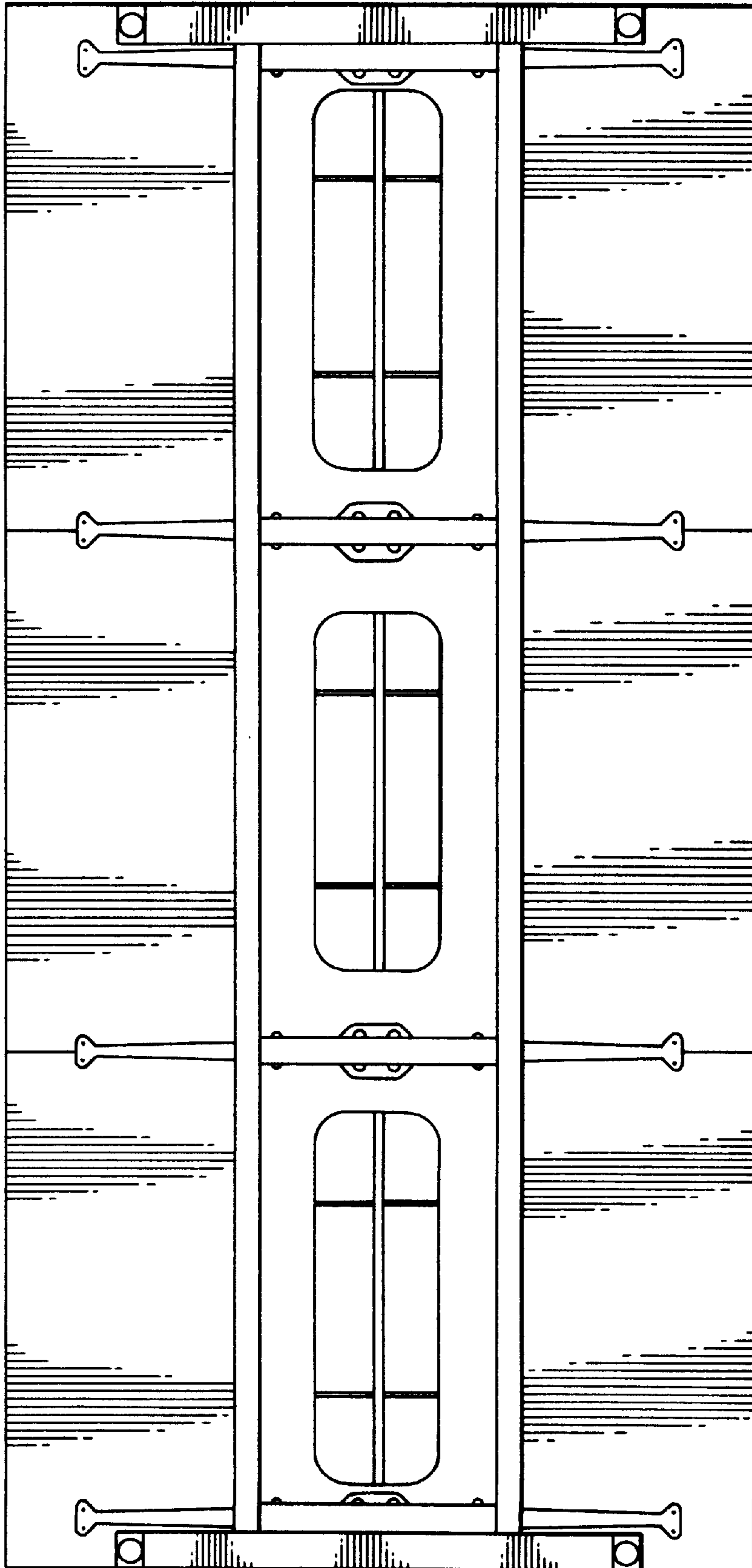


FIG. 4.

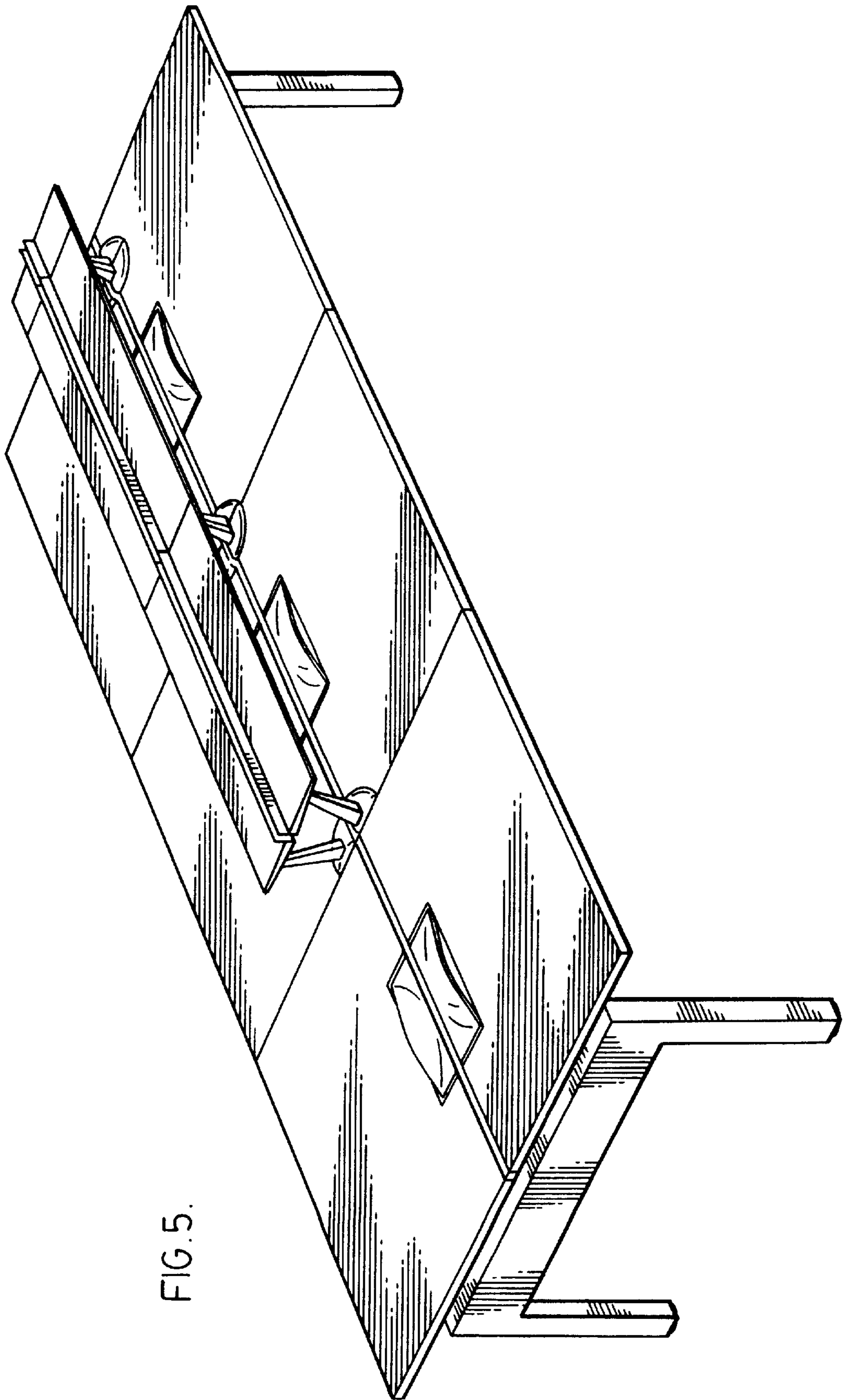


FIG. 5.