



US00D460635S

(12) **United States Design Patent**
Lieberman et al.

(10) **Patent No.: US D460,635 S**

(45) **Date of Patent: ** Jul. 23, 2002**

- (54) **CHILD'S PLAY CONSOLE**
- (75) Inventors: **Kelly Lieberman**, Overland Park; **John Hoy**, Olpe, both of KS (US)
- (73) Assignee: **Hopkins Manufacturing Corporation**, Emporia, KS (US)
- (**) Term: **14 Years**
- (21) Appl. No.: **29/130,416**
- (22) Filed: **Oct. 2, 2000**

5,676,240 A	10/1997	Cziraky et al.	
5,680,973 A	10/1997	Vulpitta et al.	
5,876,007 A *	3/1999	Lancaster et al.	248/311.2
D410,620 S *	6/1999	Sacco et al.	D12/415
D416,447 S *	11/1999	Levy et al.	D7/605
5,979,337 A	11/1999	Clark et al.	
D418,327 S *	1/2000	Sullins et al.	D6/406.3
6,015,198 A	1/2000	Stair	
6,050,200 A	4/2000	Sullivans et al.	
6,138,831 A *	10/2000	Agostinelli	206/217
D434,721 S *	12/2000	Lieberman	D12/419
D438,029 S *	2/2001	Brey et al.	D6/406.3
RE37,239 E *	6/2001	Eisenberg	108/43

- (51) **LOC (7) Cl.** **06-06**
- (52) **U.S. Cl.** **D6/406.3; D12/419**
- (58) **Field of Search** D6/406.3, 406.6; D3/905; D7/553.3, 553.4, 553.5, 619, 605, 620, 701, 708; D12/415, 419, 423, 424, 425, 426.1; 248/311.2; 296/37.1, 37.6, 37.7, 37.8, 37.13, 37.14, 37.15, 37.16; 224/42.11, 42.24, 42.25, 275, 277, 400; 108/43, 44, 45, 46, 132, 147; 206/217

* cited by examiner

Primary Examiner—Doris V. Coles
Assistant Examiner—T. Chase Nelson
(74) *Attorney, Agent, or Firm*—Hovey Williams LLP

(57) **CLAIM**

The ornamental design for a child's play console, as shown and described.

DESCRIPTION

FIG. 1 is a top back perspective view of a child's play console constructed in accordance with a preferred embodiment of the present invention;

FIG. 2 is a left side view of a child's play console constructed in accordance with a preferred embodiment of the present invention, with the right side view of the console being a mirror image thereof;

FIG. 3 is a top view of a child's play console constructed in accordance with a preferred embodiment of the present invention;

FIG. 4 is a back view of a child's play console constructed in accordance with a preferred embodiment of the present invention;

FIG. 5 is a front view of a child's play console constructed in accordance with a preferred embodiment of the present invention; and,

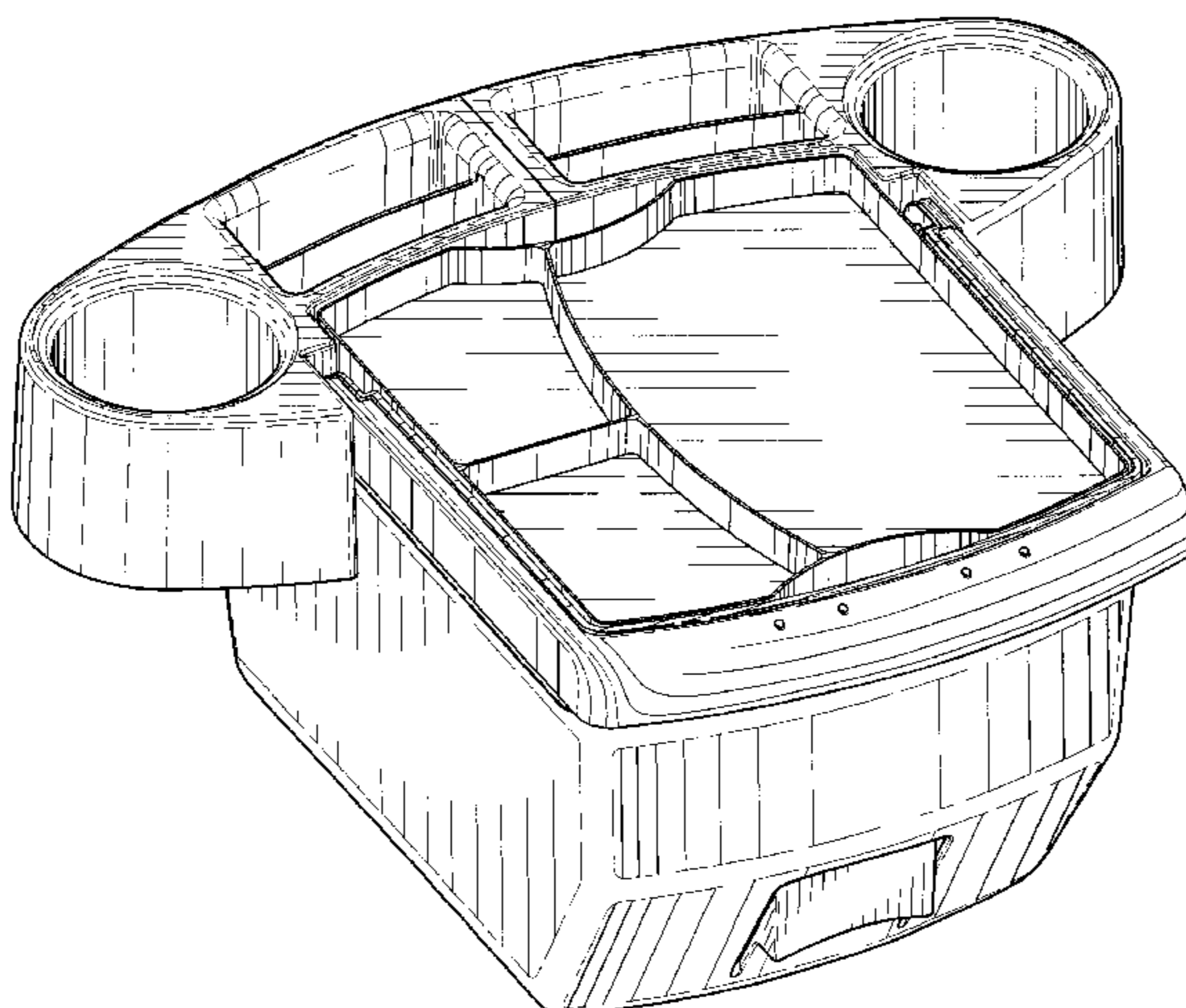
FIG. 6 is a bottom view of a child's play console constructed in accordance with a preferred embodiment of the present invention.

(56) **References Cited**

U.S. PATENT DOCUMENTS

D175,004 S *	6/1955	Alley	D6/406.3
D228,972 S *	10/1973	Bealer	D7/701
D232,870 S *	9/1974	Fry	D12/419
D280,216 S *	8/1985	Boklund	D6/406.3
D295,483 S *	5/1988	Tarozzi et al.	D7/605
4,754,883 A *	7/1988	Grzyrna	224/400
4,795,210 A	1/1989	Milat	
D304,263 S *	10/1989	Mull	D12/419
4,928,865 A	5/1990	Lorence et al.	
4,940,003 A	7/1990	Mayhew et al.	
D323,932 S *	2/1992	Hudgens	D12/419
D331,330 S *	12/1992	Bennett et al.	D6/406.3
D332,527 S *	1/1993	Szablak et al.	D12/424
5,338,081 A *	8/1994	Young et al.	296/37.14
D351,585 S *	10/1994	Scheurer	D12/427
D353,276 S *	12/1994	Foran et al.	D6/406.3
5,377,085 A	12/1994	Hermann et al.	
5,460,102 A	10/1995	Pasmanick	
D377,273 S *	1/1997	Amos	D6/406.3
5,598,786 A	2/1997	Patterson	
5,628,438 A	5/1997	Legrow	

1 Claim, 3 Drawing Sheets



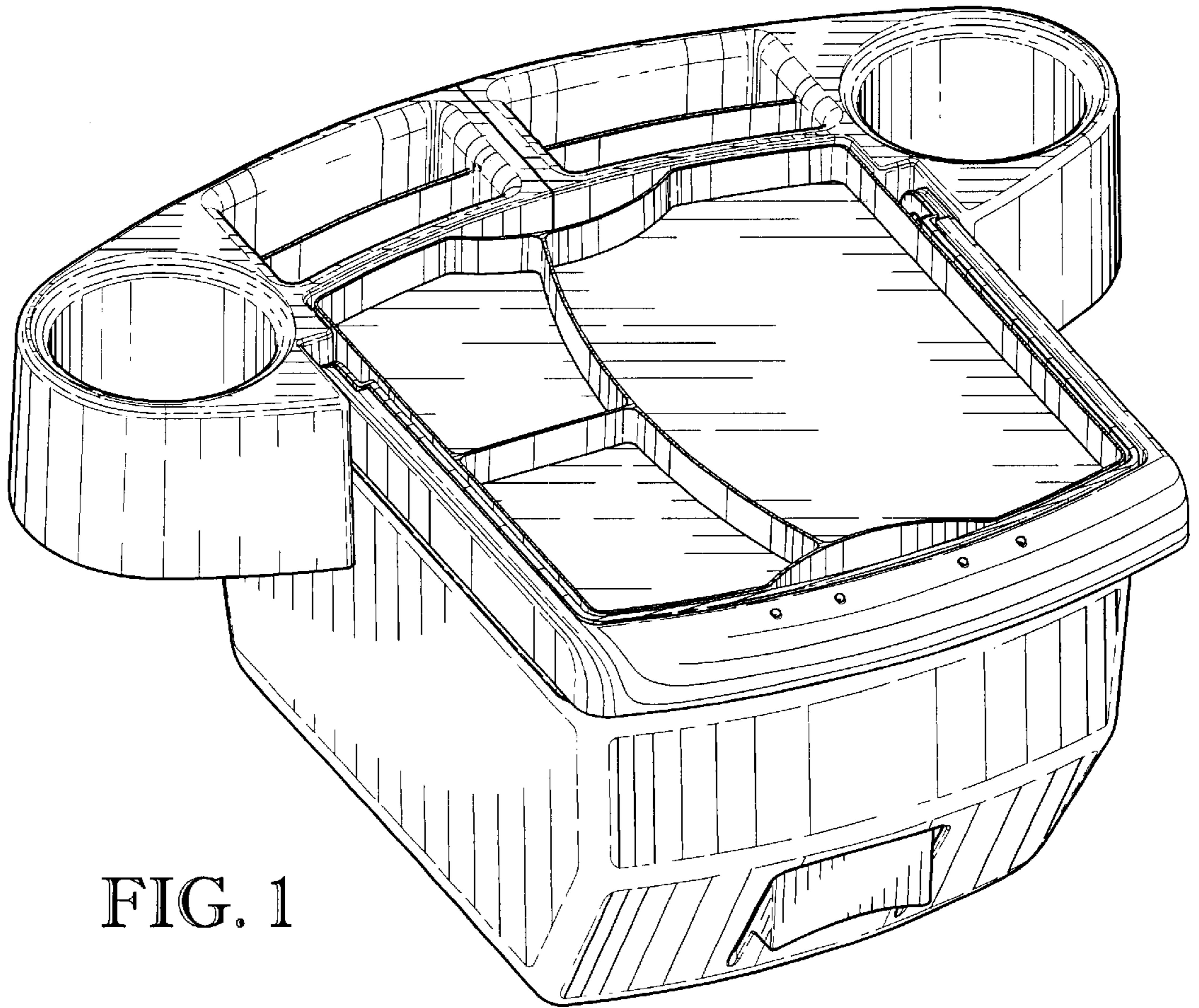


FIG. 1

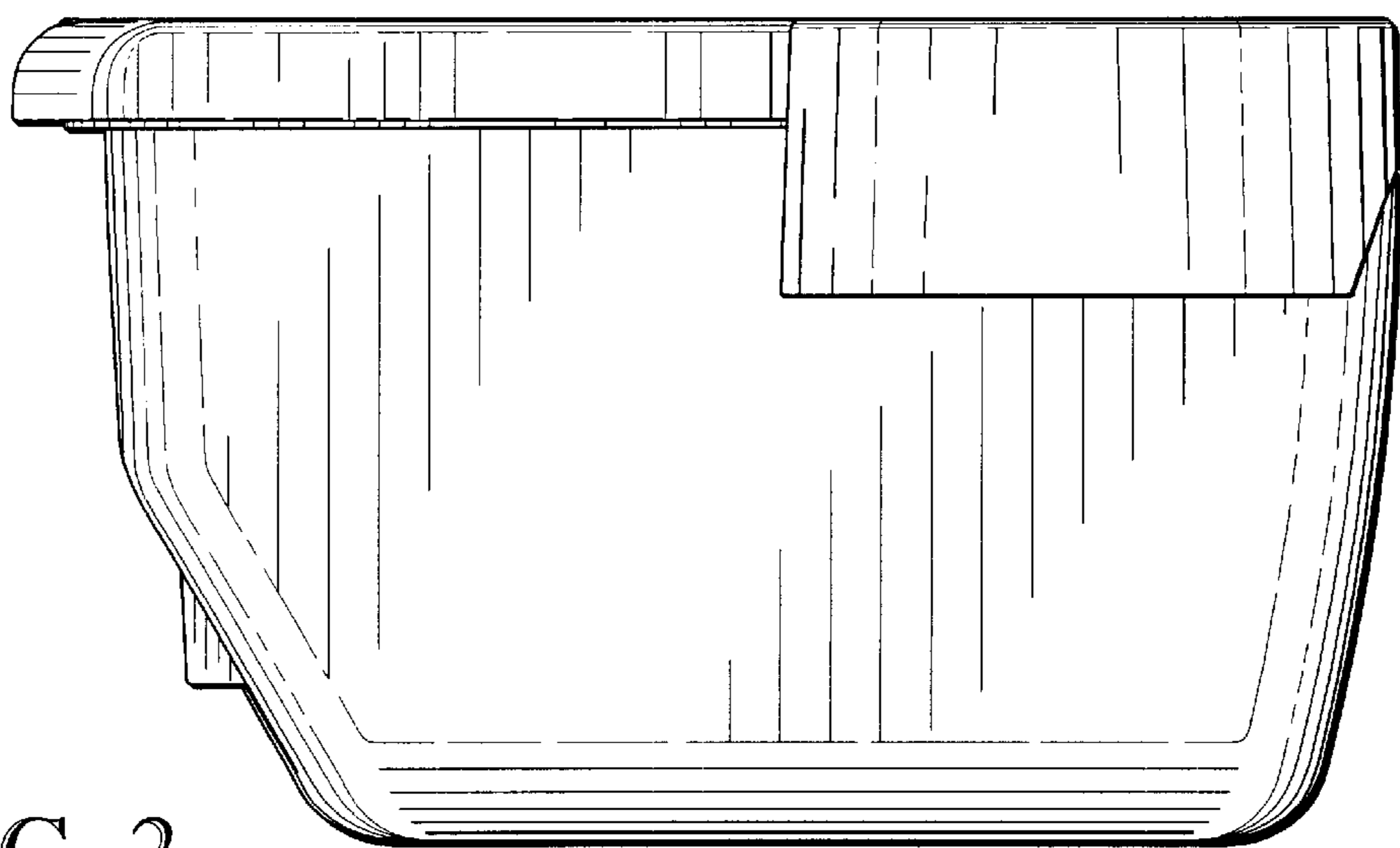


FIG. 2

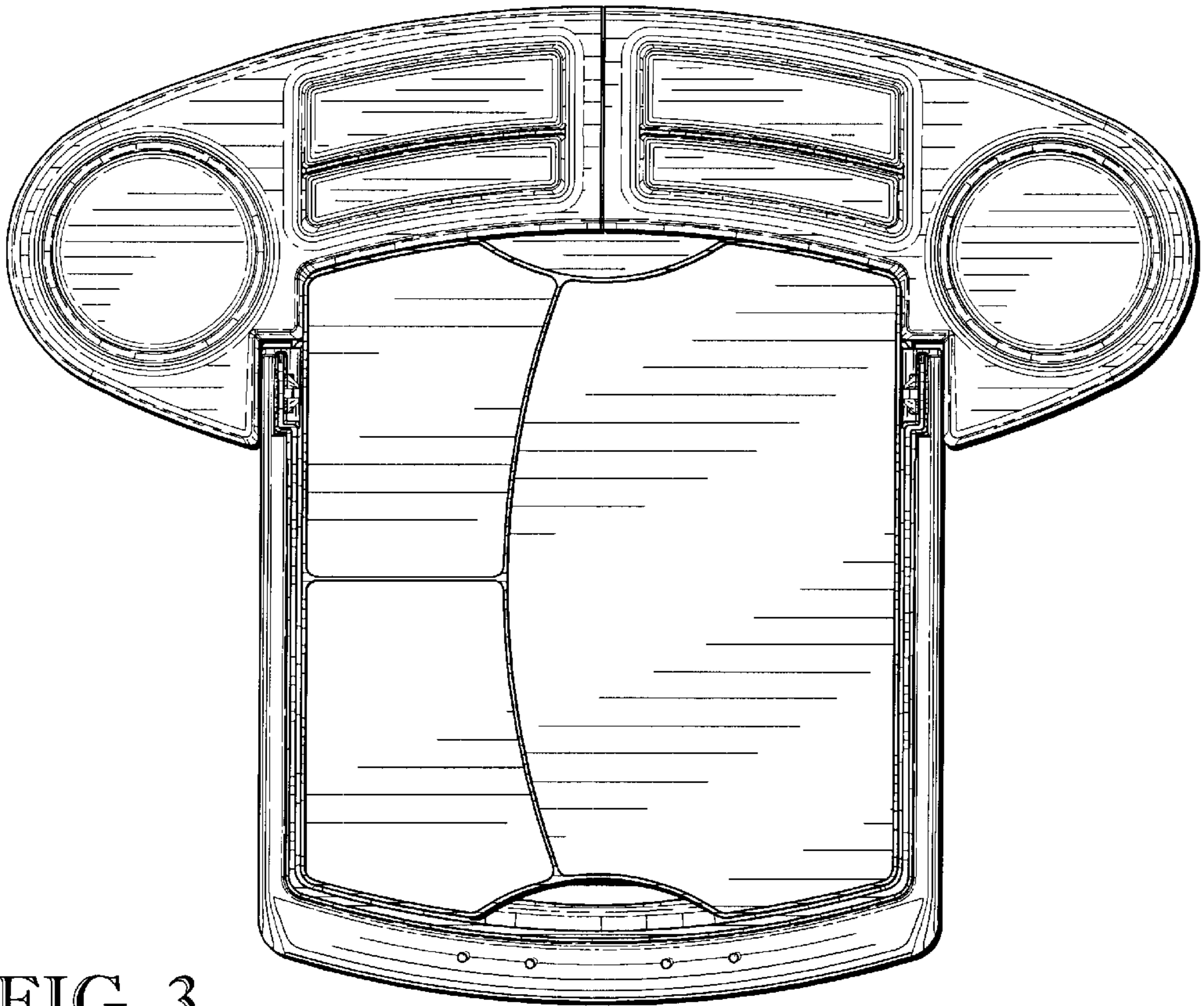


FIG. 3

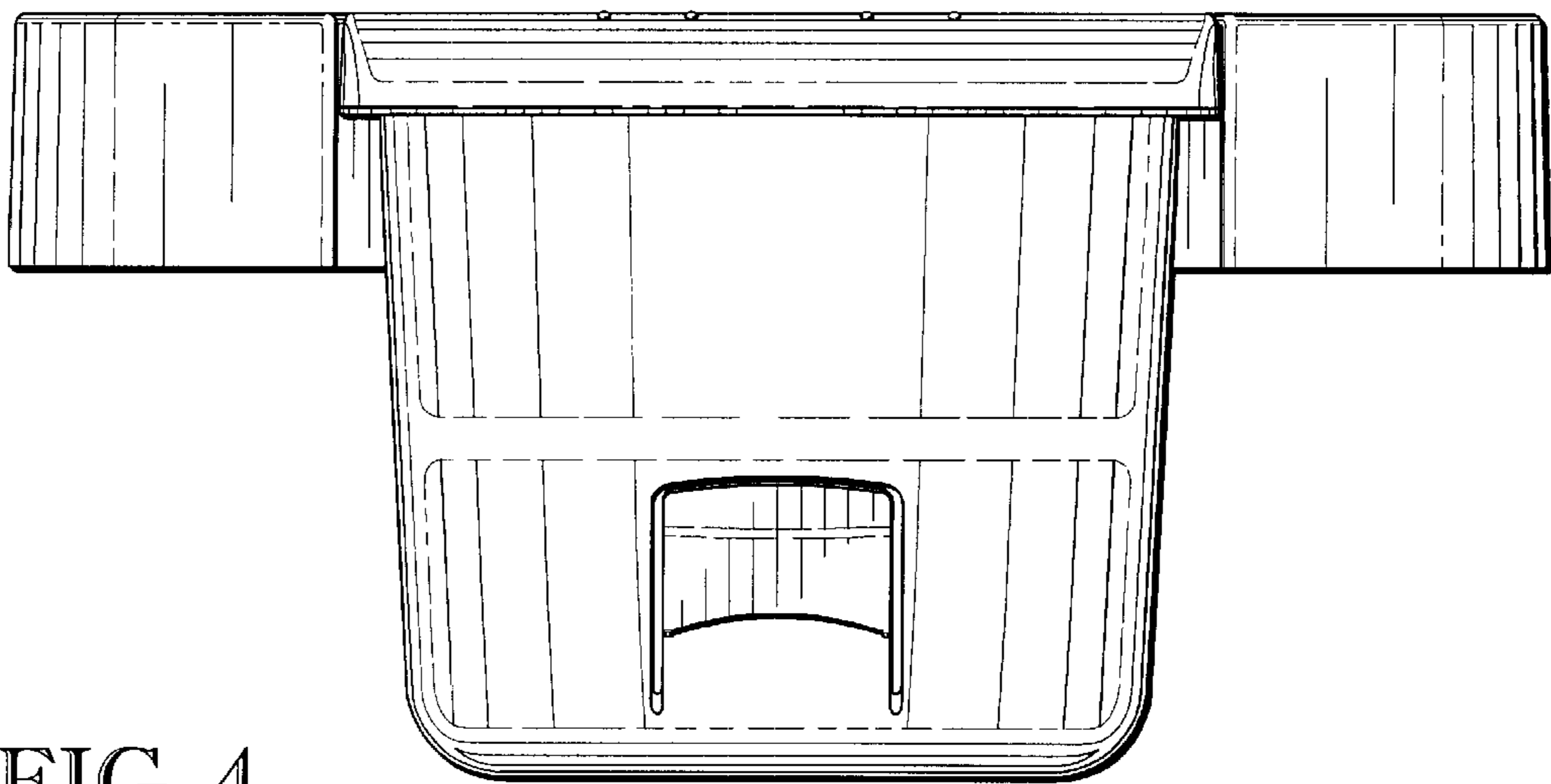


FIG. 4

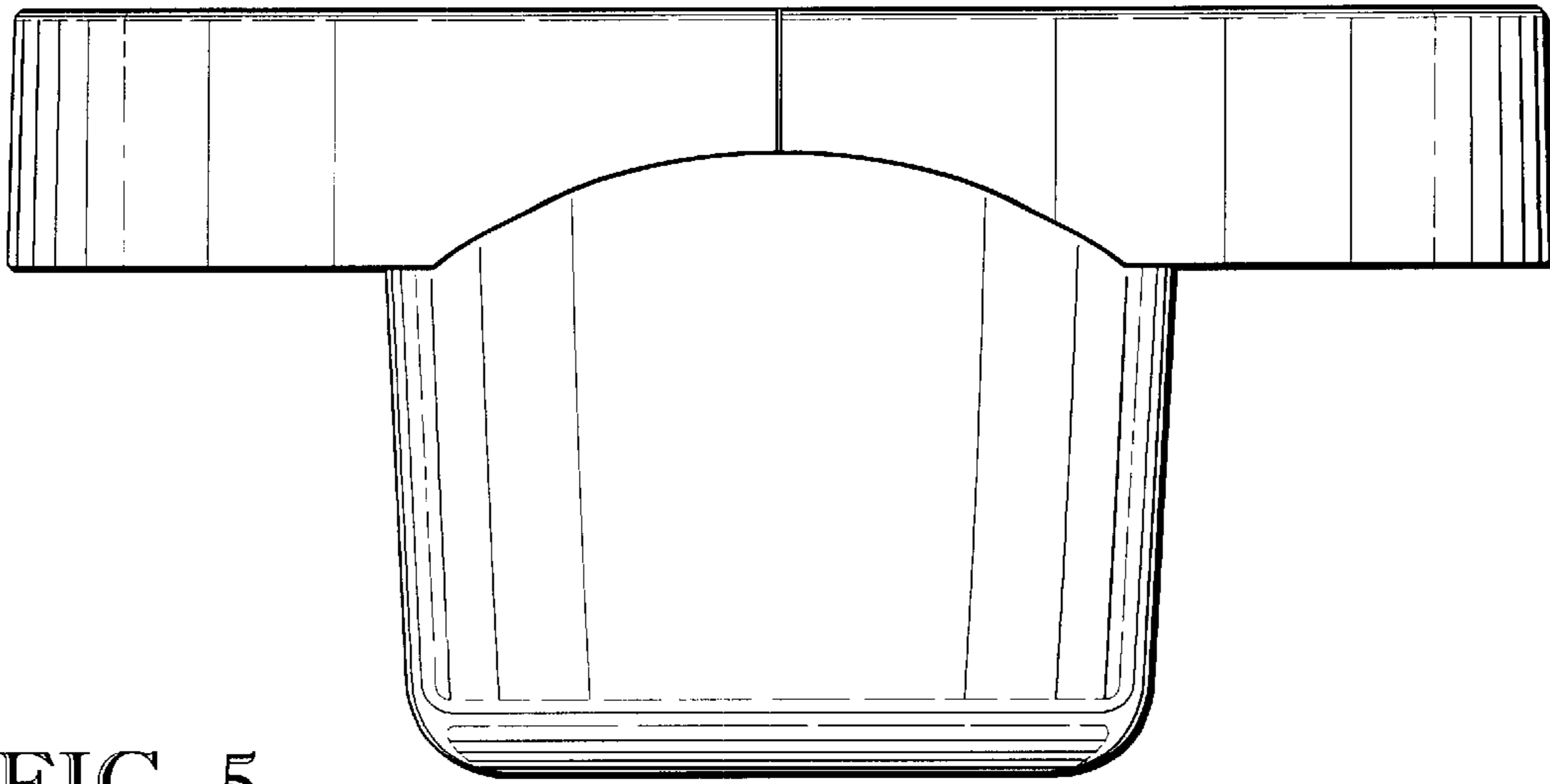


FIG. 5

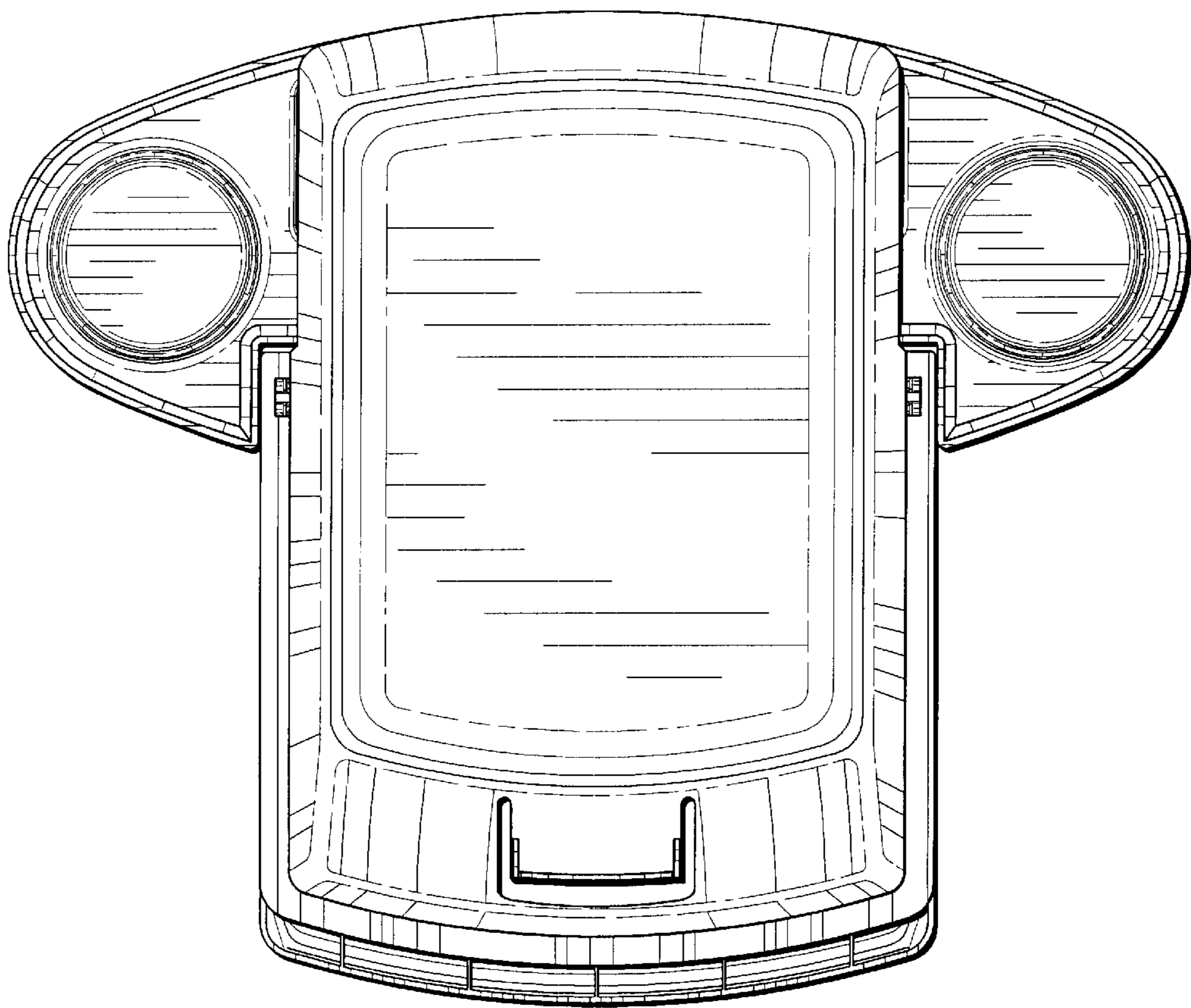


FIG. 6