



US00D460625S

(12) **United States Design Patent**
Wright

(10) **Patent No.:** **US D460,625 S**

(45) **Date of Patent:** **** Jul. 23, 2002**

(54) **SWIMMING POOL CLEANING DEVICE**

Primary Examiner—M. H. Tung
Assistant Examiner—Lavone Tabor

(76) **Inventor:** **Daniel L Wright**, 2777 Willow Ave.,
Clovis, CA (US) 93612

(57) **CLAIM**

(**) **Term:** **14 Years**

The ornamental design for a swimming pool cleaning device, as shown and described.

(21) **Appl. No.:** **29/154,118**

DESCRIPTION

(22) **Filed:** **Jan. 18, 2002**

(51) **LOC (7) Cl.** **04-01**

(52) **U.S. Cl.** **D4/116**

(58) **Field of Search** D4/116, 118; D32/35,
D32/42; 15/1.7, 105, 111, 160; 210/169

FIG. 1 is a front elevational view of the swimming pool cleaning device of the present invention;

FIG. 2 is a rear elevational view of the swimming pool cleaning device of FIG. 1;

FIG. 3 is a left side elevational view of the swimming pool cleaning device of FIG. 1, the right view being a mirror image thereof;

FIG. 4 is a top plan view of the swimming pool cleaning device of FIG. 1; and,

FIG. 5 is a bottom plan view of the swimming pool cleaning device of FIG. 1.

The broken lines showing of a handle in FIG. 1 are for illustrative purposes only and form no part of the claimed design.

The individual bristle tufts and the netting detail have been omitted in FIGS. 5 and 6, respectively for ease of illustration.

(56) **References Cited**

U.S. PATENT DOCUMENTS

4,003,100	A	1/1977	Whitaker	
4,176,419	A	12/1979	Macdonald	
4,206,000	A	6/1980	Schuchardt et al.	
4,724,566	A	2/1988	Fawcett	
D311,796	S	10/1990	Collins	
D316,619	S	* 4/1991	Richardson et al. D32/35
D351,948	S	* 11/1994	Getchell D4/118 X
5,858,221	A	* 1/1999	Conrad 219/169
5,915,431	A	6/1999	Doussan	

* cited by examiner

1 Claim, 3 Drawing Sheets

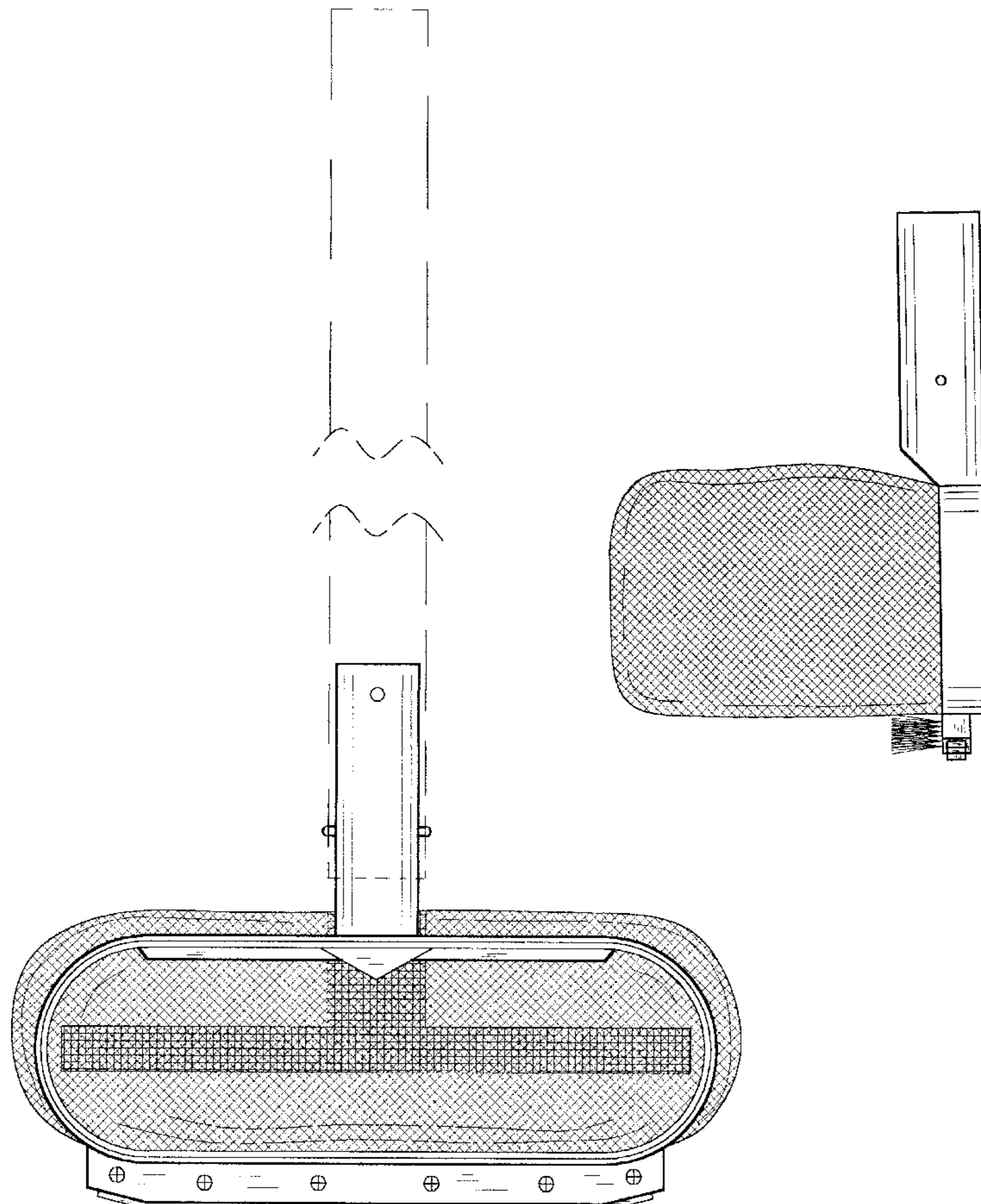
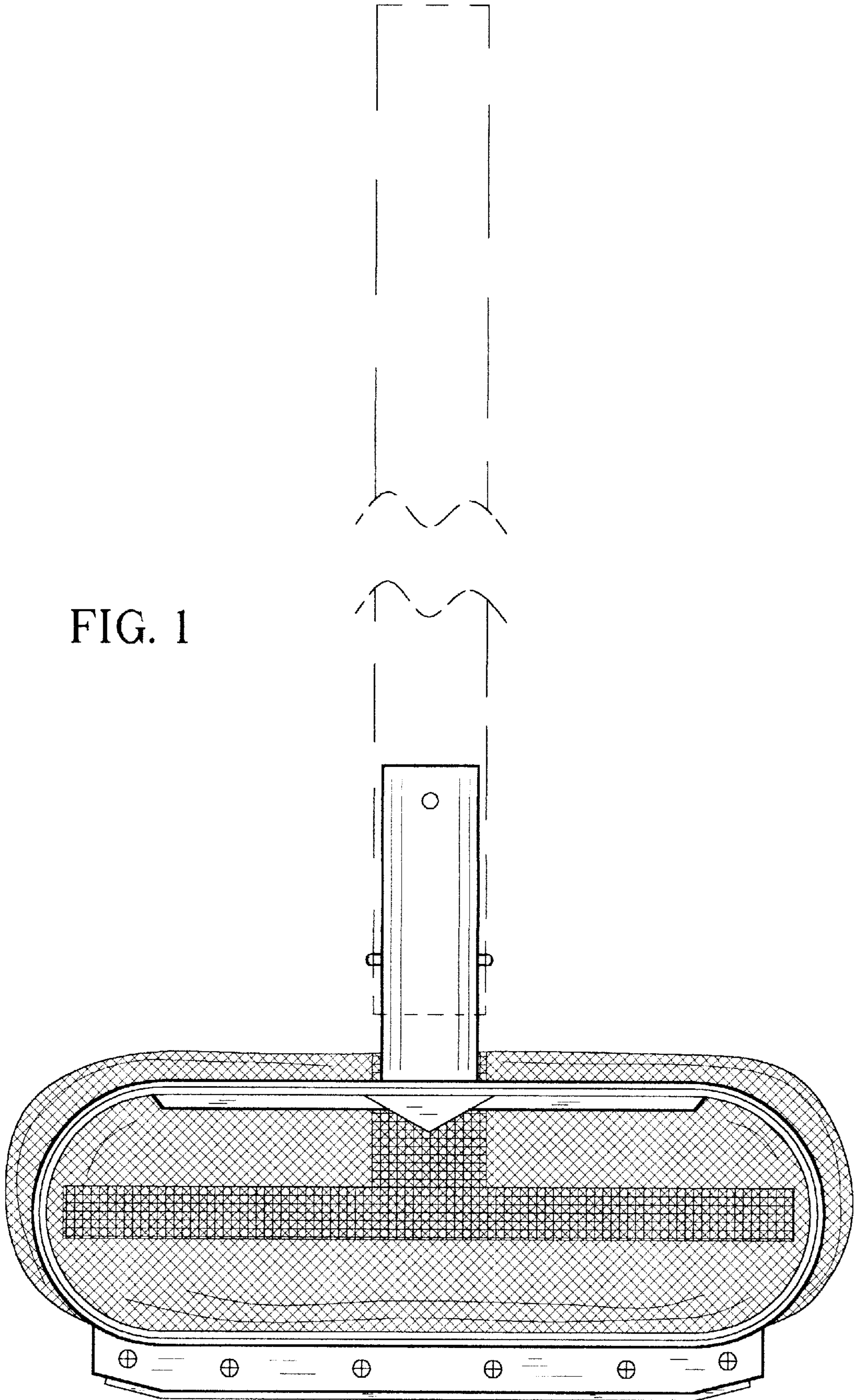


FIG. 1



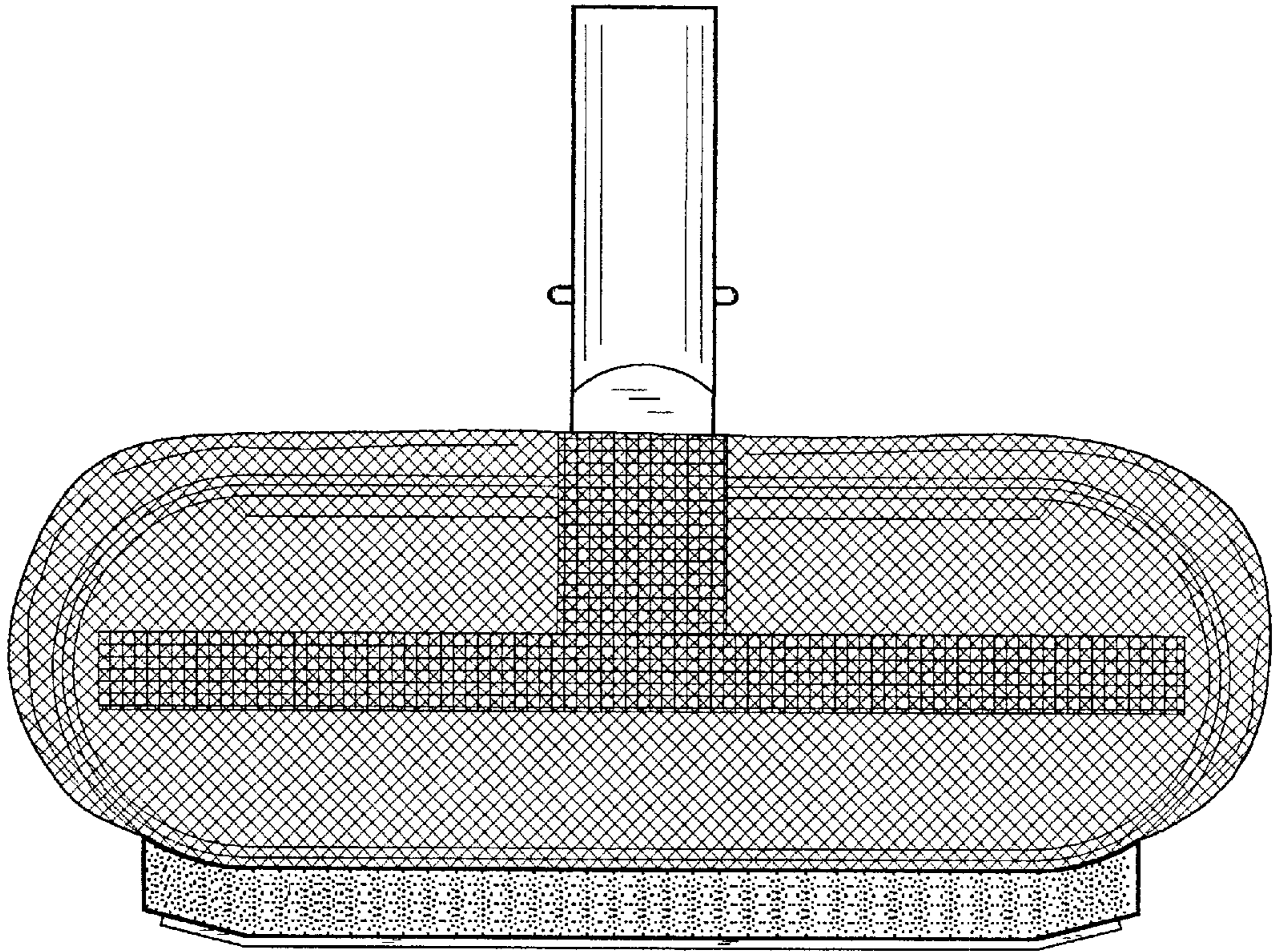


FIG. 2

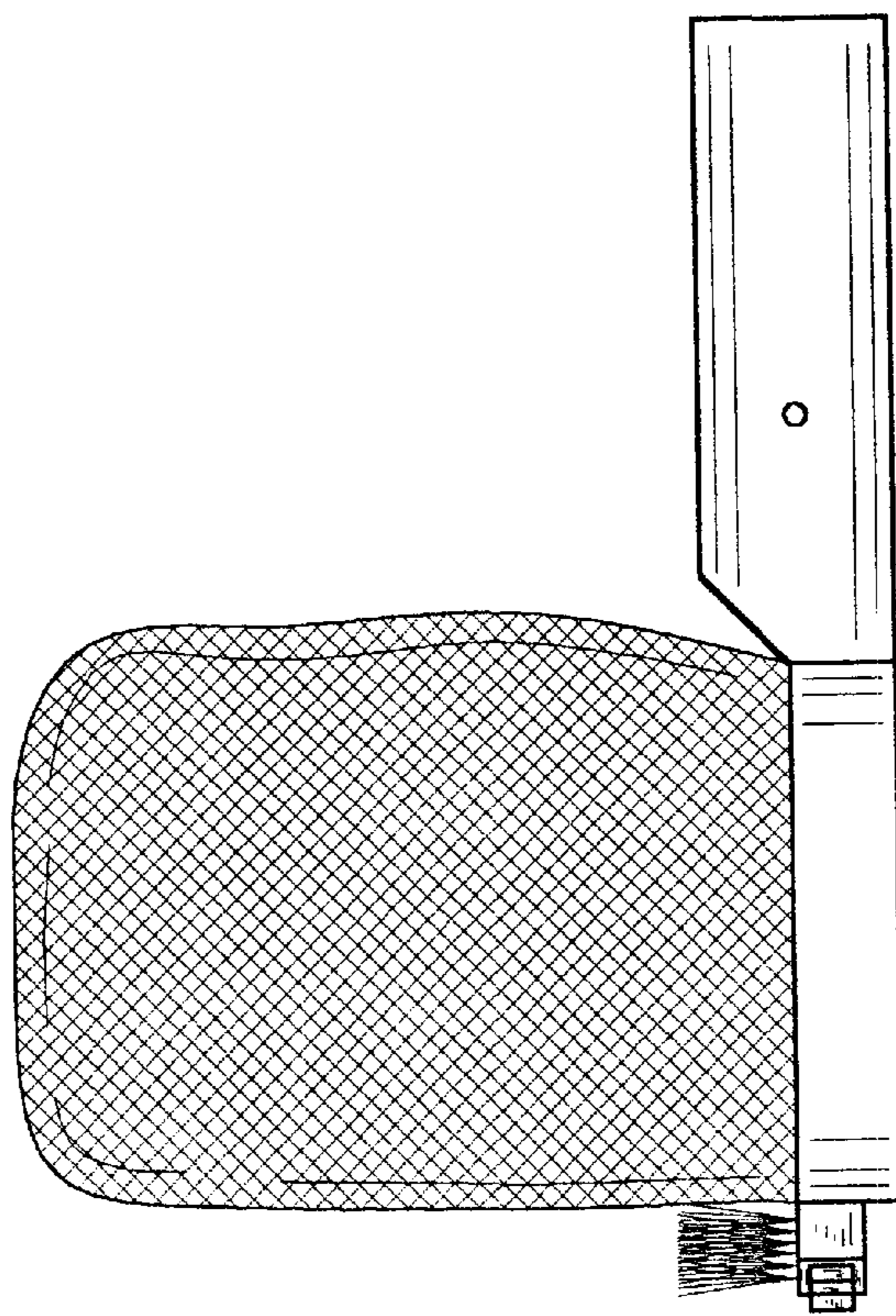


FIG. 3

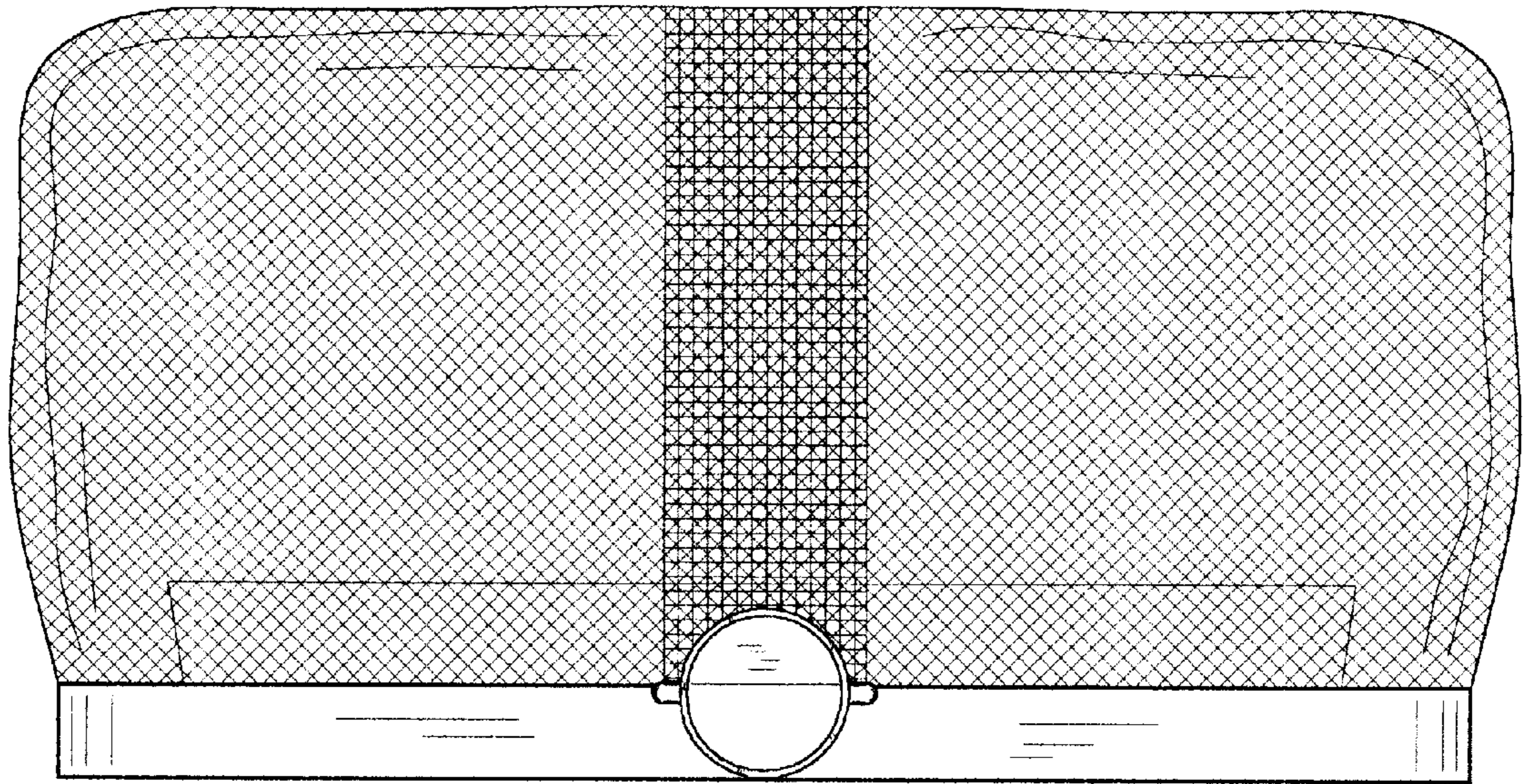


FIG. 4

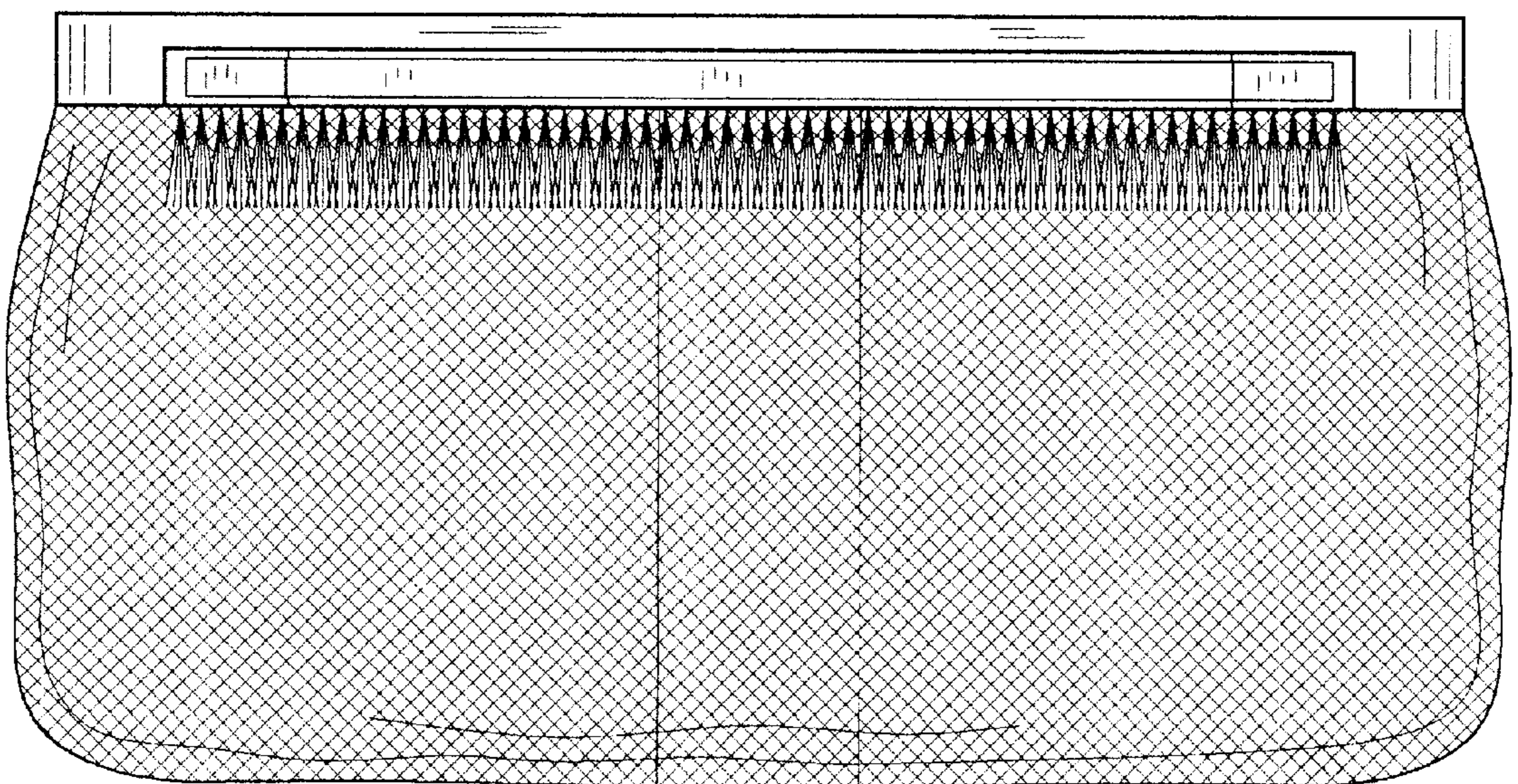


FIG. 5