



US00D460620S

(12) **United States Design Patent**
Smithey

(10) **Patent No.:** **US D460,620 S**

(45) **Date of Patent:** **** Jul. 23, 2002**

(54) **BOOKSTRAP**

(76) **Inventor:** **Rhonda G. Smithey**, 2620 Park Ave.,
St. Charles, MO (US) 63301

(**) **Term:** **14 Years**

(21) **Appl. No.:** **29/140,562**

(22) **Filed:** **Apr. 20, 2001**

(51) **LOC (7) Cl.** **03-01**

(52) **U.S. Cl.** **D3/315**

(58) **Field of Search** D3/315-318, 323,
D3/905; 294/148-157; 281/45-51; 248/441.1;
224/250, 258

(56) **References Cited**

U.S. PATENT DOCUMENTS

734,934	A	*	7/1903	Palmer	294/150
925,986	A	*	6/1909	Blackburn	294/157
3,023,941	A	*	3/1962	Foley	294/150
3,151,792	A	*	10/1964	Garland, Jr.	D3/315 X
3,923,222	A	*	12/1975	Groves	294/157
3,933,287	A	*	1/1976	Foley	D3/327 X

D341,692	S	*	11/1993	Klepac	D3/315
D410,335	S	*	6/1999	Raich	D3/315
D426,062	S	*	6/2000	Shui-Shang	D3/315
D451,281	S	*	12/2001	Wodkowski et al.	D3/315

* cited by examiner

Primary Examiner—Prabhakar Deshmukh

(74) *Attorney, Agent, or Firm*—Harness, Dickey & Pierce,
P.L.C.

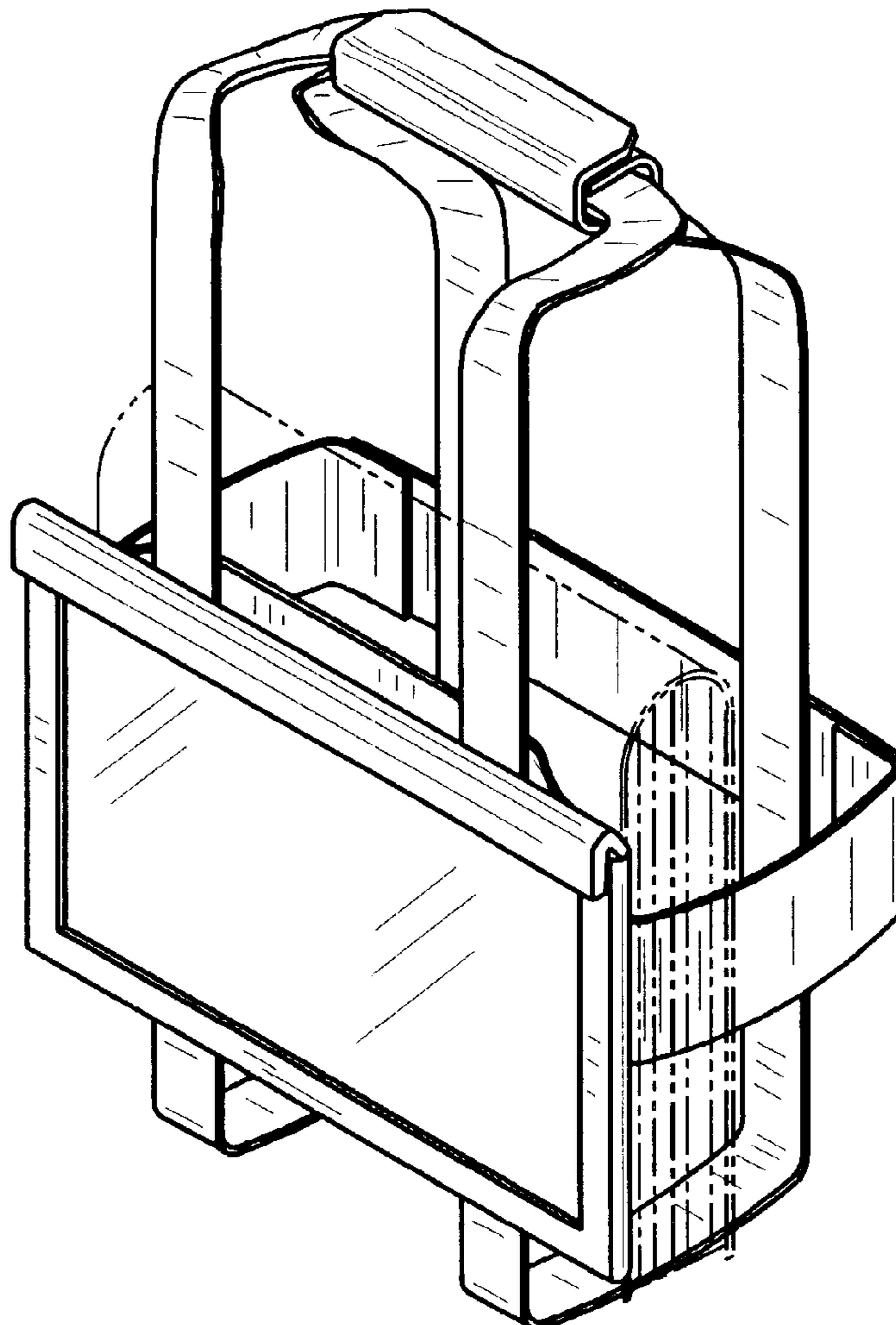
(57) **CLAIM**

The ornamental design of a bookstrap, as shown and described.

DESCRIPTION

FIG. 1 is a perspective view of a bookstrap incorporating the new design, with a book shown therein in dashed lines; FIG. 2 is a front elevation view thereof; FIG. 3 is a rear elevation view thereof; FIG. 4 is a left end elevation view thereof; FIG. 5 is a right end elevation view thereof; FIG. 6 is a top plan view thereof; and, FIG. 7 is a bottom plan view thereof.

1 Claim, 2 Drawing Sheets



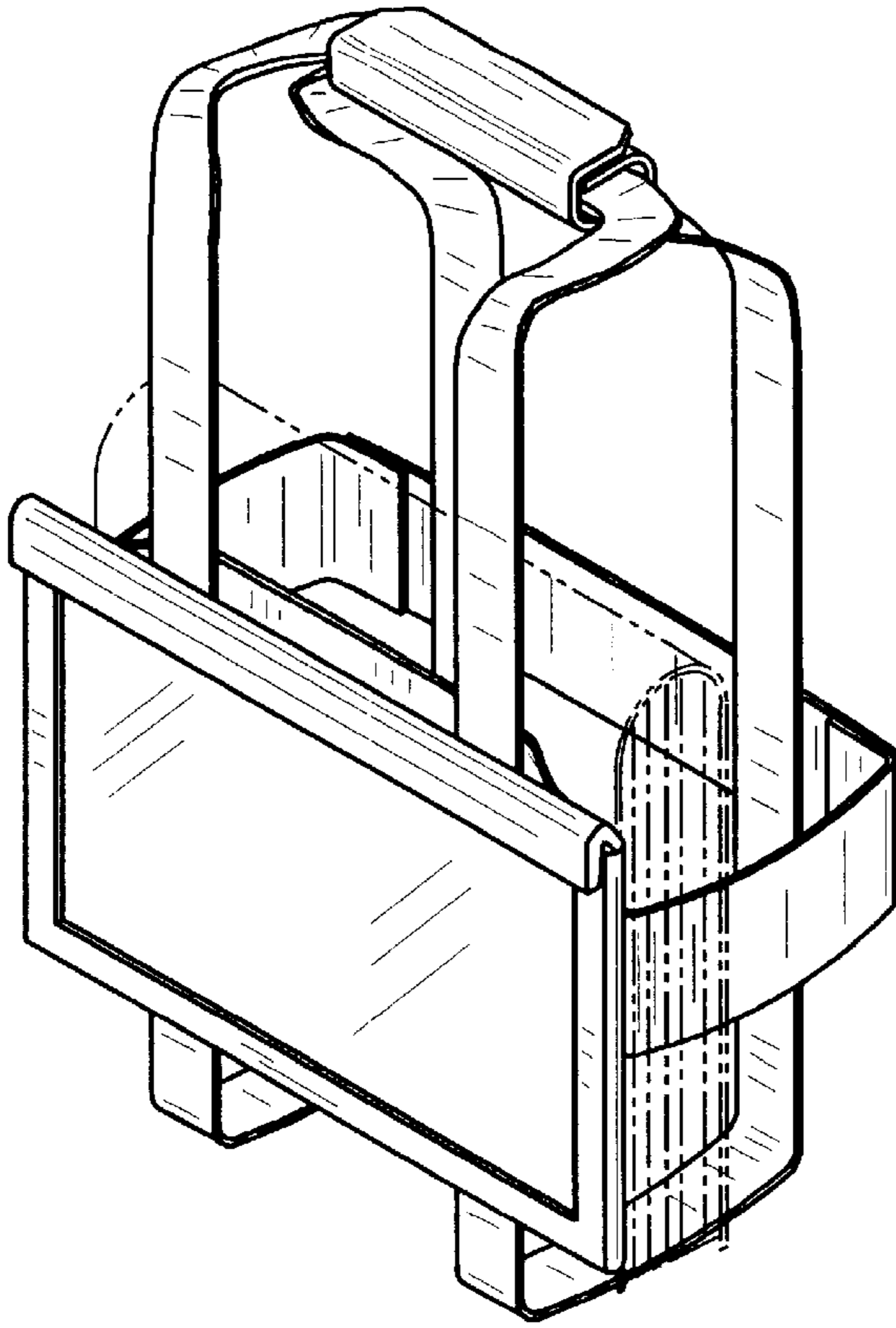


FIG. 1

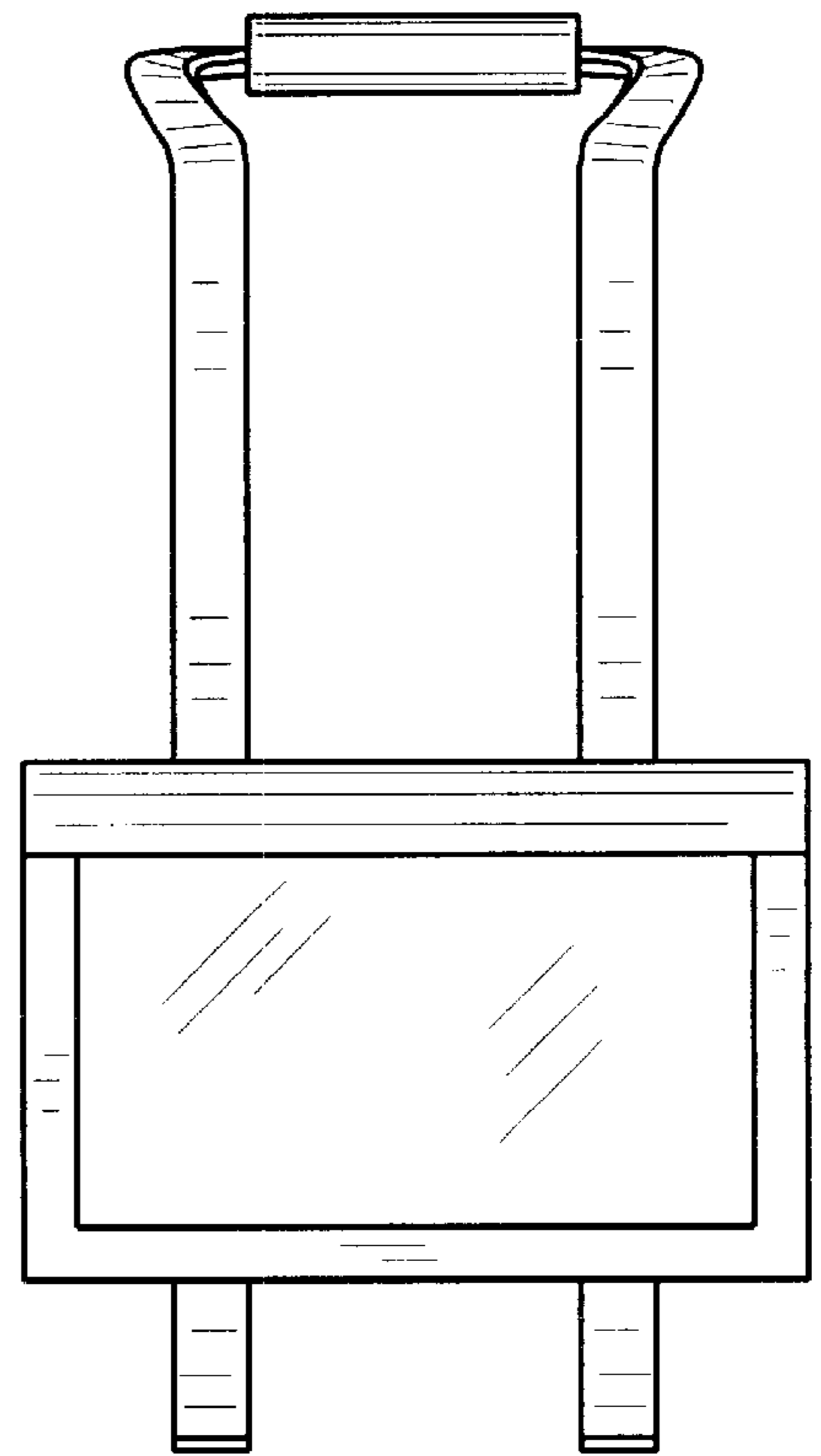


FIG. 2

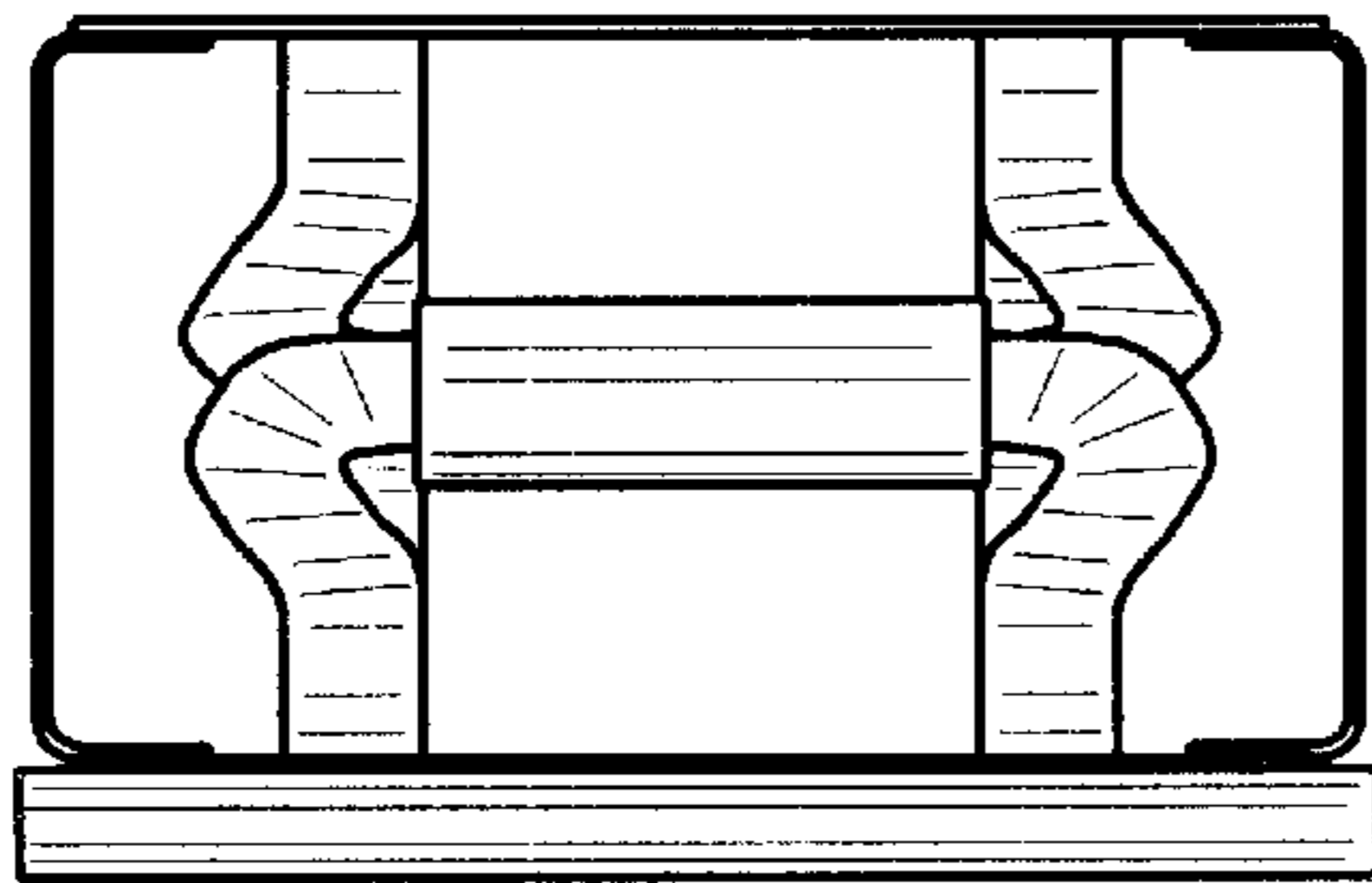


FIG. 6

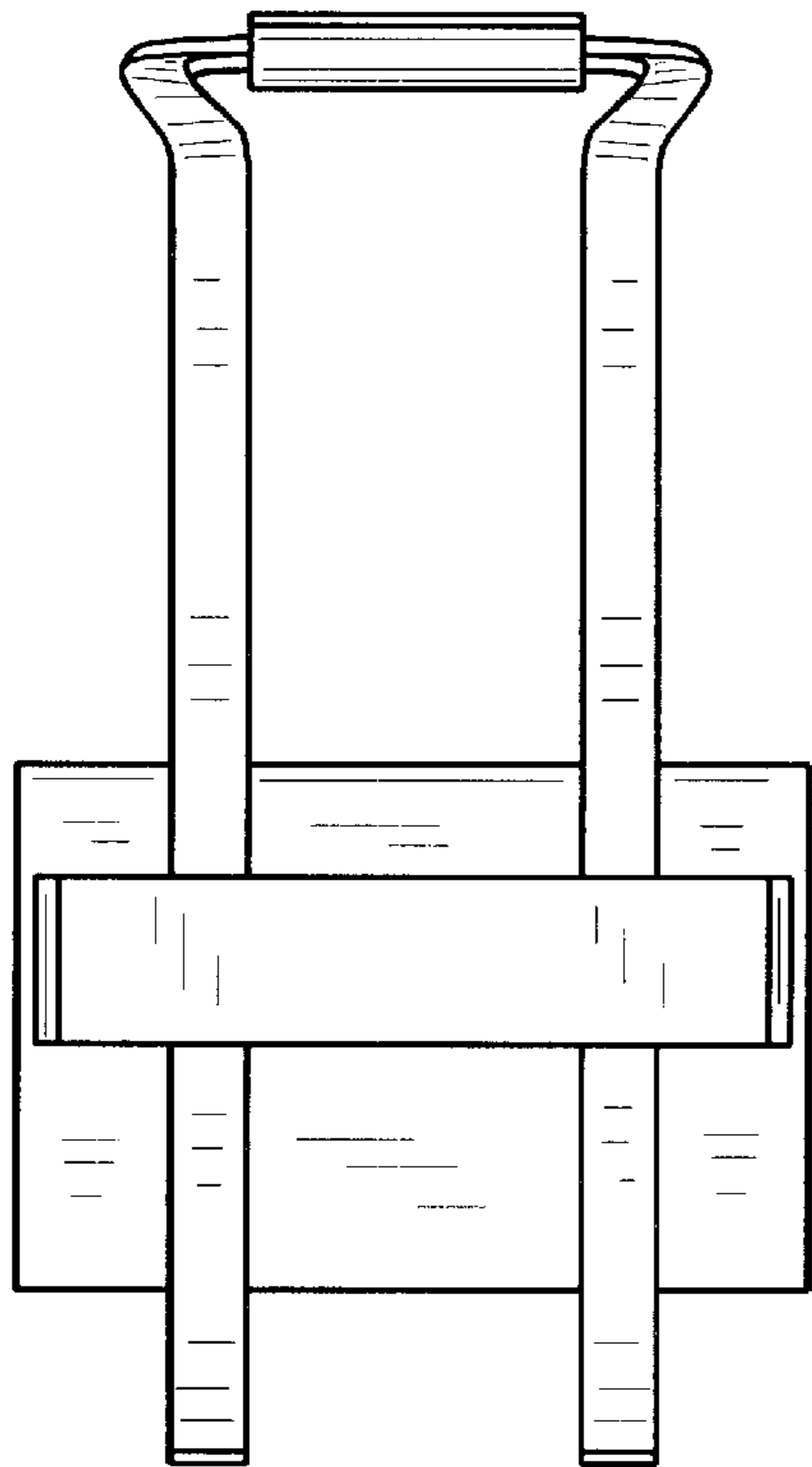


FIG. 3

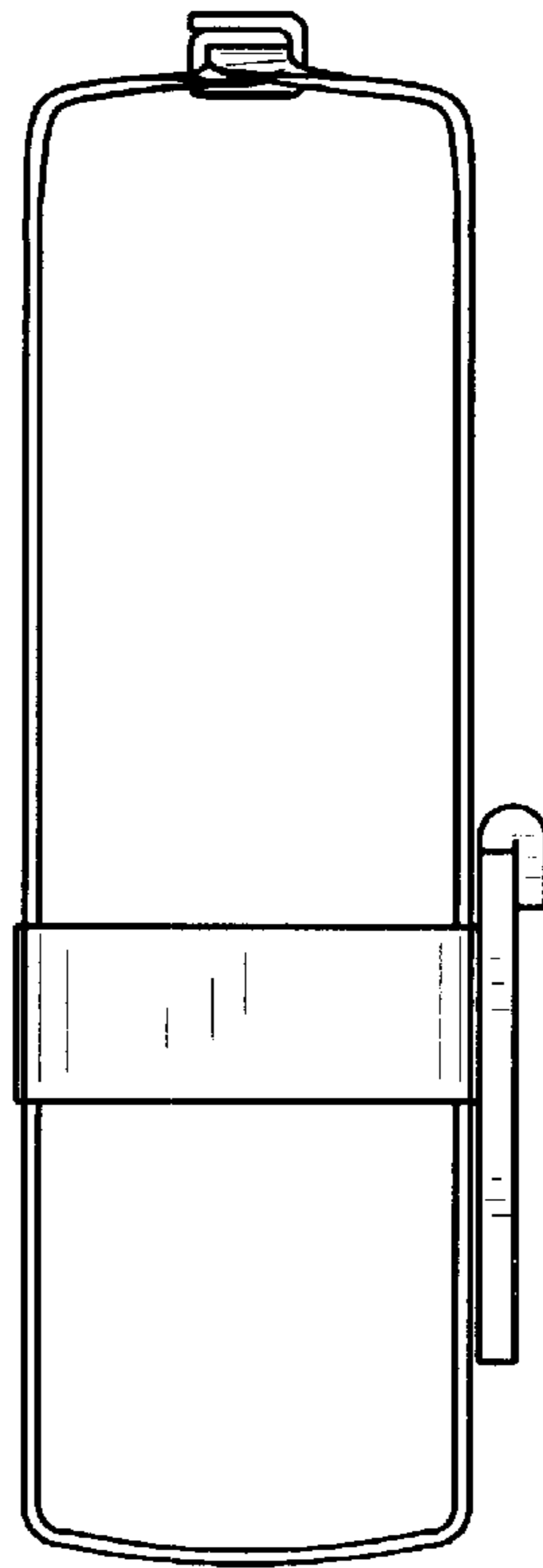


FIG. 4

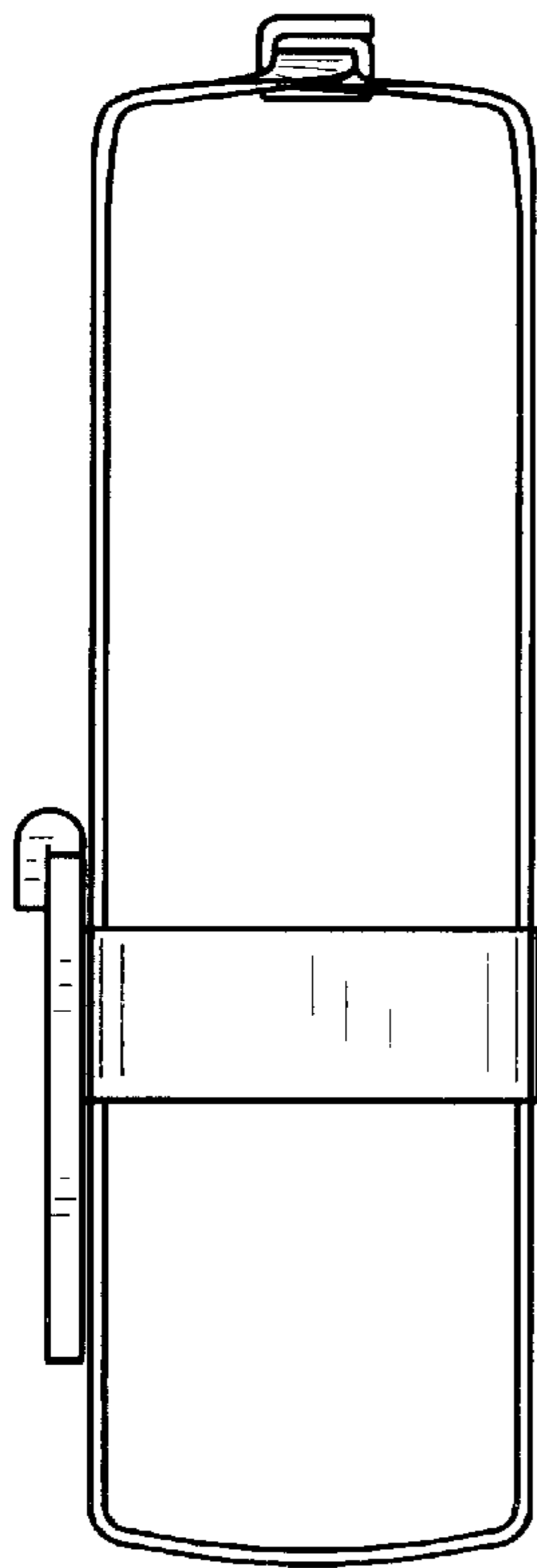


FIG. 5

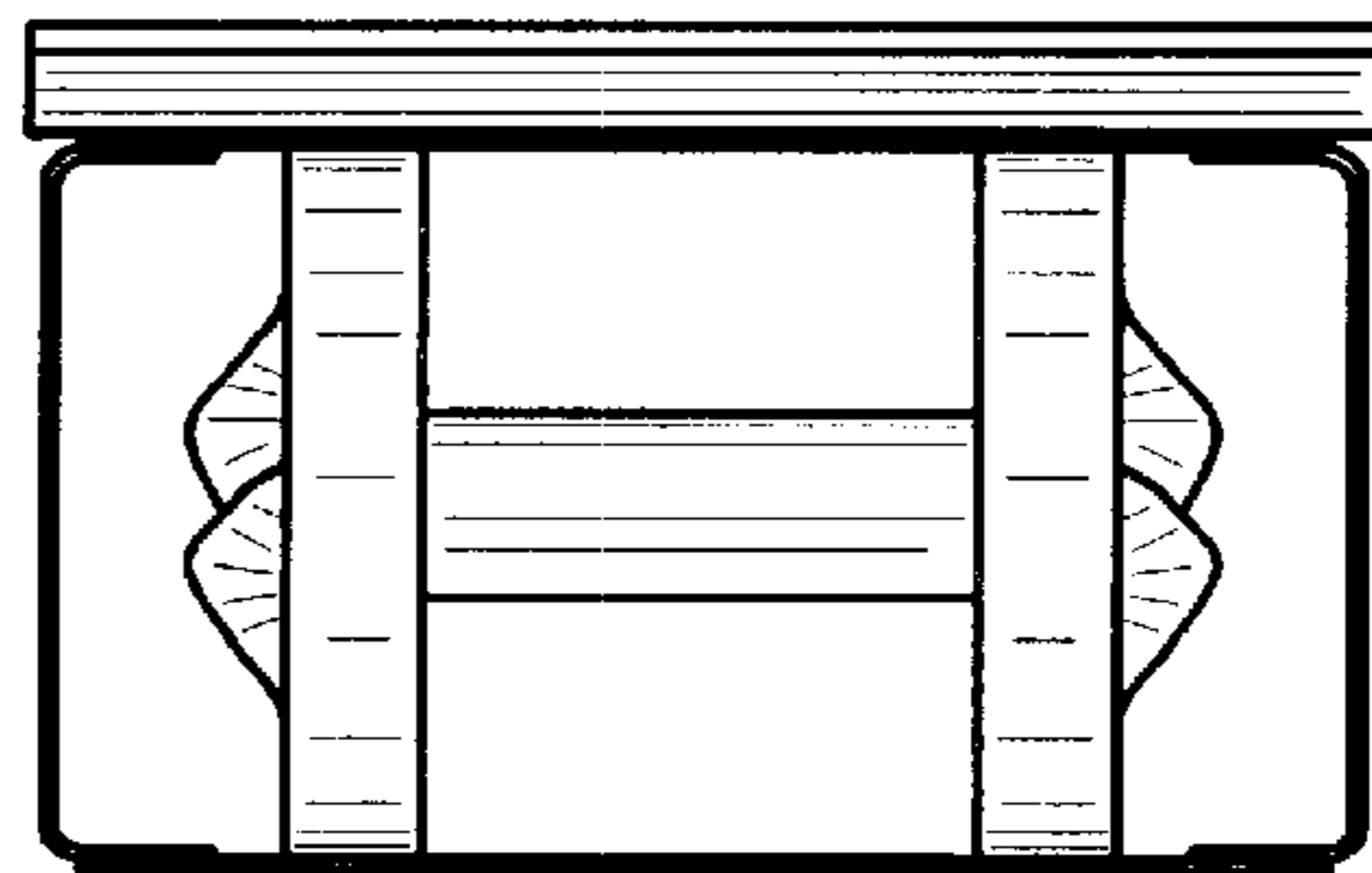


FIG. 7