



US00D460619S

(12) **United States Design Patent**  
**Koefeldt**

(10) **Patent No.:** **US D460,619 S**

(45) **Date of Patent:** **\*\* Jul. 23, 2002**

(54) **STORAGE CONTAINER**

(75) **Inventor:** **Gerald R. Koefeldt**, Hermosa Beach,  
CA (US)

(73) **Assignee:** **Rehrig Pacific Company**, Los Angeles,  
CA (US)

(\*\*) **Term:** **14 Years**

(21) **Appl. No.:** **29/146,177**

(22) **Filed:** **Aug. 6, 2001**

**Related U.S. Application Data**

(62) Division of application No. 29/115,149, filed on Dec. 7,  
1999, now Pat. No. Des. 446,017.

(51) **LOC (7) Cl.** ..... **03-01**

(52) **U.S. Cl.** ..... **D3/304**

(58) **Field of Search** ..... D3/272, 273, 302,  
D3/304, 307, 315, 312; D9/420, 423-425;  
220/326; 206/503, 508, 514, 519; D34/1,  
7; 248/147; D7/601, 602, 629, 703

(56) **References Cited**

**U.S. PATENT DOCUMENTS**

- 3,043,461 A 7/1962 Glassco
- 3,405,858 A 10/1968 Collie
- 3,583,623 A 6/1971 Golner et al.
- 3,680,735 A \* 8/1972 Lucas ..... 206/511
- 4,206,845 A 6/1980 Christian
- 4,349,124 A 9/1982 Faller
- 4,442,969 A 4/1984 Holden
- D286,937 S \* 11/1986 Schafer ..... D3/272
- 4,932,557 A 6/1990 Yeo
- D312,573 S 12/1990 Poirier
- D319,016 S 8/1991 Kahl
- 5,042,674 A 8/1991 Ramsay et al.
- 5,046,636 A 9/1991 Coskery

- D326,345 S \* 5/1992 Mandell et al. .... D3/312
- D326,815 S 6/1992 Meisner et al.
- D326,945 S 6/1992 Howitt
- D351,284 S 10/1994 Kruger
- 5,373,958 A 12/1994 Bokmiller
- D363,604 S \* 10/1995 Koenig et al. .... D3/312
- 5,472,139 A 12/1995 Valdman et al.
- D372,123 S \* 7/1996 Kobilarcik et al. .... D3/312
- 5,531,352 A 7/1996 Kraft et al.
- D382,112 S 8/1997 Egan
- D395,756 S 7/1998 Tanji
- D402,466 S \* 12/1998 Werbesky, Jr. .... D3/304
- 5,862,935 A \* 1/1999 Dubois et al. .... 220/326
- 5,881,908 A 3/1999 Hays et al.
- 5,967,322 A 10/1999 Apps et al.
- 6,007,854 A 12/1999 Cadiente et al.
- D421,183 S 2/2000 Koskinen
- 6,079,587 A 6/2000 Vogt
- D429,565 S 8/2000 Aiken
- D446,017 S \* 8/2001 Koefeldt ..... D3/304
- D448,166 S \* 9/2001 Zimmerman ..... D3/273

\* cited by examiner

*Primary Examiner*—Louis S. Zarfes

*Assistant Examiner*—Deanne Levy

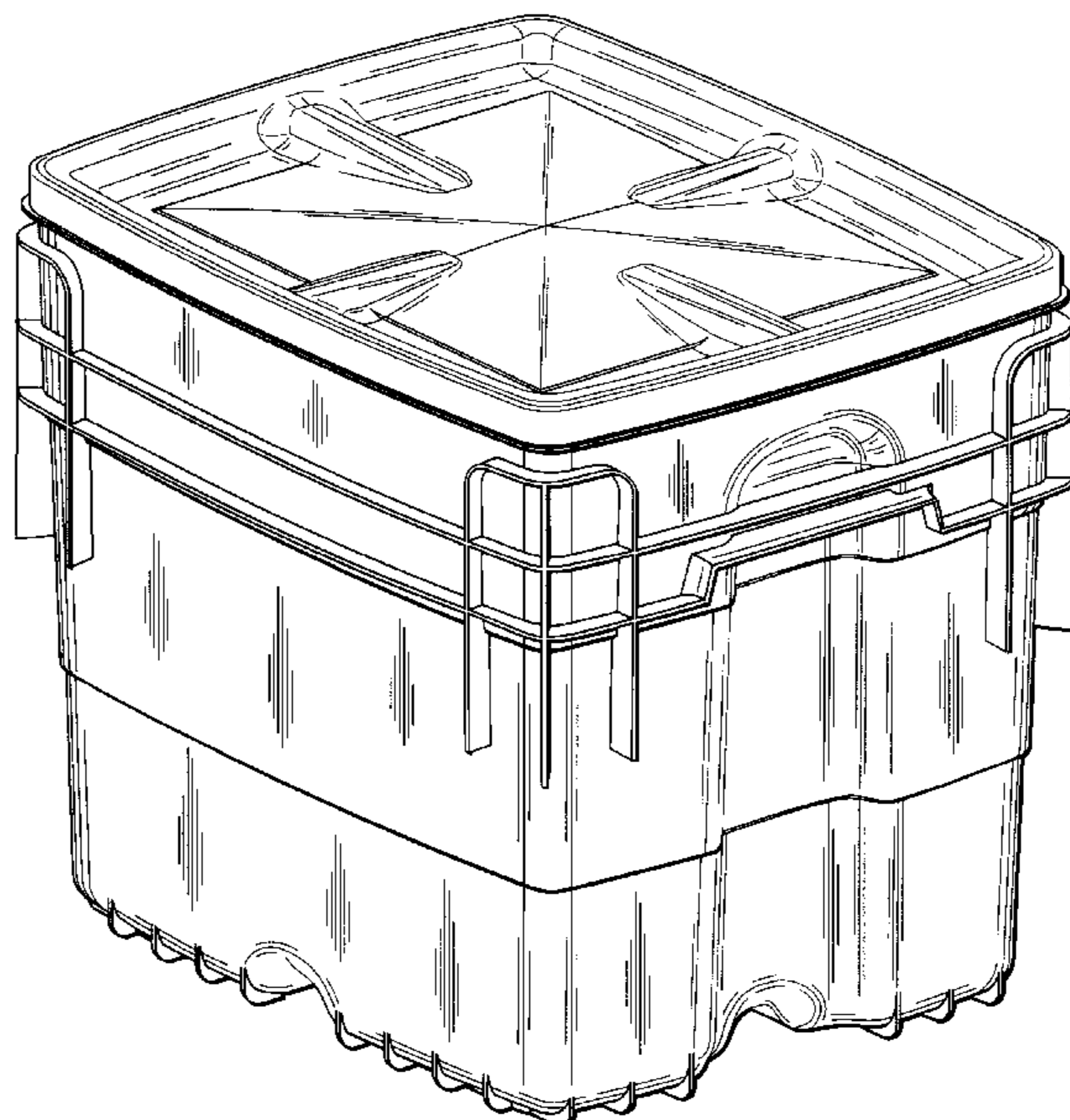
(57) **CLAIM**

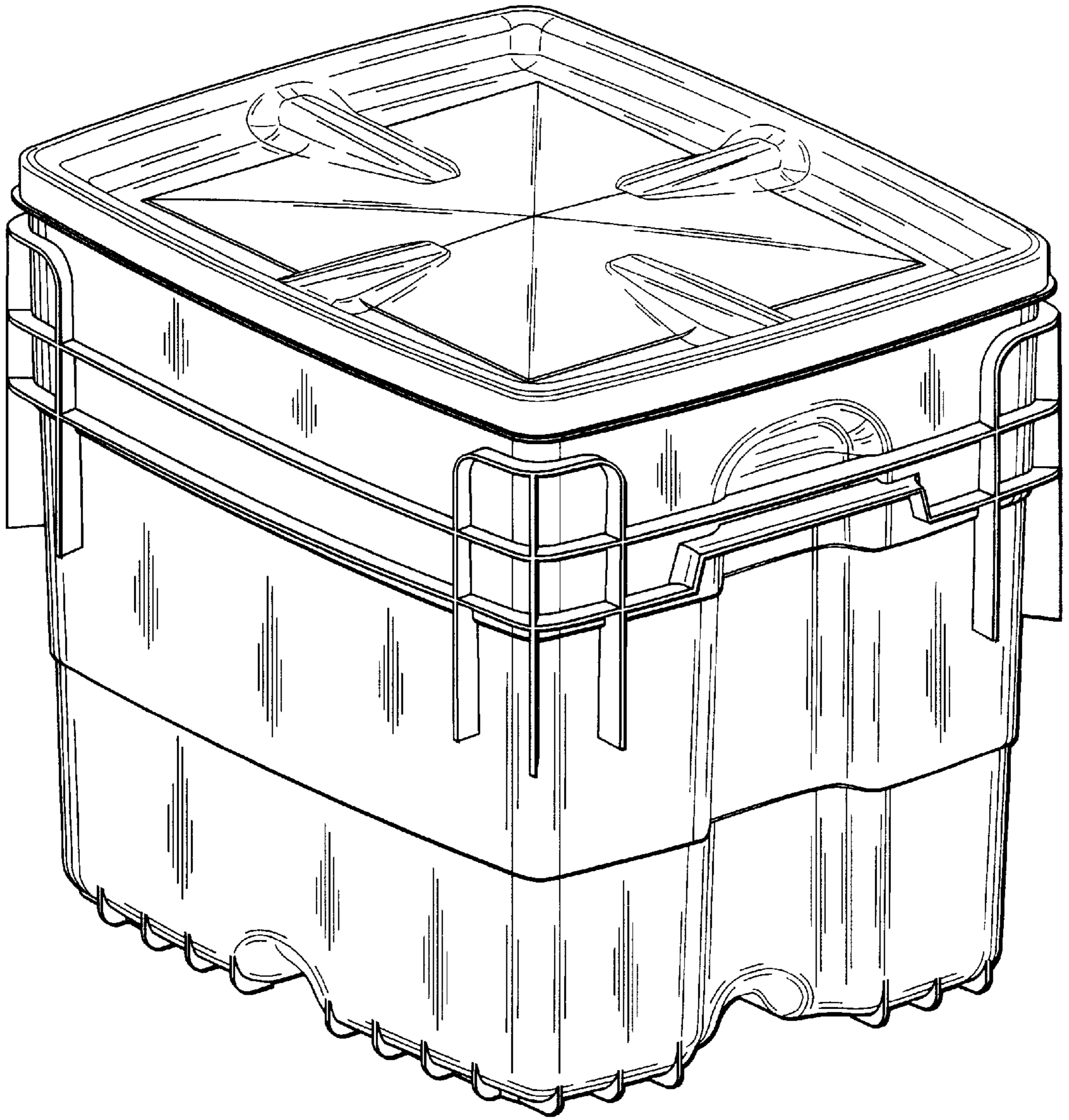
The ornamental design for a storage container, as shown and described.

**DESCRIPTION**

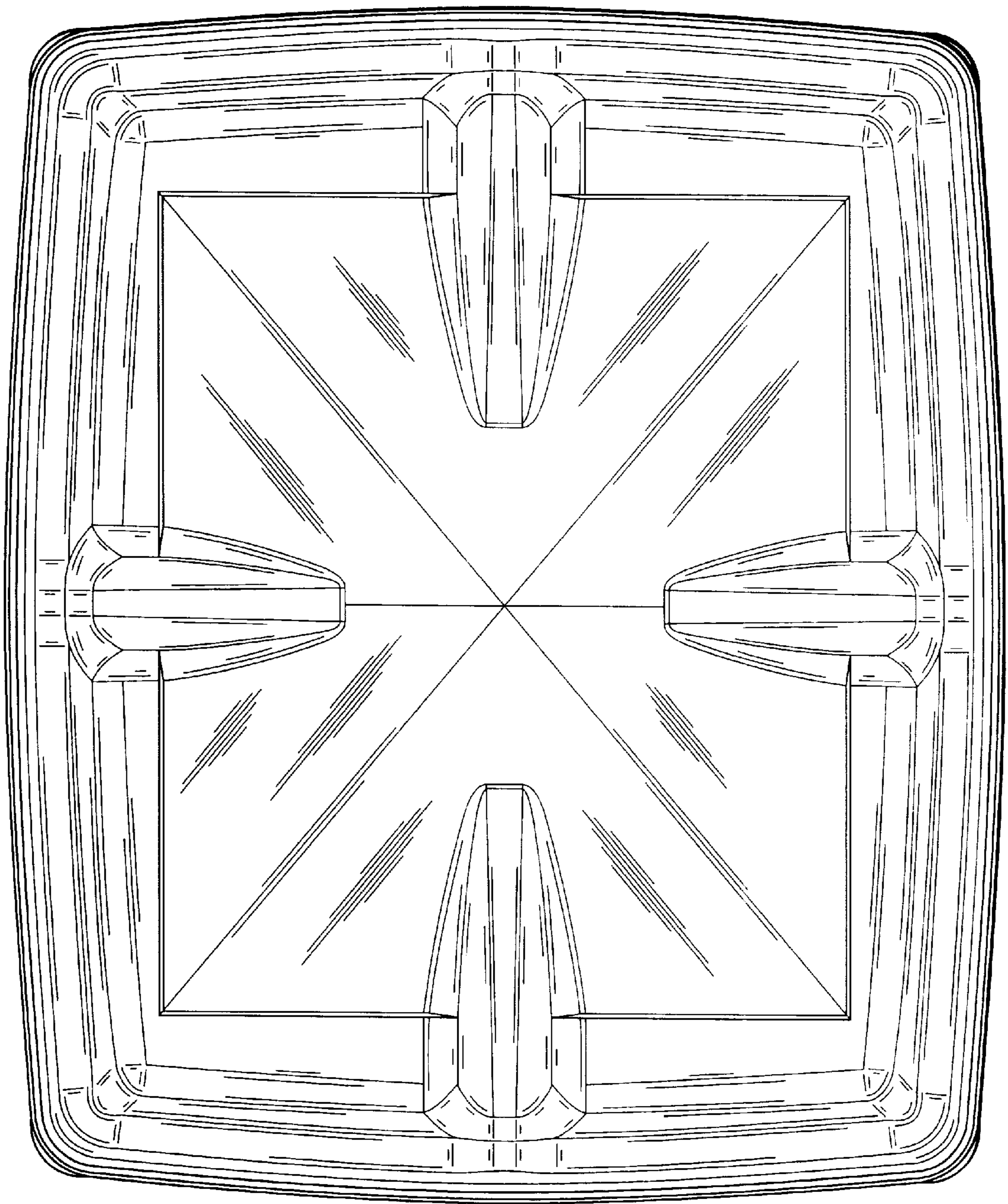
FIG. 1 is a perspective view of of the storage container having a lid;  
FIG. 2 is a top plan view thereof;  
FIG. 3 is a front elevational view thereof, the rear elevational view being a mirror image thereof;  
FIG. 4 is a left side elevational view thereof, the right side elevational view being a mirror image thereof; and,  
FIG. 5 is a bottom plan view thereof.

**1 Claim, 5 Drawing Sheets**

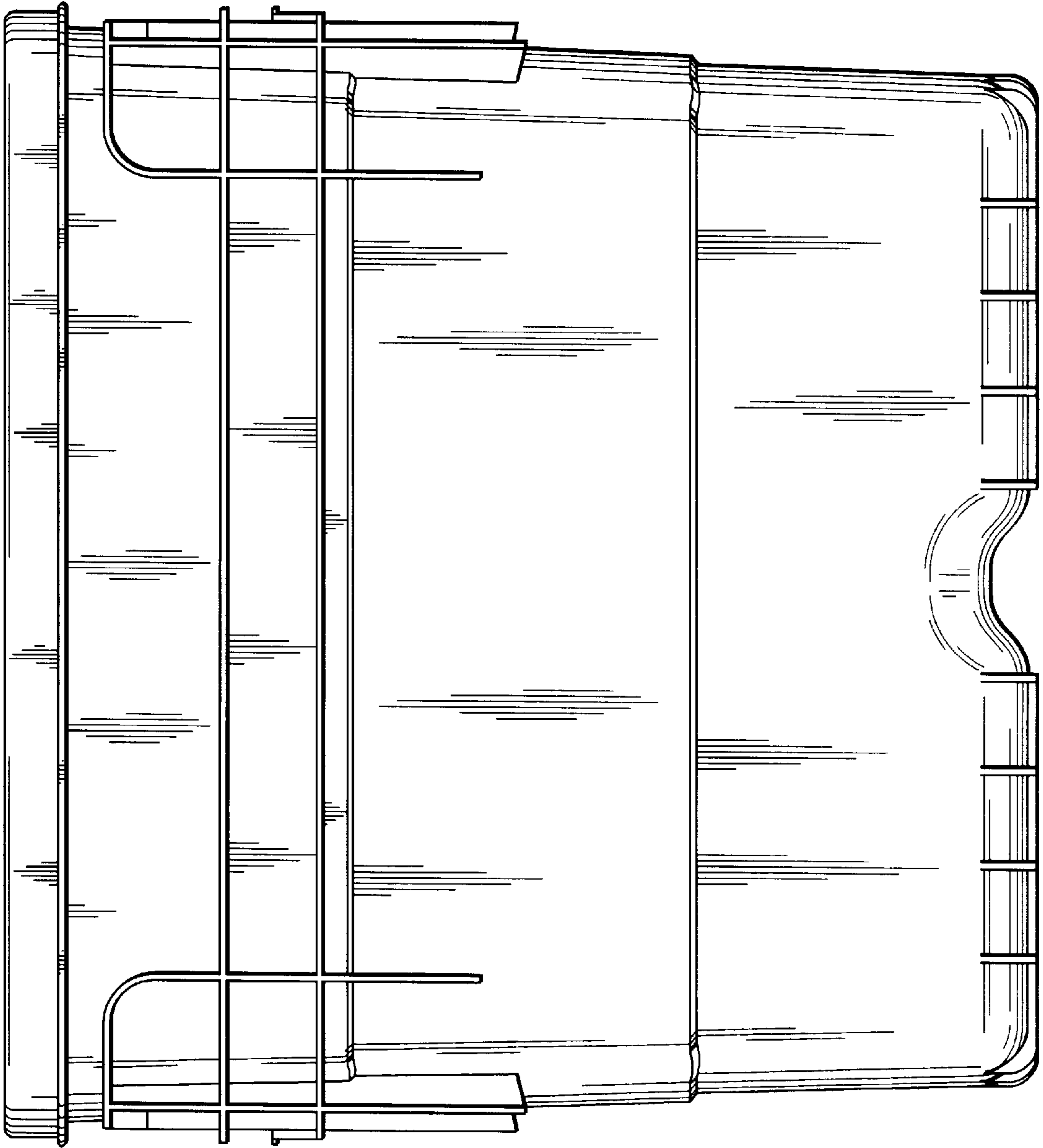




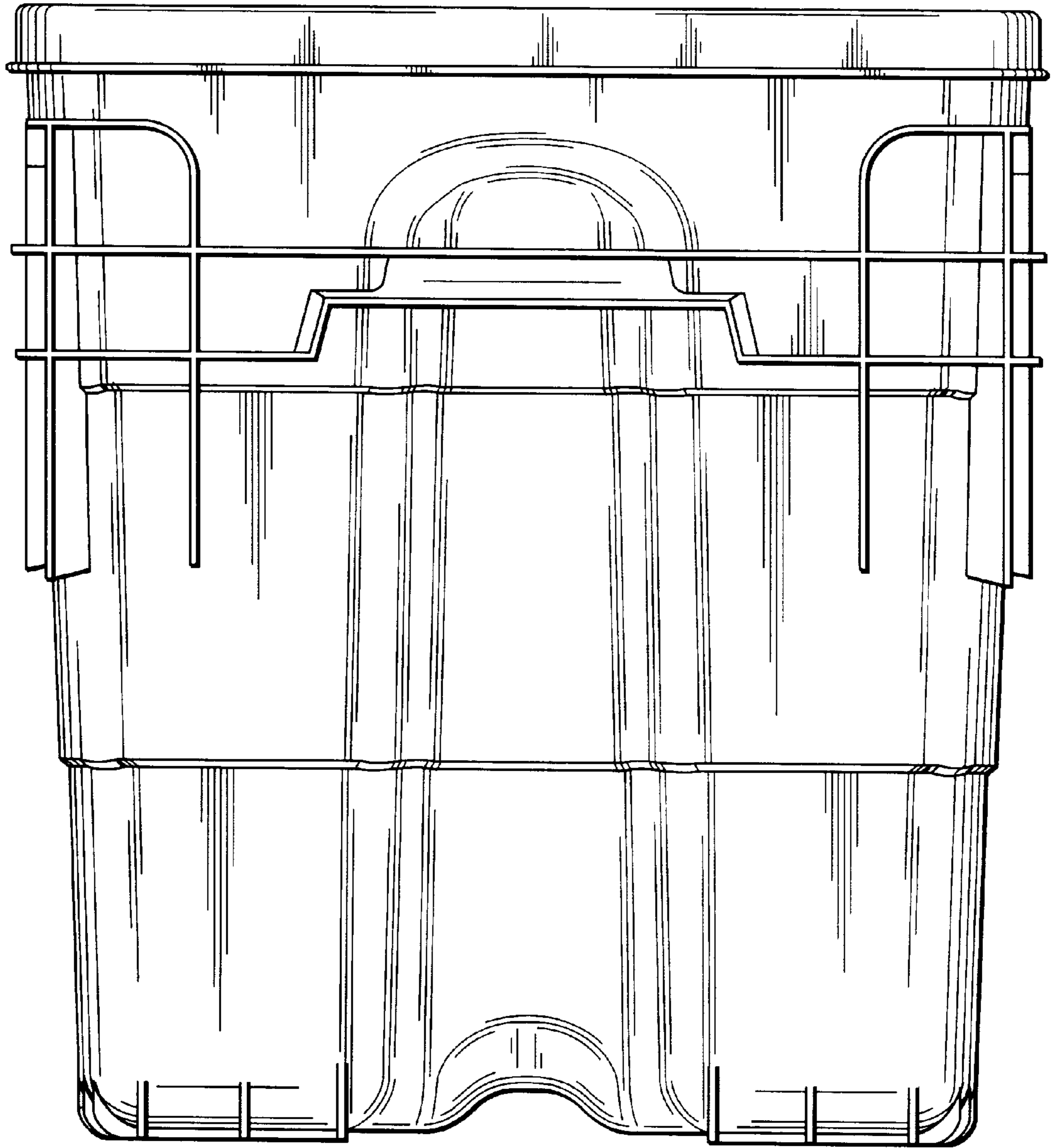
*Fig. 1*



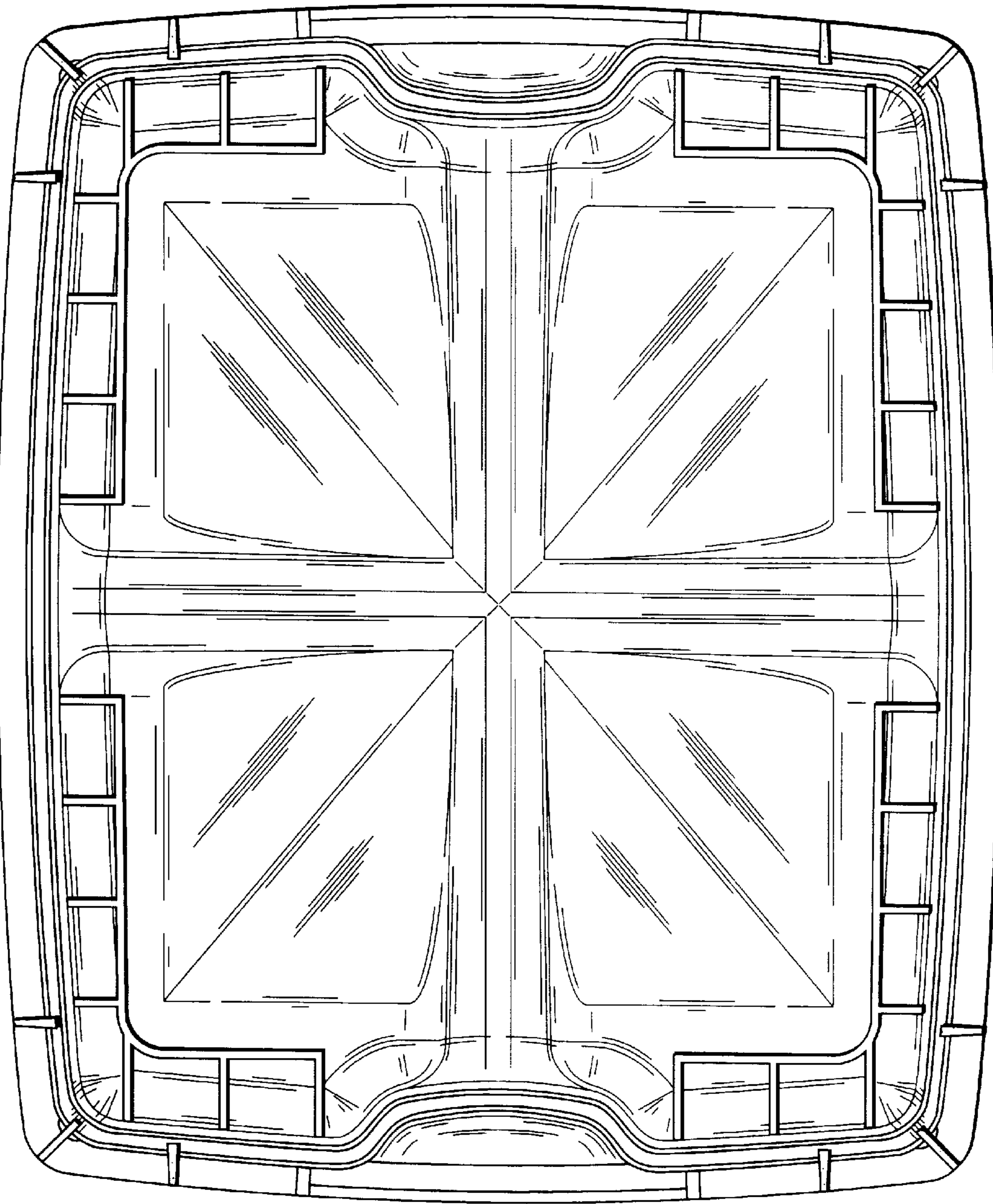
*Fig. 2*



*Fig. 3*



*Fig. 4*



*Fig. 5*