



US00D460617S

(12) **United States Design Patent**
Konkle

(10) **Patent No.:** **US D460,617 S**

(45) **Date of Patent:** **** Jul. 23, 2002**

(54) **BALL HOLDER**

(74) *Attorney, Agent, or Firm*—Seed IP Law Group PLLC

(75) **Inventor:** **Stephen A. Konkle**, Kirkland, WA (US)

(57) **CLAIM**

(73) **Assignee:** **Catalyst Concepts, Inc.**, Issaquah, WA (US)

The ornamental design for a ball holder, as shown and described.

(**) **Term:** **14 Years**

DESCRIPTION

(21) **Appl. No.:** **29/127,327**

A portion of this disclosure contains material to which a claim for copyright is made. The inventor or his assignee (copyright owner) have no objection to the facsimile reproduction by anyone of the patent document or the patent disclosure, as it appears in the Patent and Trademark Office files or records, but reserve all other copyright rights whatsoever.

(22) **Filed:** **Aug. 3, 2000**

(51) **LOC (7) Cl.** **03-01**

(52) **U.S. Cl.** **D3/257**

(58) **Field of Search** D3/221, 224, 226; 224/918, 919, 274, 251; 206/315.9, 315.1

FIG. 1 is a bottom, front perspective view of a ball holder showing my new design in the environment in which it is typically used;

(56) **References Cited**

U.S. PATENT DOCUMENTS

3,891,174 A	6/1975	Harvey	
4,082,209 A *	4/1978	Sanders	224/919
4,299,345 A *	11/1981	Lanzl	224/919
4,840,332 A *	6/1989	Hoyt	224/919
6,293,397 B1 *	9/2001	Chen	206/315.9
D448,555 S *	10/2001	DeLong	D3/221

FIG. 2 is a bottom, front perspective view thereof;

FIG. 3 is a top plan view thereof;

FIG. 4 is a front elevational view thereof;

FIG. 5 is a right side elevational view thereof, the left side elevational view is a mirror image thereof; and,

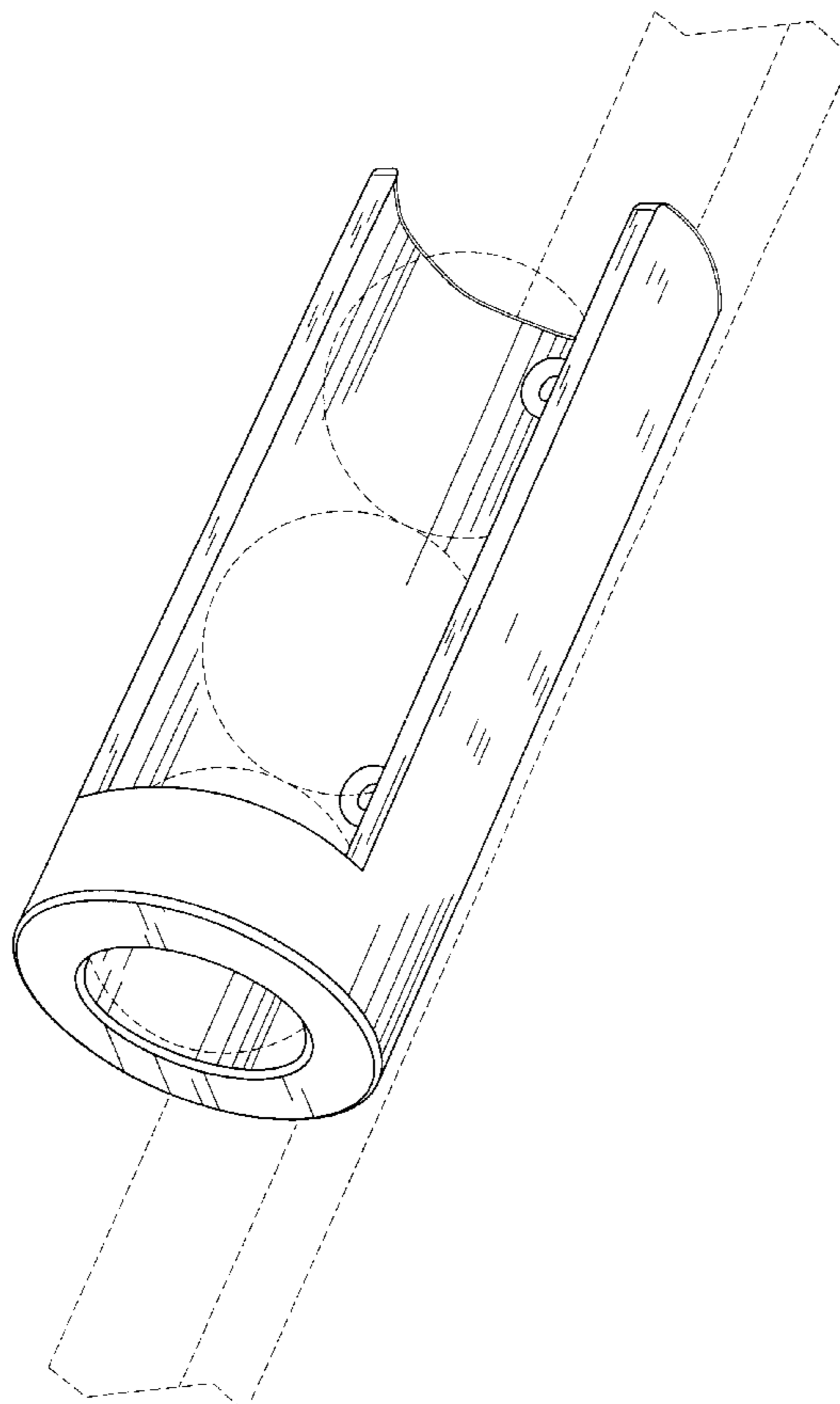
FIG. 6 is a bottom plan view thereof.

The broken lines in the figures are for illustrative purposes only and form no part of the claimed design.

* cited by examiner

Primary Examiner—Catherine R. Oliver

1 Claim, 3 Drawing Sheets



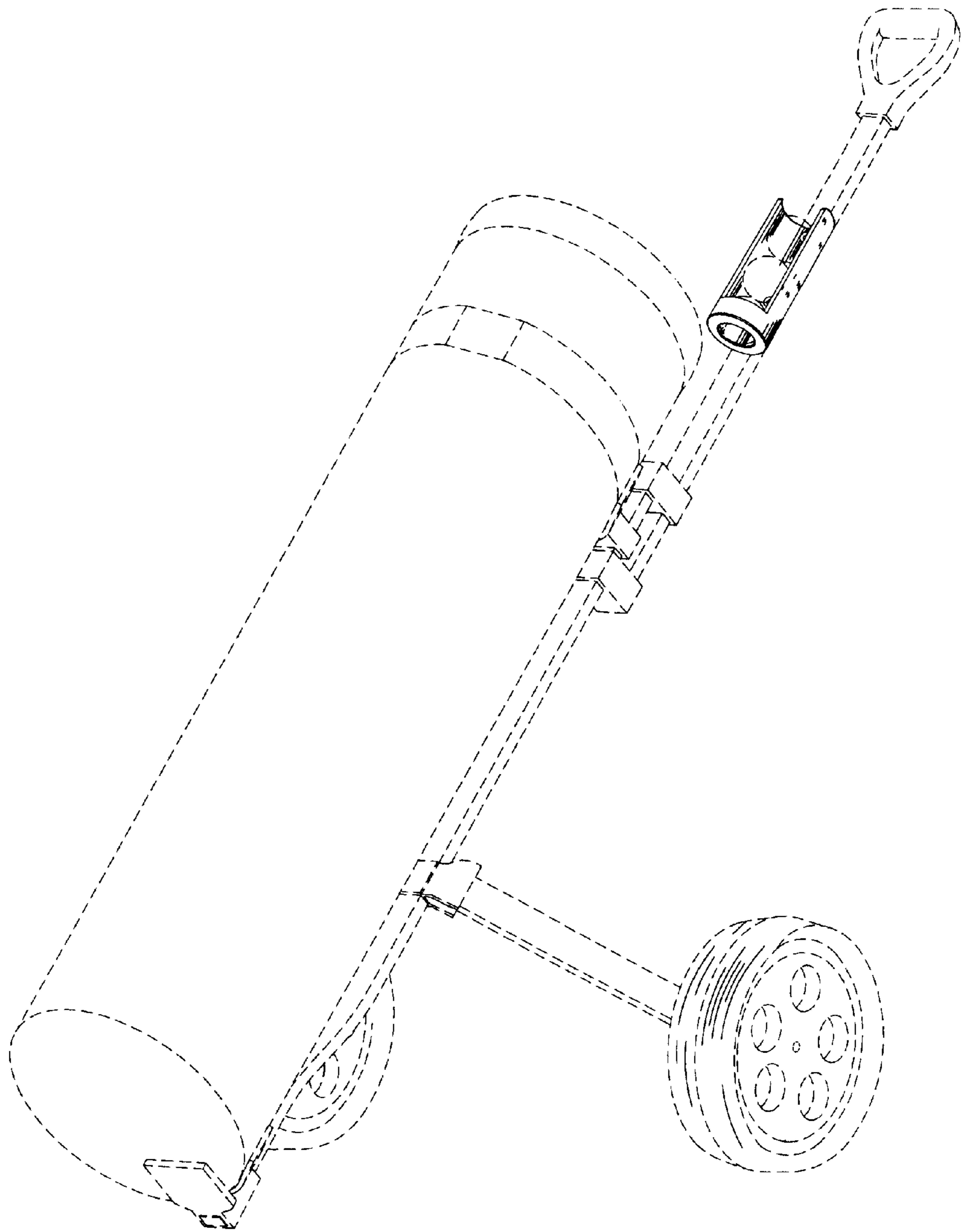


Fig. 1

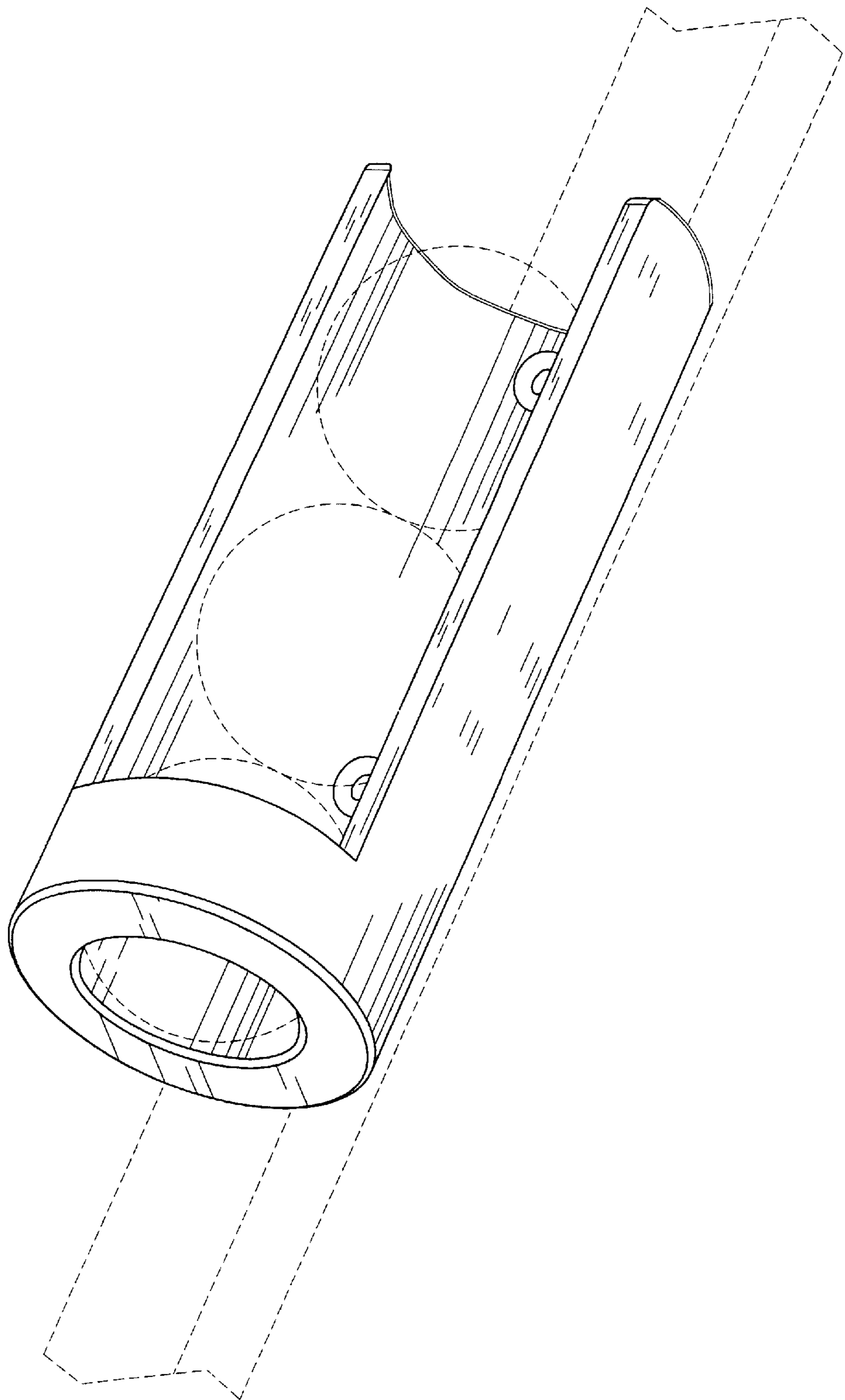


Fig. 2

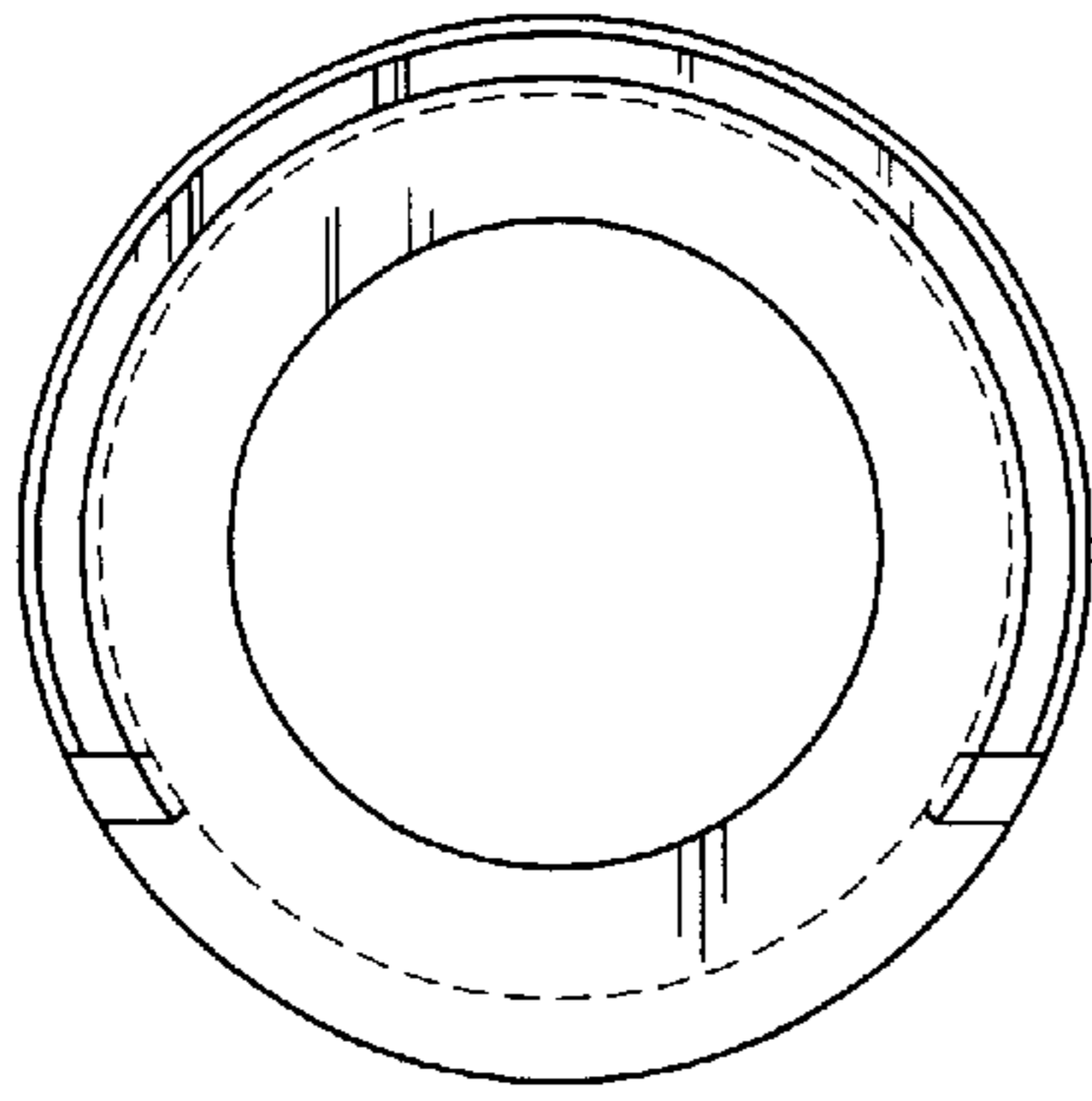


Fig. 3

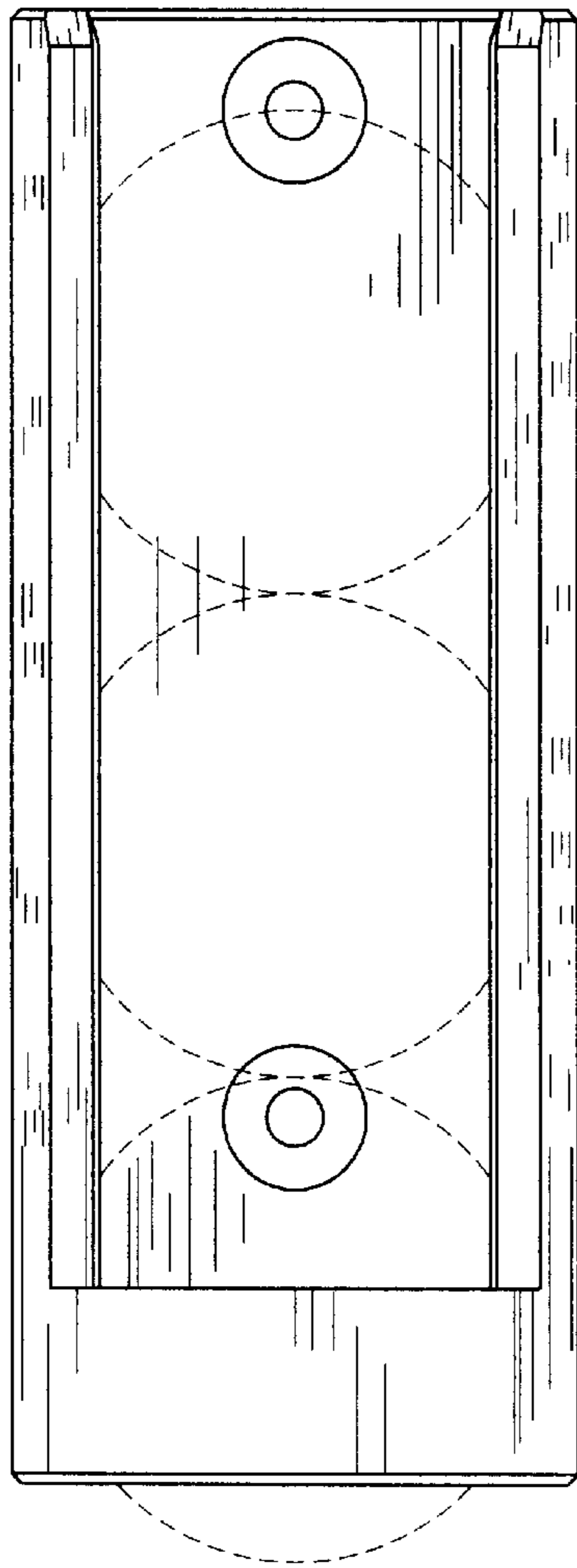


Fig. 4

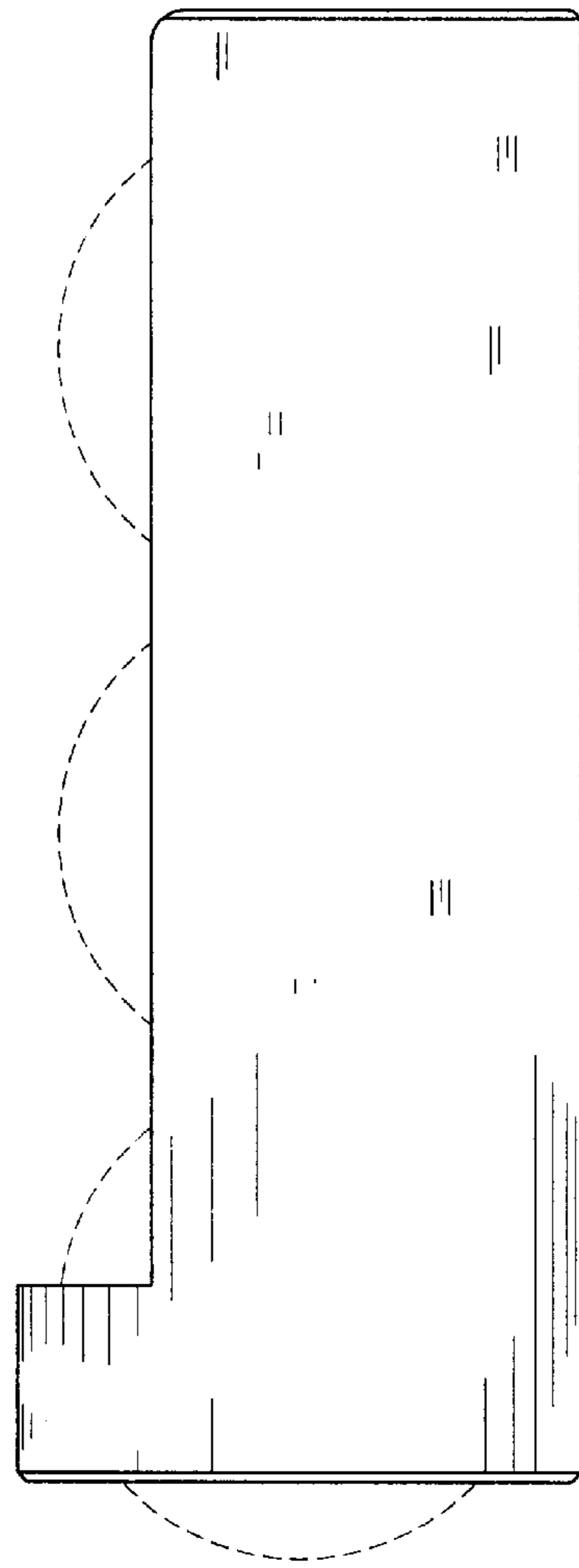


Fig. 5

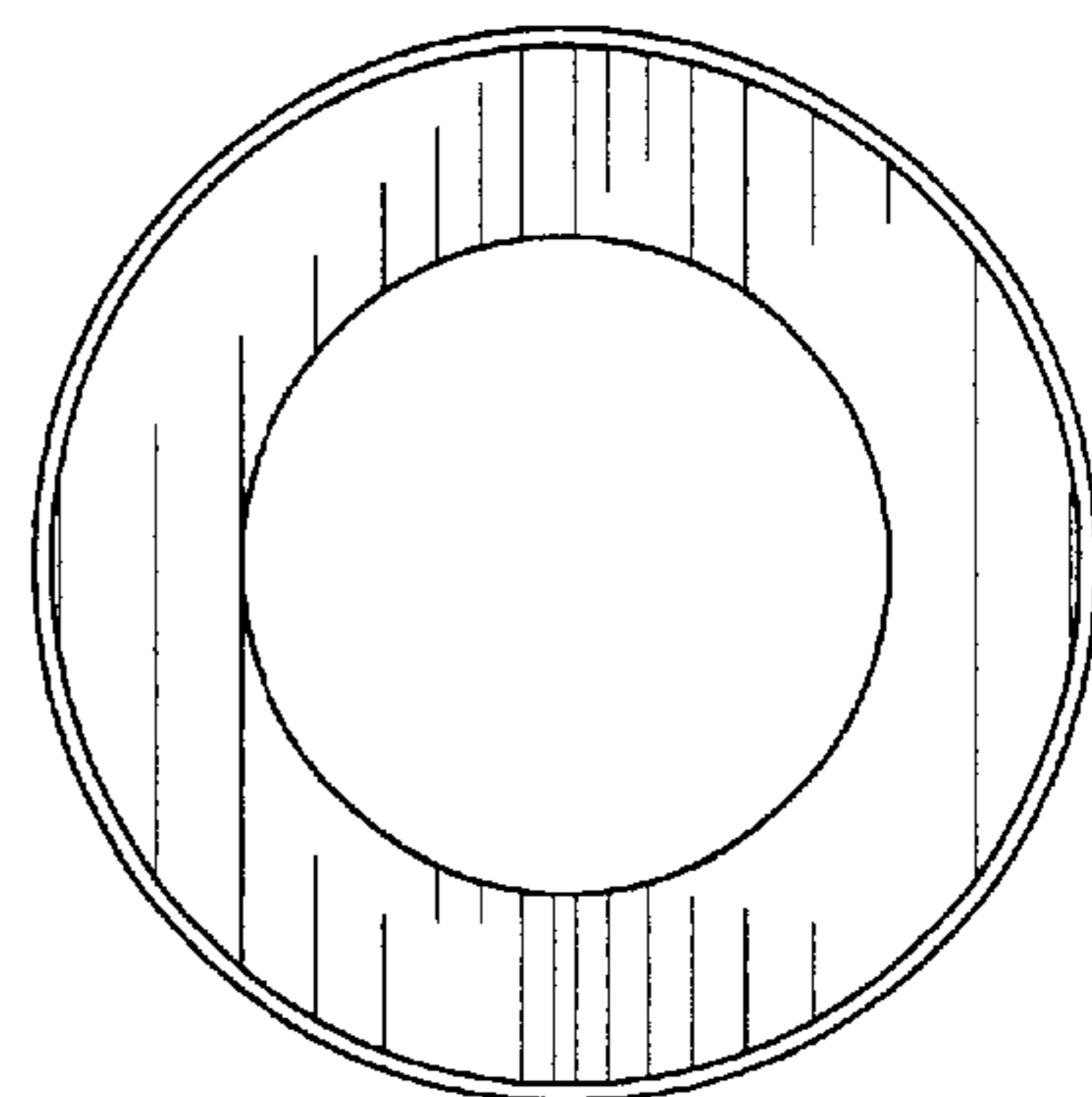


Fig. 6