



US00D460615S

(12) **United States Design Patent**  
**Hillman**

(10) **Patent No.:** **US D460,615 S**

(45) **Date of Patent:** **\*\* Jul. 23, 2002**

(54) **CASE FOR HOLDING A CAMERA AND ACCESSORIES**

Ambico Video Luggage & Photo Cases Catalog, pp. 8–10.  
Tamrac Catalog.

(75) Inventor: **Jack L. Hillman**, Colorado Springs, CO (US)

\* cited by examiner

(73) Assignee: **Case Logic, Inc.**, Longmont, CO (US)

*Primary Examiner*—Catherine R. Oliver  
(74) *Attorney, Agent, or Firm*—Sheridan Ross P.C.

(\*\*) Term: **14 Years**

(57) **CLAIM**

(21) Appl. No.: **29/137,591**

The ornamental design for a case for holding a camera and accessories, as shown and described.

(22) Filed: **Feb. 23, 2001**

**DESCRIPTION**

(51) **LOC (7) Cl.** ..... **03-01**

(52) **U.S. Cl.** ..... **D3/219; D3/268**

(58) **Field of Search** ..... D3/268, 283, 287,  
D3/219; 224/908, 909; 206/316.2; 190/109,  
111; 150/112

FIG. 1 is a front perspective view of a case for holding a camera and accessories showing my new design, the broken lines depicting environment and forming no part of the claimed design;

FIG. 2 is a front elevation view of the invention illustrated in FIG. 1;

FIG. 3 is a rear elevation view of the invention illustrated in FIG. 1;

FIG. 4 is a right elevation view of the invention illustrated in FIG. 1;

FIG. 5 is a left elevation view of the invention illustrated in FIG. 1;

FIG. 6 is a top plan view of the invention illustrated in FIG. 1; and,

FIG. 7 is a bottom plan view of the invention illustrated in FIG. 1.

(56) **References Cited**

**U.S. PATENT DOCUMENTS**

D273,533 S	*	4/1984	Weinreb	.....	D3/268
D312,530 S	*	12/1990	Gallen et al.	.....	D3/268
D318,948 S	*	8/1991	Nordstrom	.....	D3/268
D325,128 S	*	4/1992	Cyr et al.	.....	D3/283
D340,574 S	*	10/1993	Weinreb	.....	D3/268

**OTHER PUBLICATIONS**

Case Logic Catalog—Photo/Video Section, 2000.  
Case Logic Catalog—Spring 2000—Photo/Video Section.  
Lowpro2000 Catalog.

**1 Claim, 4 Drawing Sheets**

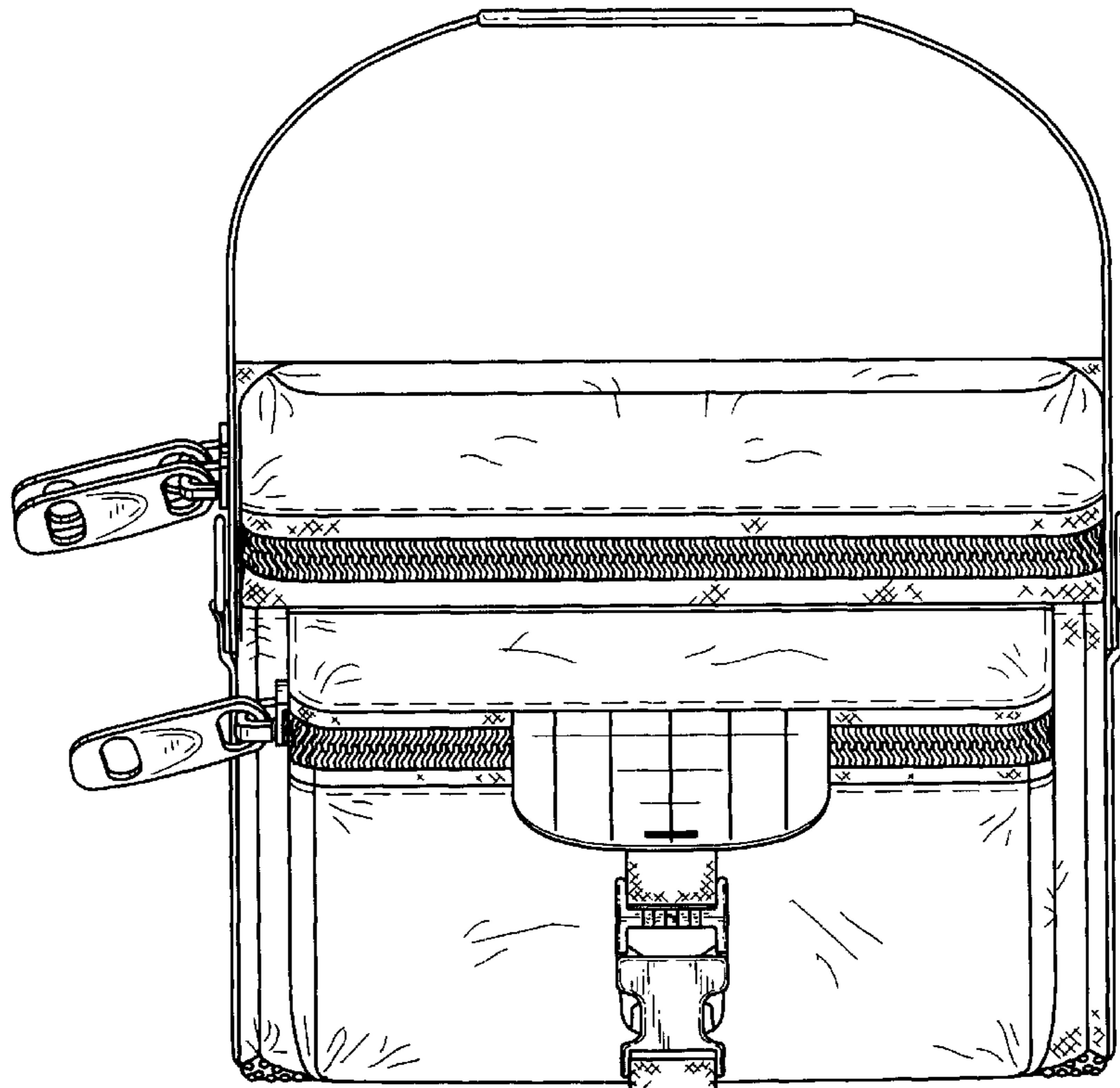




FIG.1

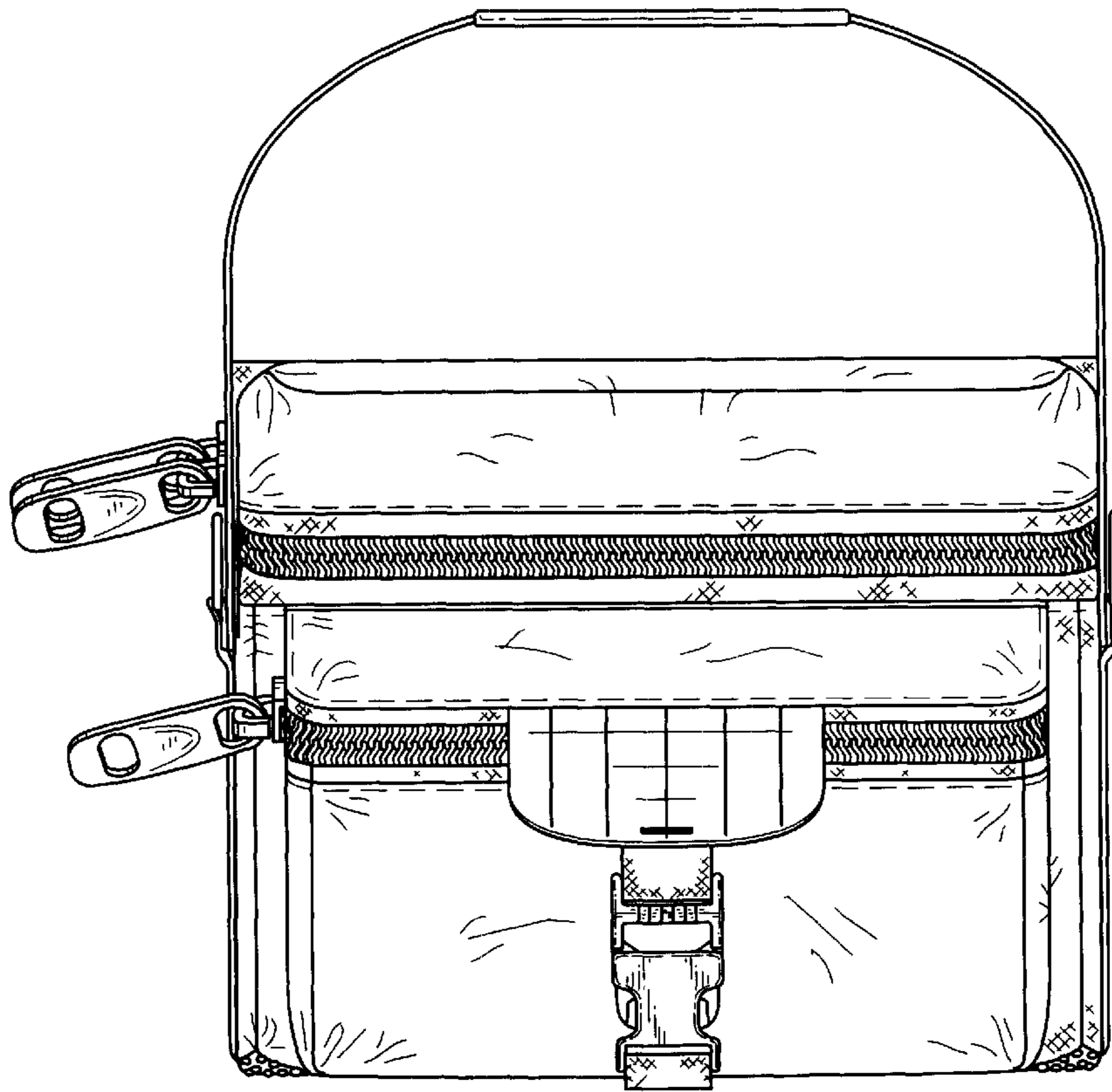


FIG. 2

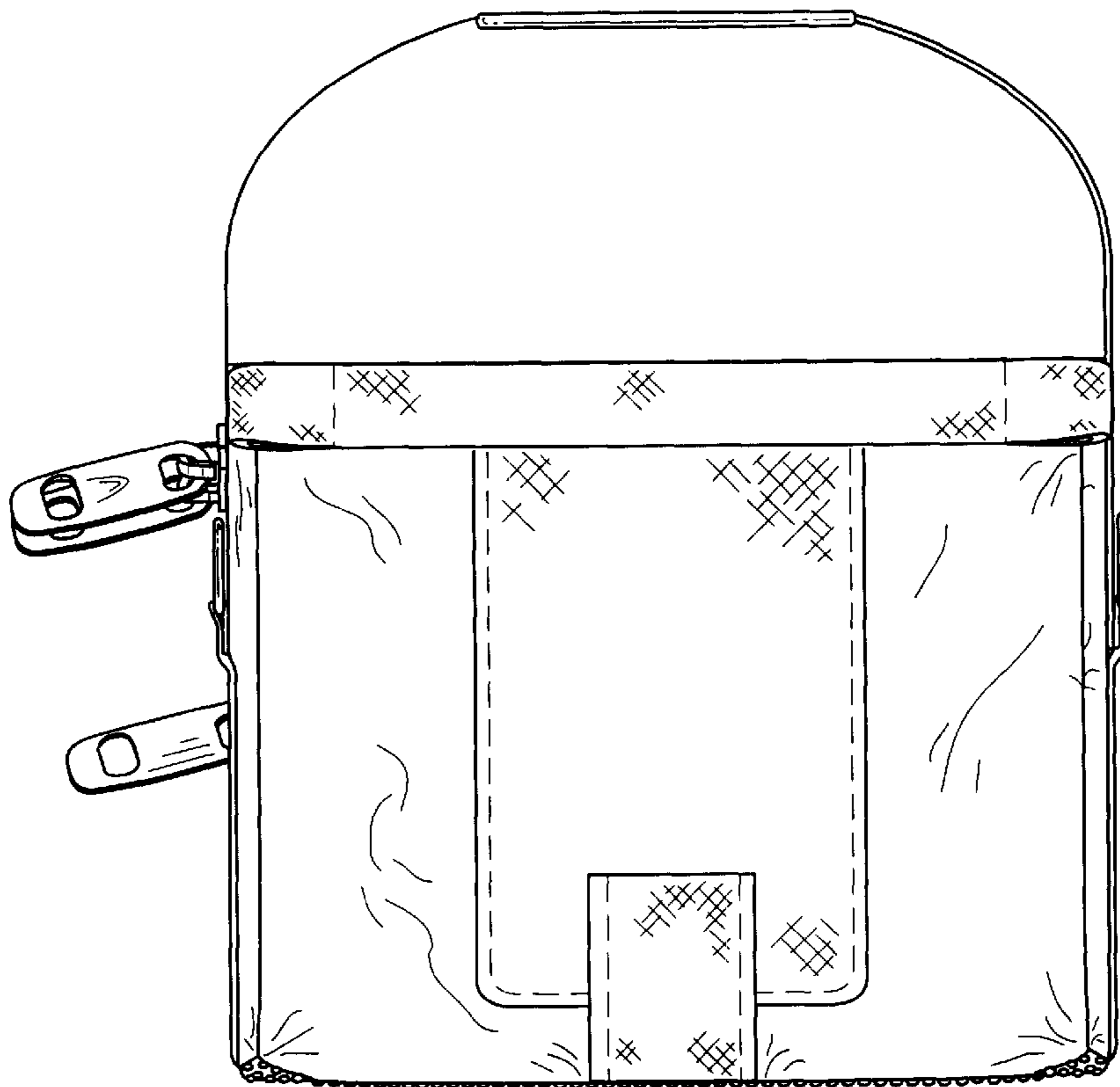


FIG. 3



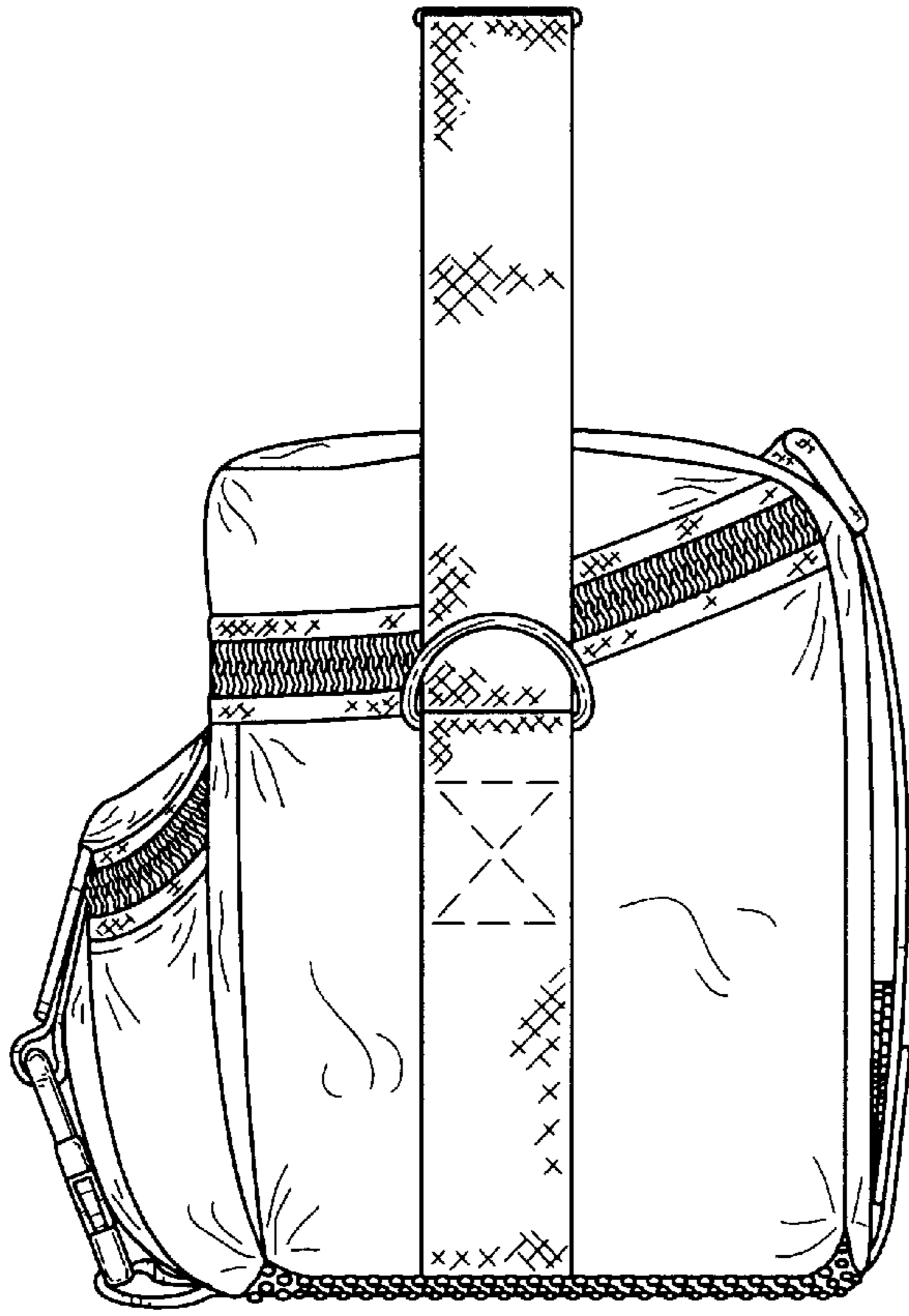


FIG. 4

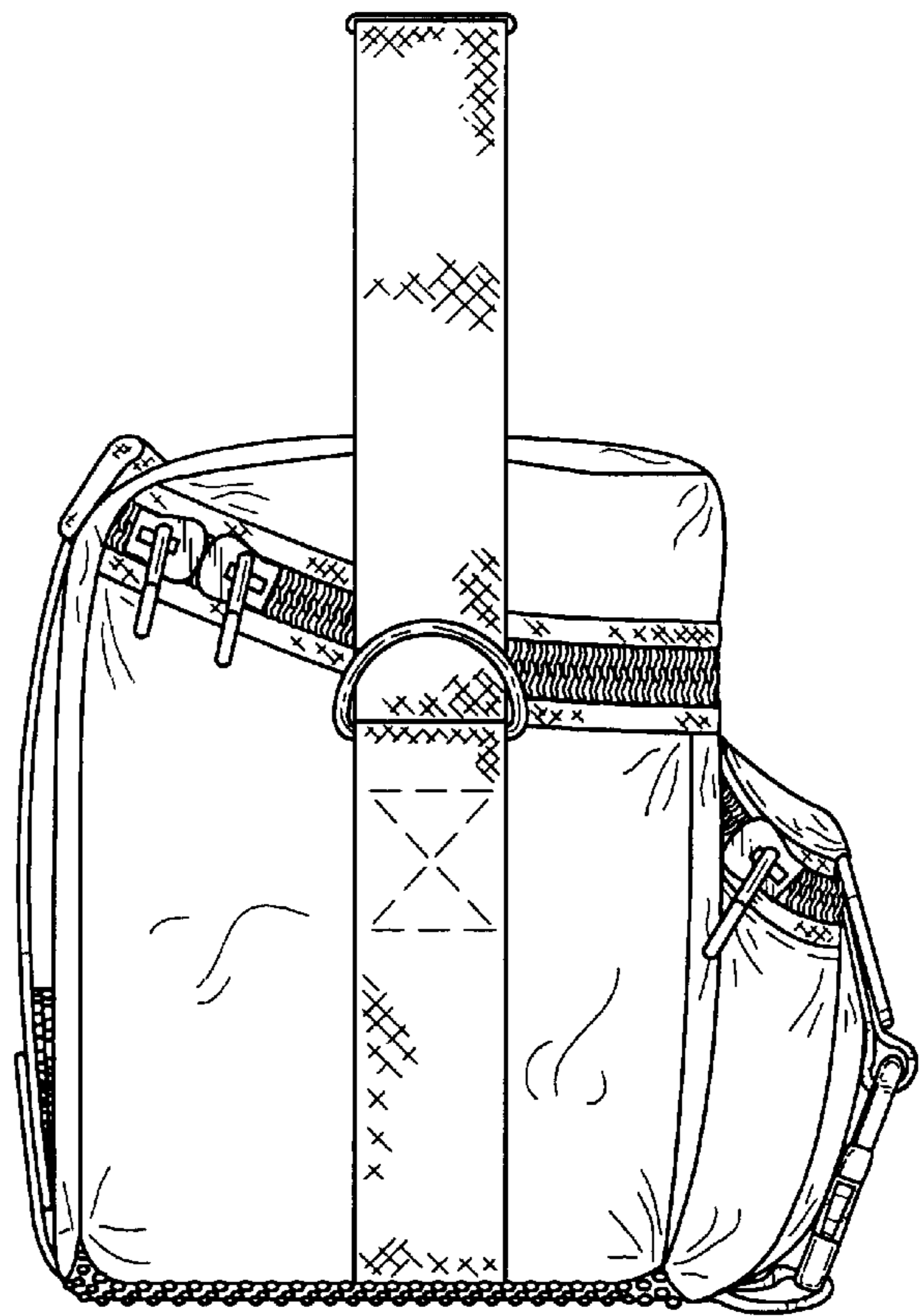


FIG. 5

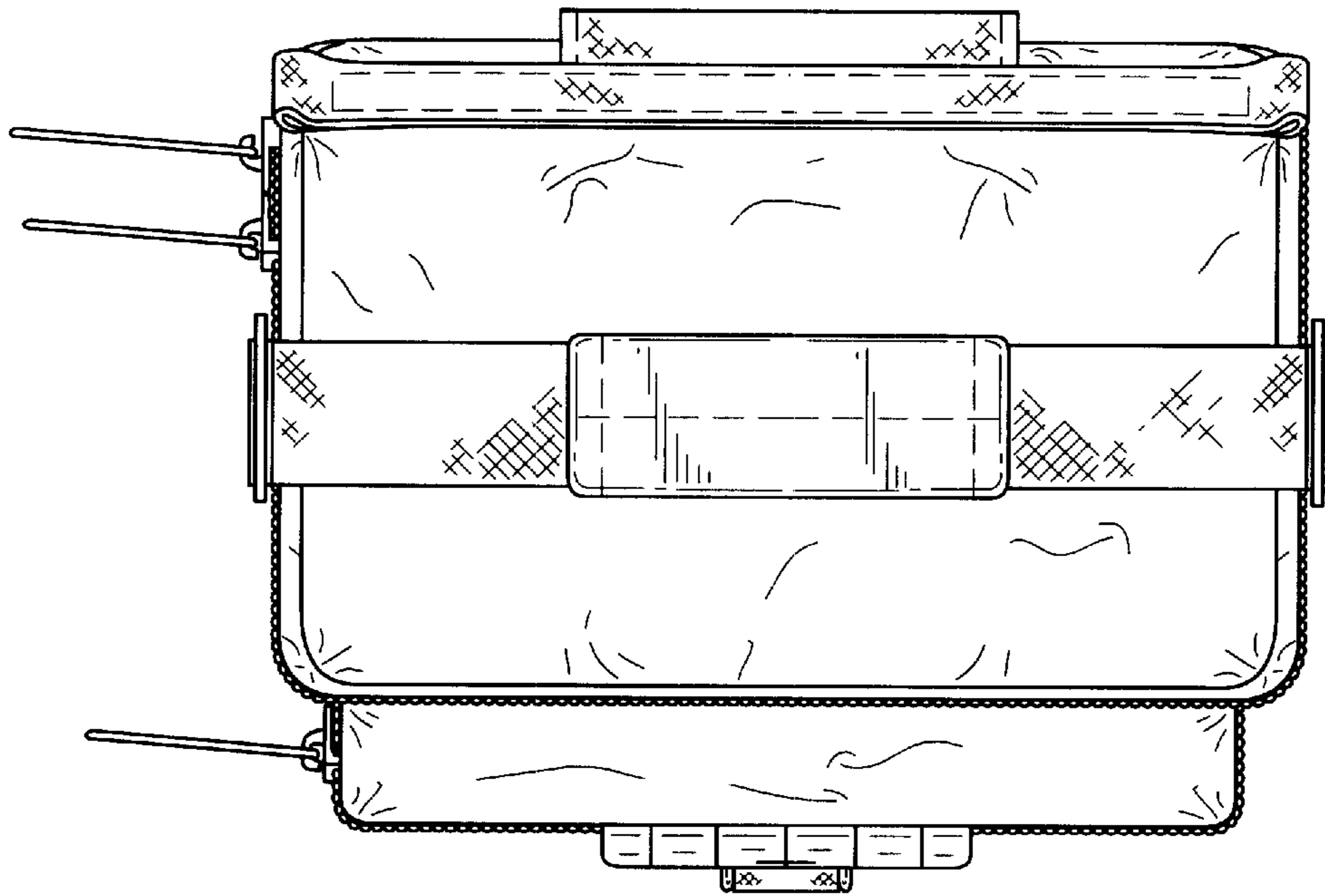


FIG. 6

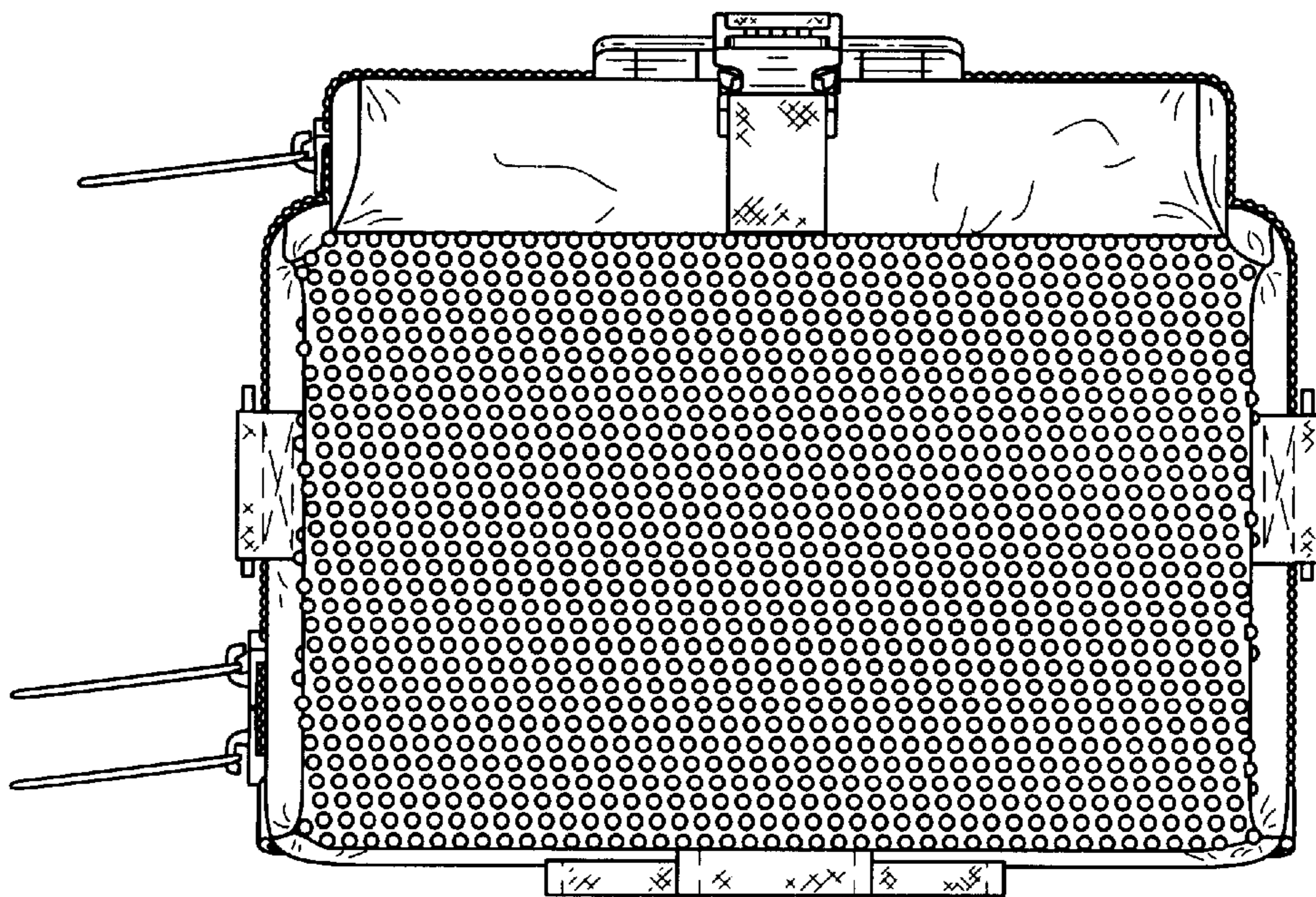


FIG. 7