



US00D460613S

(12) **United States Design Patent**
Stafford

(10) **Patent No.:** **US D460,613 S**

(45) **Date of Patent:** **** Jul. 23, 2002**

(54) **SPINNING SPOOL WINDER**

(76) Inventor: **Edward C. Stafford**, 322 Englewood Dr., Crawfordsville, IN (US) 47933

(**) Term: **14 Years**

(21) Appl. No.: **29/147,321**

(22) Filed: **Aug. 27, 2001**

(51) **LOC (7) Cl.** **02-07**

(52) **U.S. Cl.** **D3/24**

(58) **Field of Search** D/24, 23, 18, 20;
242/370, 570, 118, 600, 134-140; 223/106;
211/181

(56) **References Cited**

U.S. PATENT DOCUMENTS

1,061,590	A	*	5/1913	Bennet	D3/24	X
D45,914	S	*	6/1914	McCkesney	D3/24	X
2,241,891	A	*	5/1941	Sollie	242/139	
4,469,289	A	*	9/1984	Gebo	242/139	
4,752,047	A	*	6/1988	Franks, Jr.	242/139	
D381,802	S	*	8/1997	DiResta	D3/24	
5,690,301	A	*	11/1997	Shelton et al.	242/139	
D411,344	S	*	6/1999	Ovalle	D3/24	

* cited by examiner

Primary Examiner—Prabhakar Deshmukh

(74) *Attorney, Agent, or Firm*—Woodard, Emhardt, Naughton, Moriarty & McNett

(57) **CLAIM**

The ornamental design for a spinning spool winder, as shown and described.

DESCRIPTION

FIG. 1 is a perspective view of one embodiment of a spinning spool winder according to the present invention.

FIG. 2 is a front elevated view of the spinning spool winder of FIG. 1.

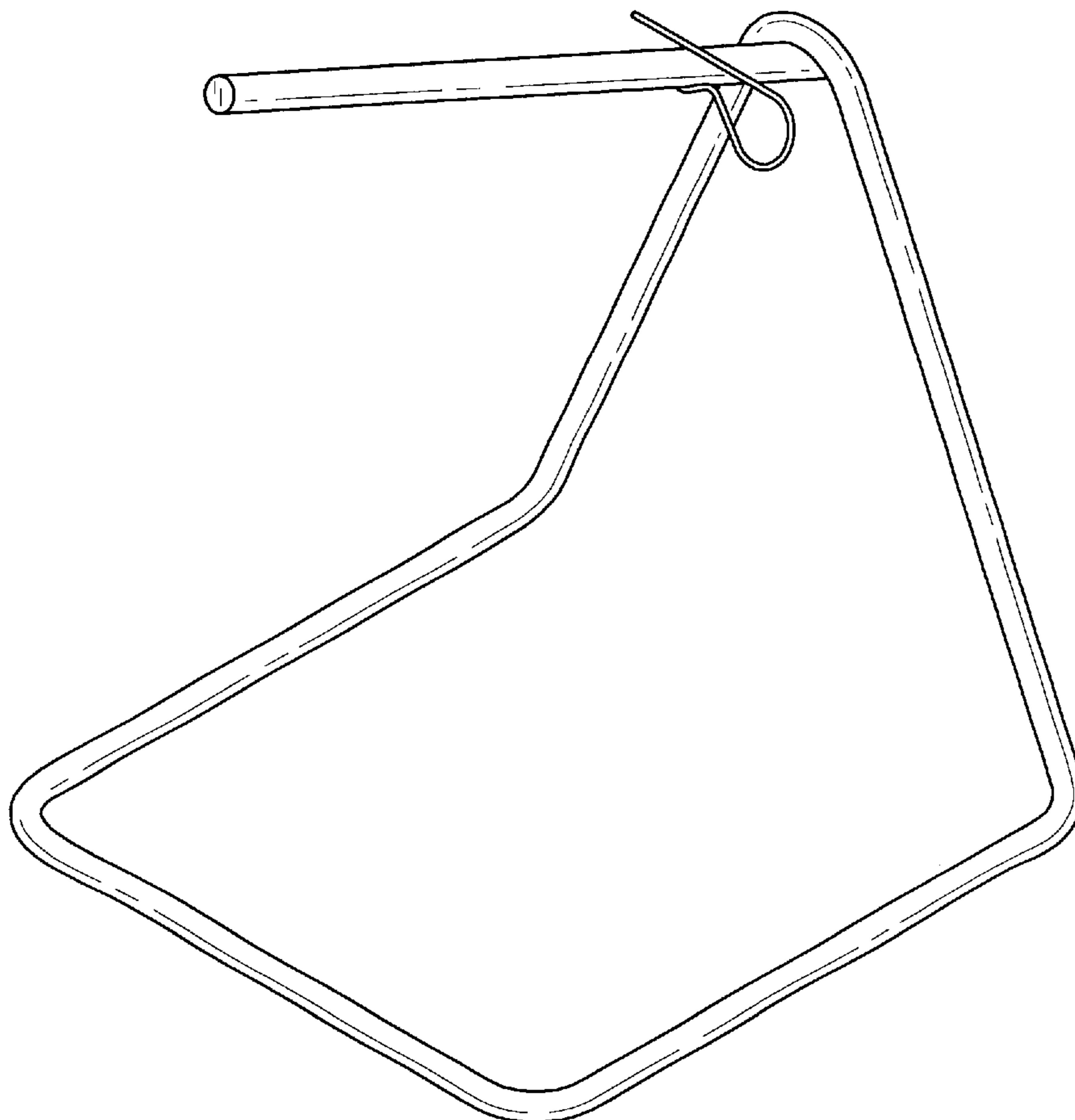
FIG. 3 is an elevated back view of the spinning spool winder of FIG. 1.

FIG. 4 is an elevated side view of the spinning spool winder of FIG. 1; and,

FIG. 5 is a perspective view of the spinning spool winder of FIG. 1 shown in its environmental use.

The broken line showing of a spool in FIG. 5 is for illustrative purpose only and forms no part of the claimed design.

1 Claim, 5 Drawing Sheets



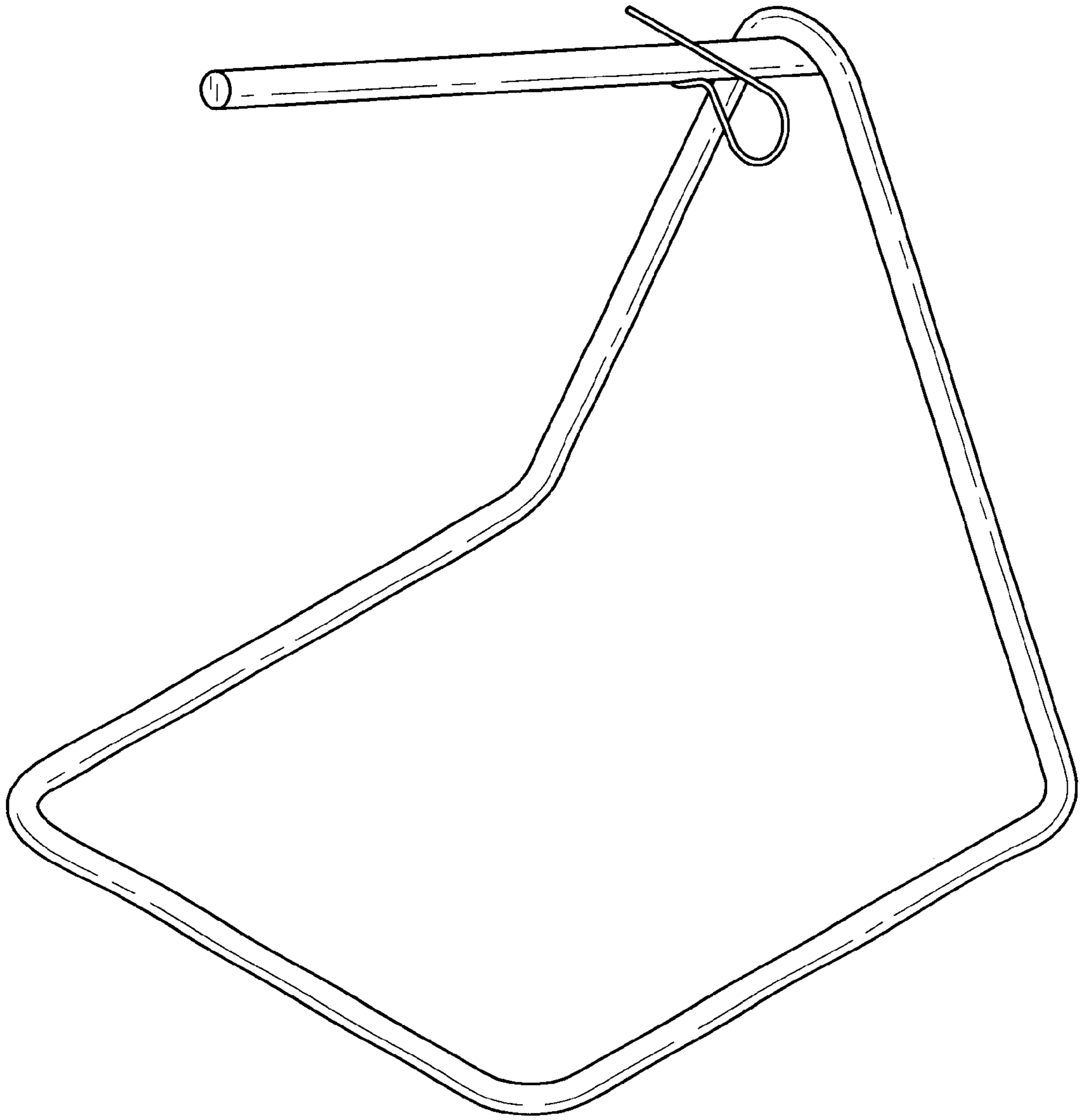


Fig. 1

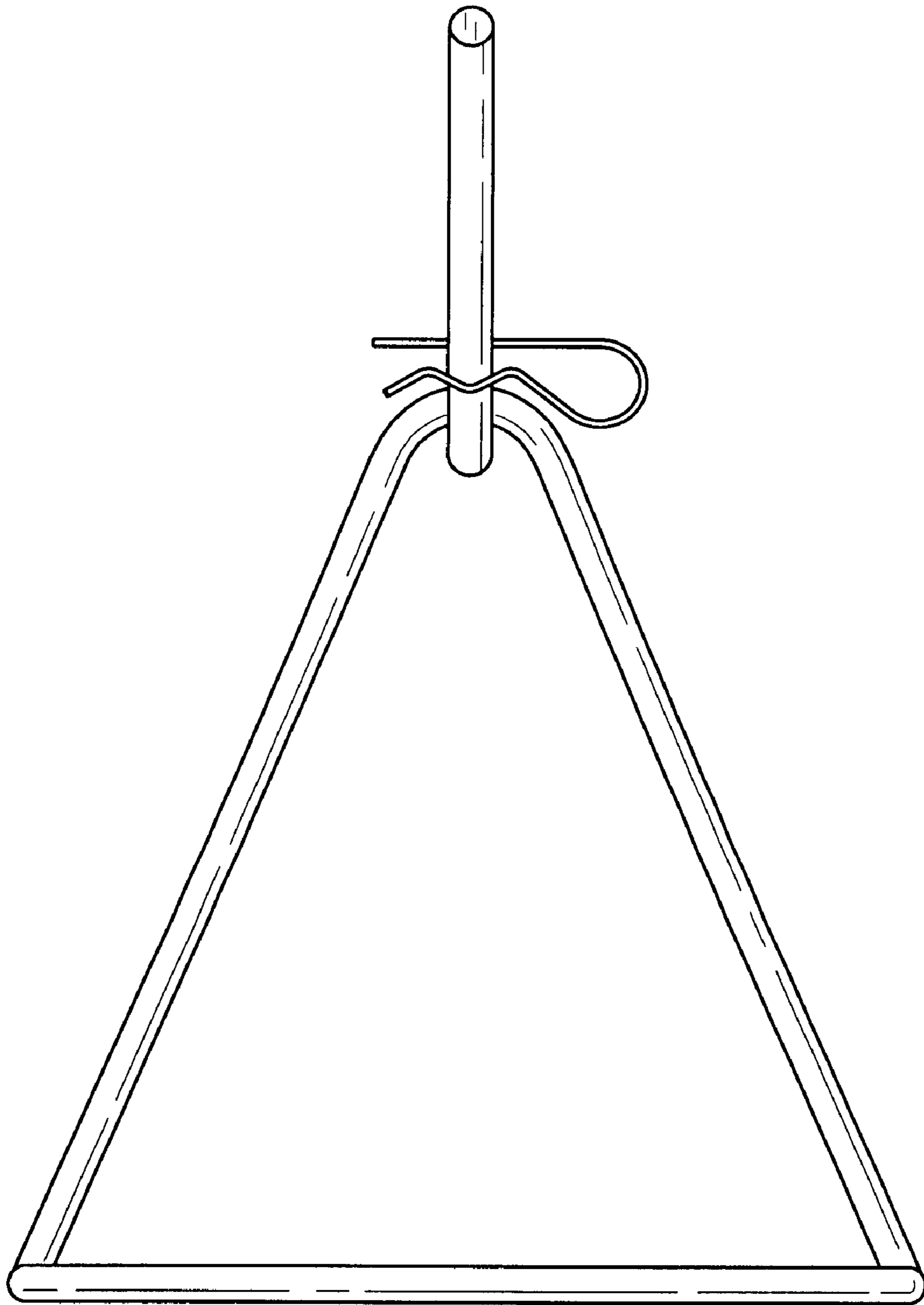


Fig. 2

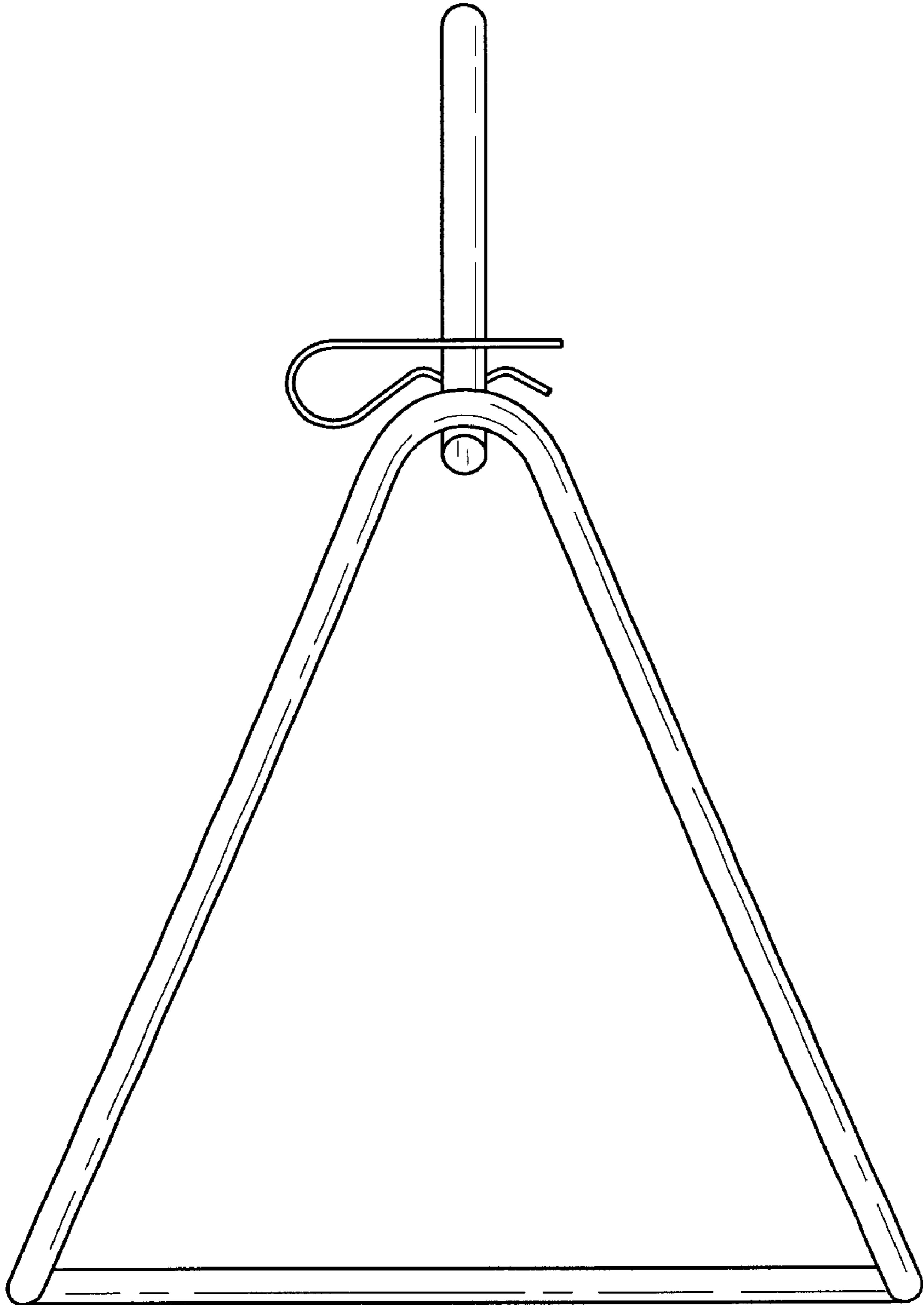


Fig. 3

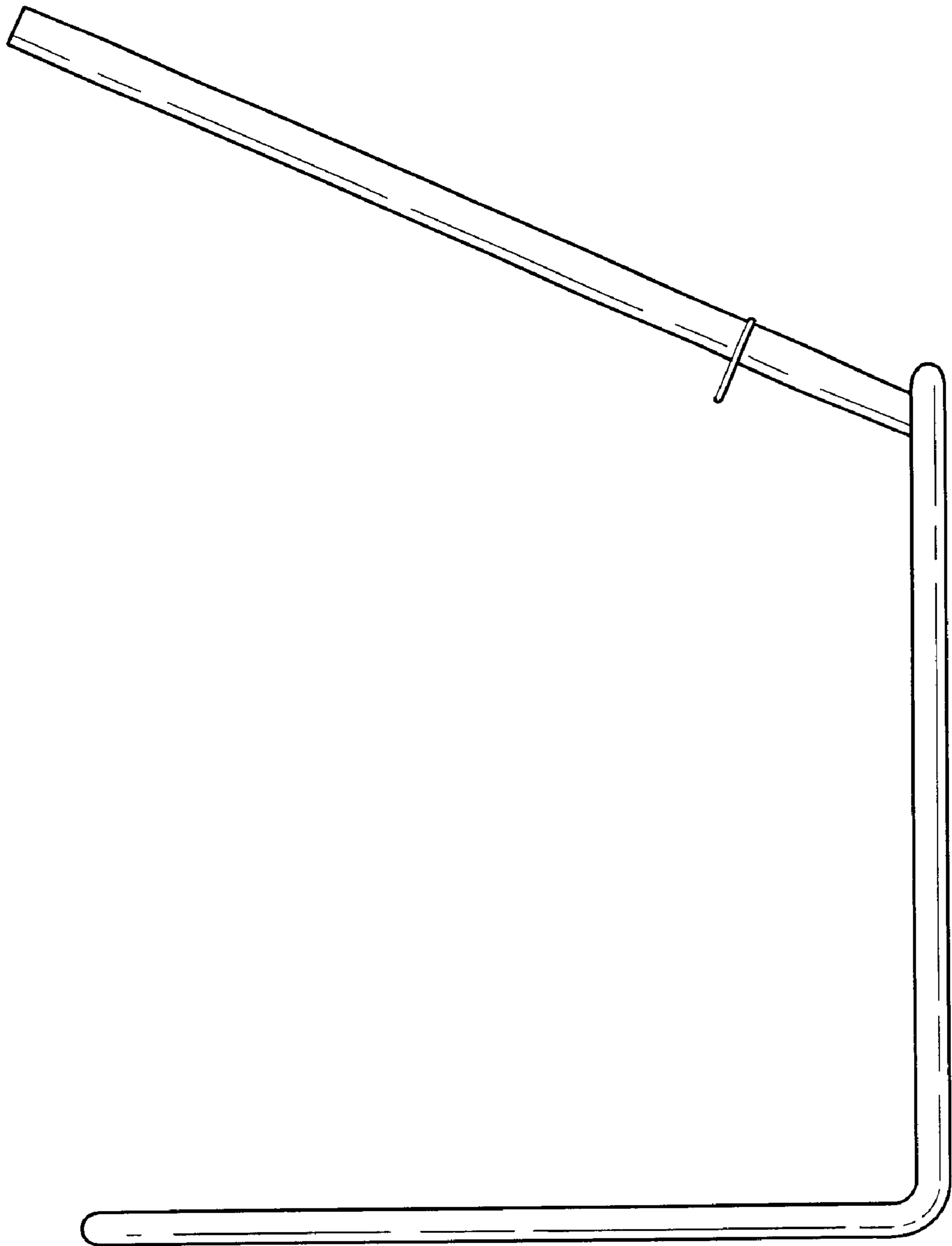


Fig. 4

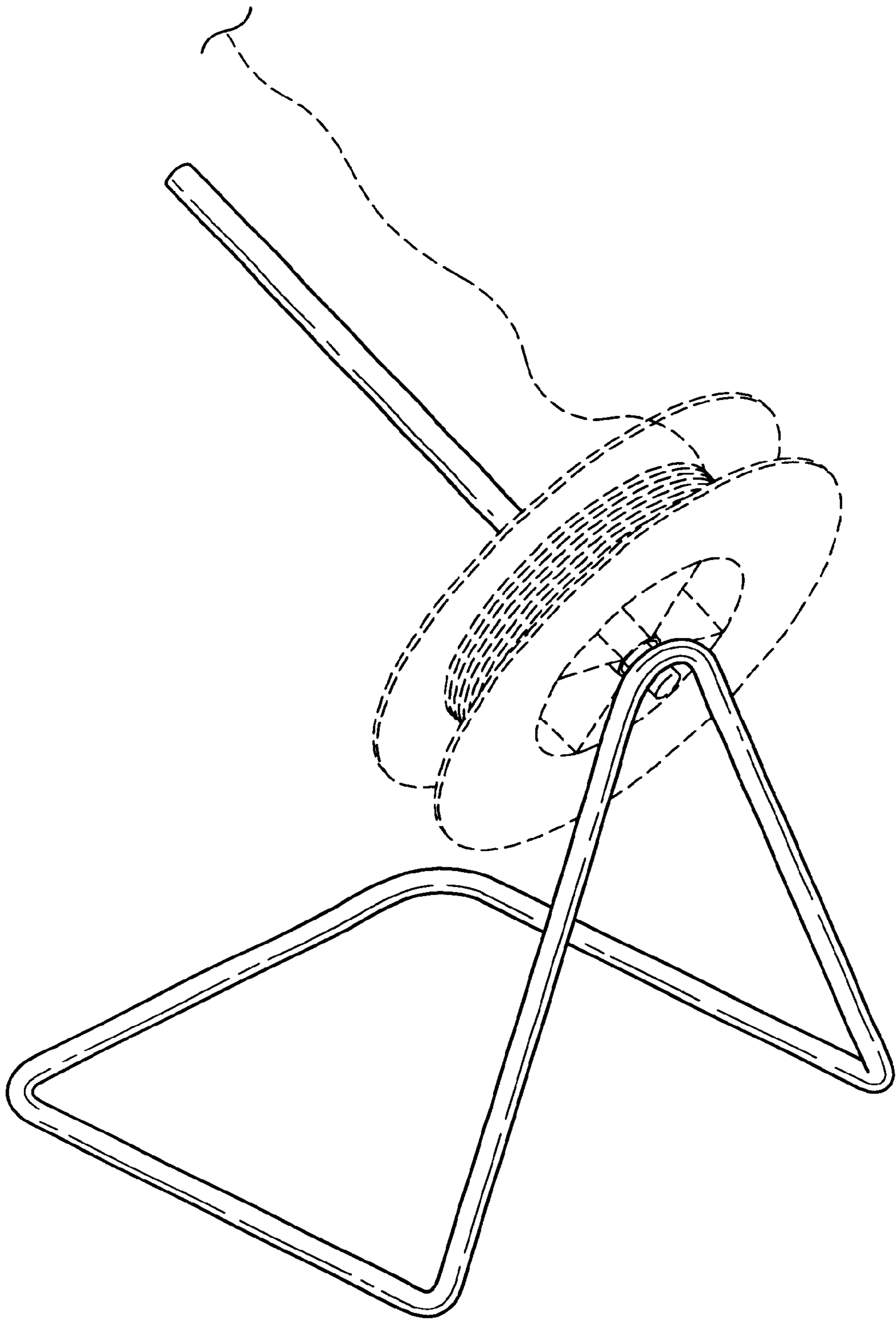


Fig. 5