



US00D460599S

(12) **United States Design Patent**  
**Wrob**

(10) **Patent No.:** **US D460,599 S**

(45) **Date of Patent:** **\*\* Jul. 16, 2002**

(54) **FISHING LURE SHAPED MAILBOX**

(75) Inventor: **Patrick J. Wrob**, St. Clair, MO (US)

(73) Assignee: **Rocking P. Inc.**, St. Clair, MO (US)

(\*\*) Term: **14 Years**

(21) Appl. No.: **29/143,723**

(22) Filed: **Jun. 19, 2001**

(51) **LOC (7) Cl.** ..... **99-00**

(52) **U.S. Cl.** ..... **D99/30**

(58) **Field of Search** ..... D99/29, 30, 31,  
D99/32, 33; 232/17, 19, 20, 27, 39; D22/126;  
43/42.45

(56) **References Cited**

**U.S. PATENT DOCUMENTS**

D177,176 S	*	3/1956	Hege	.....	D22/126
D334,964 S	*	4/1993	Silks	.....	D22/126
D432,754 S		10/2000	Masciovecchio		
D439,723 S	*	3/2001	Avery	.....	D99/30

\* cited by examiner

*Primary Examiner*—Paula A. Mortimer

(74) *Attorney, Agent, or Firm*—Thompson Coburn LLP

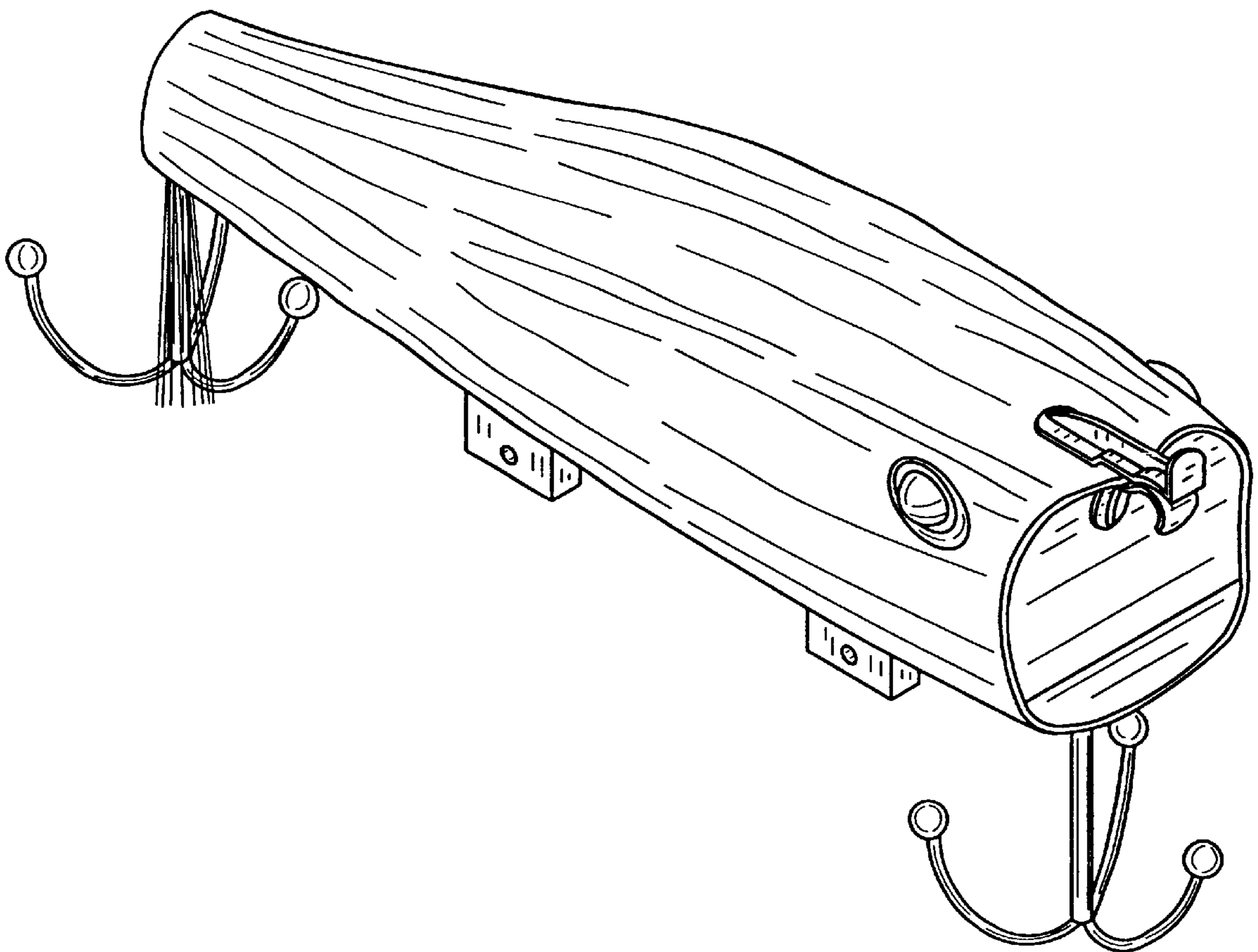
(57) **CLAIM**

The ornamental design for a fishing lure shaped mailbox, as shown and described.

**DESCRIPTION**

FIG. 1 is a perspective view of the preferred embodiment of a mailbox showing my new design;  
 FIG. 2 is a front elevation view of the mailbox of FIG. 1;  
 FIG. 3 is a left elevation view of the mailbox of FIG. 1;  
 FIG. 4 is a right elevation view of the mailbox of FIG. 1;  
 FIG. 5 is a top plan view of the mailbox of FIG. 1;  
 FIG. 6 is a bottom plan view of the mailbox of FIG. 1;  
 FIG. 7 is a rear elevation view of the mailbox of FIG. 1;  
 FIG. 8 is a perspective view of an alternative embodiment of a mailbox showing my new design;  
 FIG. 9 is a front elevation view of the mailbox of FIG. 8;  
 FIG. 10 is a left elevation view of the mailbox of FIG. 8;  
 FIG. 11 is right elevation view of the mailbox of FIG. 8;  
 FIG. 12 is a top plan view of the mailbox of FIG. 8;  
 FIG. 13 is a bottom plan view of the mailbox of FIG. 8; and,  
 FIG. 14 is a rear elevation view of the mailbox of FIG. 8.

**1 Claim, 6 Drawing Sheets**



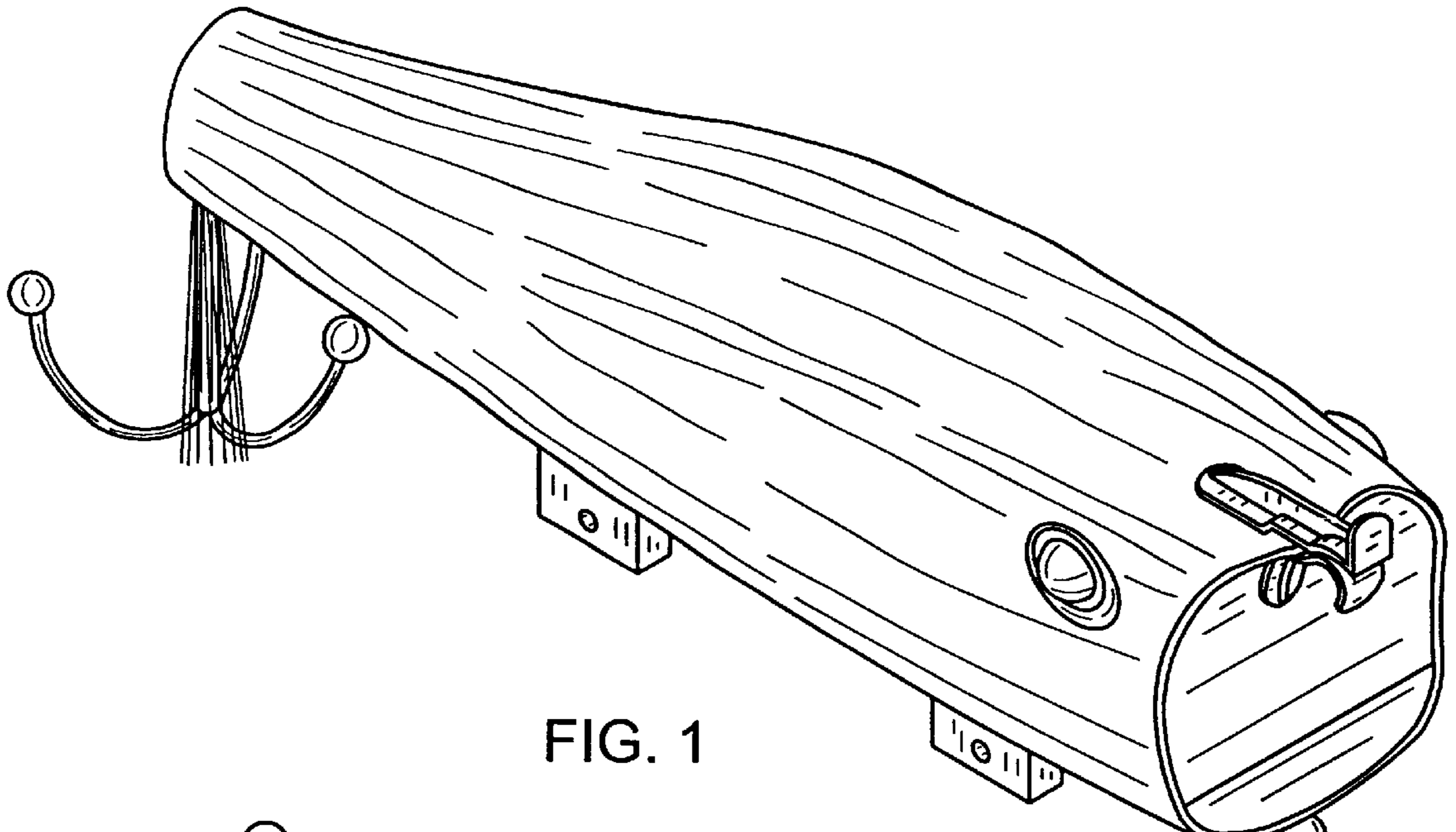


FIG. 1

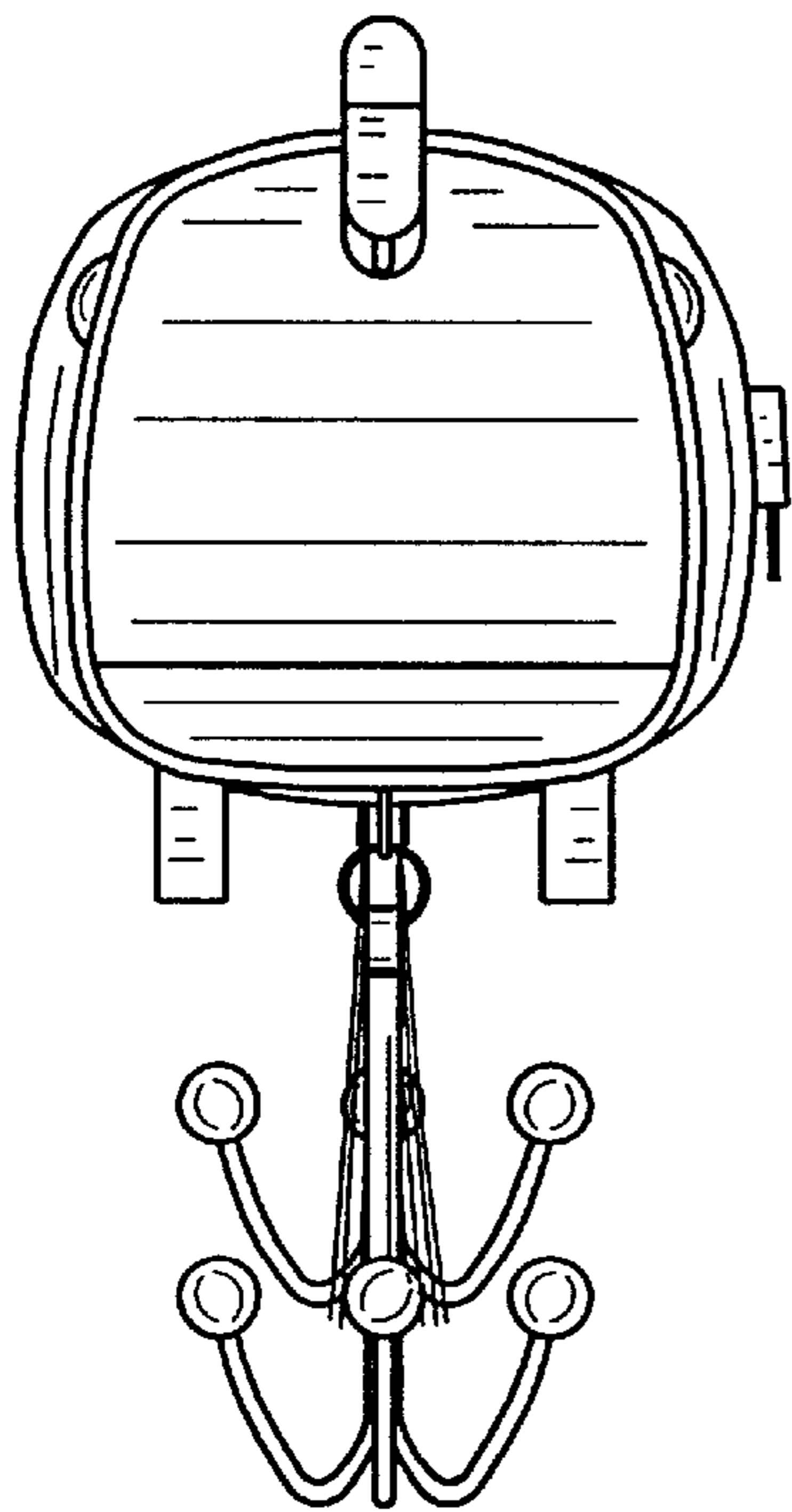


FIG. 2

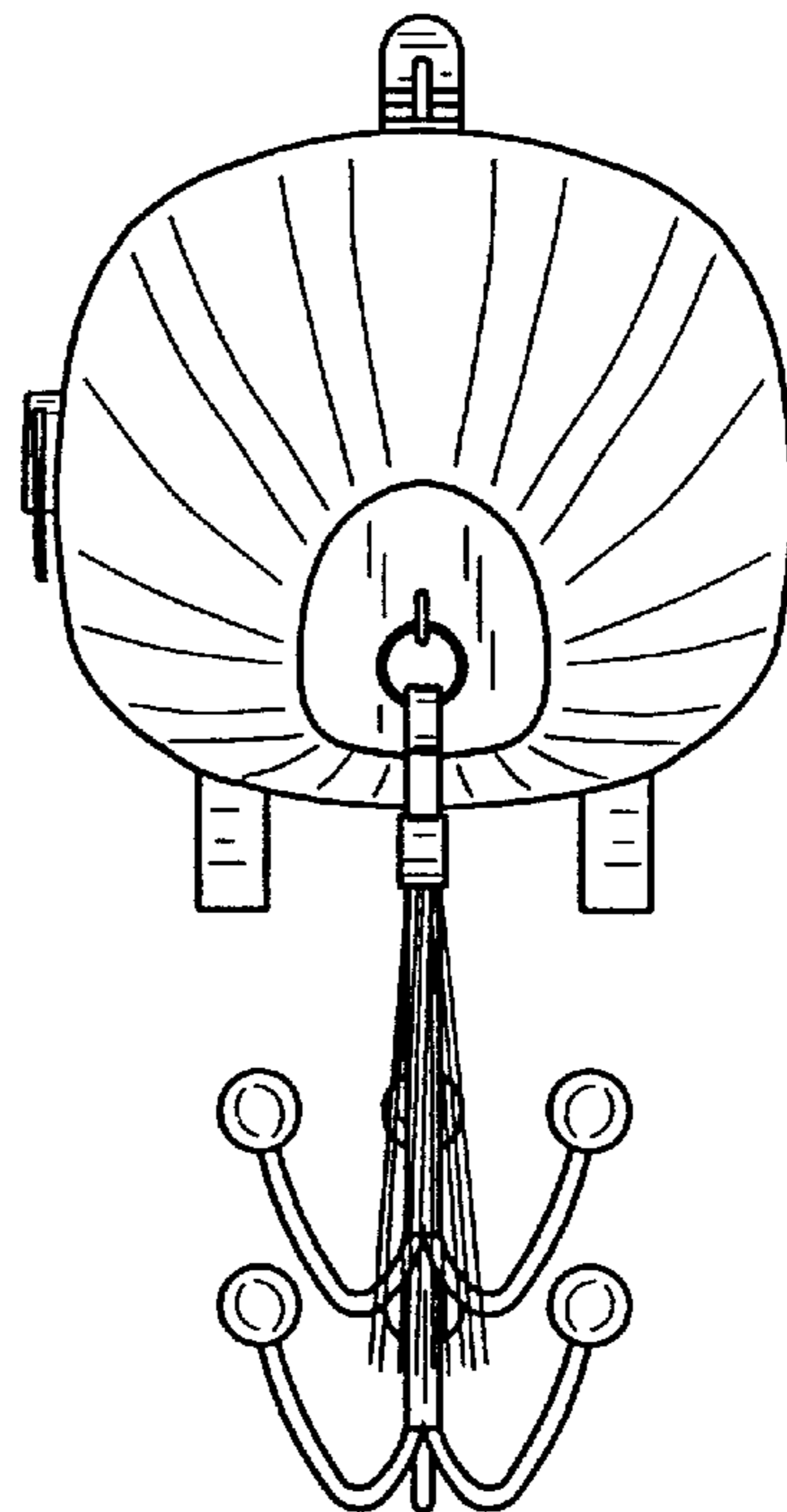


FIG. 7

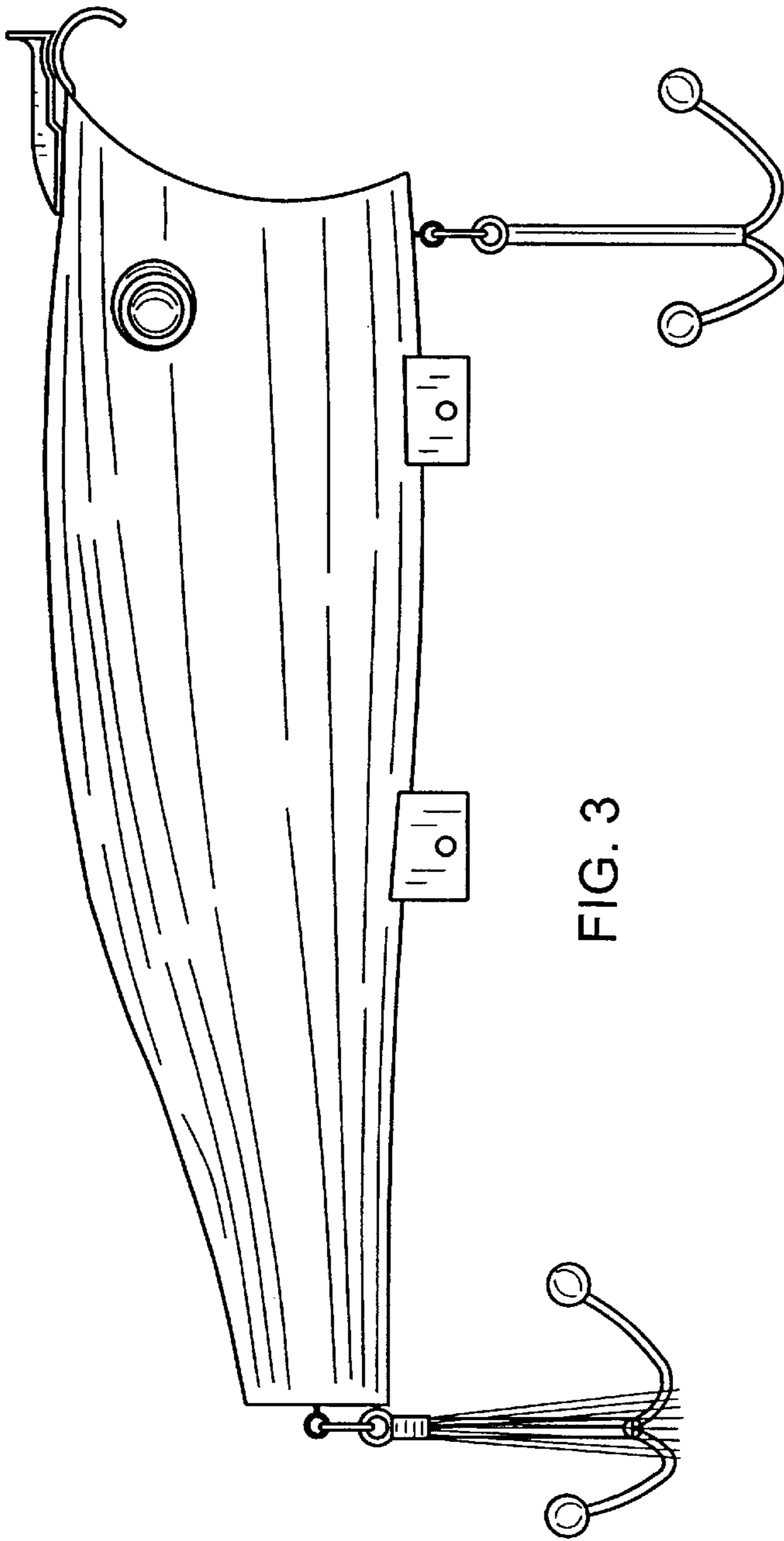


FIG. 3

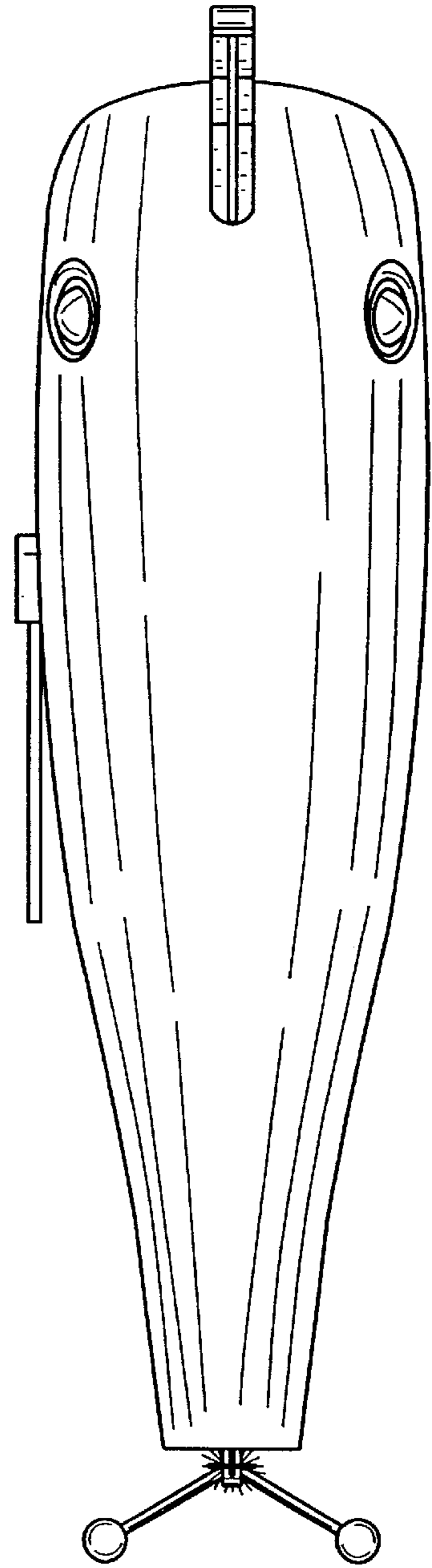


FIG. 5

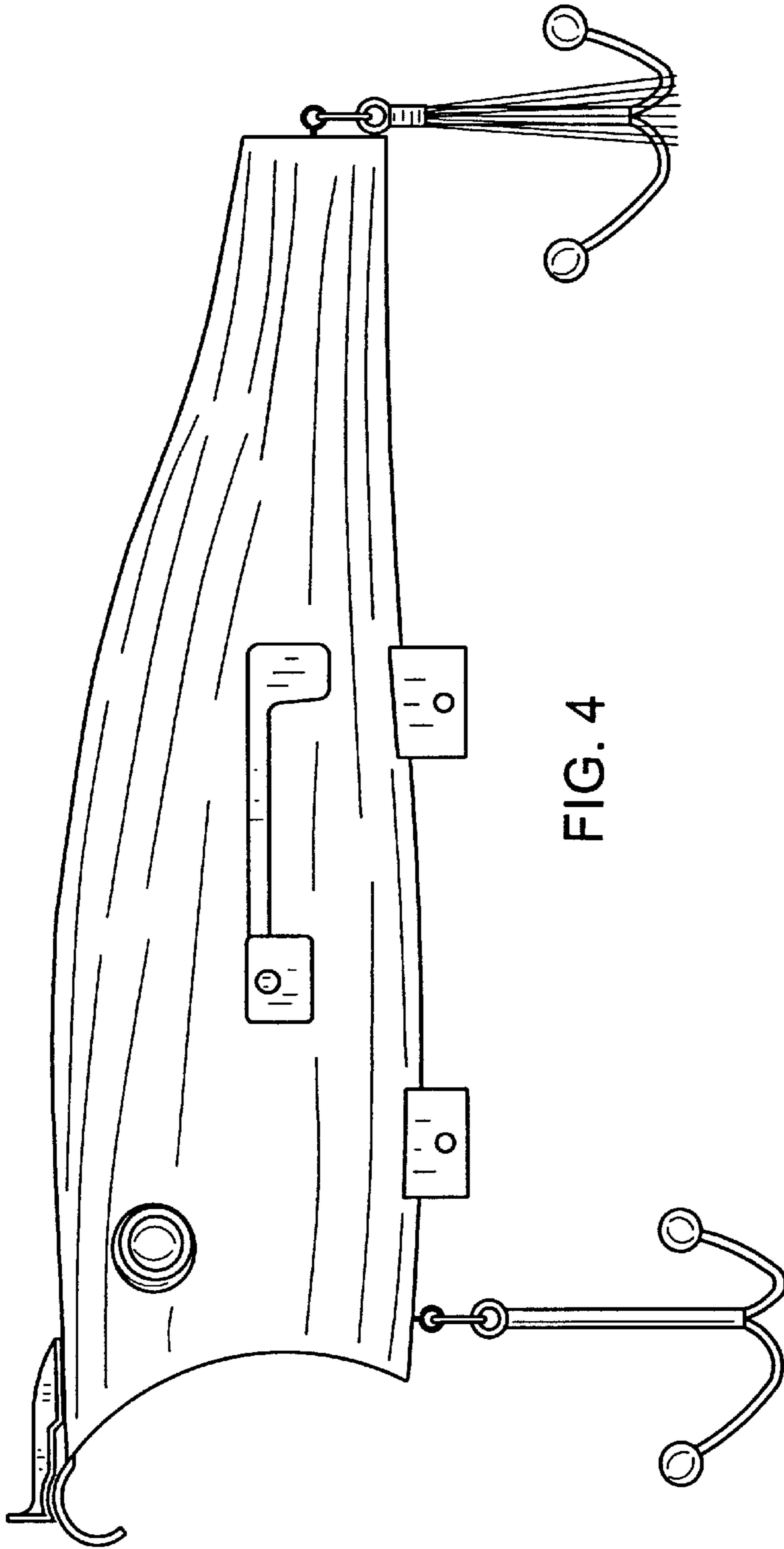


FIG. 4

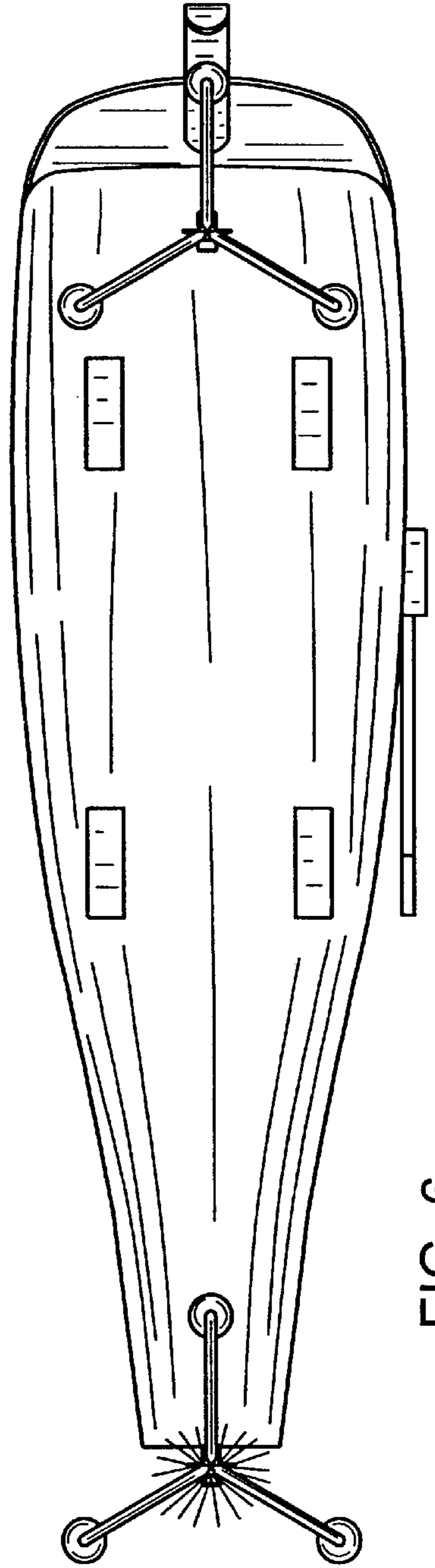


FIG. 6

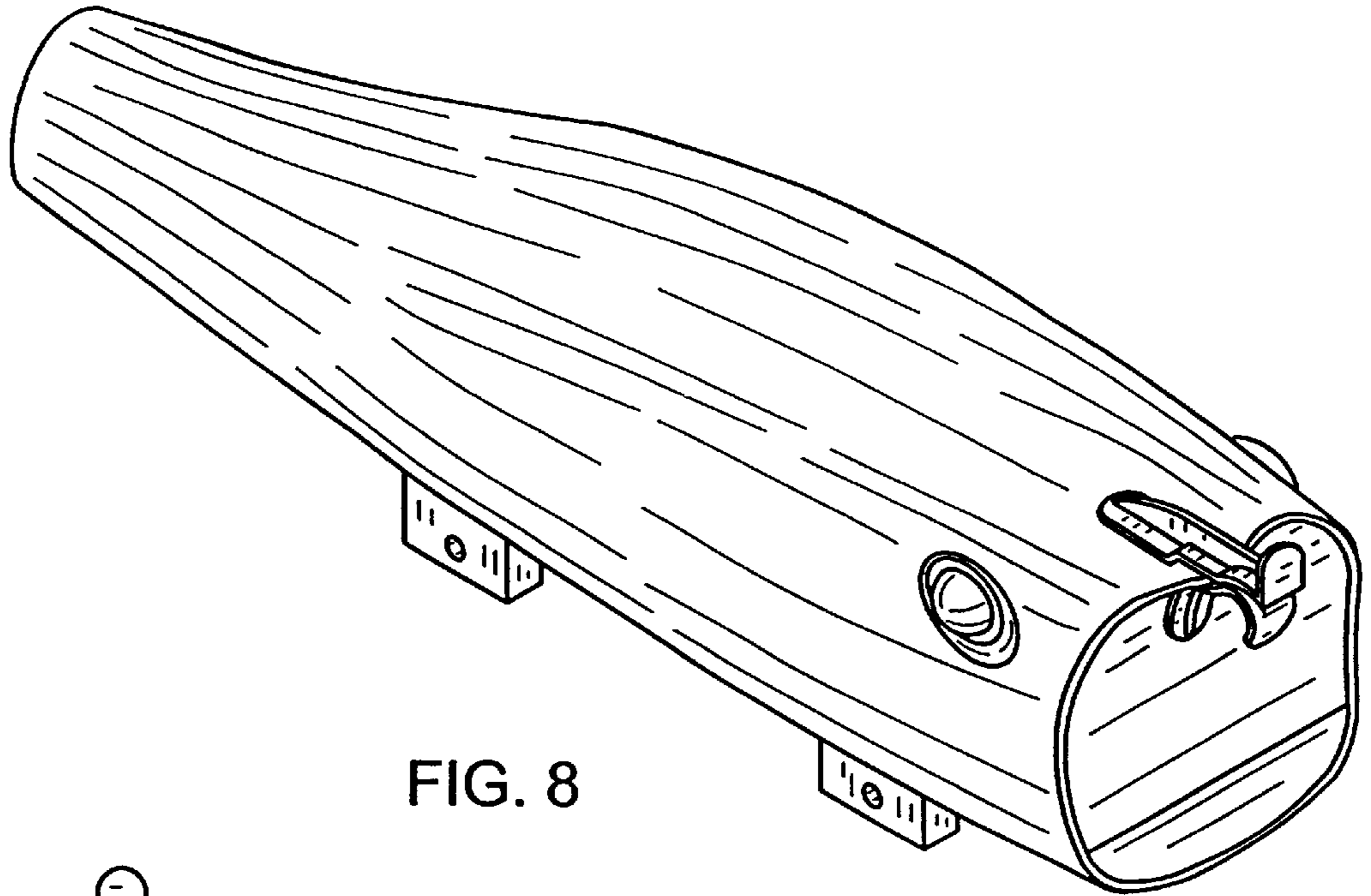


FIG. 8

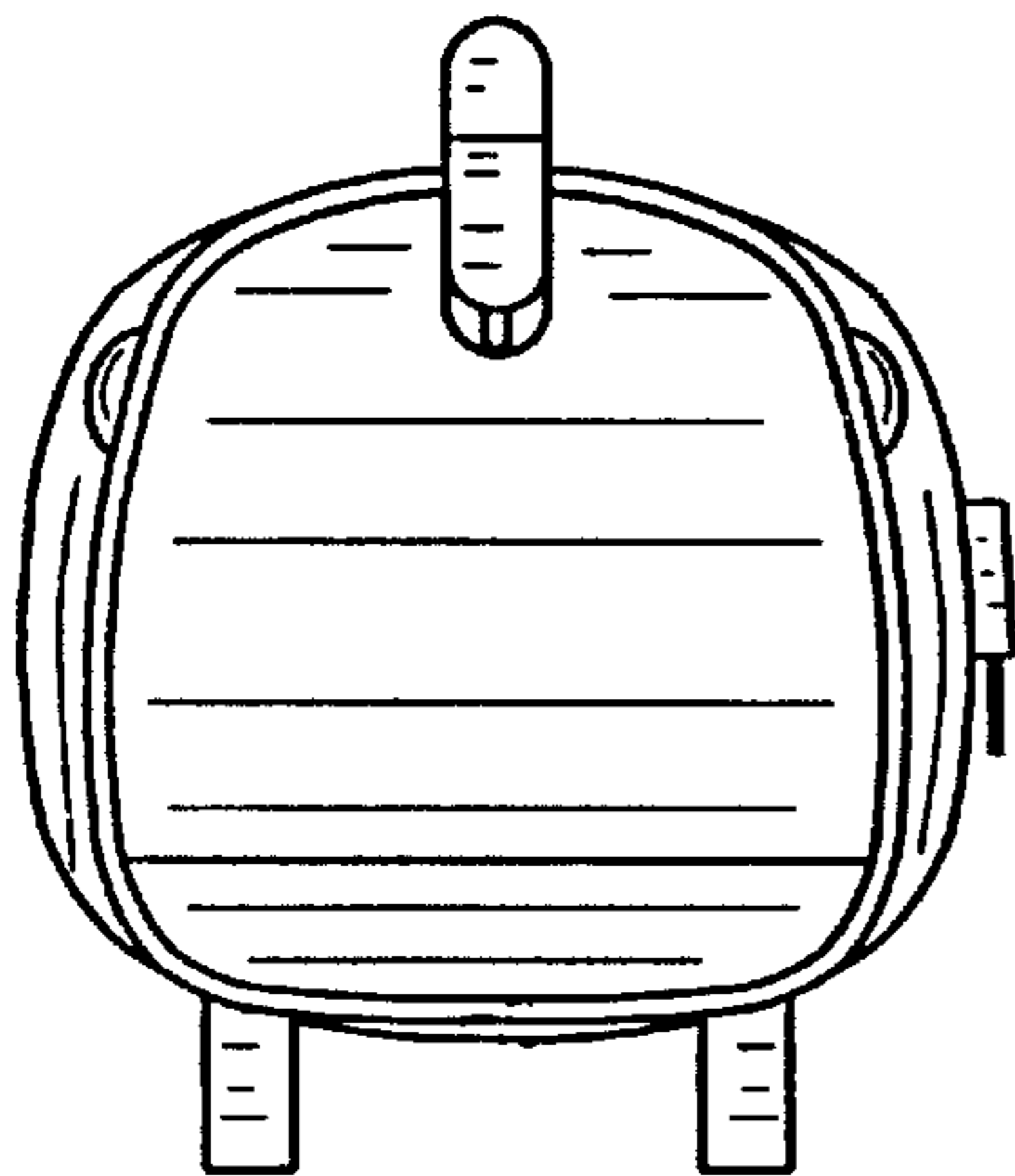


FIG. 9

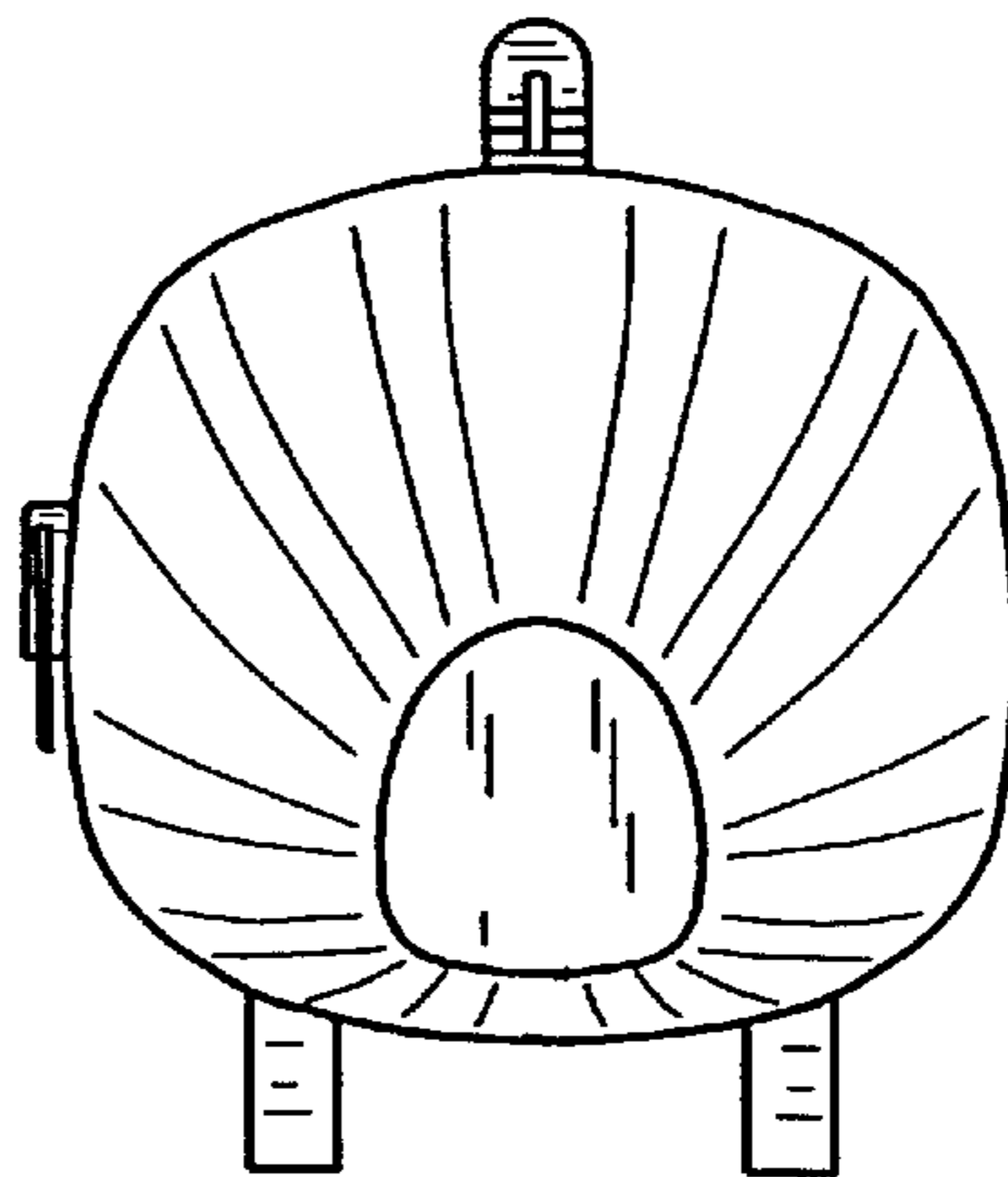


FIG. 14

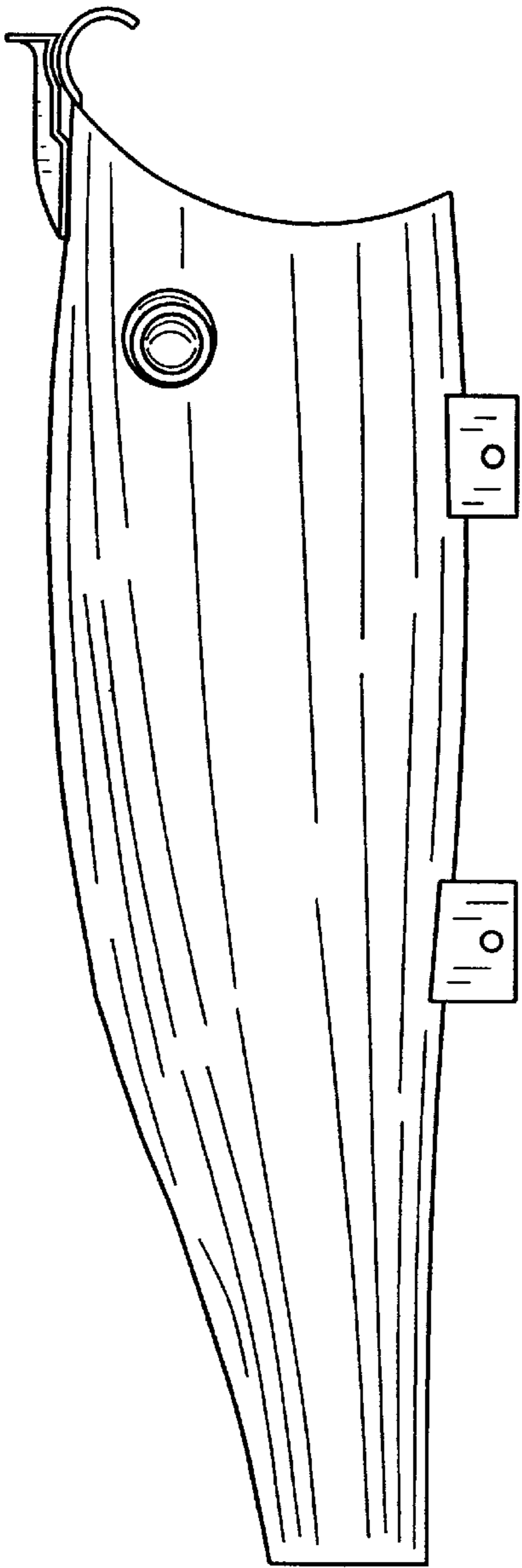


FIG. 10

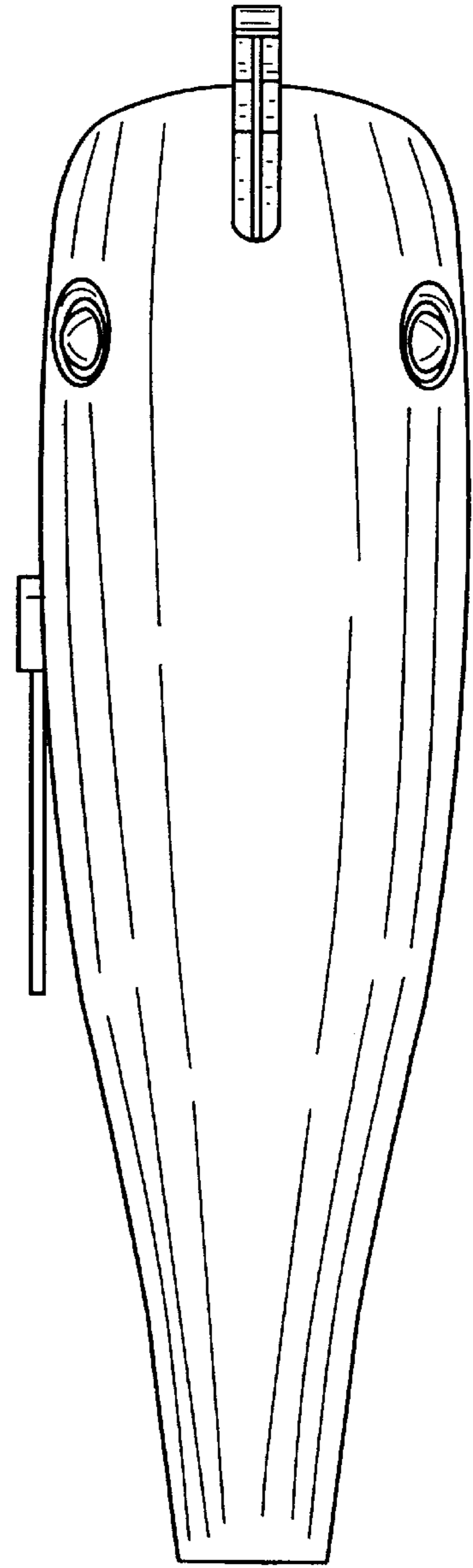


FIG. 12

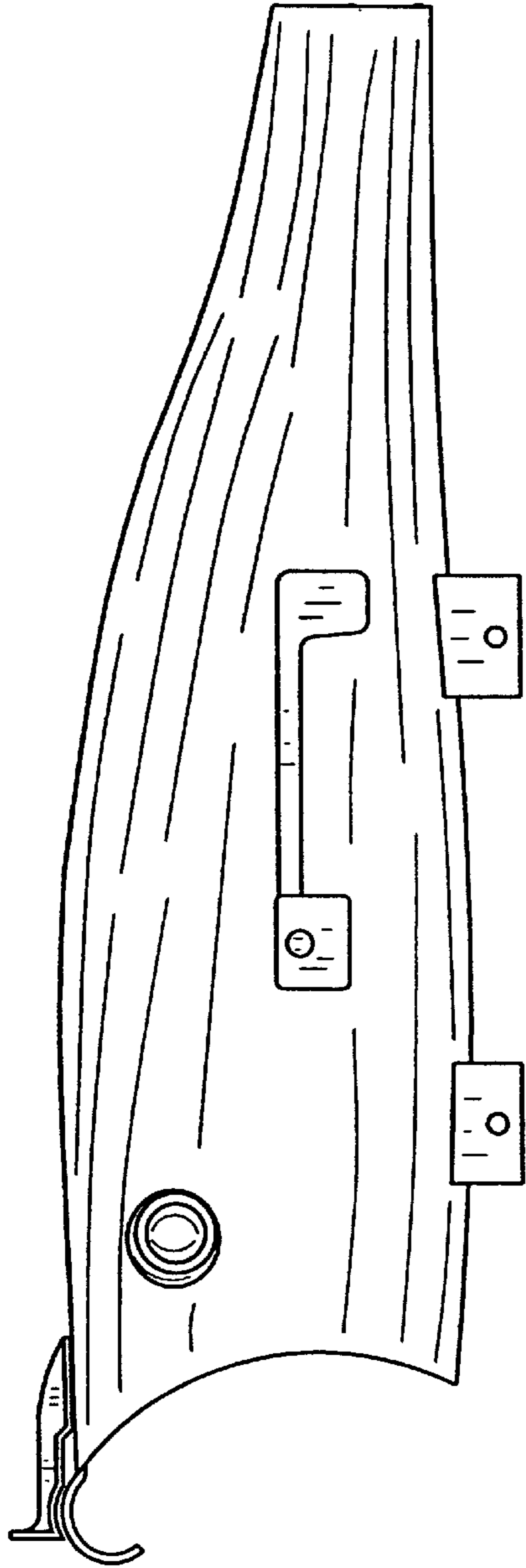


FIG. 11

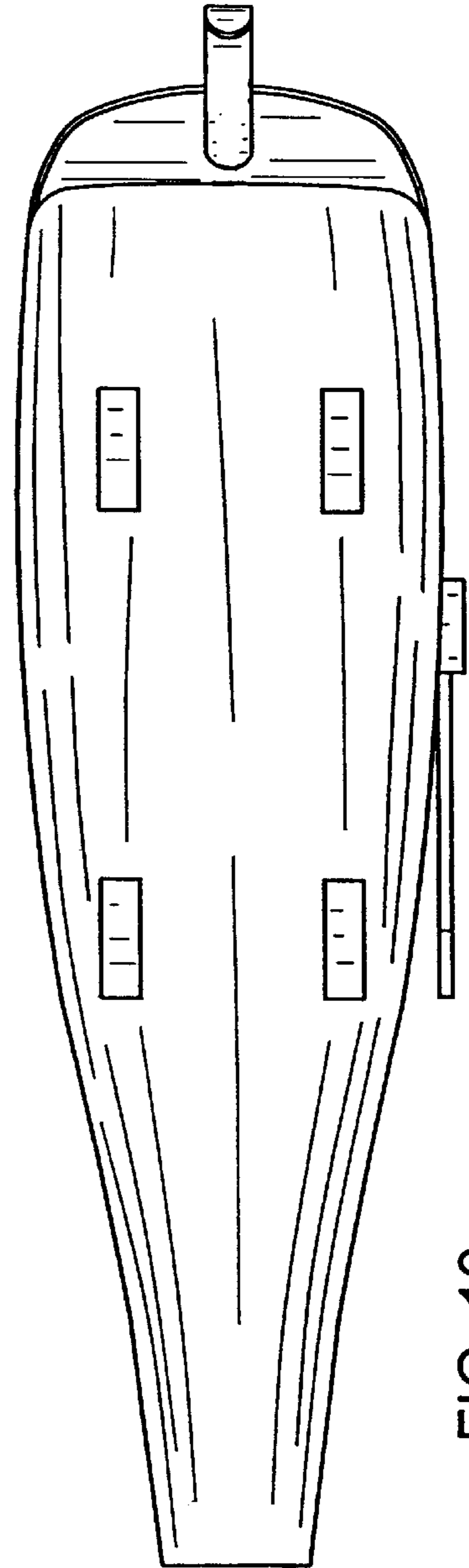


FIG. 13