



US00D460597S

(12) **United States Design Patent**
Adams

(10) **Patent No.:** **US D460,597 S**

(45) **Date of Patent:** **** Jul. 16, 2002**

(54) **MECHANIC'S CREEPER**

(76) Inventor: **Dale R. Adams**, 6521 Hammontree Dr., Hudson, OH (US) 44236

(**) Term: **14 Years**

(21) Appl. No.: **29/144,801**

(22) Filed: **Jul. 10, 2001**

(51) **LOC (7) Cl.** **12-02**

(52) **U.S. Cl.** **D34/23**

(58) **Field of Search** D34/12, 23; 280/32.6, 280/43.24, 79.11, 32.5

(56) **References Cited**

U.S. PATENT DOCUMENTS

D152,008 S	12/1948	Lucas	
D242,909 S	1/1977	Miller	
D296,597 S	7/1988	Adams	
D354,599 S	* 1/1995	Young D34/23

FOREIGN PATENT DOCUMENTS

GB	963389	10/1960
GB	2 178 702 A	2/1987

OTHER PUBLICATIONS

Advertising for Hulbert's Smash-Proof Kar-Kart in *Motor Age*, Mar. 1949.

* cited by examiner

Primary Examiner—Kay H. Chin

(74) *Attorney, Agent, or Firm*—Renner, Kenner, Greive, Bobak, Taylor and Weber

(57) **CLAIM**

The ornamental design for a mechanic's creeper, as shown and described.

DESCRIPTION

FIG. 1 is a top, front, side, left end perspective view of a mechanic's creeper showing my new design;

FIG. 2 is a top plan view thereof;

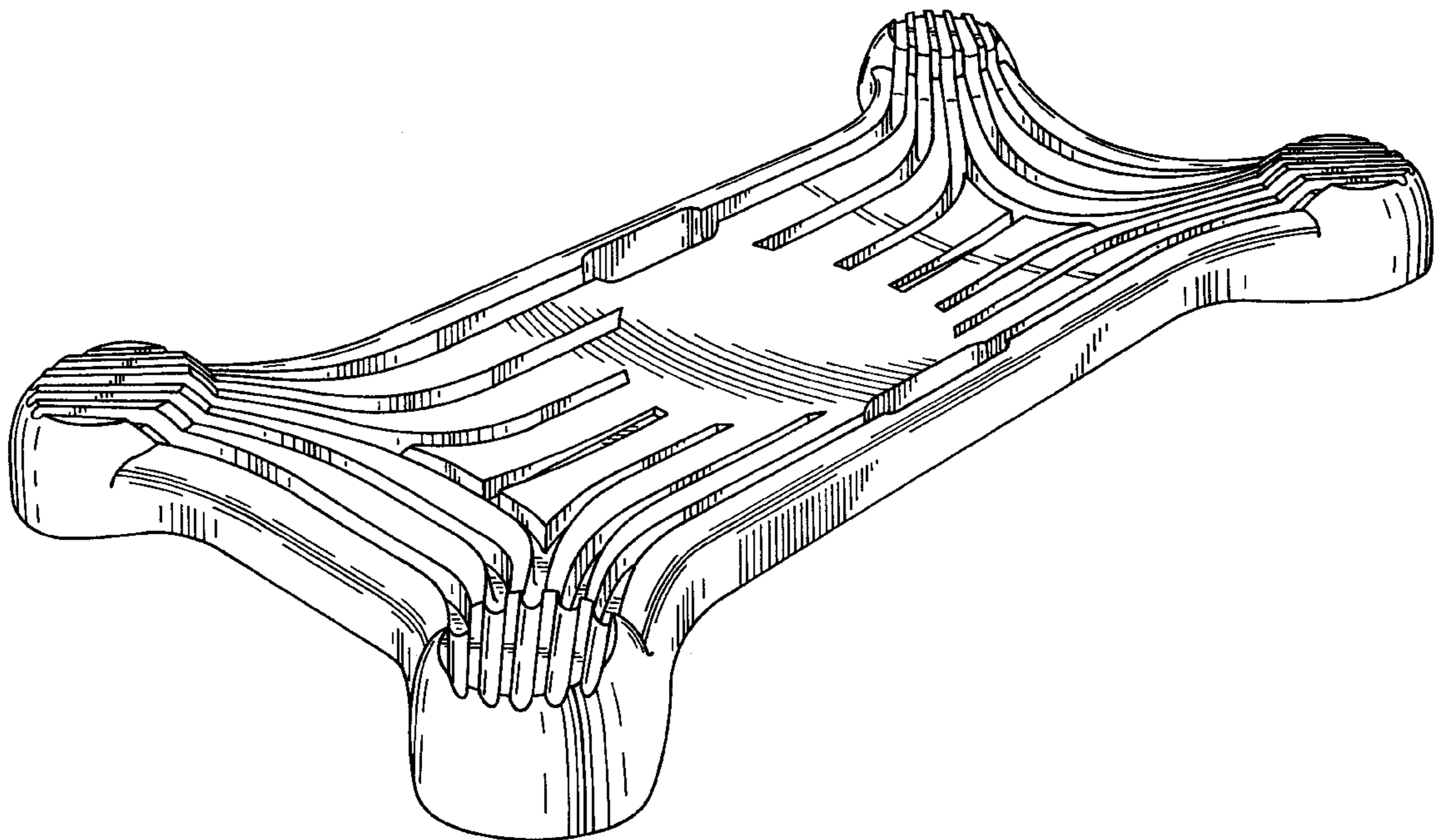
FIG. 3 is a front side elevational view thereof, the rear side elevational view being identical;

FIG. 4 is a left end elevational view thereof, the right end elevational view being identical;

FIG. 5 is a cross-sectional view, taken substantially along the line 5—5 of FIG. 2; and,

FIG. 6 is a bottom plan view thereof.

1 Claim, 4 Drawing Sheets



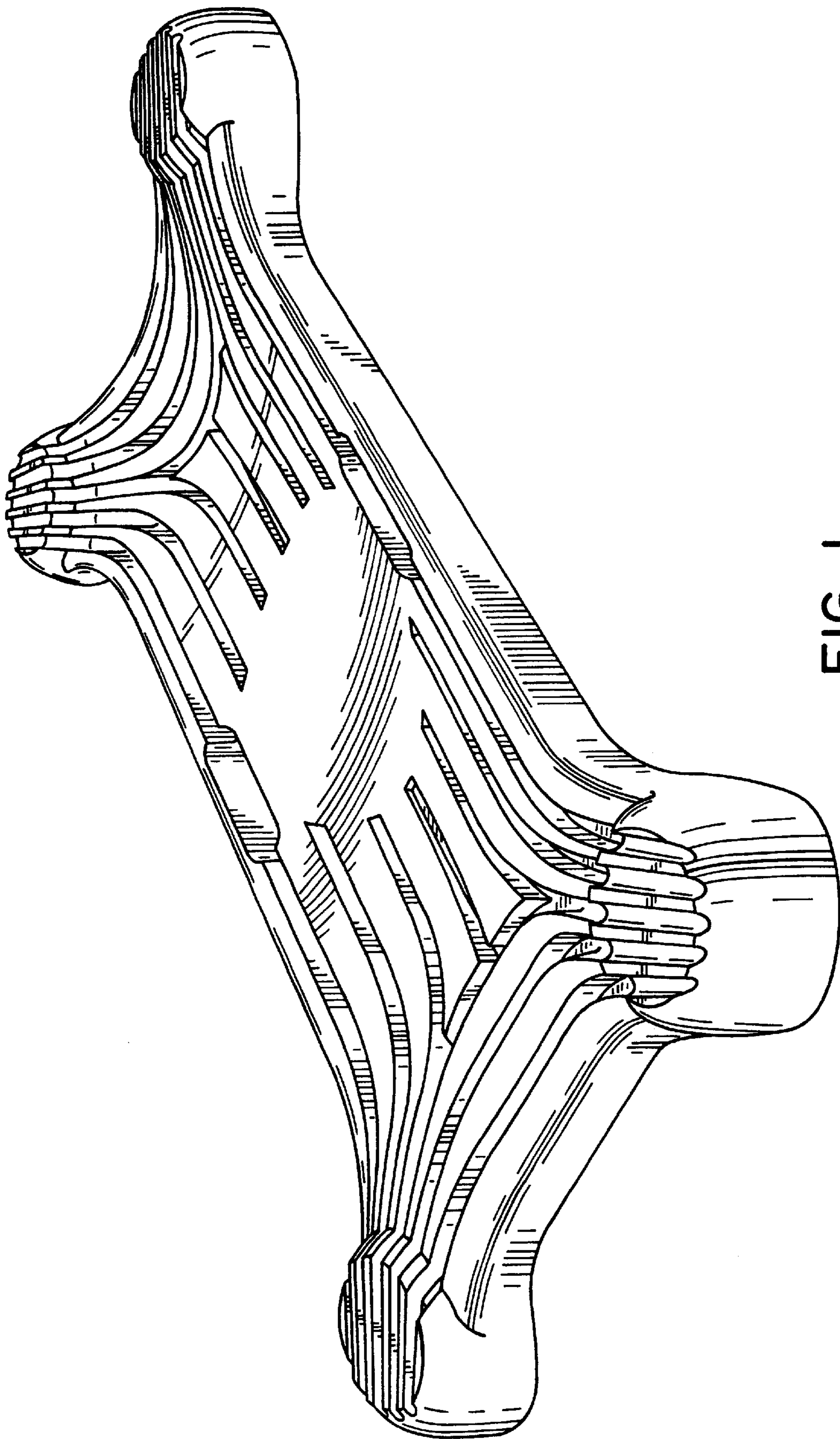


FIG. 1

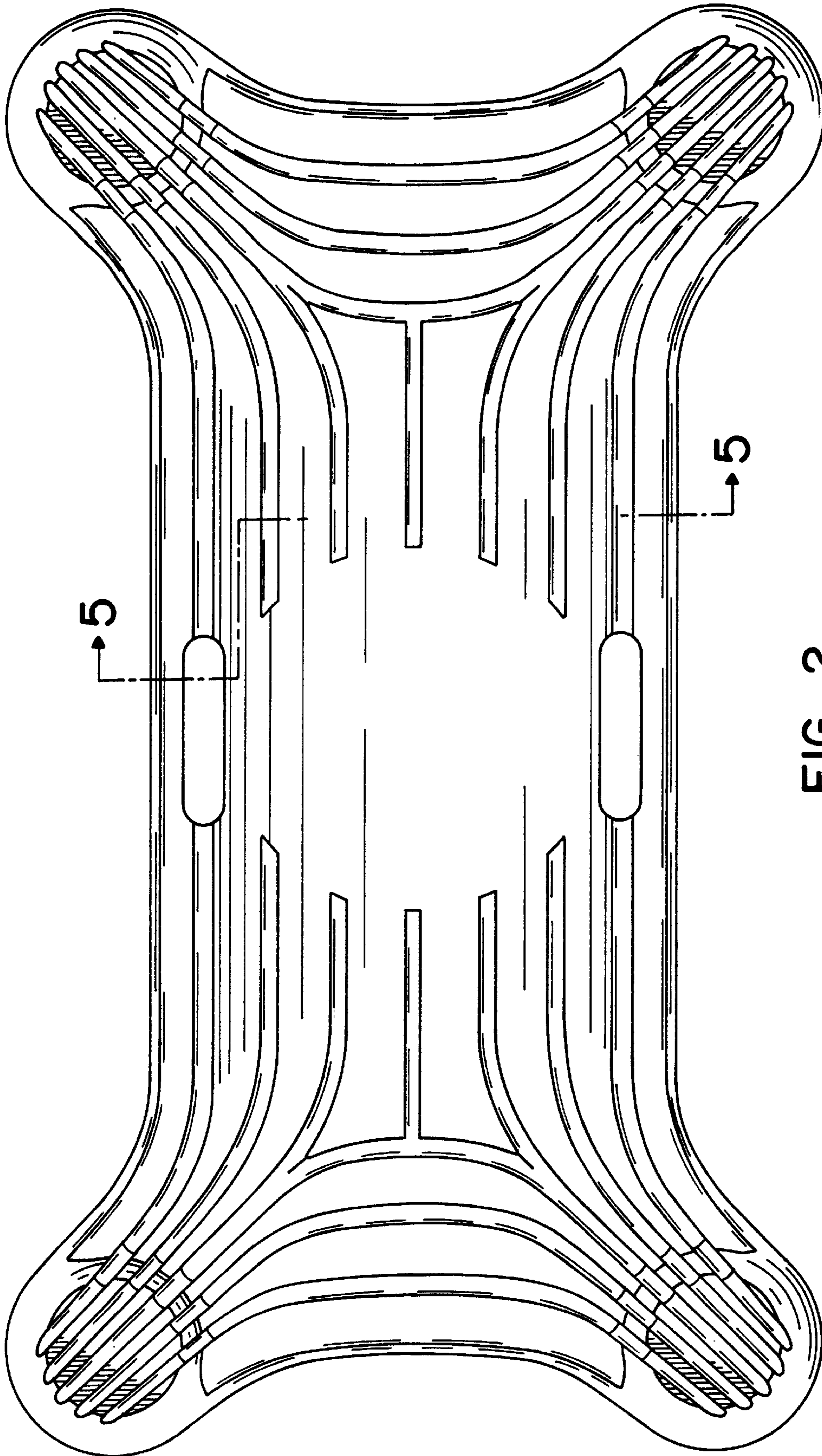


FIG. 2

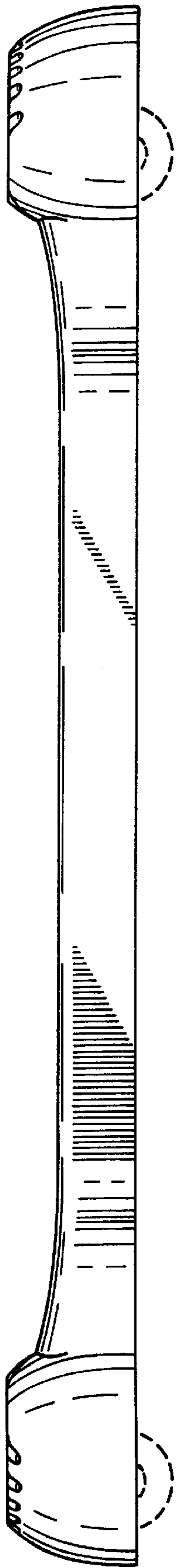


FIG. 3

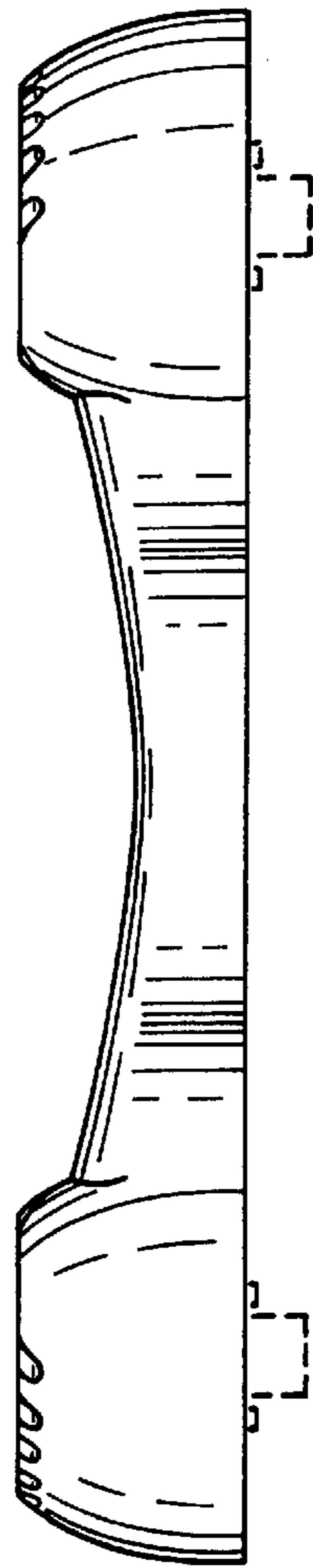


FIG. 4

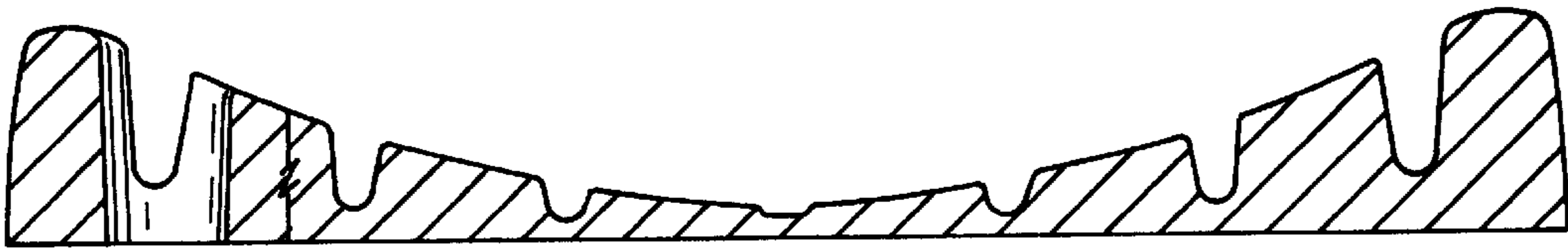


FIG. 5

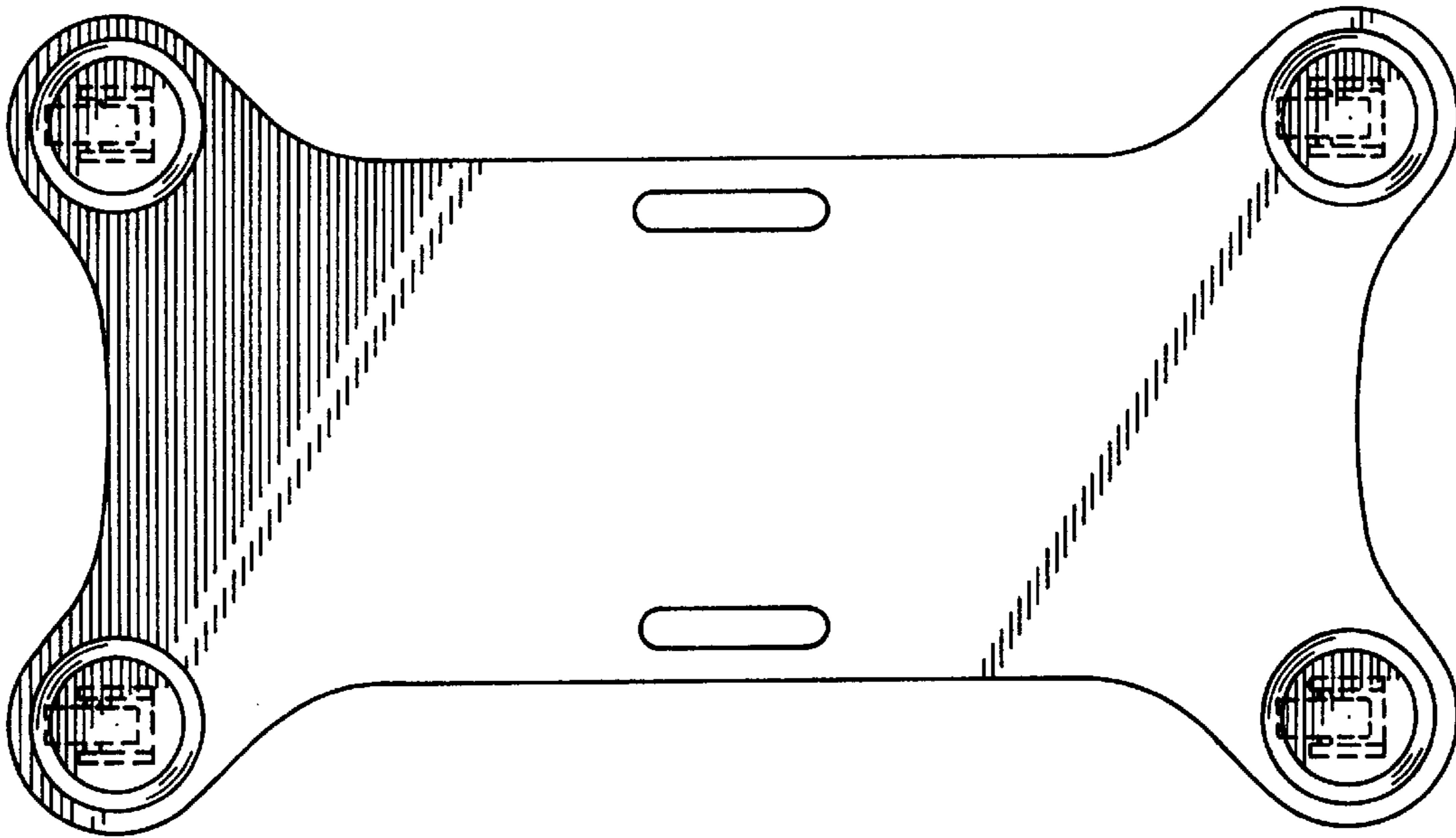


FIG. 6