



US00D460596S

(12) **United States Design Patent**  
**Bond et al.**

(10) **Patent No.:** **US D460,596 S**

(45) **Date of Patent:** **\*\* Jul. 16, 2002**

(54) **HOT DOG CART**

(75) Inventors: **Gregg Bond**, Los Angeles; **Barry Helman**, Malibu; **Andrew Helman**, Ventura, all of CA (US)

(73) Assignee: **Bond/Helman, Inc.**, Oxnard, CA (US)

(\*\*) Term: **14 Years**

(21) Appl. No.: **29/152,698**

(22) Filed: **Dec. 21, 2001**

(51) **LOC (7) Cl.** ..... **12-02**

(52) **U.S. Cl.** ..... **D34/14**

(58) **Field of Search** ..... D34/12-27; 296/22, 296/24.1, 24.2; 280/47.35, 47.26, 79.11, 79.3; D6/460, 474, 481

(56) **References Cited**

**U.S. PATENT DOCUMENTS**

D230,715 S \* 3/1974 Horst ..... D34/14  
D233,253 S \* 10/1974 Emanuele ..... D34/14

D250,689 S \* 1/1979 Lee et al. .... D34/14  
D294,534 S \* 3/1988 Hawthorn et al. .... D34/25  
D321,437 S \* 11/1991 Cheng ..... D6/404

\* cited by examiner

*Primary Examiner*—Kay H. Chin

(74) *Attorney, Agent, or Firm*—Marvin E. Jacobs

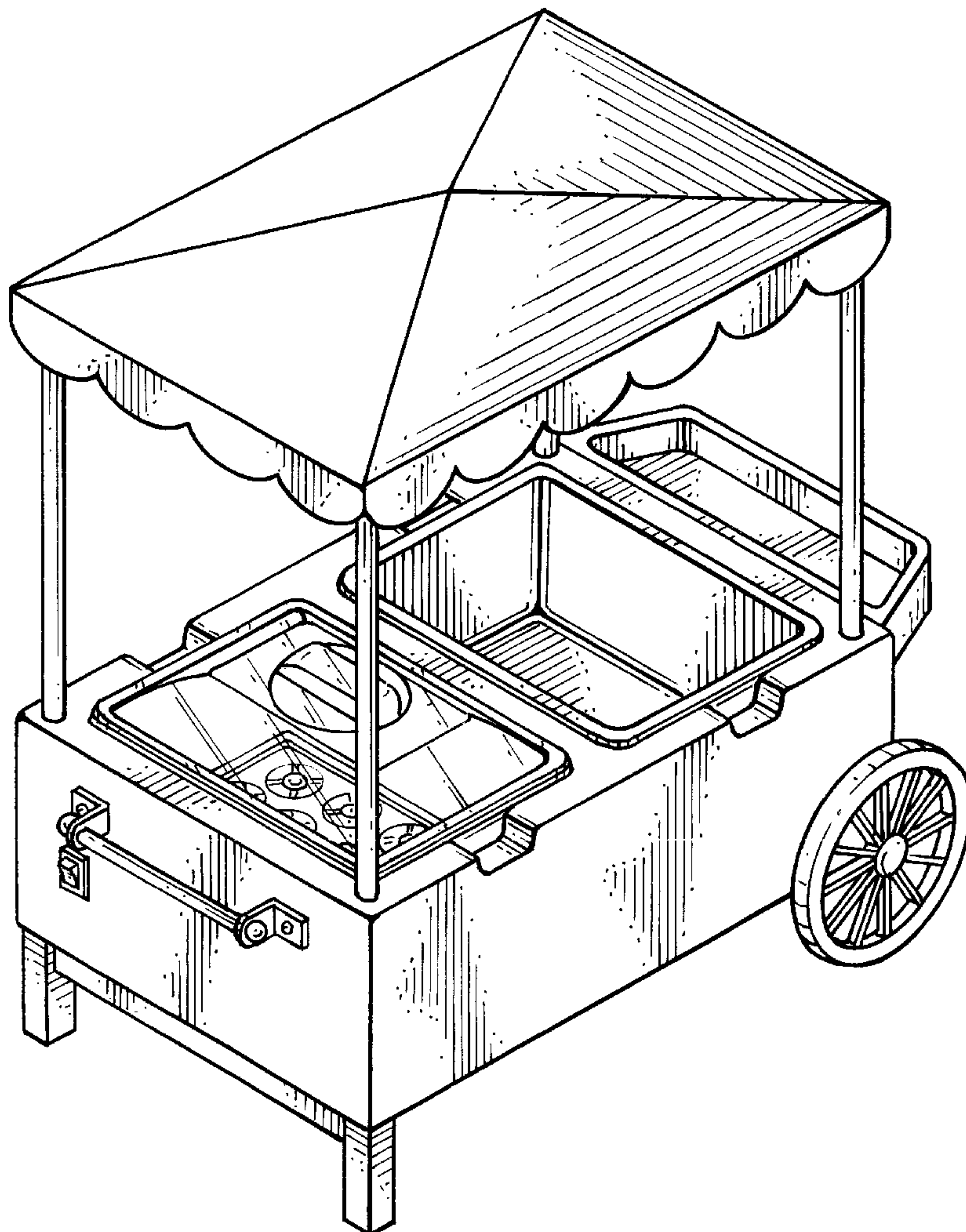
(57) **CLAIM**

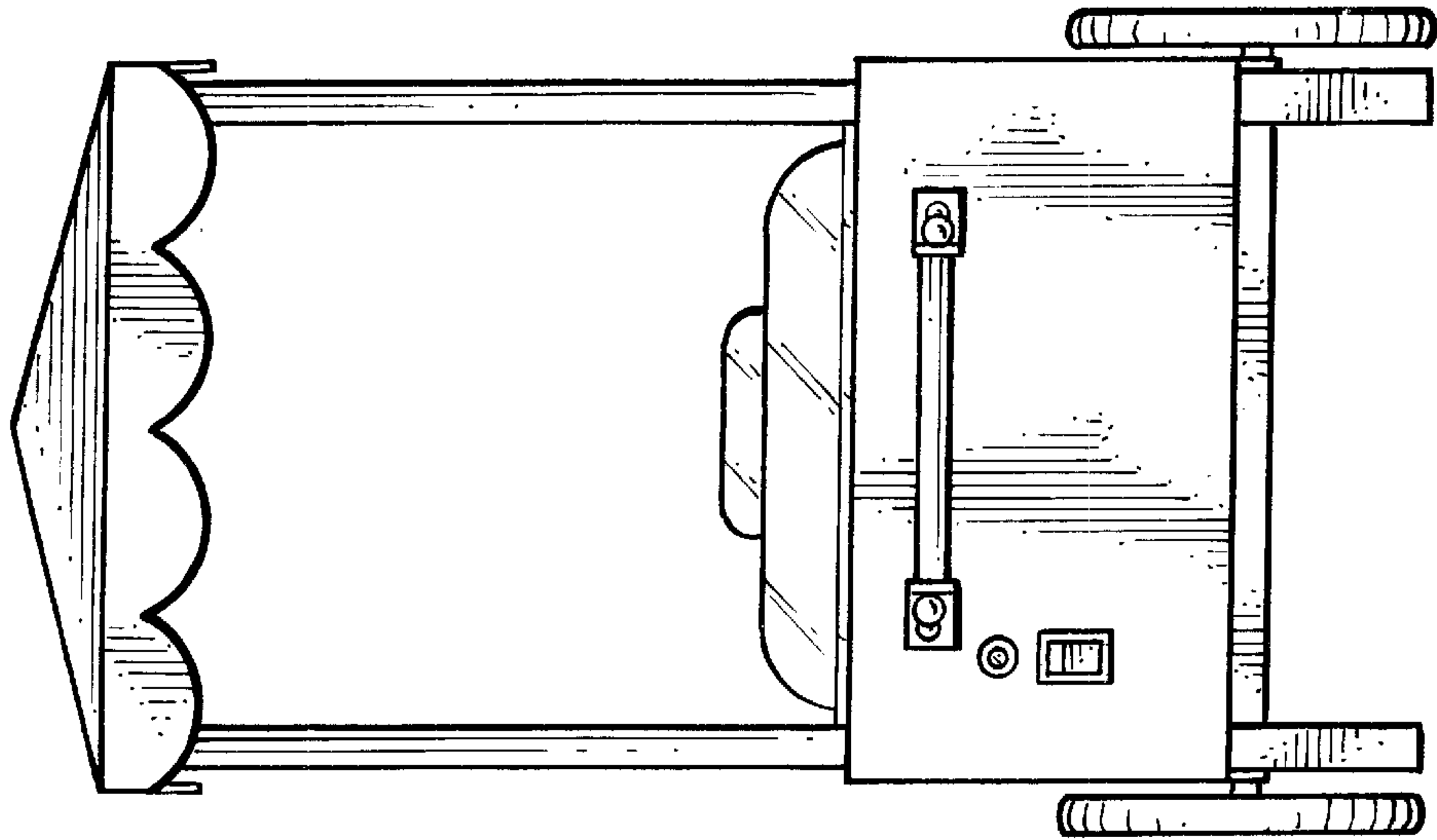
The ornamental design for a hot dog cart, as shown and described.

**DESCRIPTION**

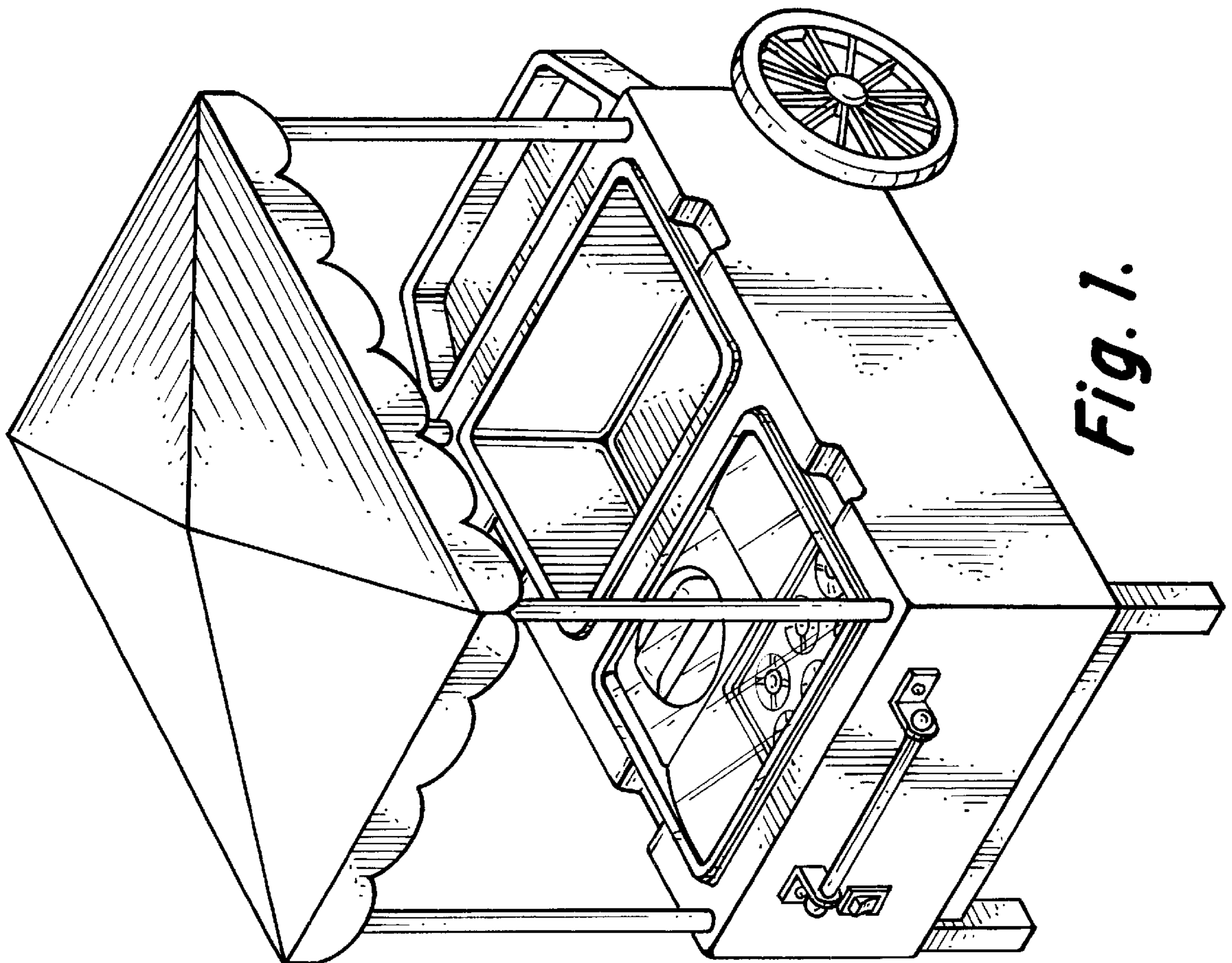
FIG. 1 is an isometric view of the hot dog cart;  
FIG. 2 is a front elevational view of the hot dog cart as shown in FIG. 1;  
FIG. 3 is a left side elevational view thereof (right side being identical).  
FIG. 4 is a rear elevational view thereof;  
FIG. 5 is a top plan view thereof; and,  
FIG. 6 is a bottom plan view of the hot dog cart.

**1 Claim, 3 Drawing Sheets**

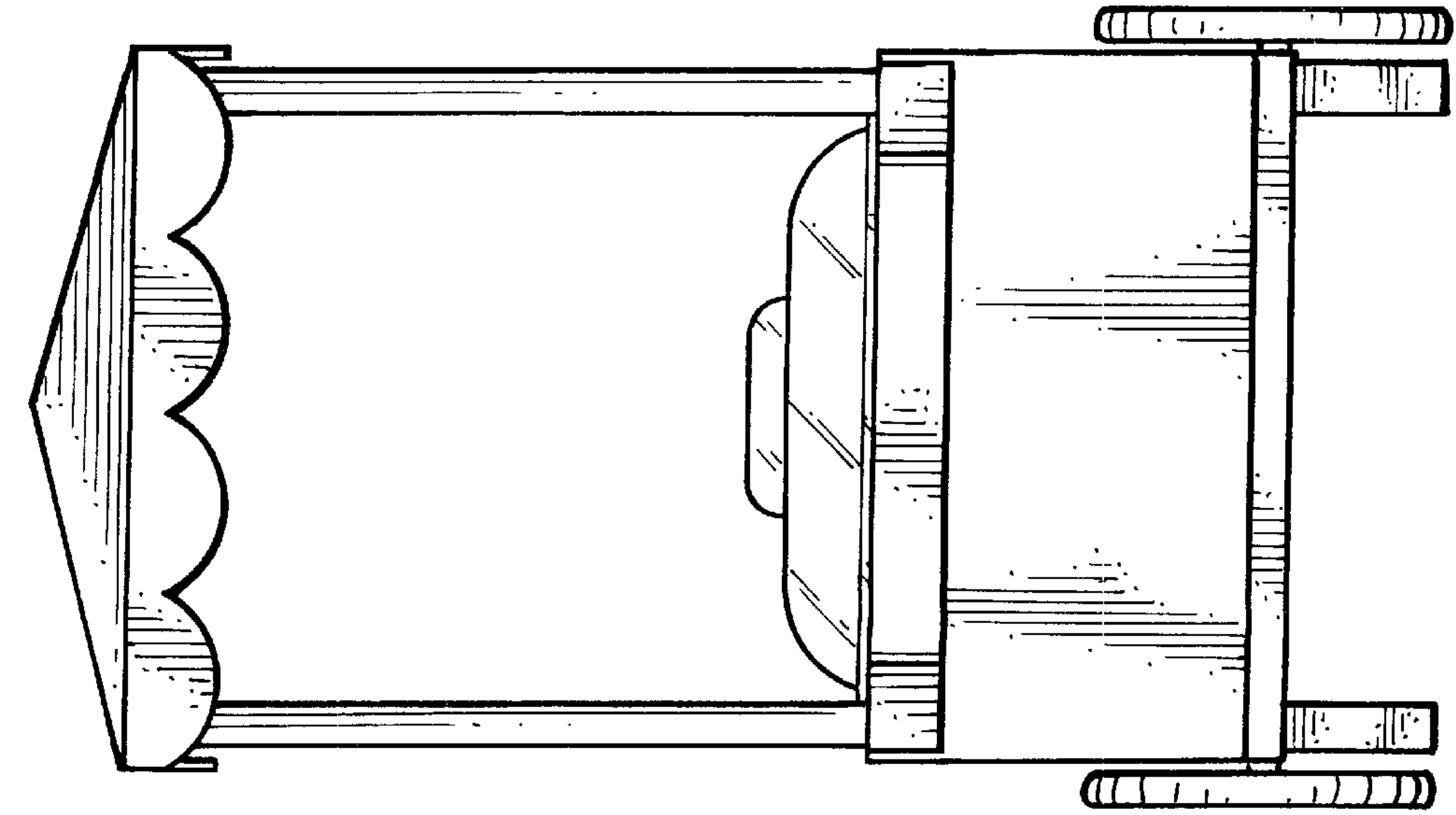




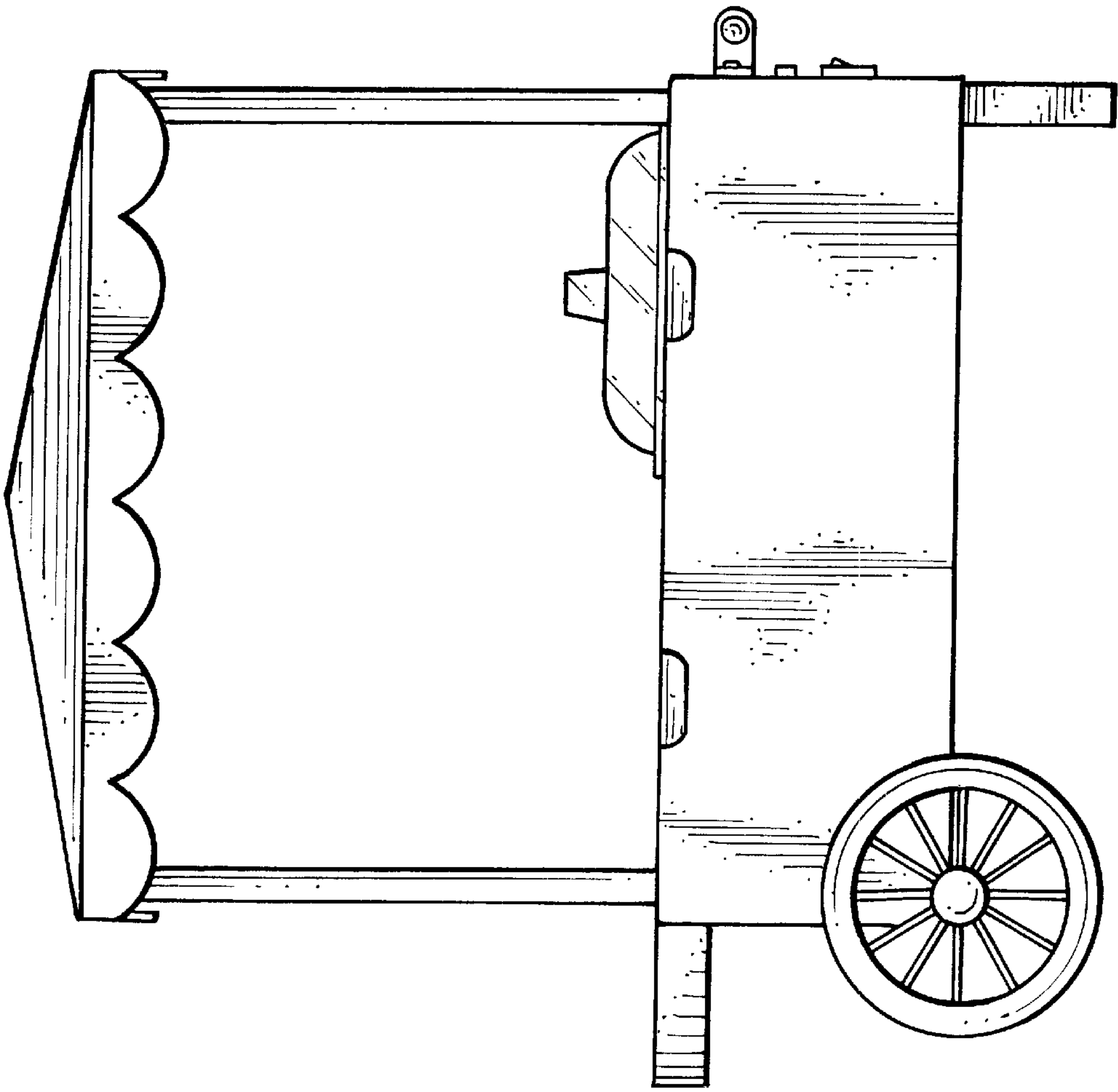
*Fig. 2.*



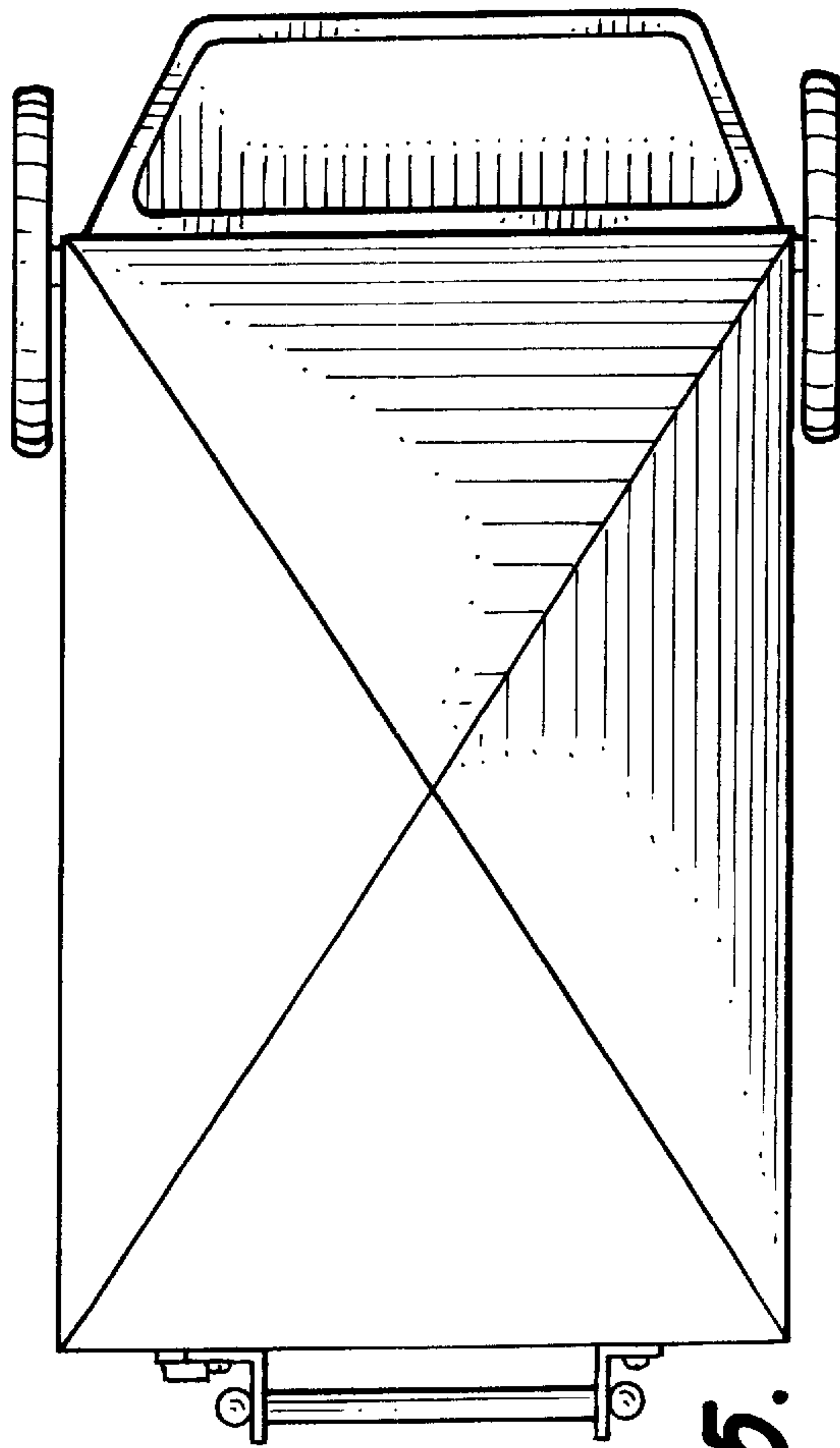
*Fig. 1.*



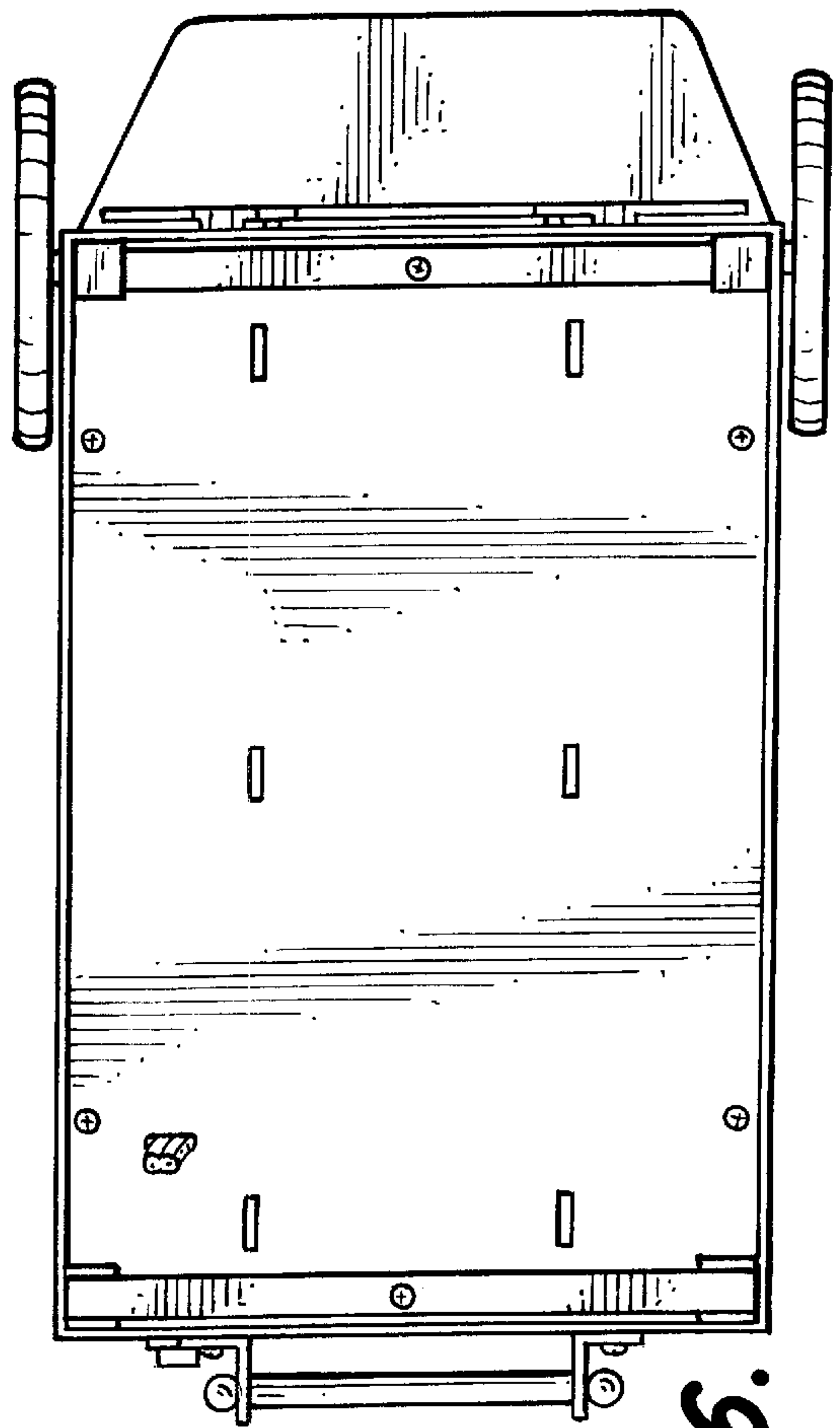
*Fig. 4.*



*Fig. 3.*



*Fig. 5.*



*Fig. 6.*