



US00D460589S

(12) **United States Design Patent**
Weinberger et al.

(10) **Patent No.:** **US D460,589 S**

(45) **Date of Patent:** **** Jul. 16, 2002**

(54) **ICE SCRAPER**

(76) Inventors: **Marvin I. Weinberger**, 630 Penfield Ave., Havertown, PA (US) 19083;
Tucker J. Marion, 250-2C Iven Ave., St. Davids, PA (US) 19087

(**) Term: **14 Years**

(21) Appl. No.: **29/150,906**

(22) Filed: **Nov. 15, 2001**

(51) **LOC (7) Cl.** **08-05**

(52) **U.S. Cl.** **D32/46**

(58) **Field of Search** D32/40, 46, 49,
D32/44; 15/143.1, 236.01, 236.02, 236.05,
236.06, 236.08

(56) **References Cited**

U.S. PATENT DOCUMENTS

4,888,846 A * 12/1989 Natale 15/143.1
D372,349 S * 7/1996 Adair D32/46

D395,104 S * 6/1998 Huang D32/49
D405,573 S * 2/1999 Tisbo et al. D32/49
5,915,794 A * 6/1999 Neff 15/143.1

* cited by examiner

Primary Examiner—Jennifer Rivard

(74) *Attorney, Agent, or Firm*—Steve Mendelsohn; Steven R. Petersen

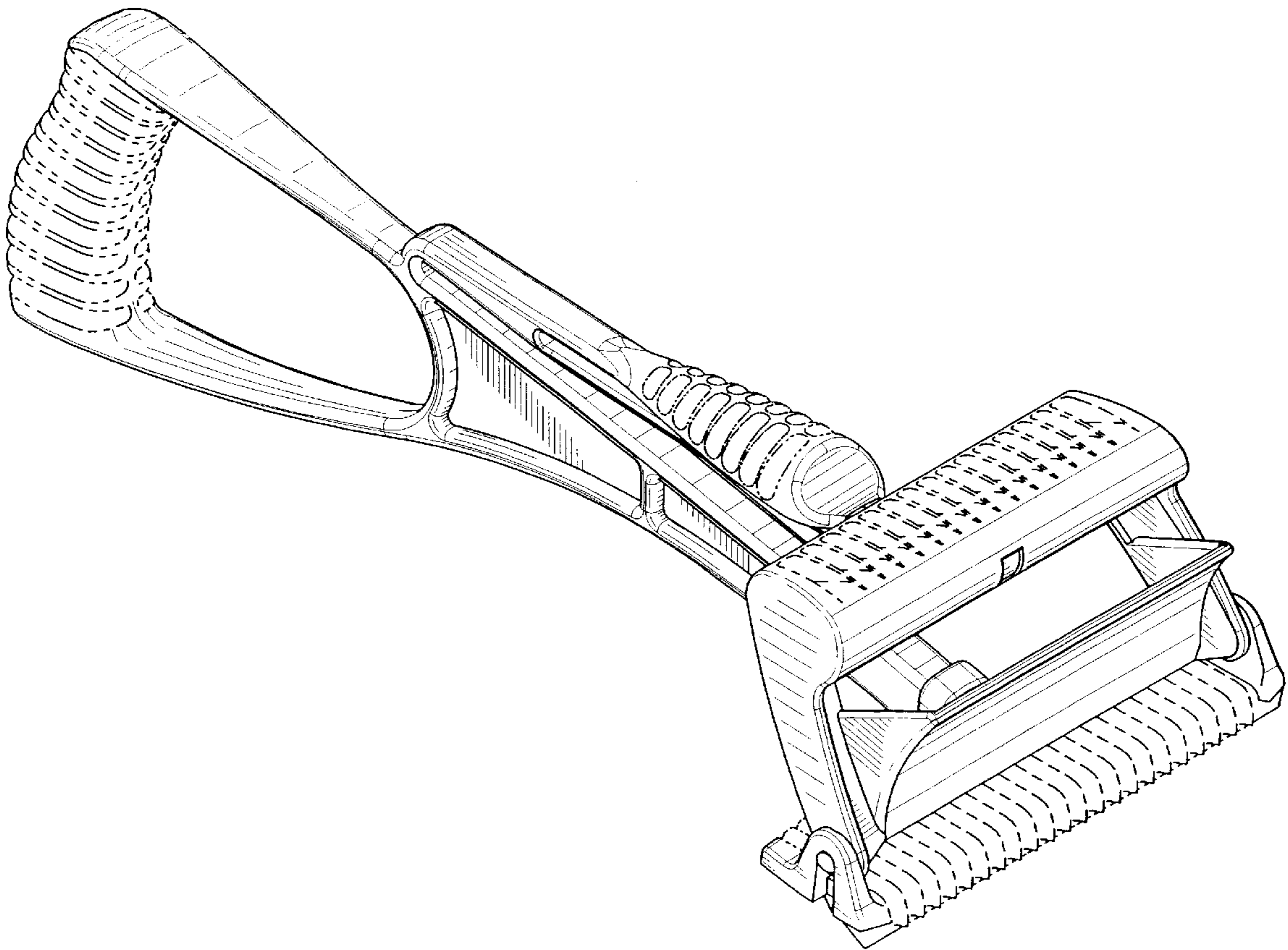
(57) **CLAIM**

The ornamental design for an ice scraper, as shown and described.

DESCRIPTION

FIG. 1 is a top, front, right perspective view of an embodiment of an ice scraper according to the present invention; FIG. 2 is a right side elevational view thereof; FIG. 3 is a top plan view thereof; FIG. 4 is a front elevational view thereof; FIG. 5 is a top, rear, right perspective view thereof; and, FIG. 6 is a bottom, rear, left perspective view thereof.

1 Claim, 6 Drawing Sheets



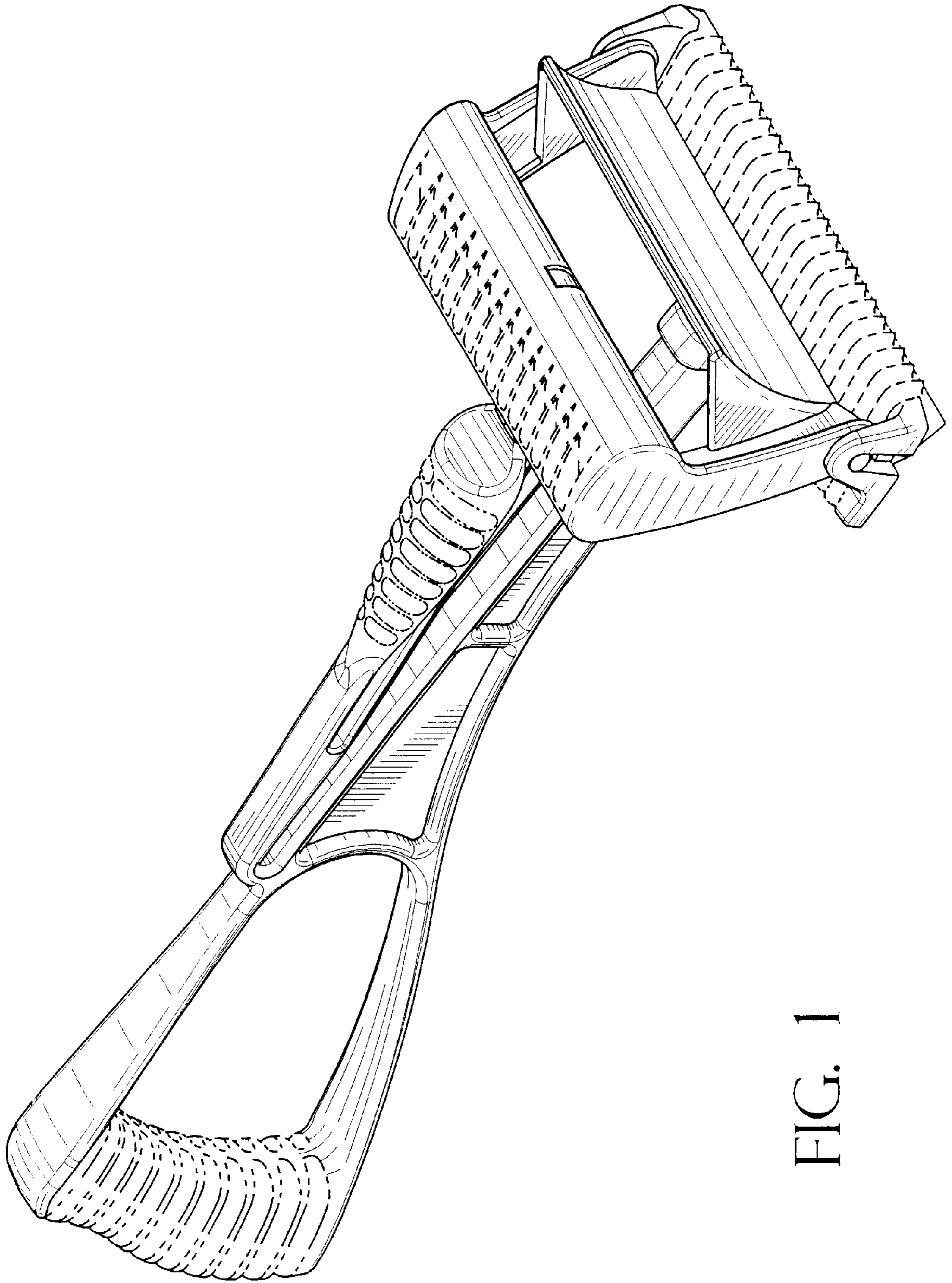


FIG. 1

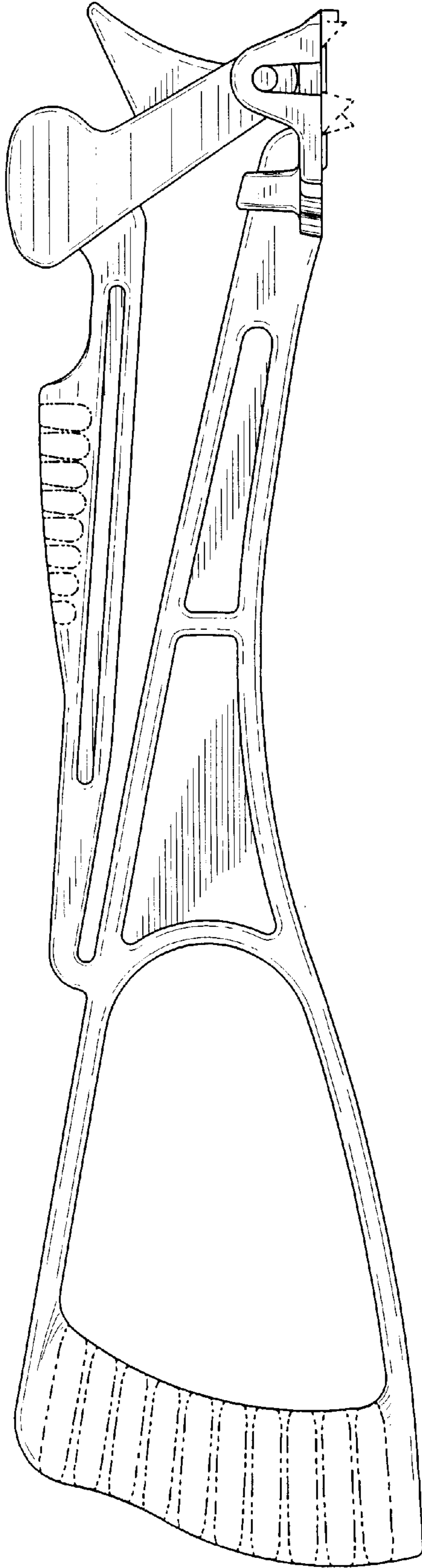


FIG. 2

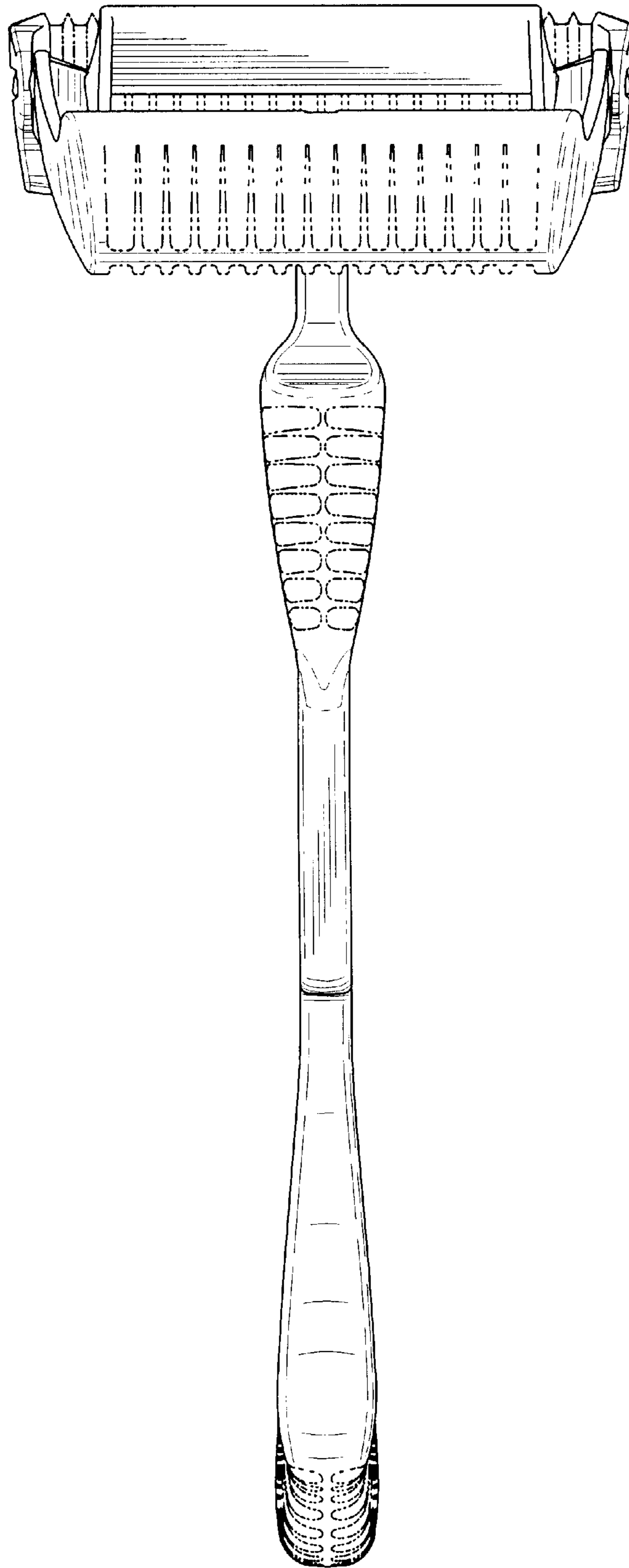


FIG. 3

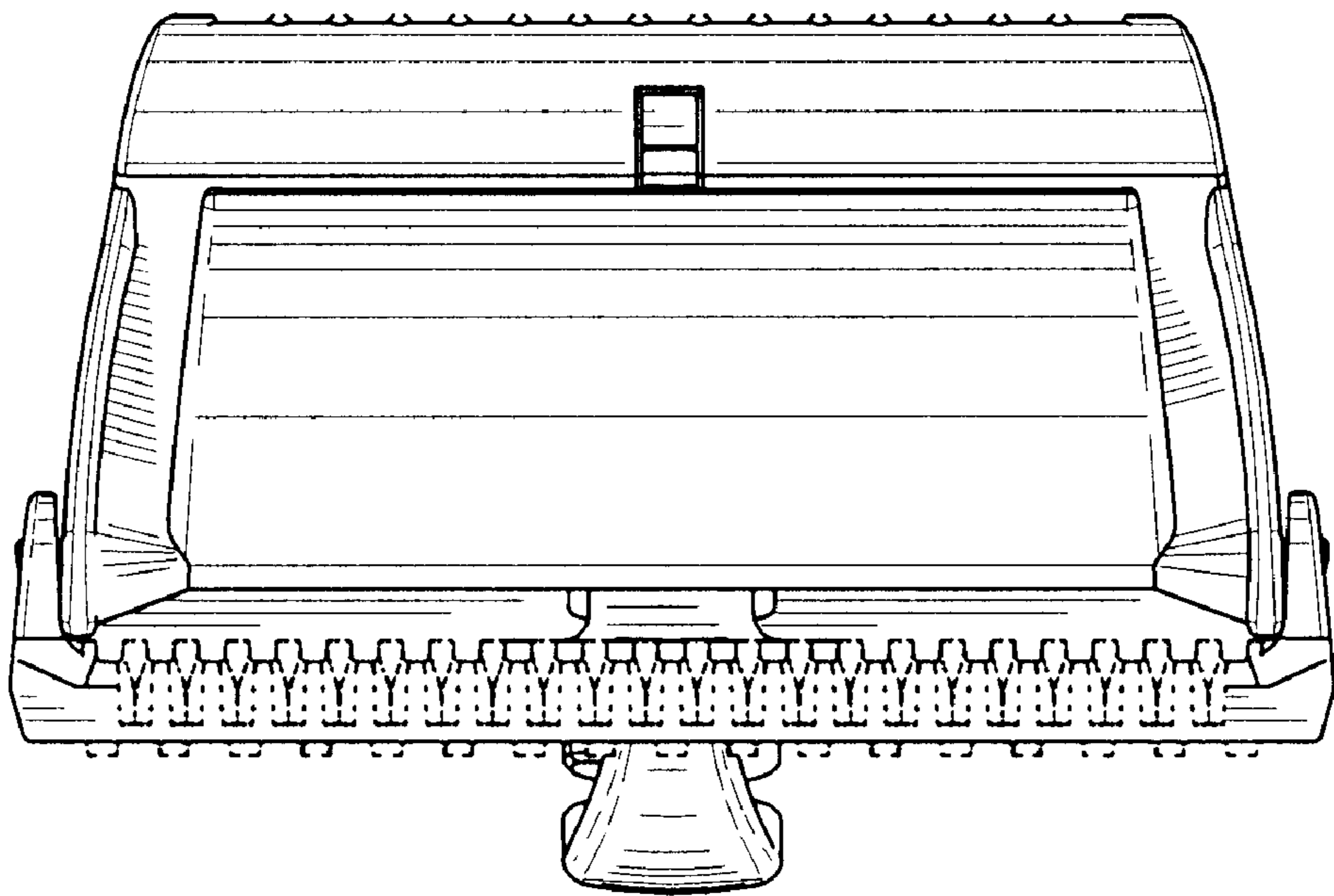


FIG. 4

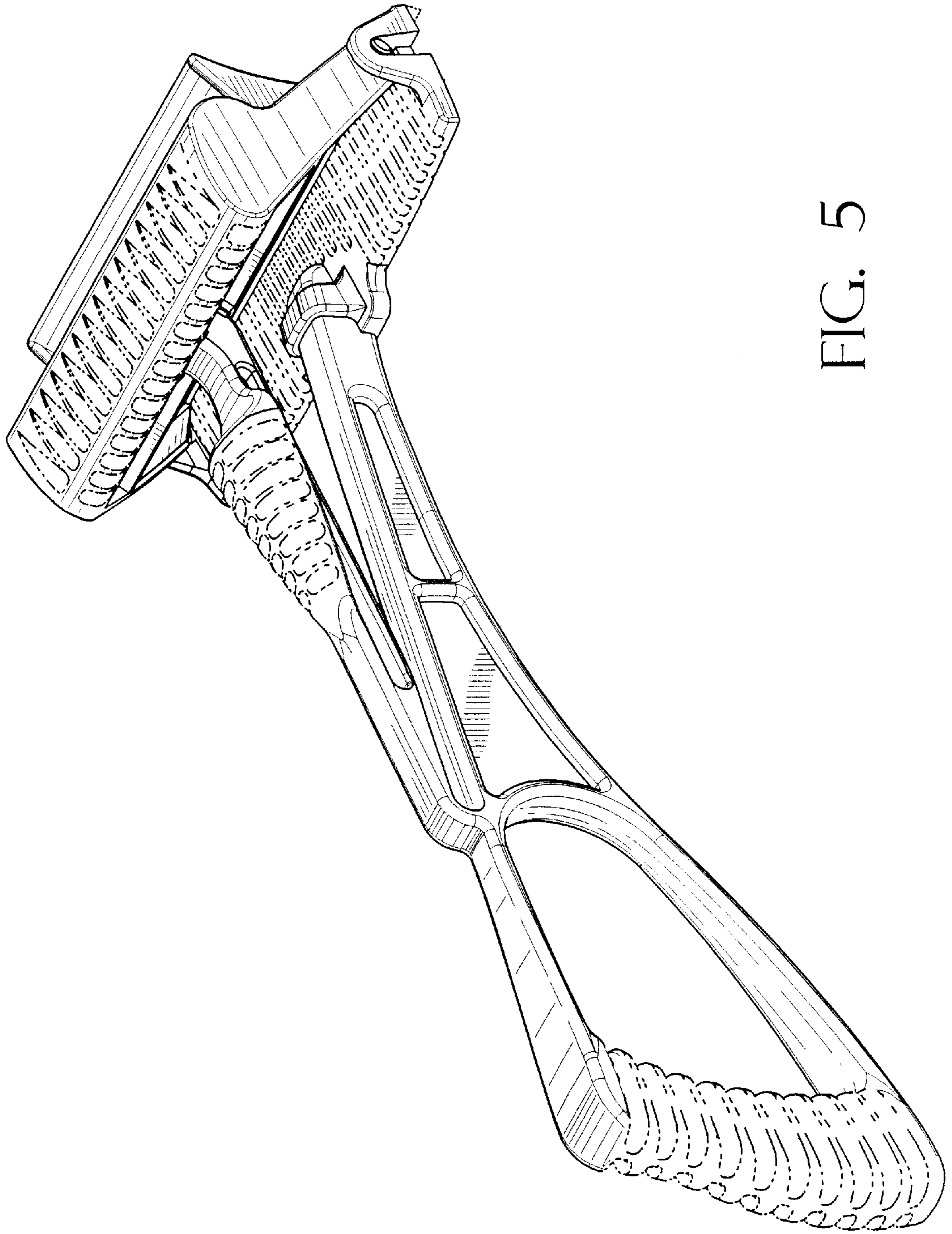


FIG. 5

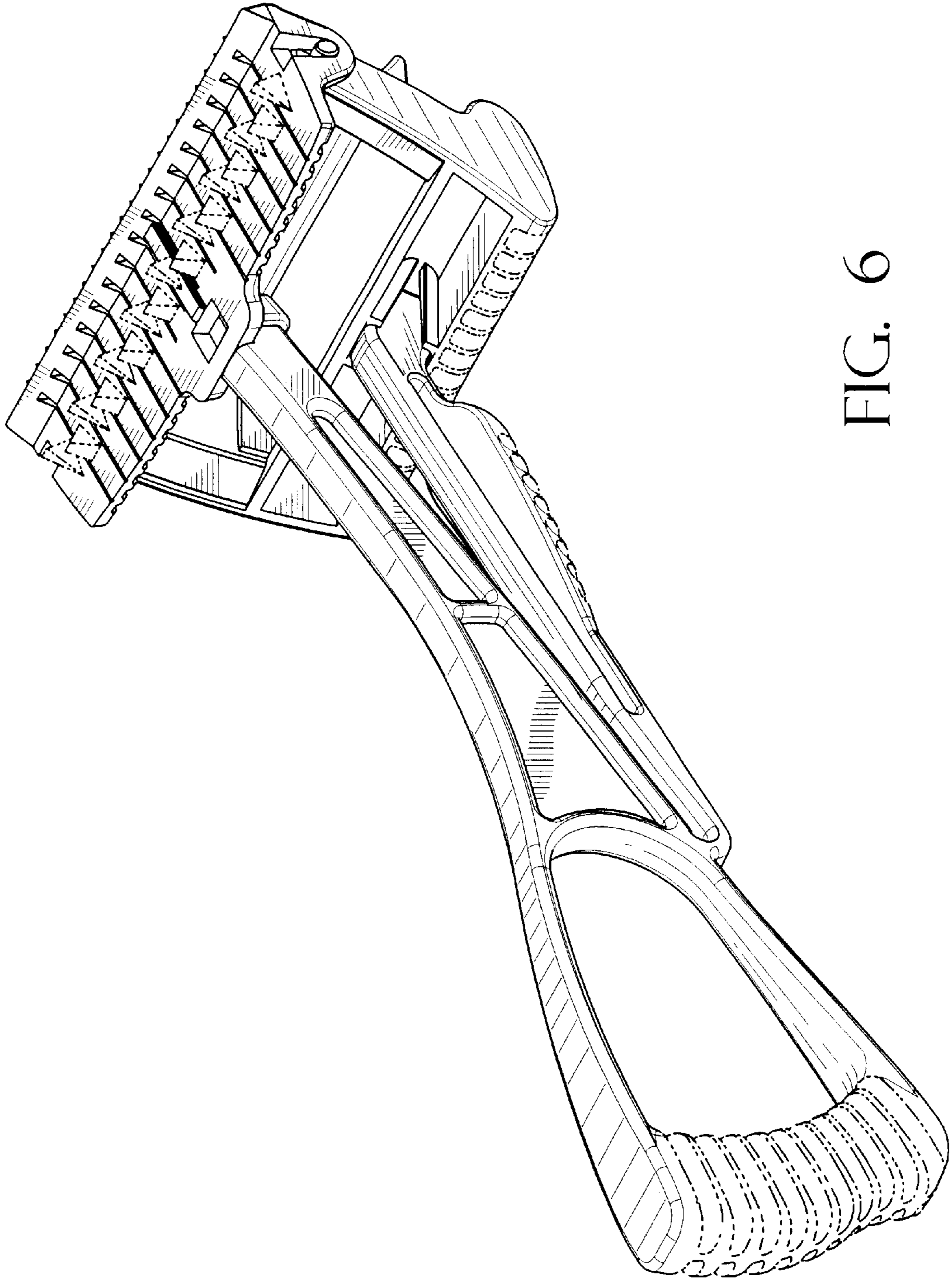


FIG. 6