



US00D460581S

(12) **United States Design Patent**  
**Angeletta**

(10) **Patent No.:** **US D460,581 S**

(45) **Date of Patent:** **\*\* Jul. 16, 2002**

(54) **LIQUID AND LOTION APPLICATOR**

(76) Inventor: **Joseph G. Angeletta**, 418 Fifth St.,  
Mamaroneck, NY (US) 10543

(\*\*) Term: **14 Years**

(21) Appl. No.: **29/151,795**

(22) Filed: **Dec. 7, 2001**

**Related U.S. Application Data**

(62) Division of application No. 29/138,925, filed on Mar. 21,  
2001.

(51) **LOC (7) Cl.** ..... **28-02**

(52) **U.S. Cl.** ..... **D28/7**

(58) **Field of Search** ..... D28/7, 63; D4/114,  
D4/127, 137, 138, 124, 125; D9/338, 307,  
309; D24/119; D32/40, 43, 45, 51; D3/270;  
132/320; 15/104.94, 244.1, 244.2; 401/138,  
139, 196, 197, 202-207, 263-266, 270-275

(56) **References Cited**

**U.S. PATENT DOCUMENTS**

D257,124 S \* 9/1980 Grip ..... D9/307  
5,322,382 A \* 6/1994 Hull et al. .... 401/202

D357,810 S \* 5/1995 Evans ..... D4/114  
5,454,659 A \* 10/1995 Vosbikian et al. .... 401/207  
D384,436 S \* 9/1997 Kelley ..... D28/7  
5,931,591 A \* 8/1999 McCracken ..... 401/205  
D417,033 S \* 11/1999 Sachs et al. .... D28/7  
D420,573 S \* 2/2000 LaPlaca et al. .... D9/309  
D434,525 S \* 11/2000 Angeletta ..... D28/7  
D438,671 S \* 3/2001 Angeletta ..... D28/7  
D445,954 S \* 7/2001 Angeletta ..... D28/7

\* cited by examiner

*Primary Examiner*—Lucy Lieberman

(74) *Attorney, Agent, or Firm*—Scully, Scott, Murphy &  
Presser

(57) **CLAIM**

The ornamental design for a liquid and lotion applicator, as  
shown and described.

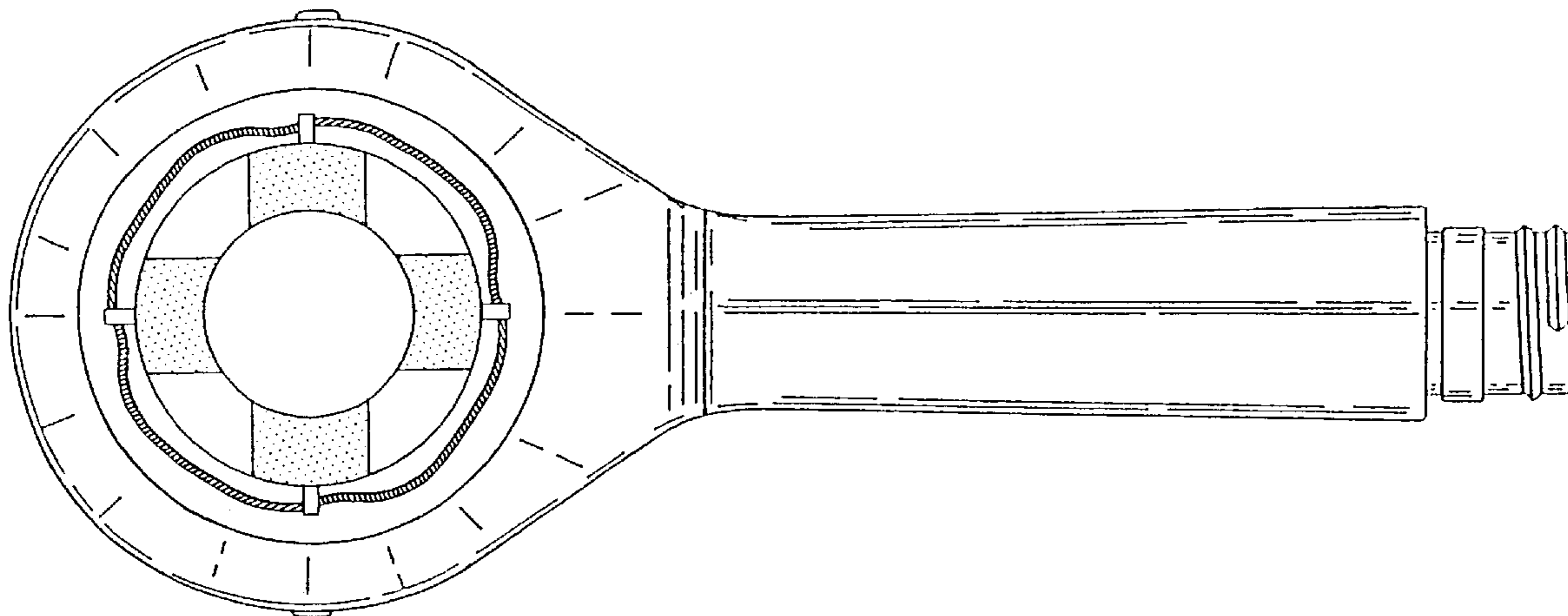
**DESCRIPTION**

FIG. 1 is a top plan view of a liquid and lotion applicator  
showing my new design;

FIG. 2 is a side elevation of the liquid and lotion applicator,  
the opposite side elevation is a mirror image thereto except  
for the continuous screw threading on the neck; and,

FIG. 3 is a bottom plan view thereof.

**1 Claim, 2 Drawing Sheets**



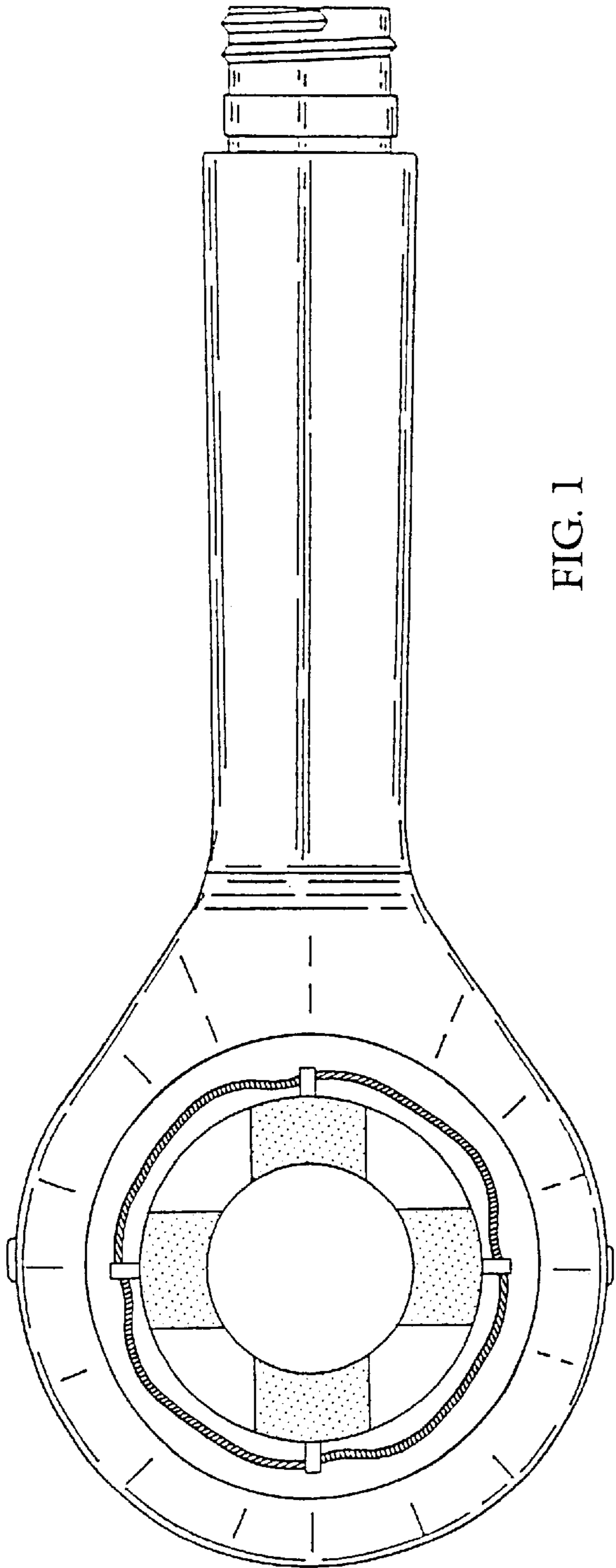


FIG. 1

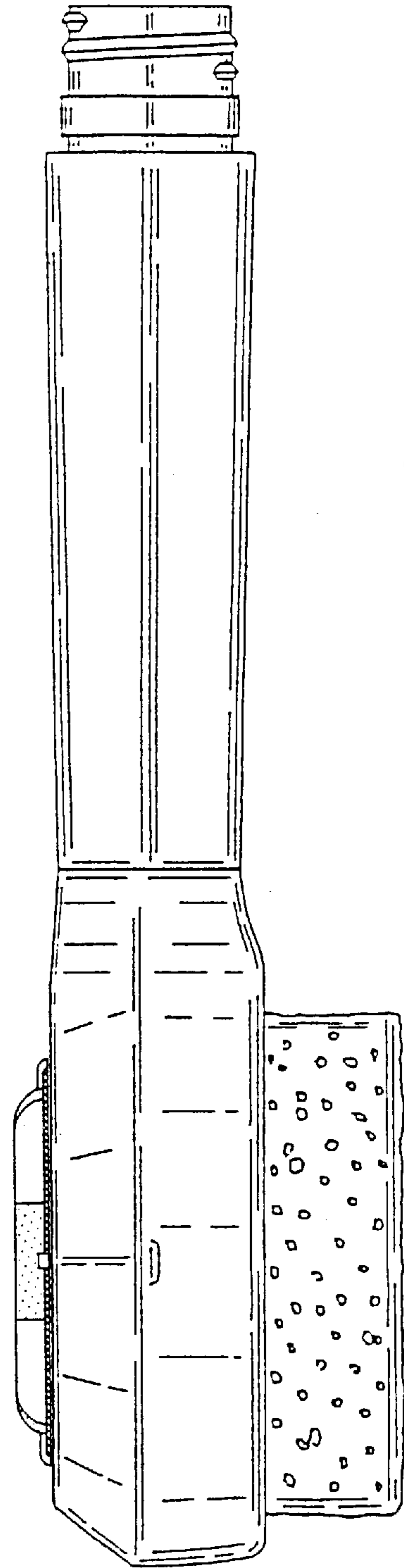


FIG. 2

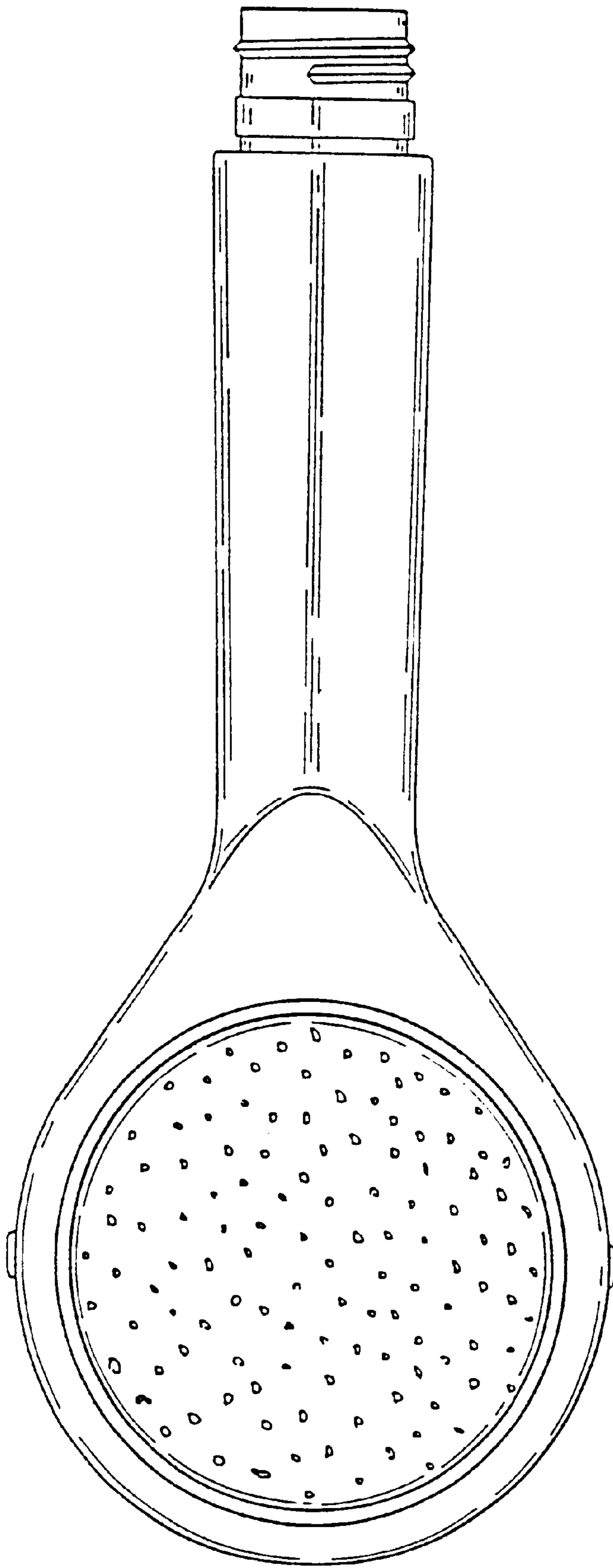


FIG. 3