



US00D460577S

(12) **United States Design Patent** (10) **Patent No.:** **US D460,577 S**  
**Pogroszewski** (45) **Date of Patent:** **\*\* Jul. 16, 2002**

(54) **DESK LAMP WITH AUTOMOBILE SPOILER MOTIF**

(76) Inventor: **Michael Pogroszewski**, 9272 Borden Ave., Sun Valley, CA (US) 91352

(\*\*) Term: **14 Years**

(21) Appl. No.: **29/134,189**

(22) Filed: **Dec. 14, 2000**

(51) **LOC (7) Cl.** ..... **26-03**

(52) **U.S. Cl.** ..... **D26/97**

(58) **Field of Search** ..... D26/61-66, 93, D26/94, 97, 106, 107-109, 34; 362/217, 410-414, 806; D12/181; 296/57.1, 78.1, 180.1, 180.5

(56) **References Cited**

**U.S. PATENT DOCUMENTS**

D239,168 S	*	3/1976	Hart	.....	D12/181
D273,671 S	*	5/1984	Ford	.....	D12/181
4,558,898 A	*	12/1985	Deaver	.....	296/180.1
D290,453 S	*	6/1987	Konen et al.	.....	D12/181
D322,331 S	*	12/1991	Tsuji	.....	D26/97
6,139,090 A	*	10/2000	Stidd	.....	296/180.5

\* cited by examiner

*Primary Examiner*—Alan P. Douglas

*Assistant Examiner*—Linda Brooks

(74) *Attorney, Agent, or Firm*—John E. Wagner; Robert C. Smith; Sam Bernardo

(57) **CLAIM**

The ornamental design for a desk lamp with automobile spoiler motif, as shown and described.

**DESCRIPTION**

FIG. 1 is a perspective view of a desk lamp with automobile

spoiler motif according to the invention in which the base is in the form of an instrument panel and the lamp shade has the form of a spoiler used on an automobile;

FIG. 2 is a front elevational view of the lamp of FIG. 1;

FIG. 3 is a rear elevational view of the lamp of FIGS. 1 and 2;

FIG. 4 is a top plan view of the lamp of FIGS. 1-3;

FIG. 5 is a right side view of the lamp of FIGS. 1-4, the left side view being a mirror image thereof;

FIG. 6 is a cross sectional view taken along line 6-6 of FIG. 2 showing the exact contours or configurations of the lamp shade members not clearly visible in FIGS. 1-5;

FIG. 7 is a front elevational view of an alternative embodiment of the new desk lamp with automobile spoiler motif design;

FIG. 8 is a rear elevational view of the lamp of FIG. 7;

FIG. 9 is a top plan view of the lamp of FIGS. 7 and 8;

FIG. 10 is a right side view of the lamp of FIGS. 7-9, the left side view being a mirror image thereof;

FIG. 11 is a front elevational view of a another alternative embodiment of the new lamp design;

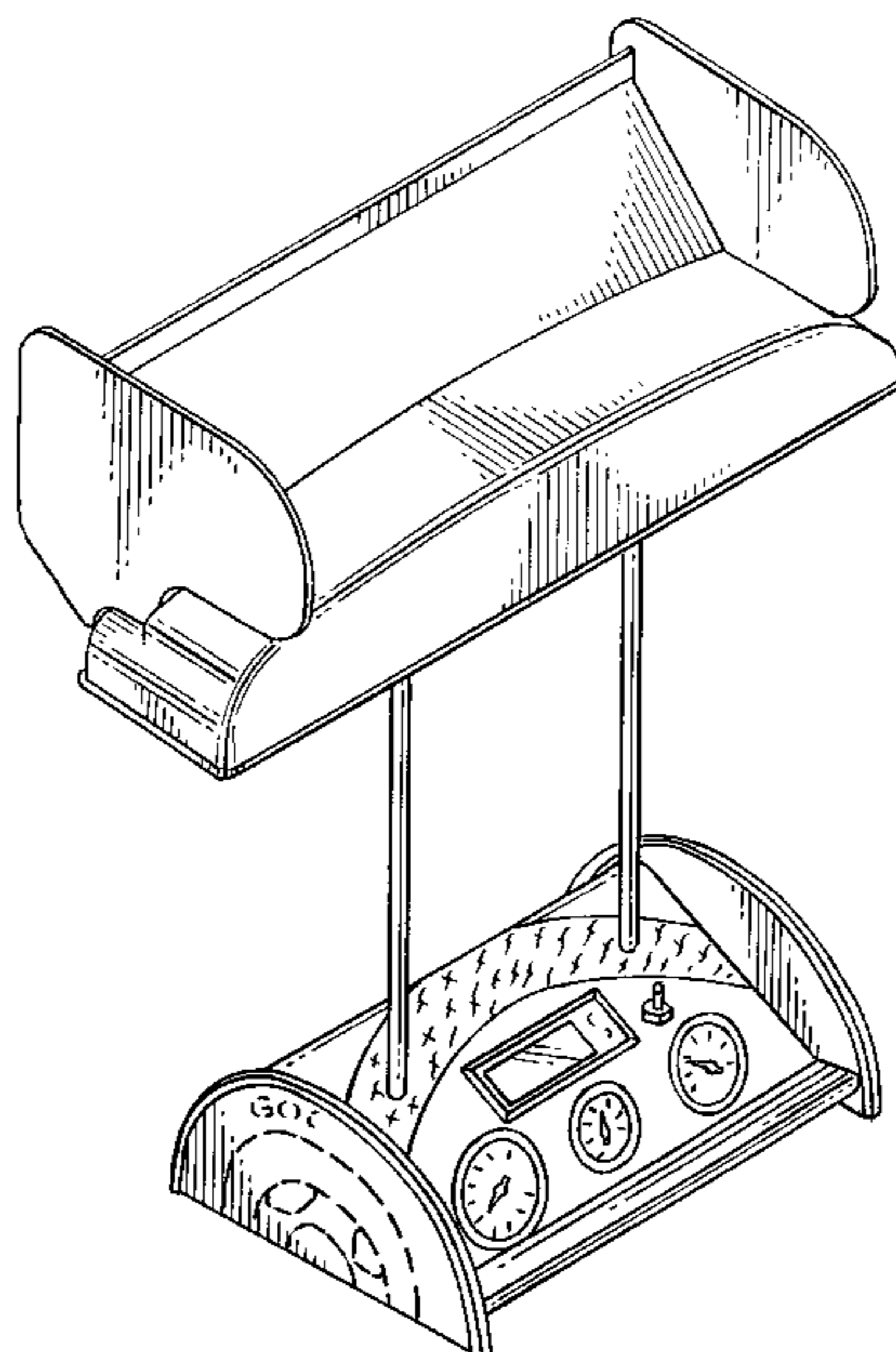
FIG. 12 is a rear elevational view of the lamp of FIG. 11;

FIG. 13 is a top plan view of the lamp of FIGS. 11 and 12; and,

FIG. 14 is a right side elevational view of the lamp of FIGS. 11-13, the left side elevational view being a mirror image thereof.

Details shown in dashed dotted lines are for illustrative purposes only and form no part of the claimed design.

**1 Claim, 7 Drawing Sheets**



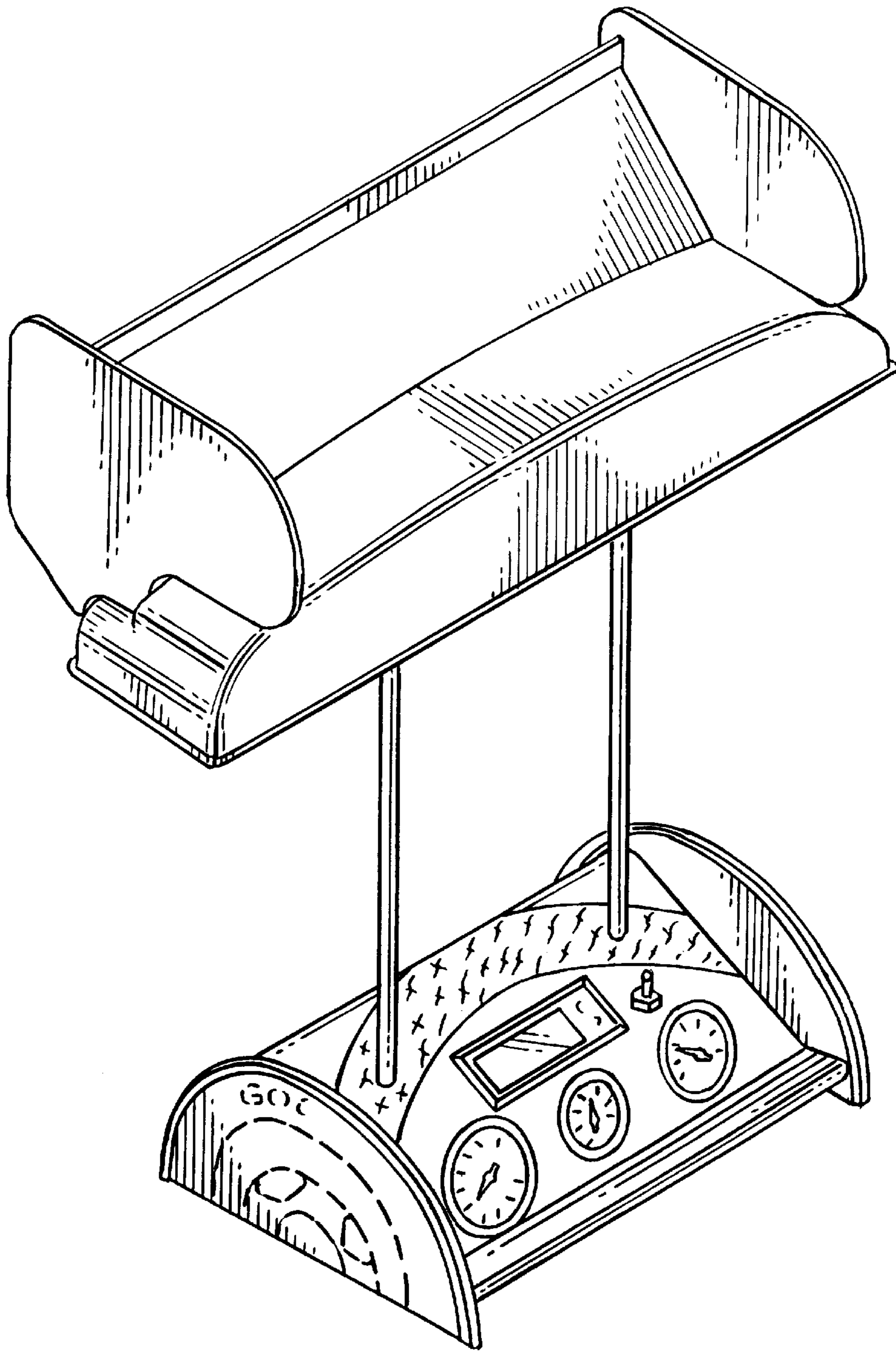


FIG. 1.

FIG. 2.

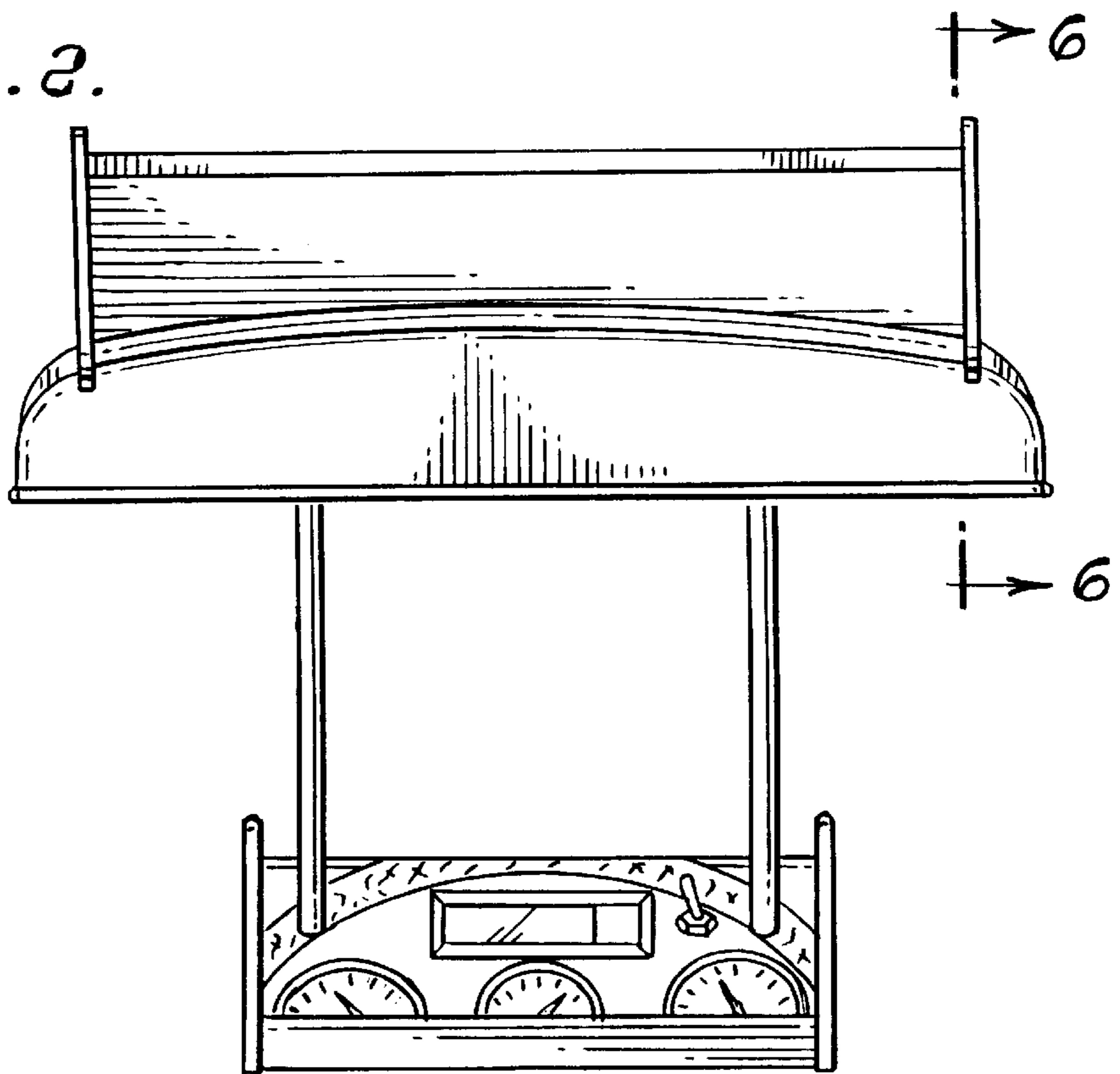


FIG. 3.

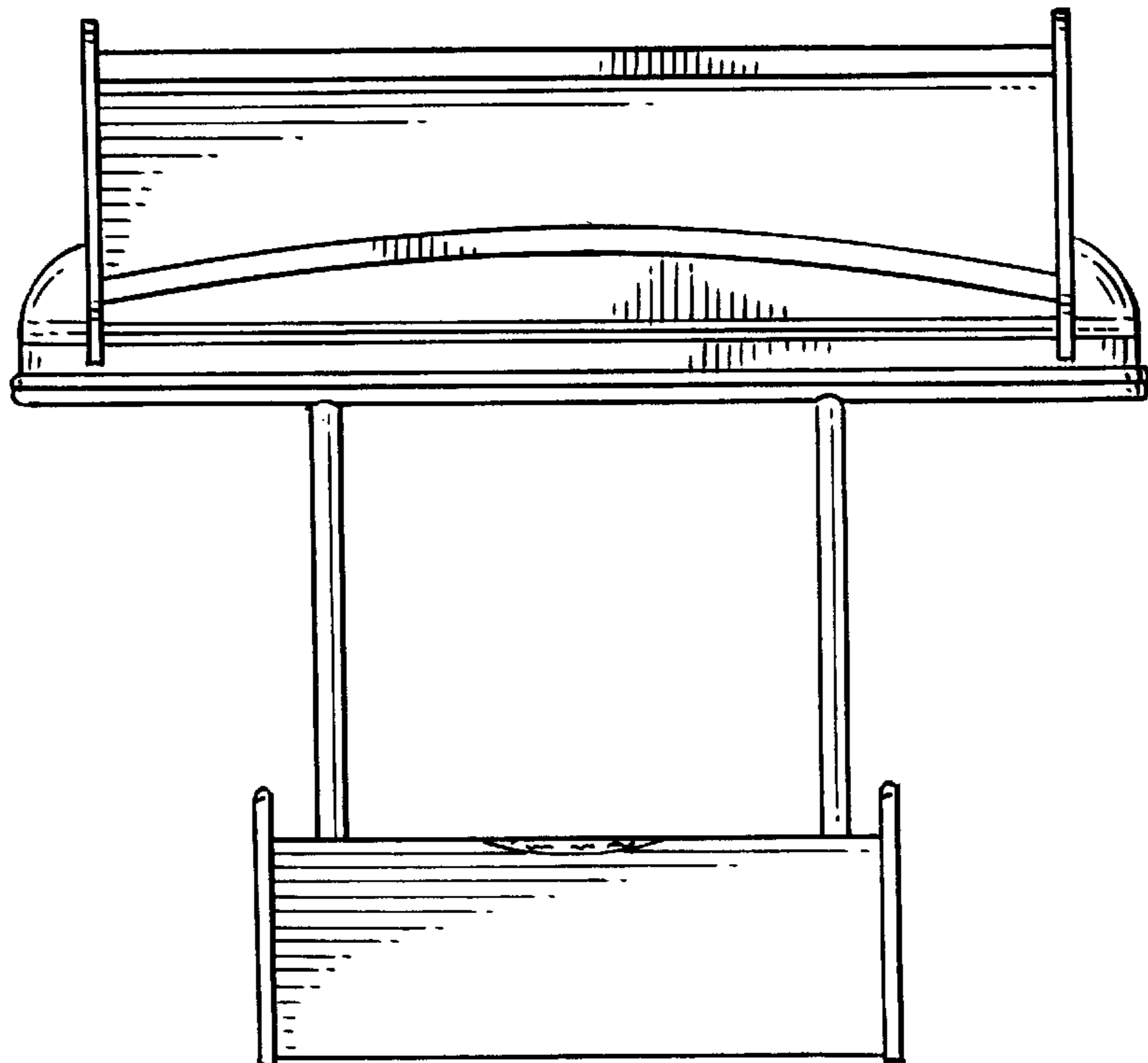


FIG. 4.

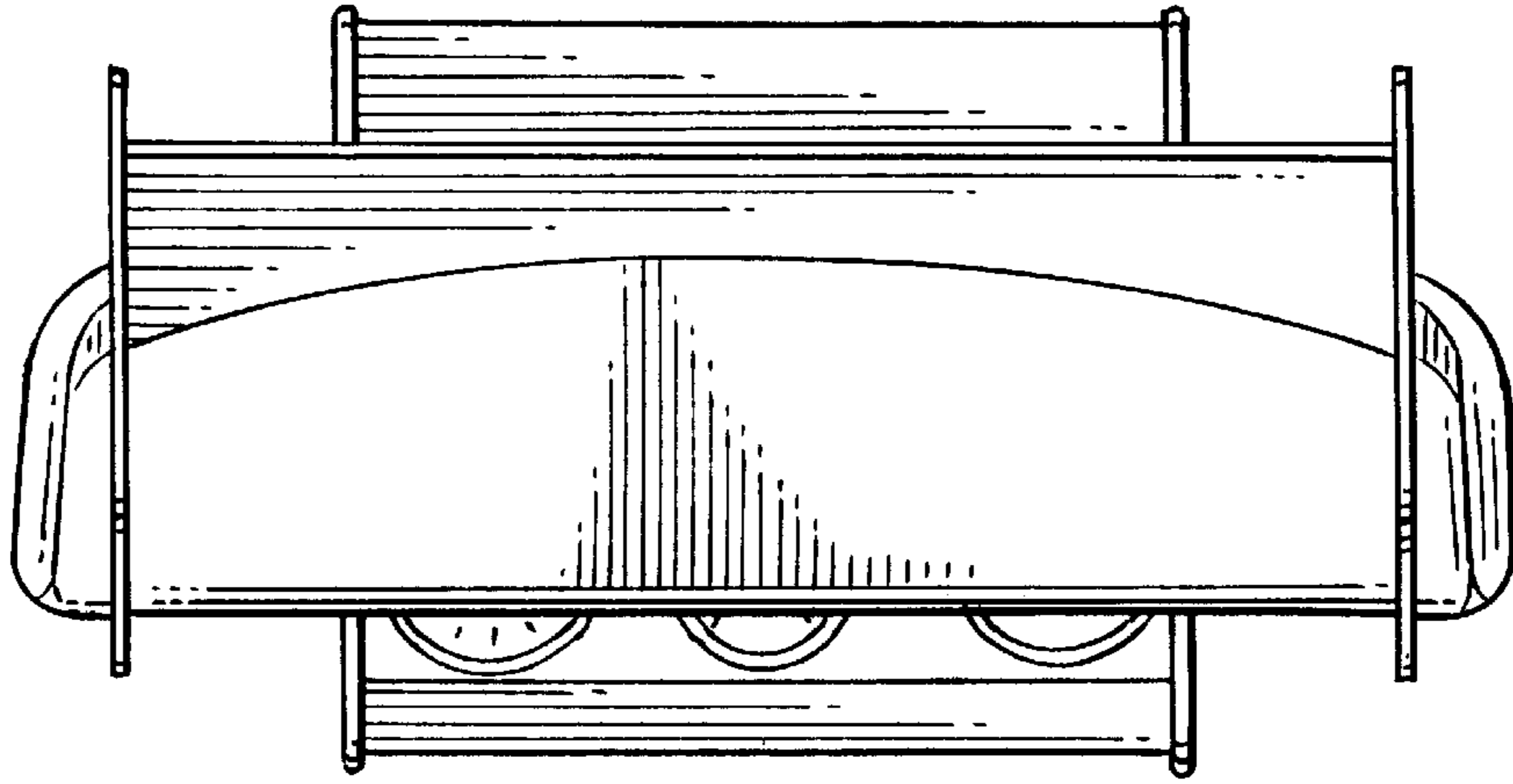


FIG. 6.

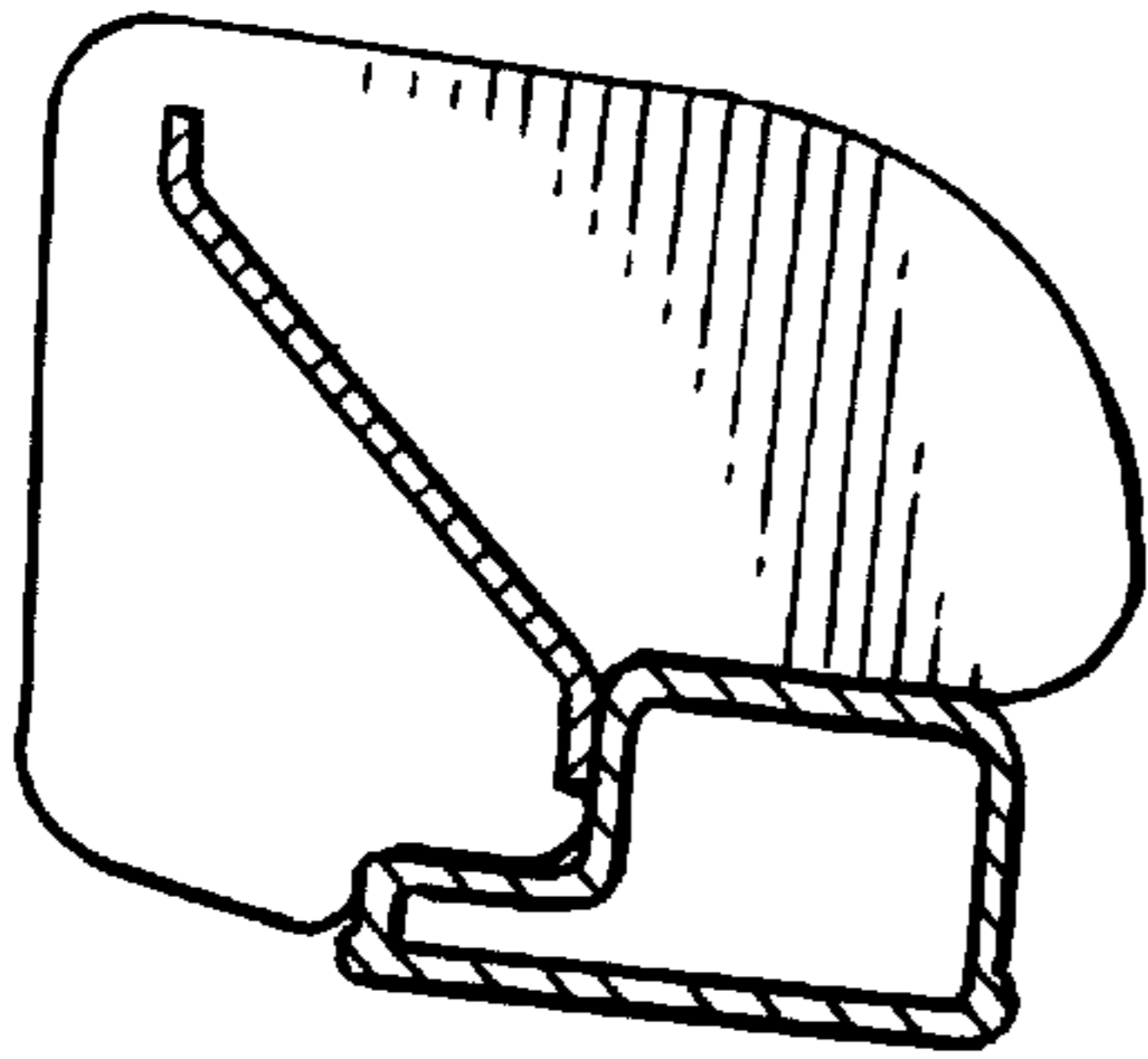


FIG. 5.

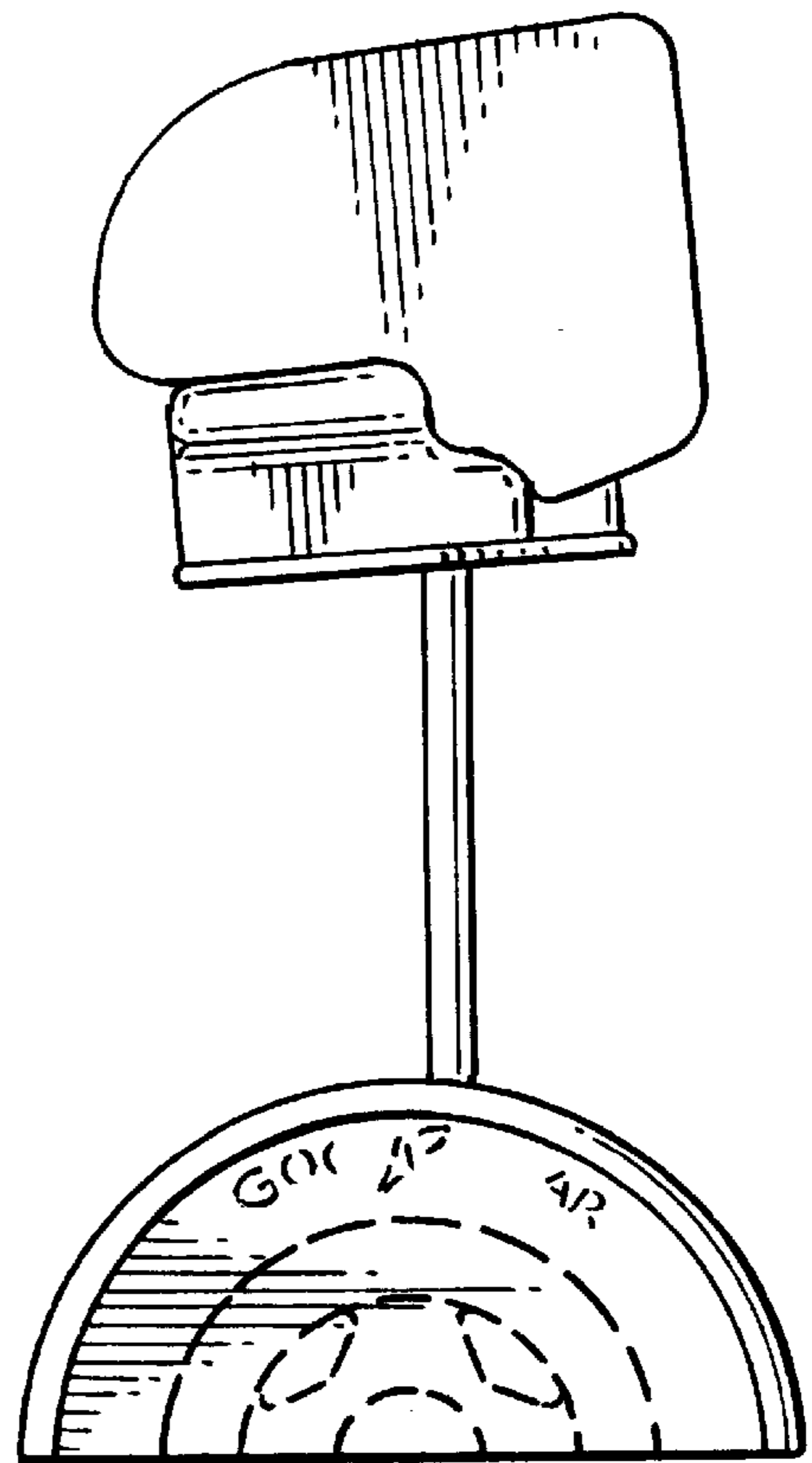


FIG. 7.

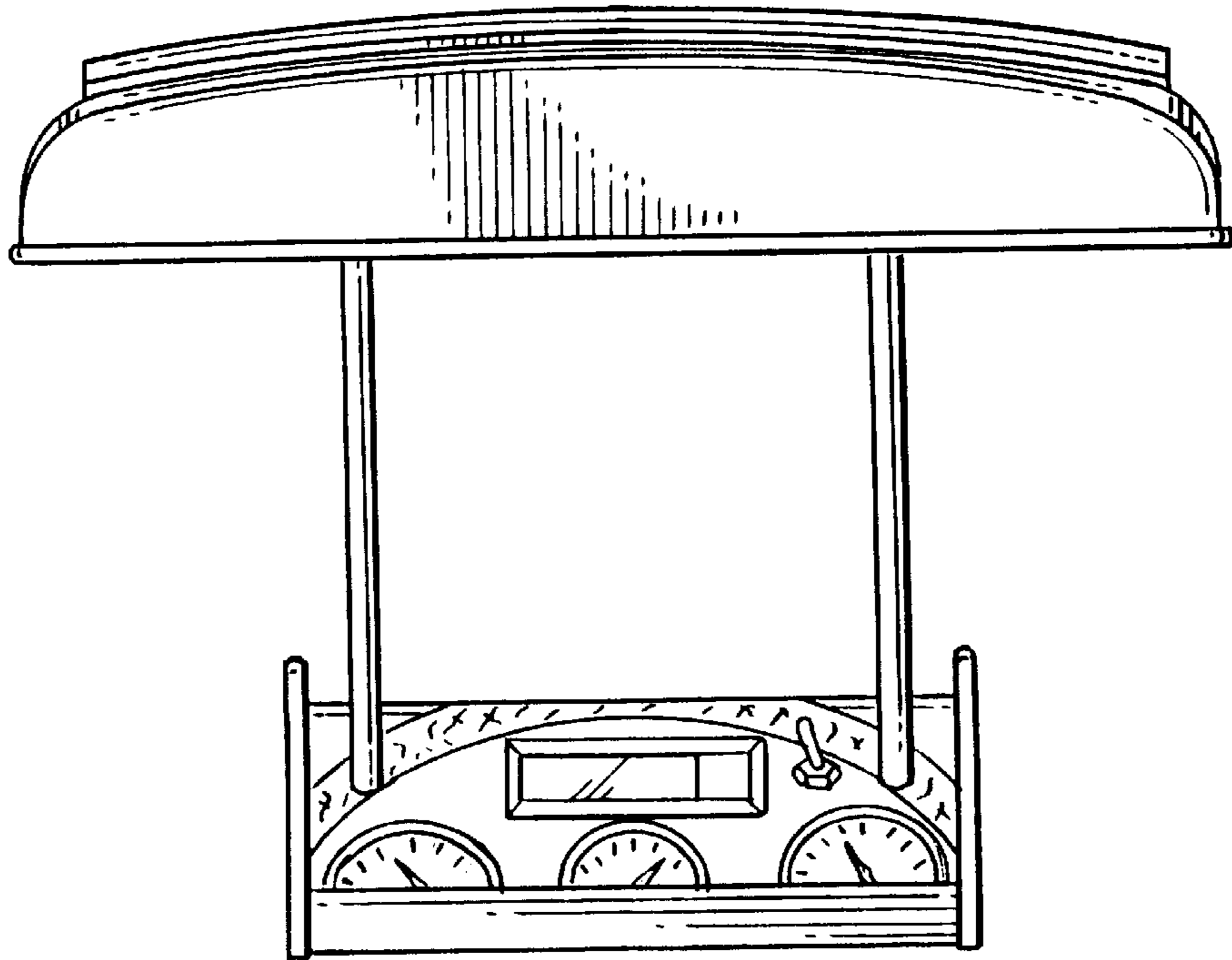


FIG. 8.

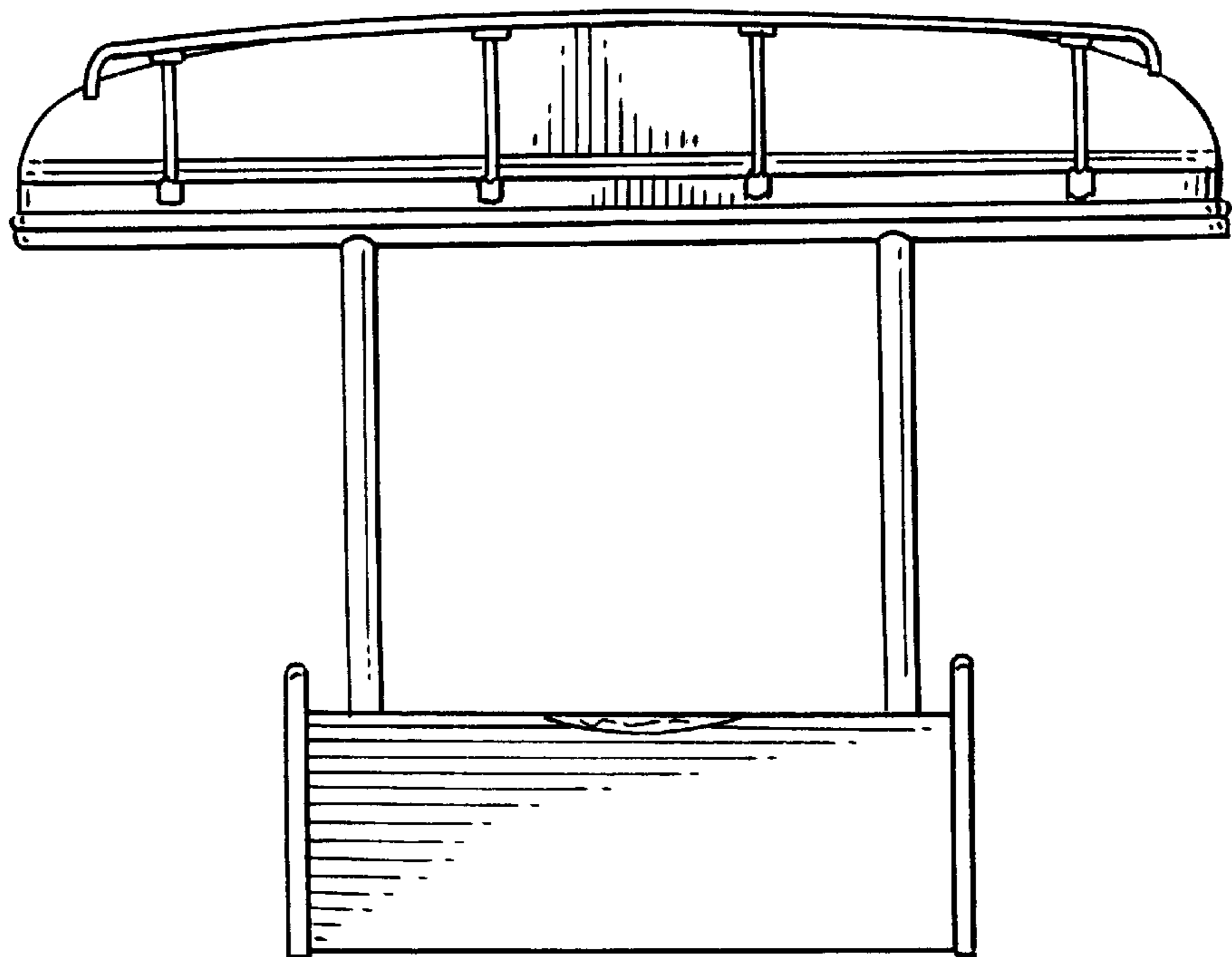


FIG. 9.

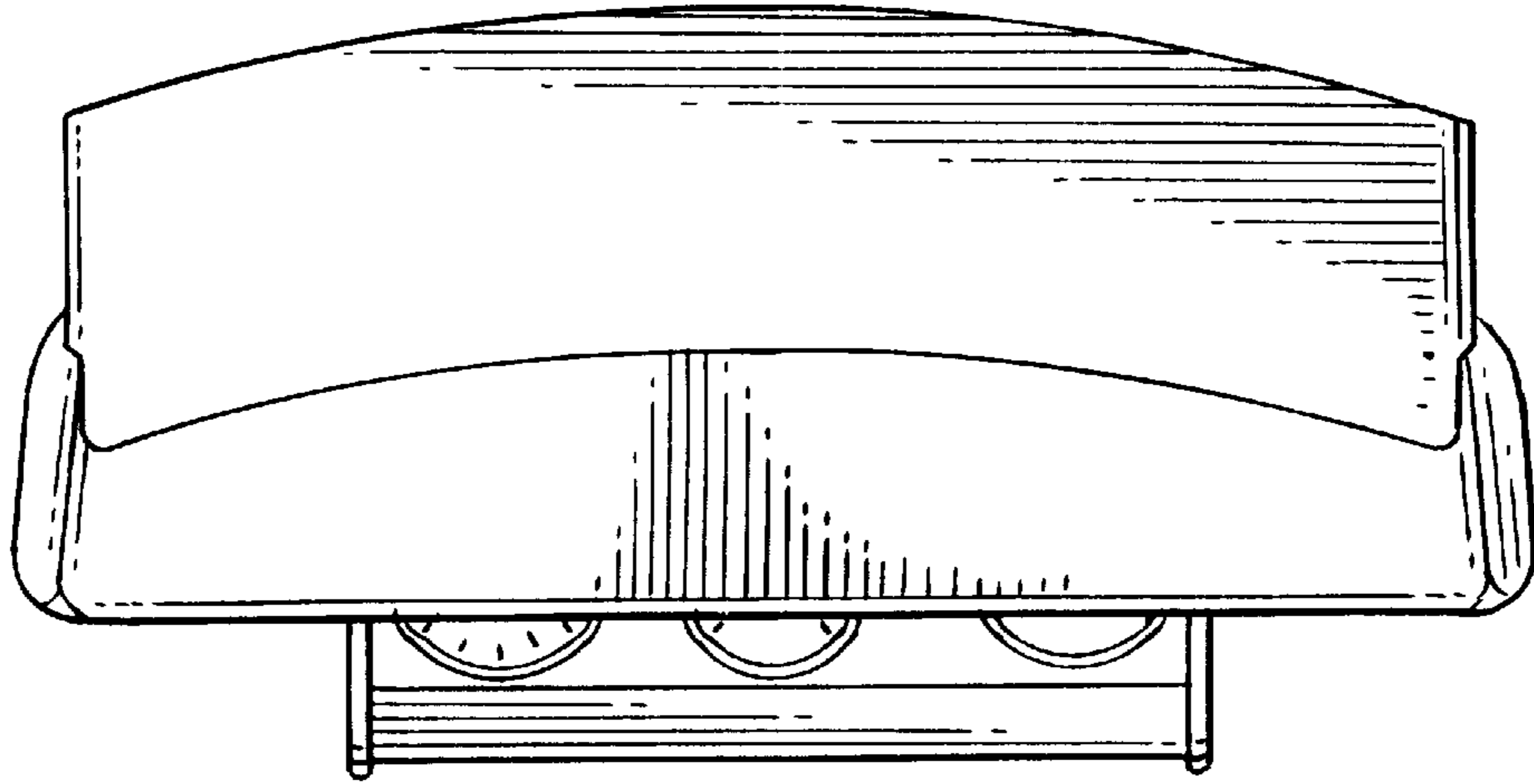
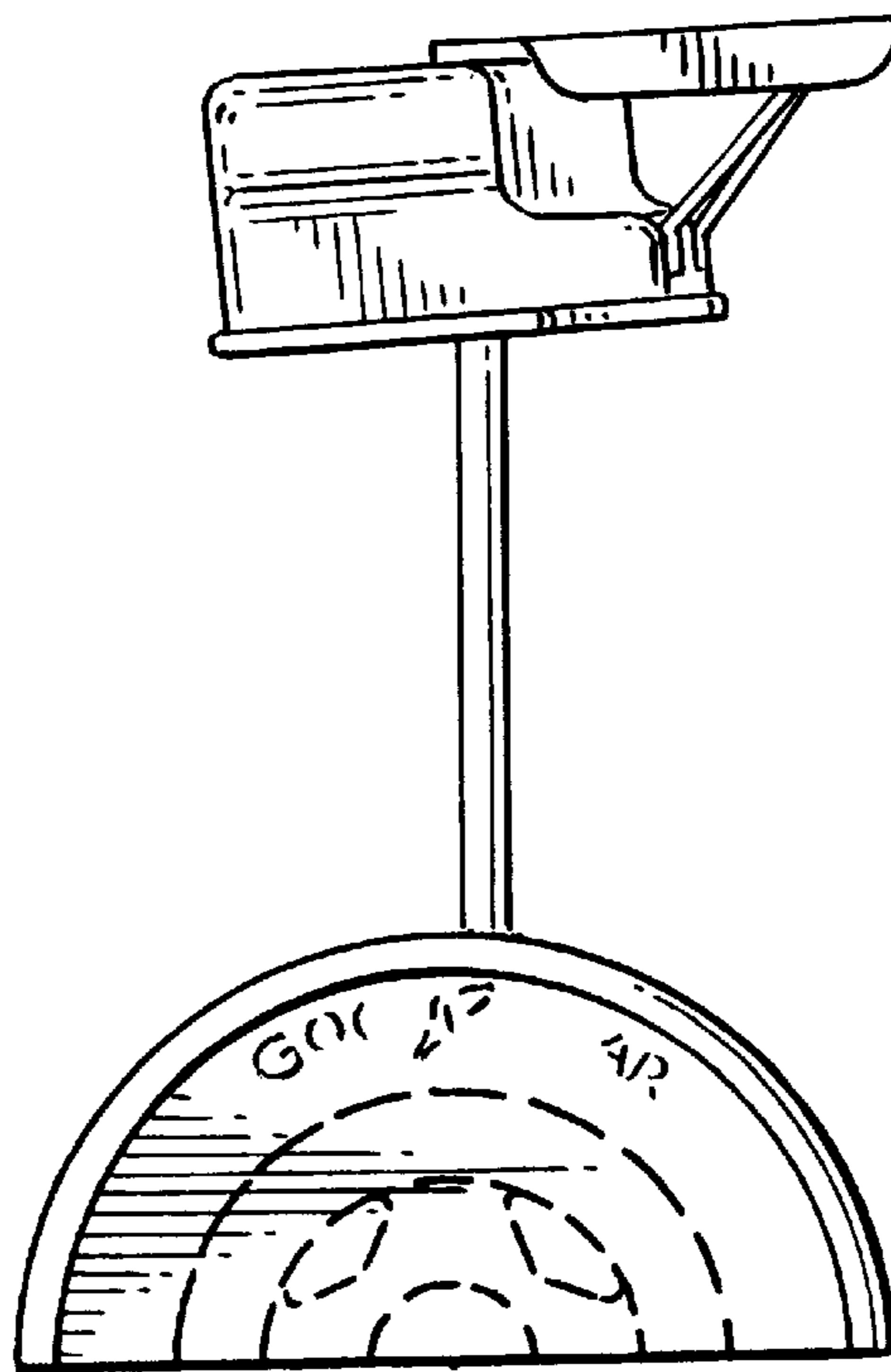
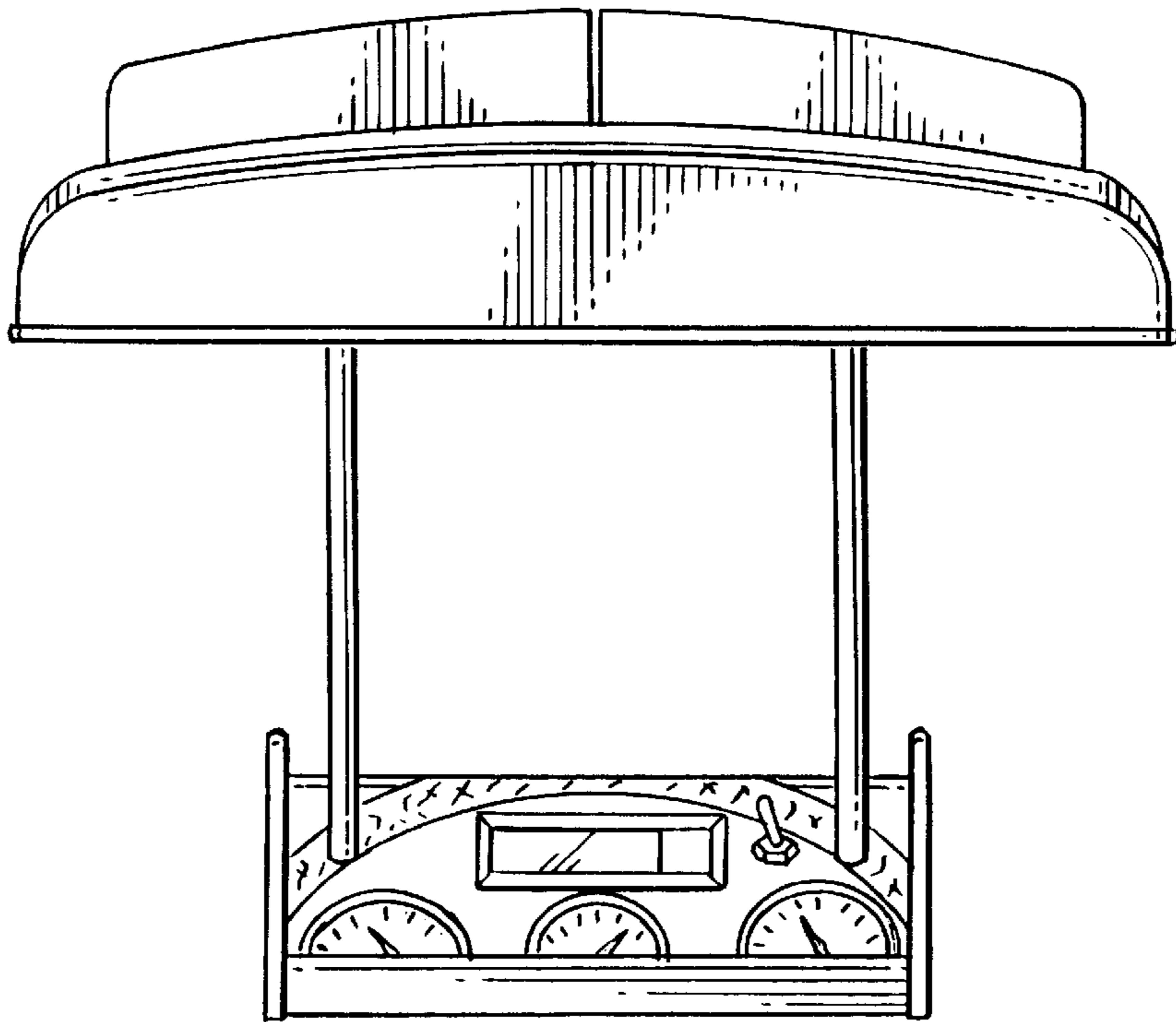


FIG. 10.



*FIG. 11.*



*FIG. 12.*

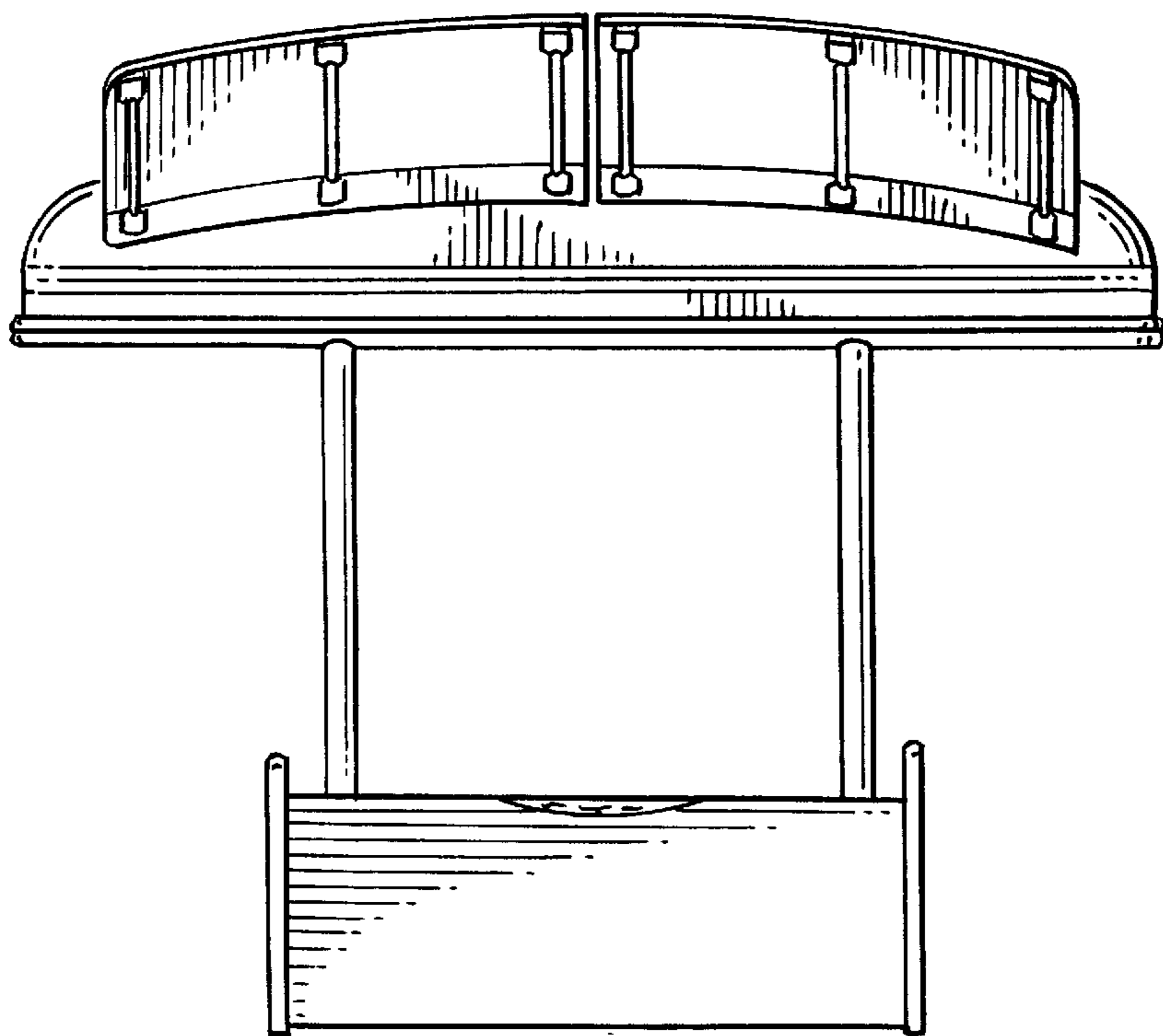


FIG. 13.

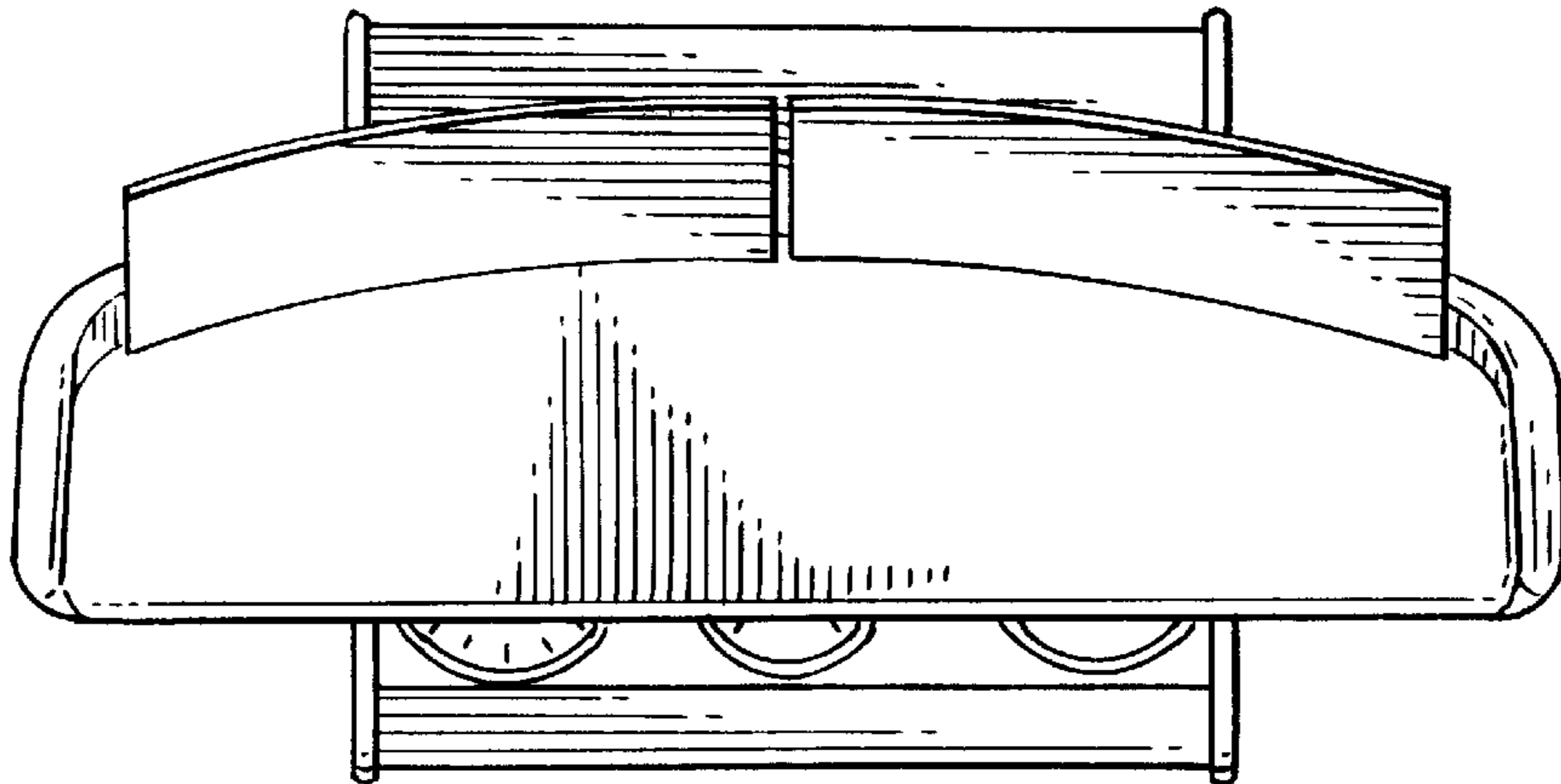


FIG. 14.

