



US00D460576S

(12) **United States Design Patent** (10) **Patent No.:** **US D460,576 S**  
**Pogroszewski** (45) **Date of Patent:** **\*\* Jul. 16, 2002**

- (54) **DESK LAMP WITH RACE CAR MOTIF**
- (76) Inventor: **Michael Pogroszewski**, 9272 Borden Ave., Sun Valley, CA (US) 91352
- (\*\*) Term: **14 Years**
- (21) Appl. No.: **29/133,643**
- (22) Filed: **Dec. 2, 2000**
- (51) **LOC (7) Cl.** ..... **26-03**
- (52) **U.S. Cl.** ..... **D26/97**
- (58) **Field of Search** ..... D26/61-66, 93, D26/94, 97, 106-109, 34; 362/217, 410-414, 806; D12/181; 296/57.1, 78.1, 180.1, 180.5

- (56) **References Cited**
- U.S. PATENT DOCUMENTS
- D322,331 S \* 12/1991 Tsuji ..... D26/97
- 5,411,312 A \* 5/1995 Stallings ..... 296/180.1
- D377,331 S \* 1/1997 Murkett ..... D12/181

\* cited by examiner

*Primary Examiner*—Alan P. Douglas  
*Assistant Examiner*—Linda Brooks  
(74) *Attorney, Agent, or Firm*—John E. Wagner; Robert C. Smith; Sam Bernardo

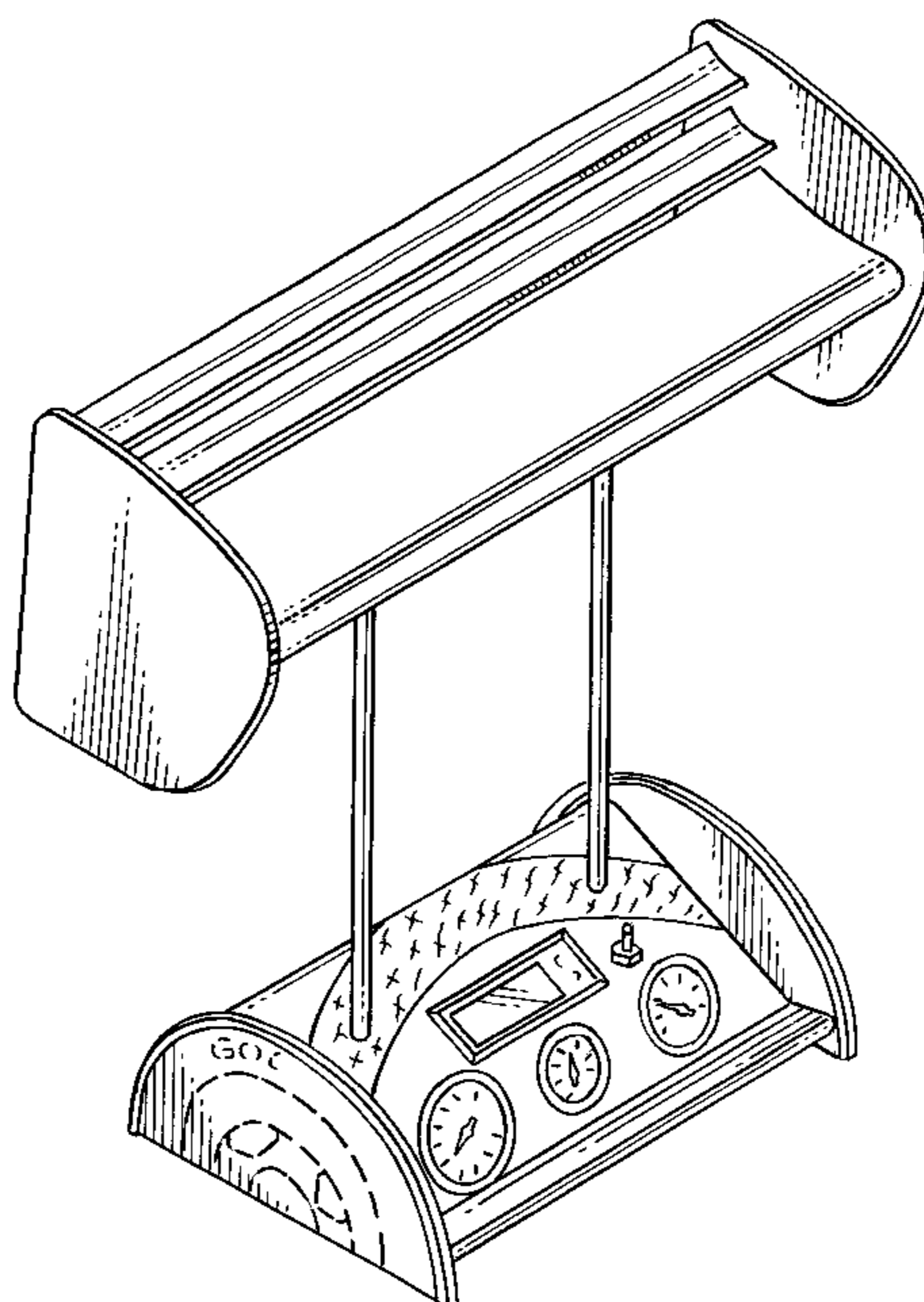
(57) **CLAIM**  
The ornamental design for a desk lamp with race car motif, as shown and described.

**DESCRIPTION**

FIG. 1 is a perspective view of a desk lamp with race car motif according to the invention in which the lamp shade has the form of a wing used on a racing car;

FIG. 2 is a front elevational view of the lamp of FIG. 1; FIG. 3 is a rear elevational view of the lamp of FIGS. 1 and 2; FIG. 4 is a top plan view of the lamp of FIGS. 1-3; FIG. 5 is a right side view of the lamp of FIGS. 1-4, the left side view being a mirror image thereof; FIG. 6 is a cross sectional view taken along line 6-6 of FIG. 2 showing the exact contours or configurations of the lamp shade members not visible in FIGS. 1-5; FIG. 7 is a front elevational view of an alternative embodiment of the new desk lamp with race car motif design; FIG. 8 is a rear elevational view of the lamp of FIG. 7; FIG. 9 is a top plan view of the lamp of FIGS. 7 and 8; FIG. 10 is a right side view of the lamp of FIGS. 7-9, the left side view being a mirror image thereof; FIG. 11 is a cross sectional view taken along line 11-11 of FIG. 7 showing the exact contours and configurations of lamp shade members not visible in FIGS. 7-10; FIG. 12 is a front elevational view of a further alternative embodiment of the new lamp design; FIG. 13 is a rear elevational view of the lamp of FIG. 12; FIG. 14 is a top plan view of the lamp of FIGS. 12 and 13; FIG. 15 is a right side elevational view of the lamp of FIGS. 12-14, the left side elevational view being a mirror image thereof; FIG. 16 is a left side elevational view of the lamp of FIGS. 12-15; FIG. 17 is a cross sectional view taken along line 17-17 of FIG. 12 showing the exact contours or configurations of lamp shade members not visible in FIGS. 12-16; and, FIG. 18 is a cross sectional view taken along line 18-18 of FIG. 12 showing exact contours or configurations of lamp shade members not visible in FIGS. 12-16. Details shown in dashed dotted lines are for illustrative purposes only and form no part of the claimed design.

**1 Claim, 9 Drawing Sheets**



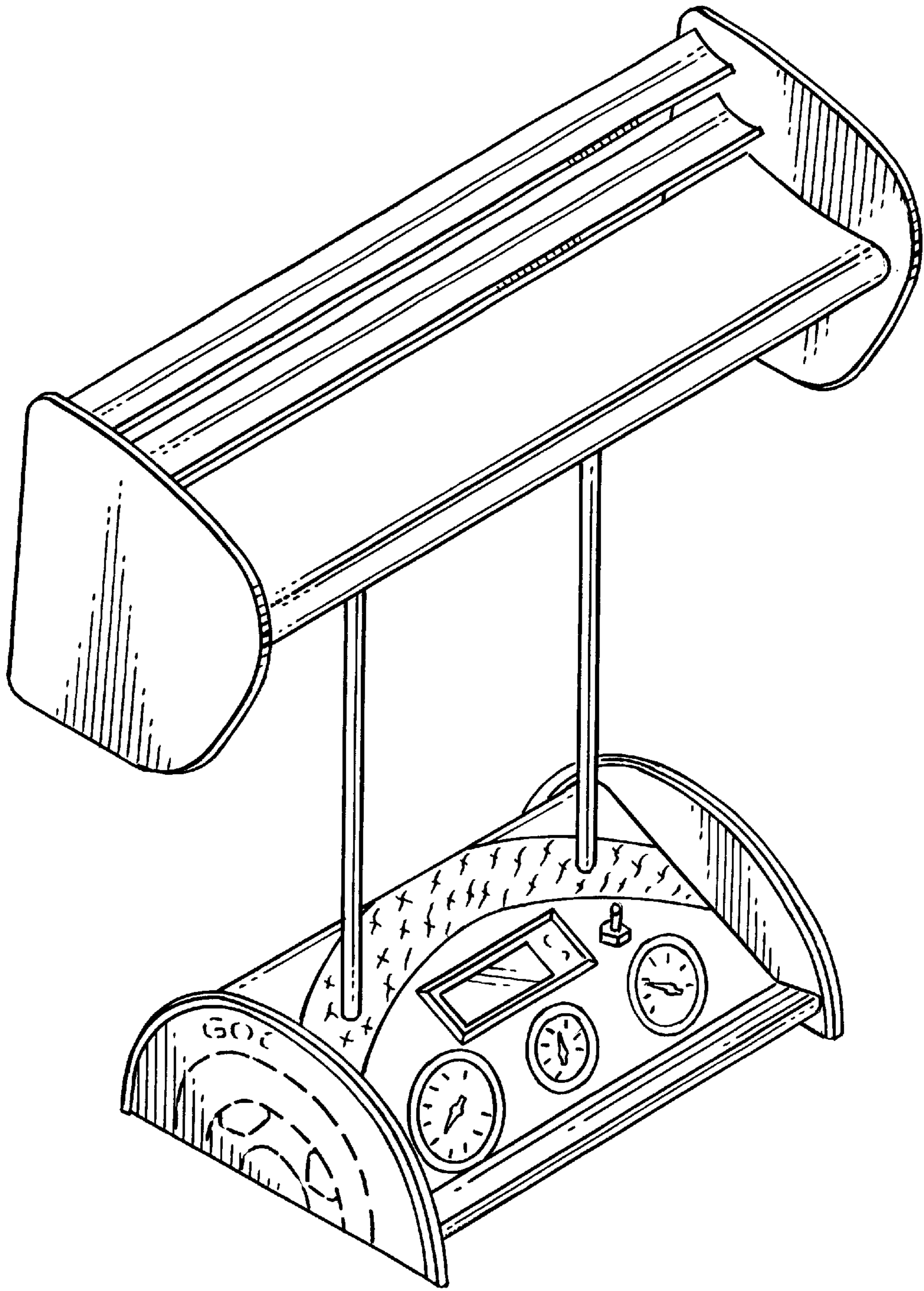


FIG. 1.

FIG. 2.

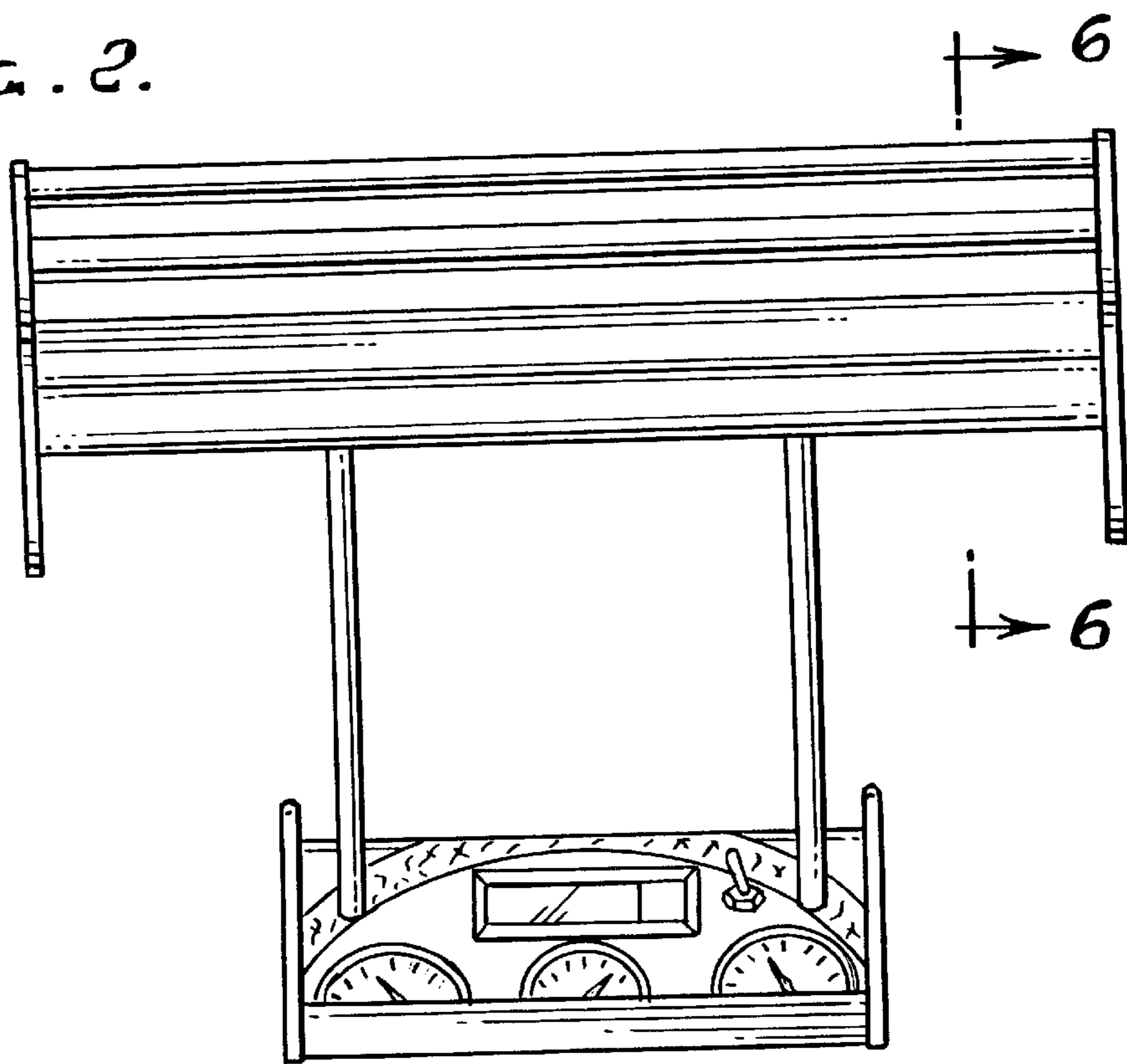


FIG. 3.

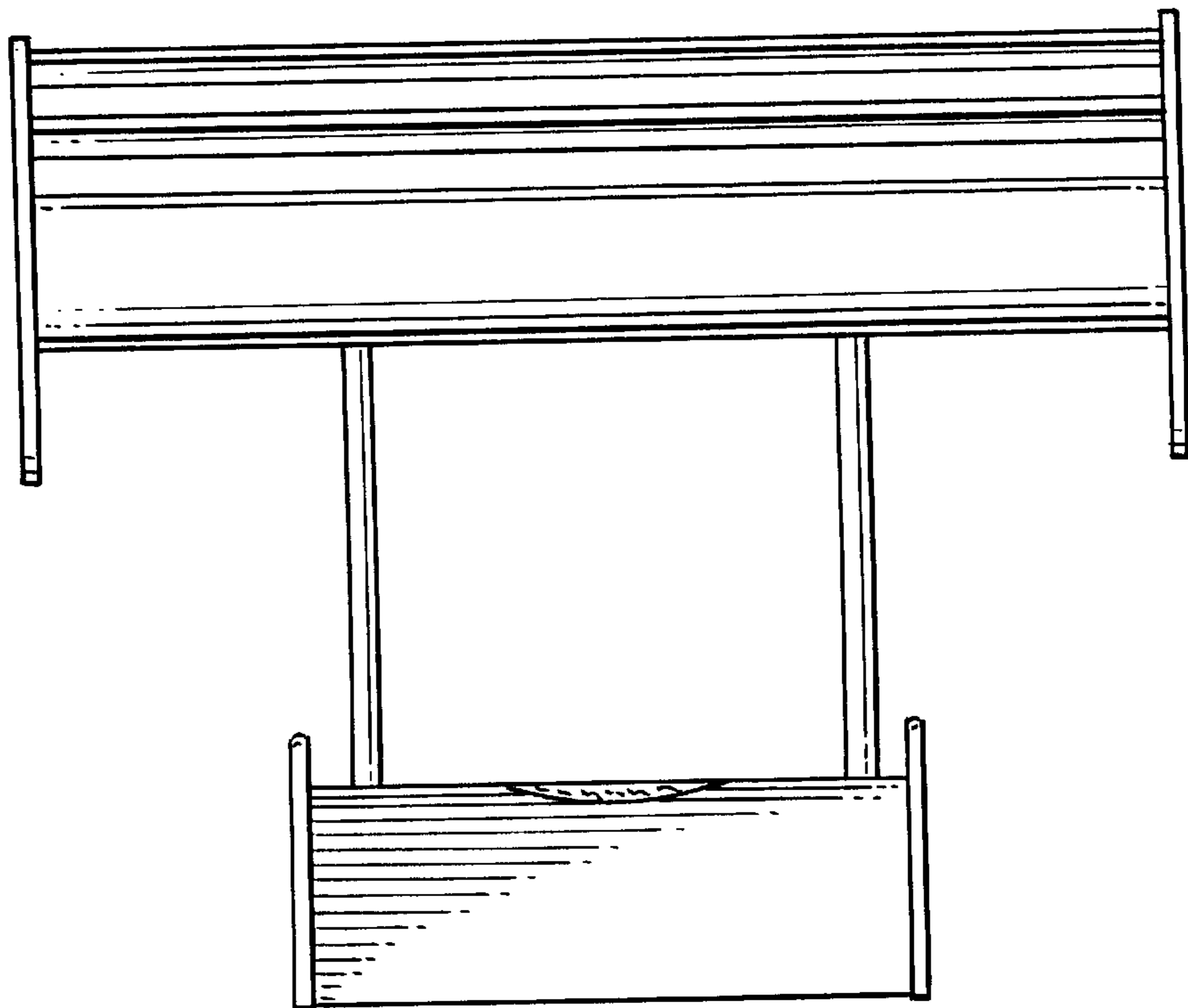


FIG. 9.

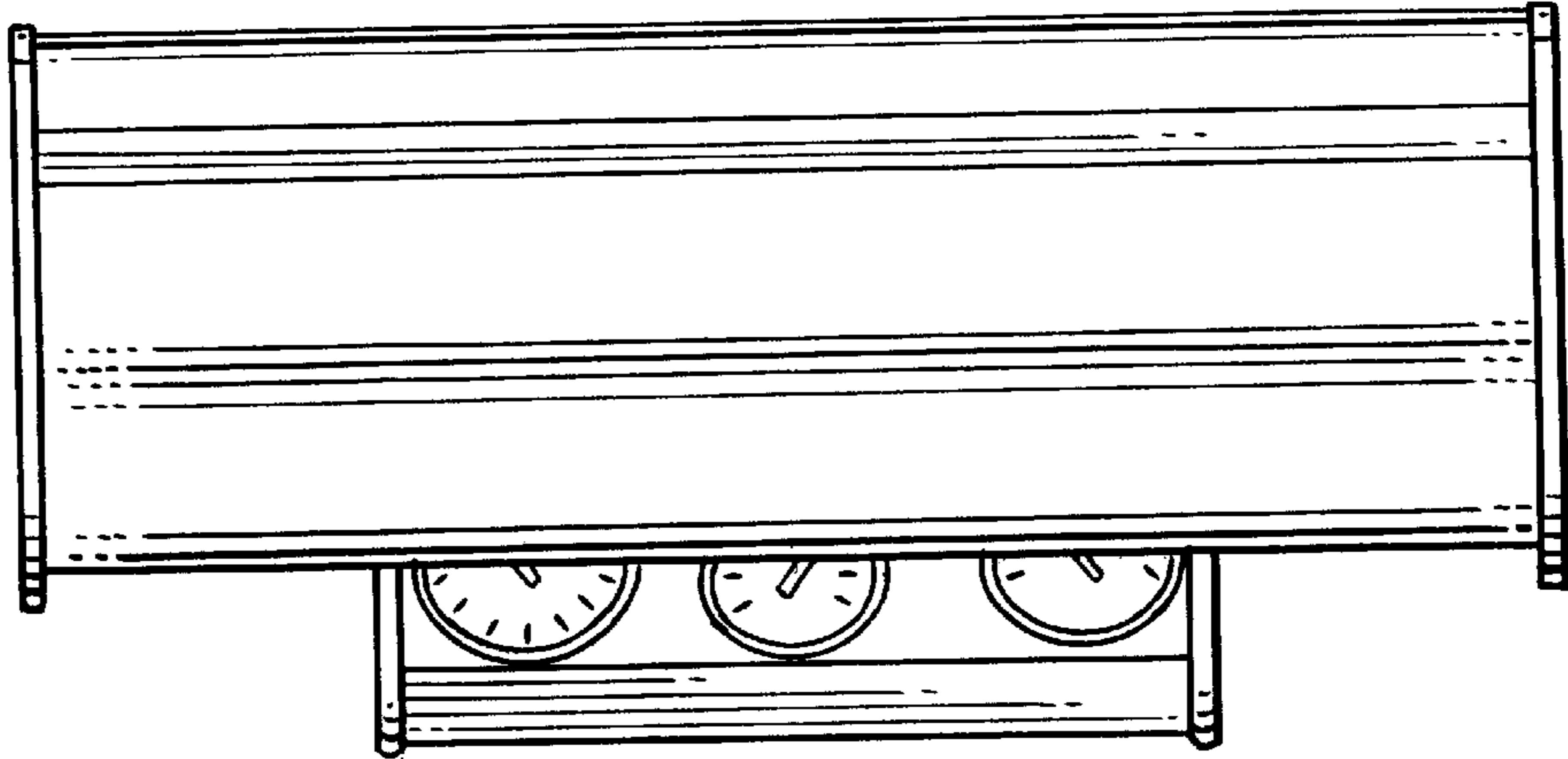


FIG. 6.

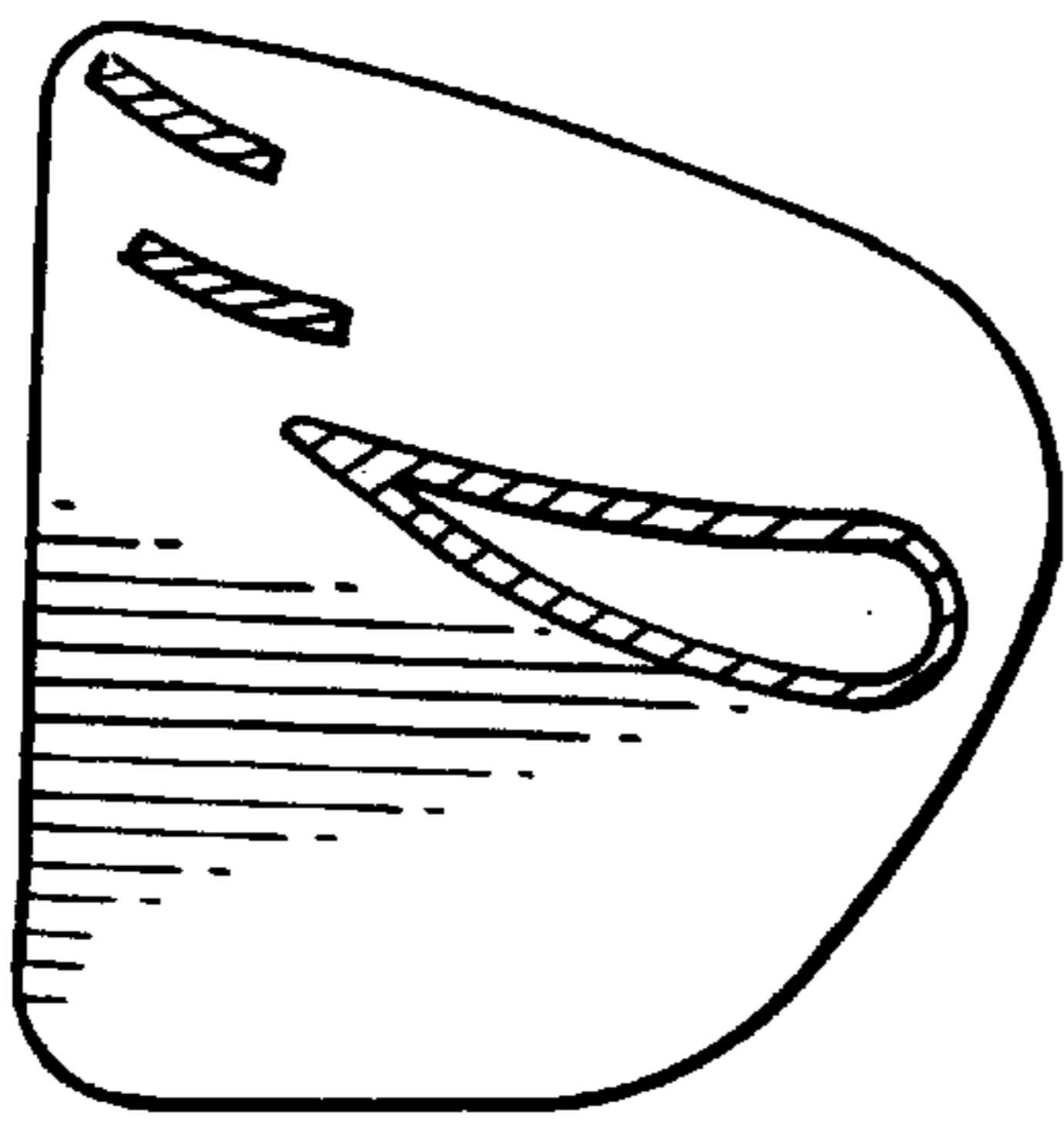


FIG. 5.

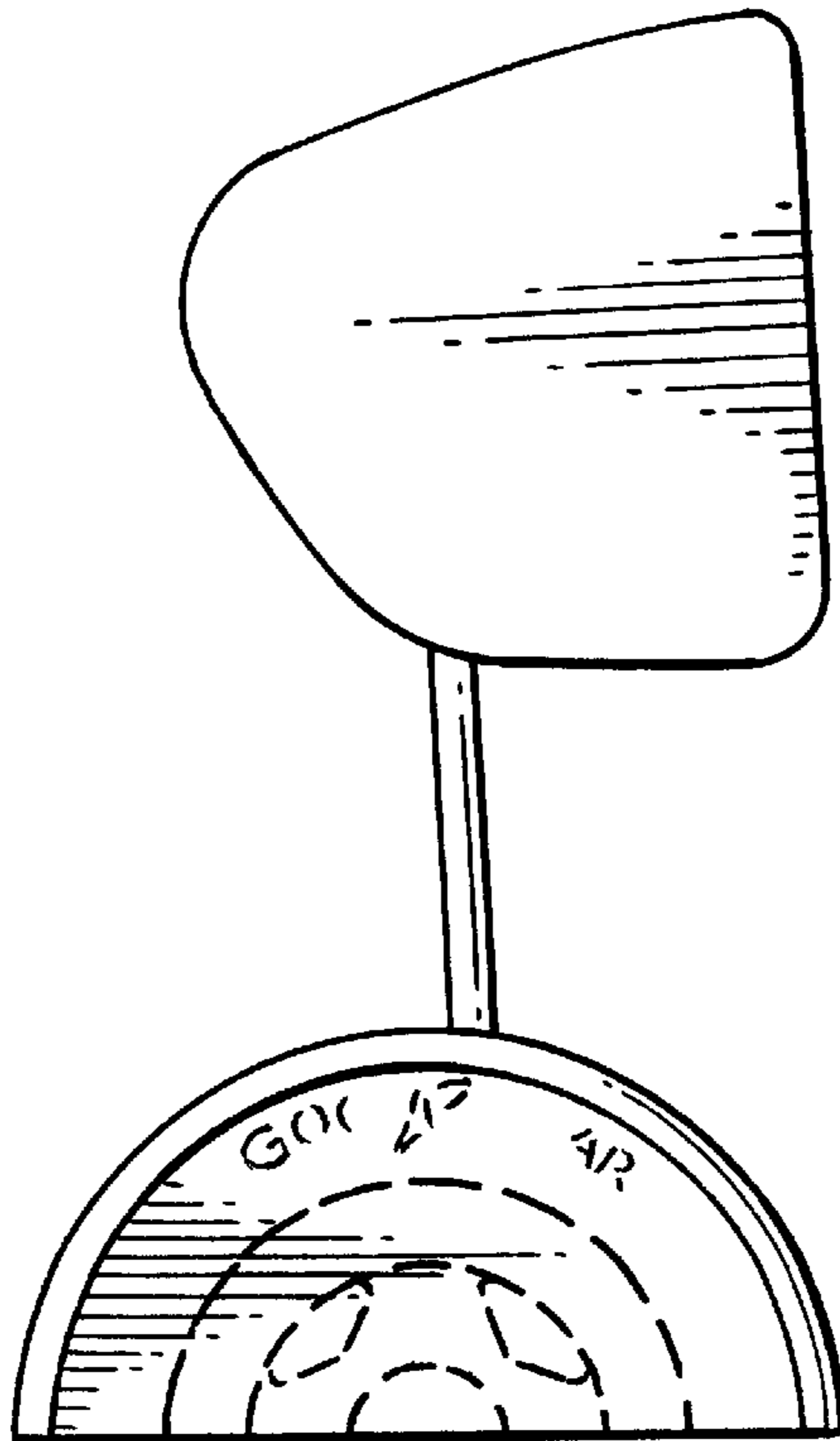


FIG. 7.

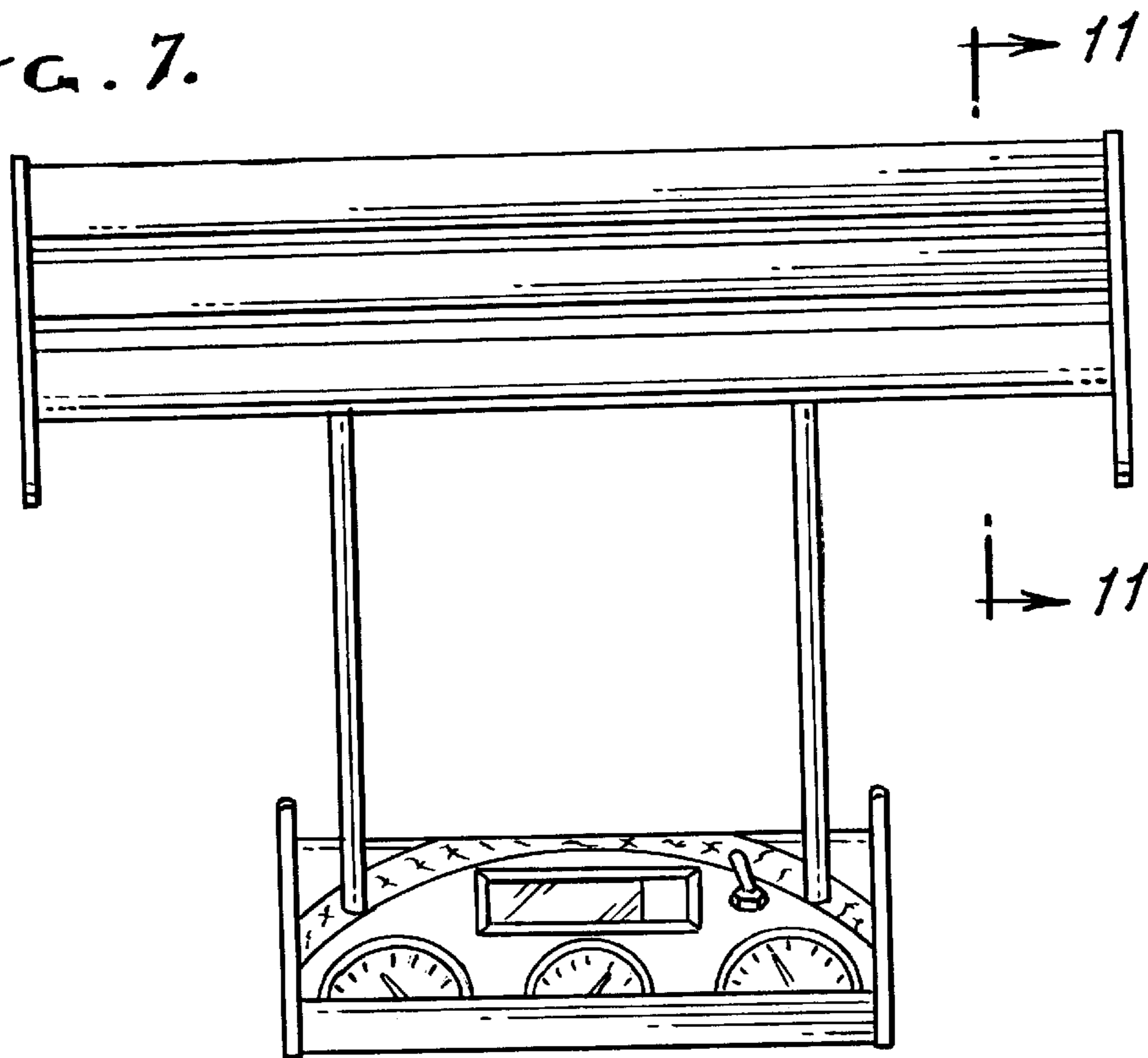


FIG. 8.

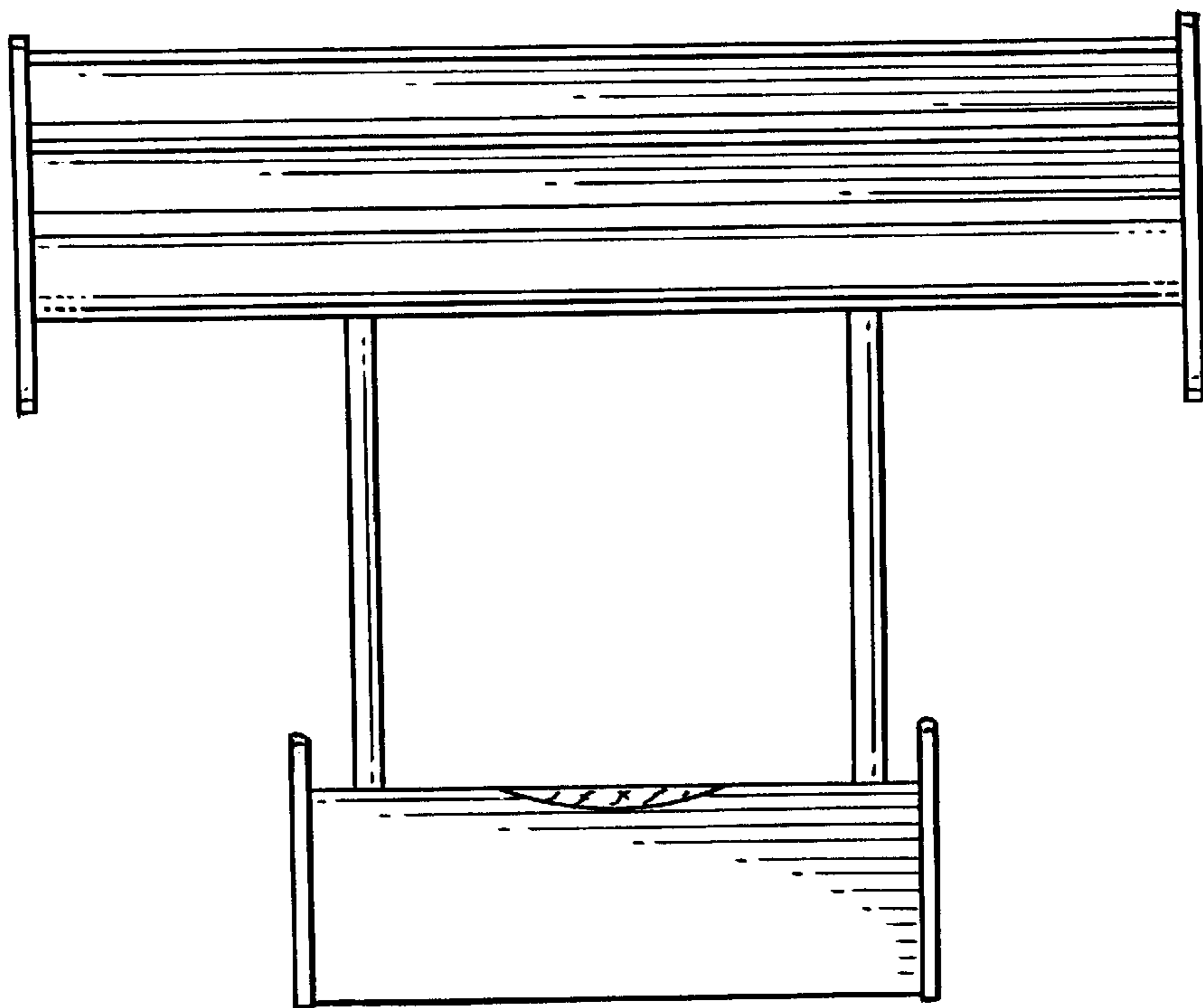


FIG. 9.

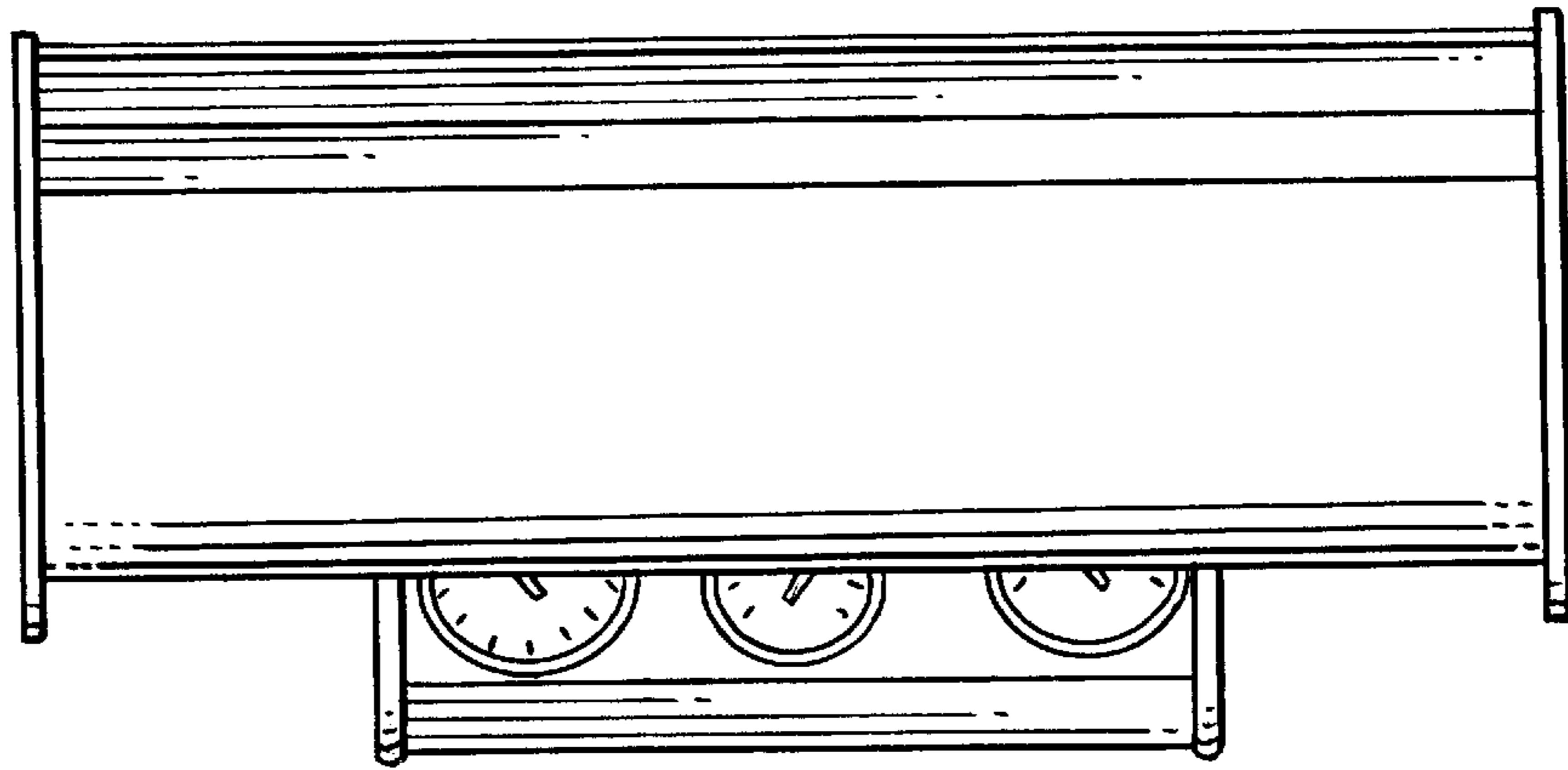


FIG. 11.

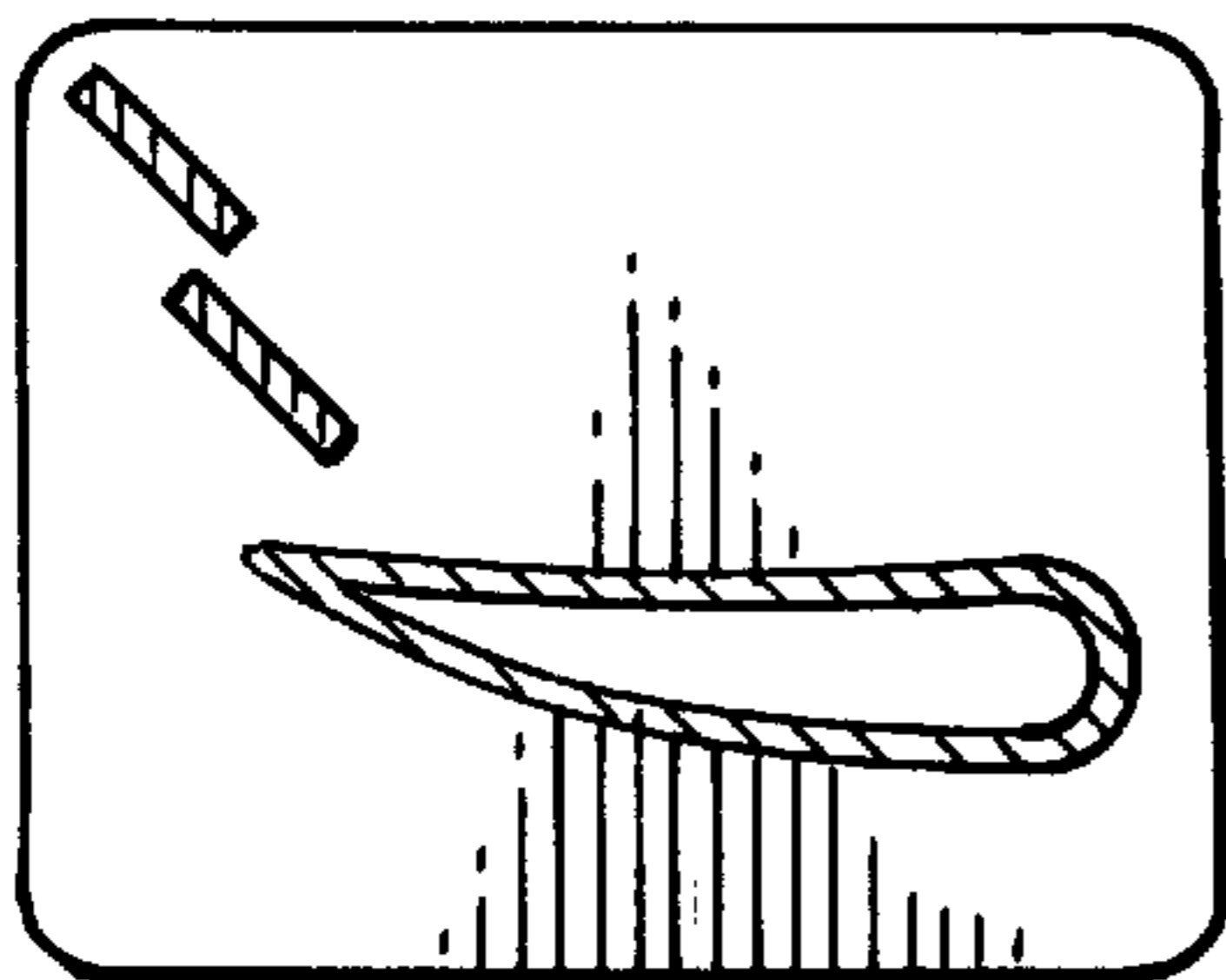


FIG. 10.

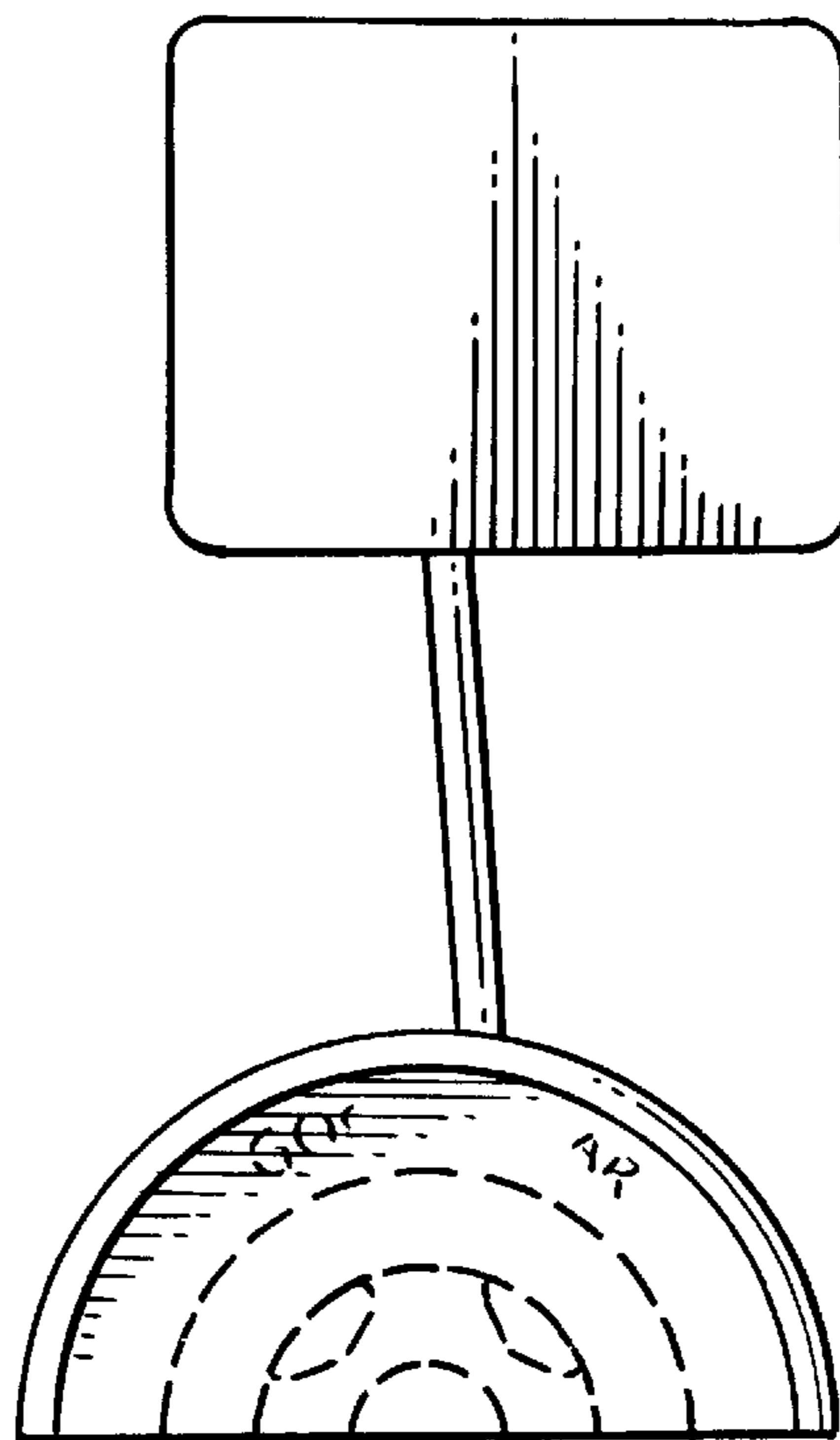


FIG. 12.

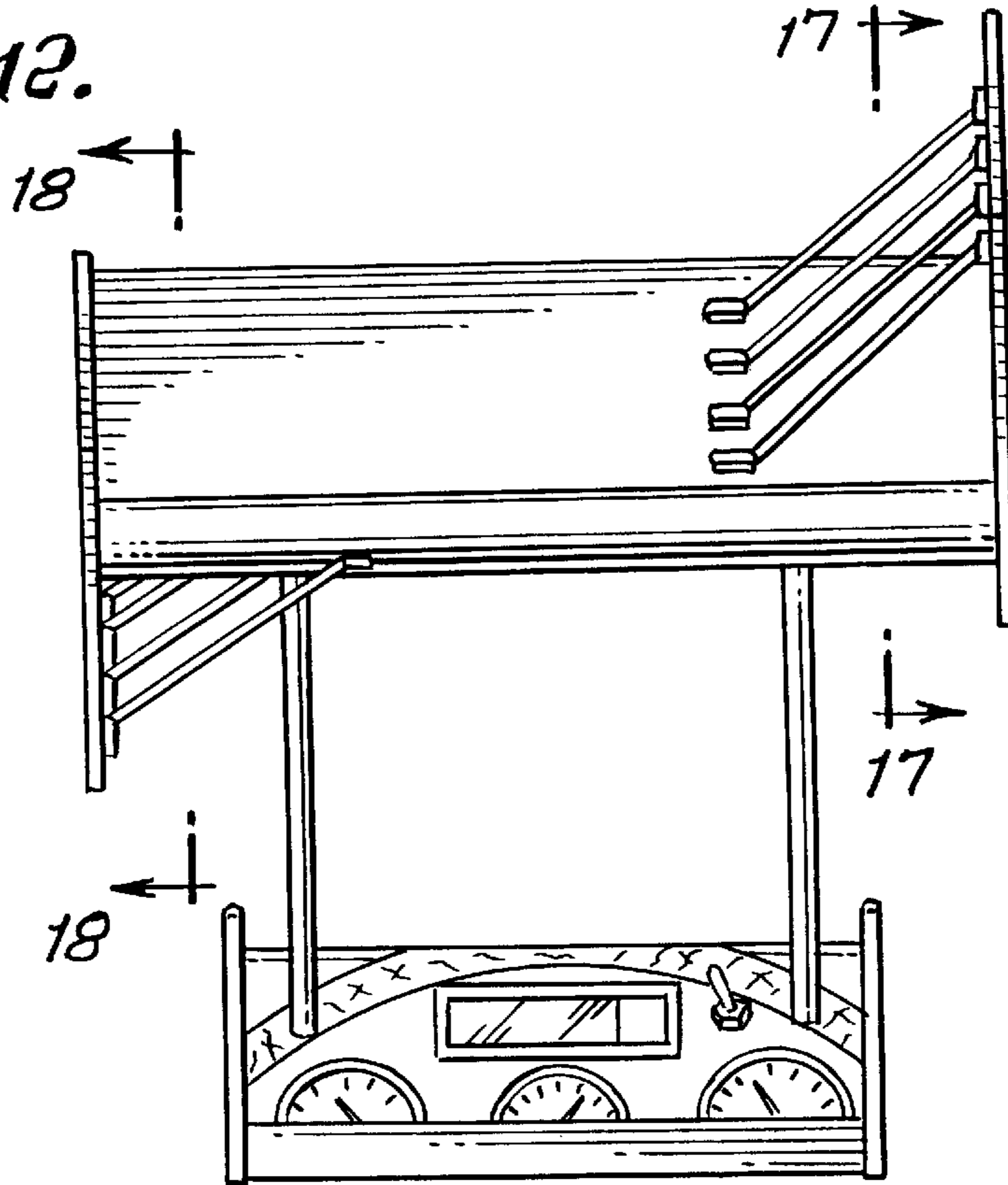


FIG. 13.

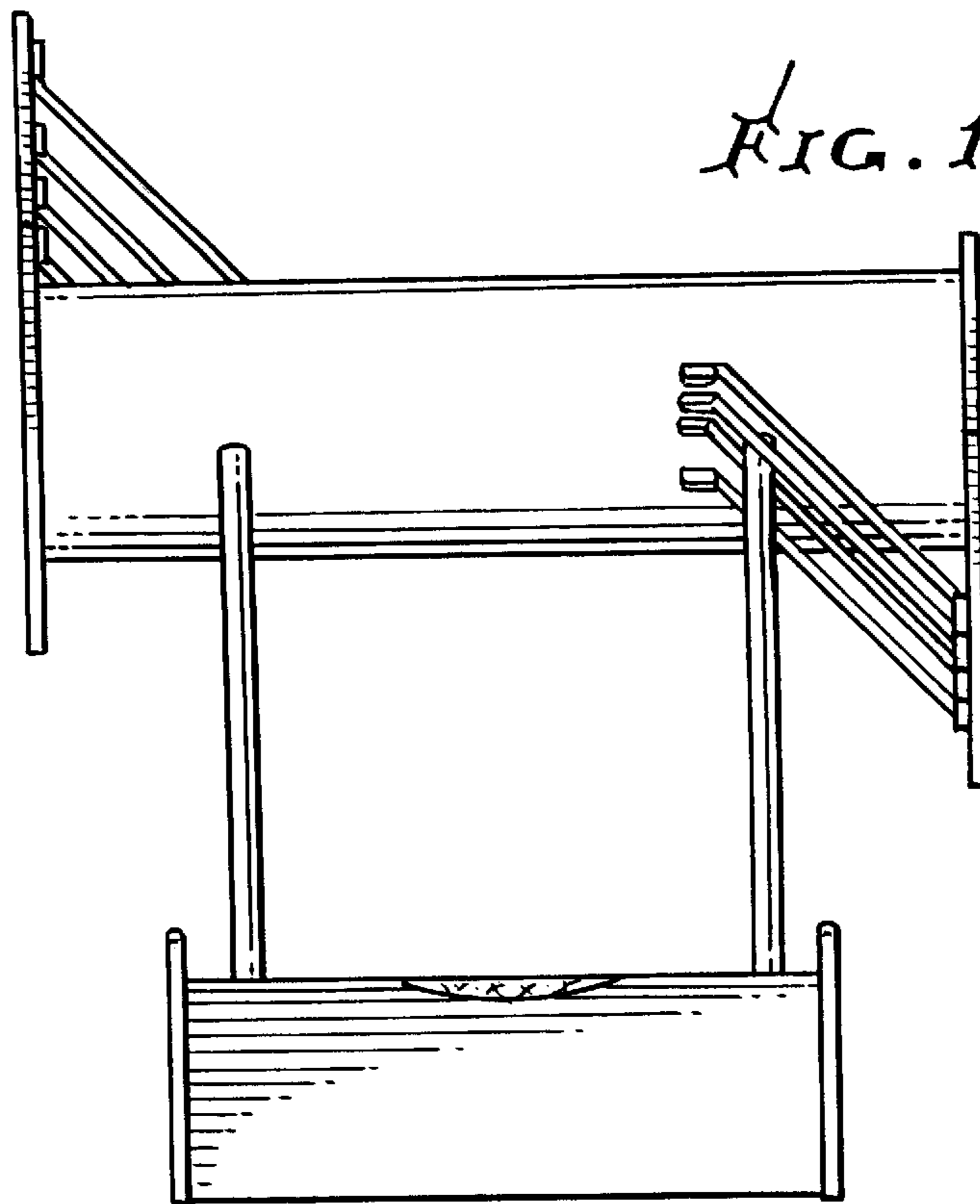


FIG. 14.

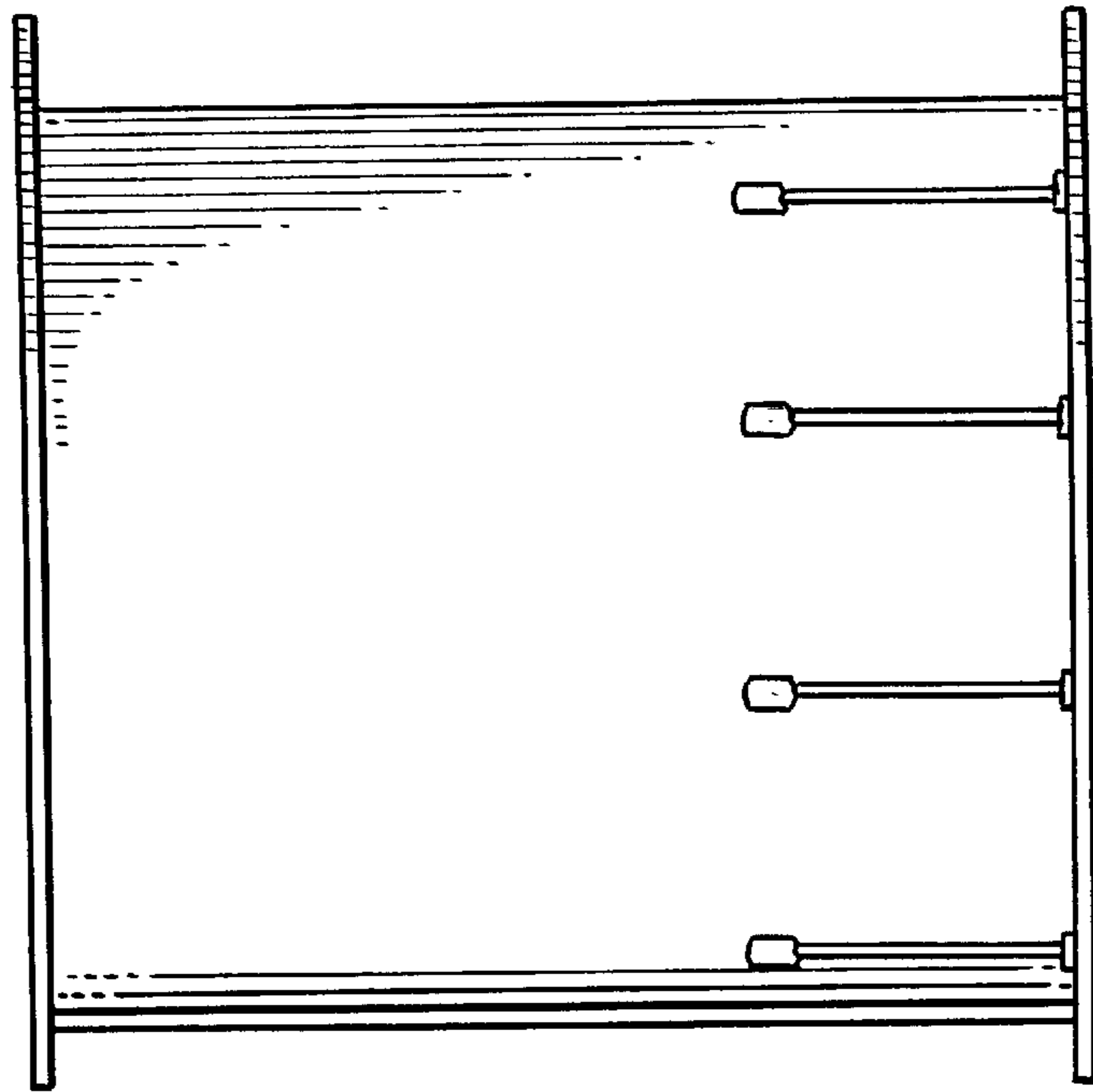


FIG. 15.

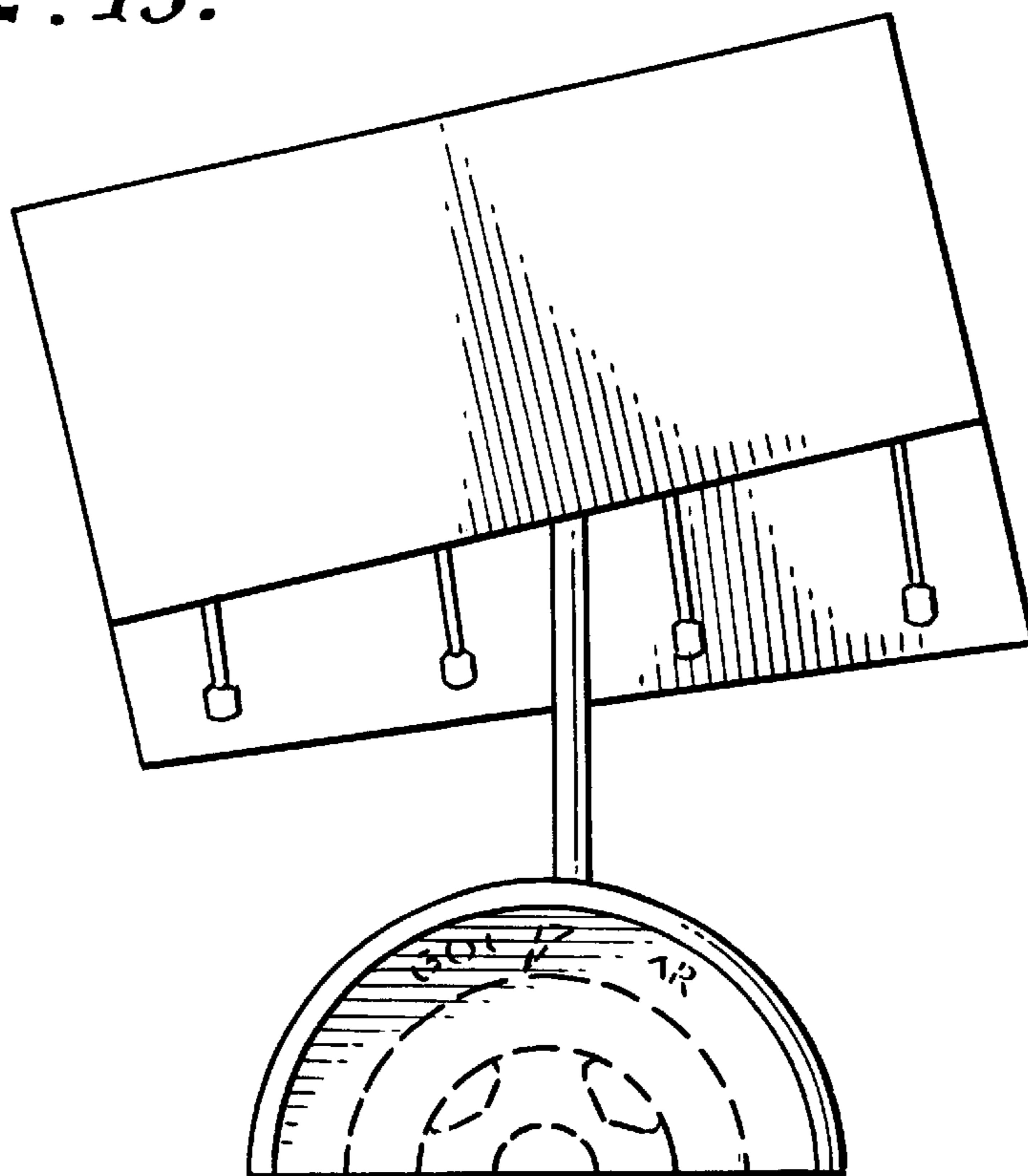




FIG. 16.

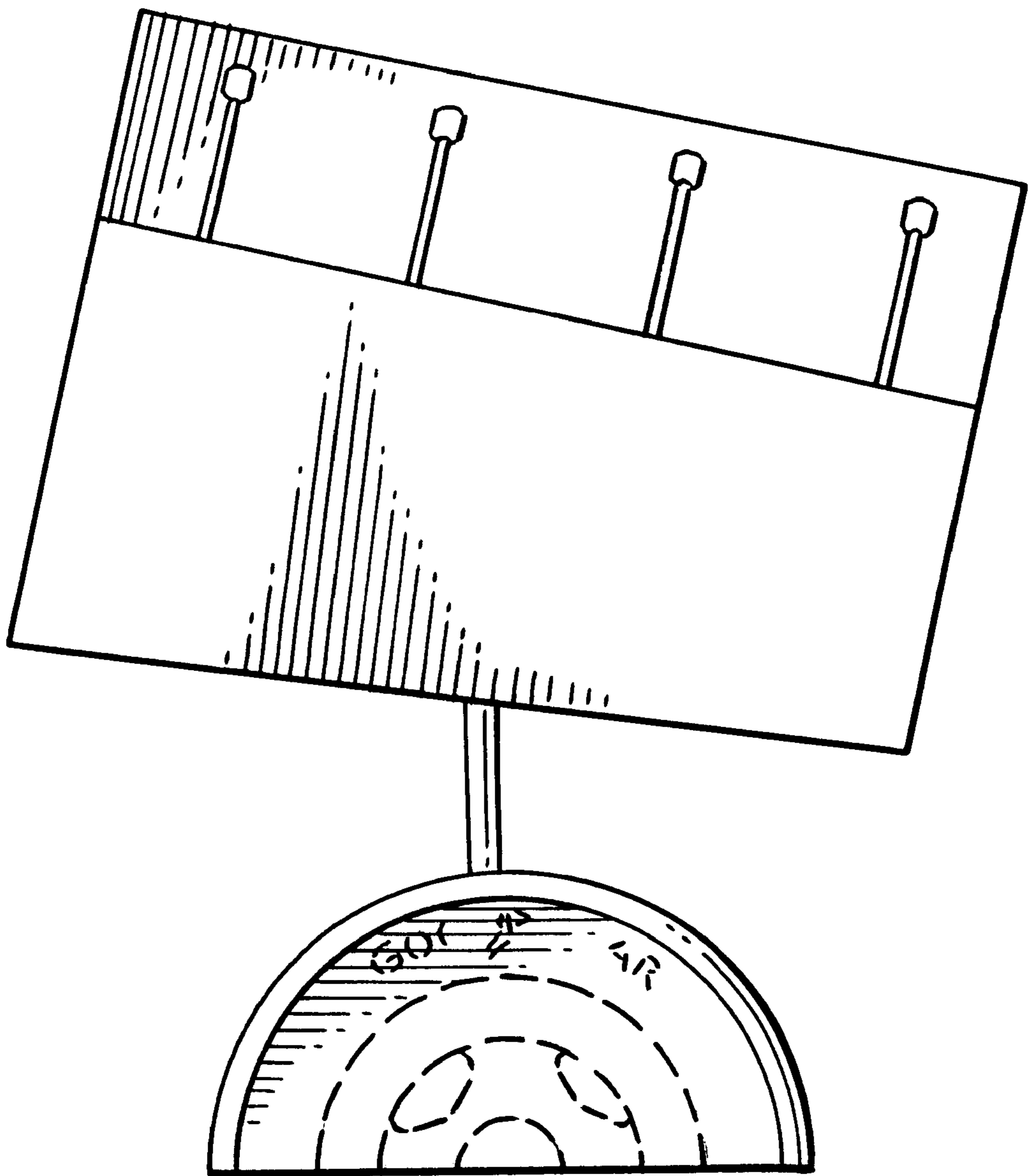


FIG. 17.

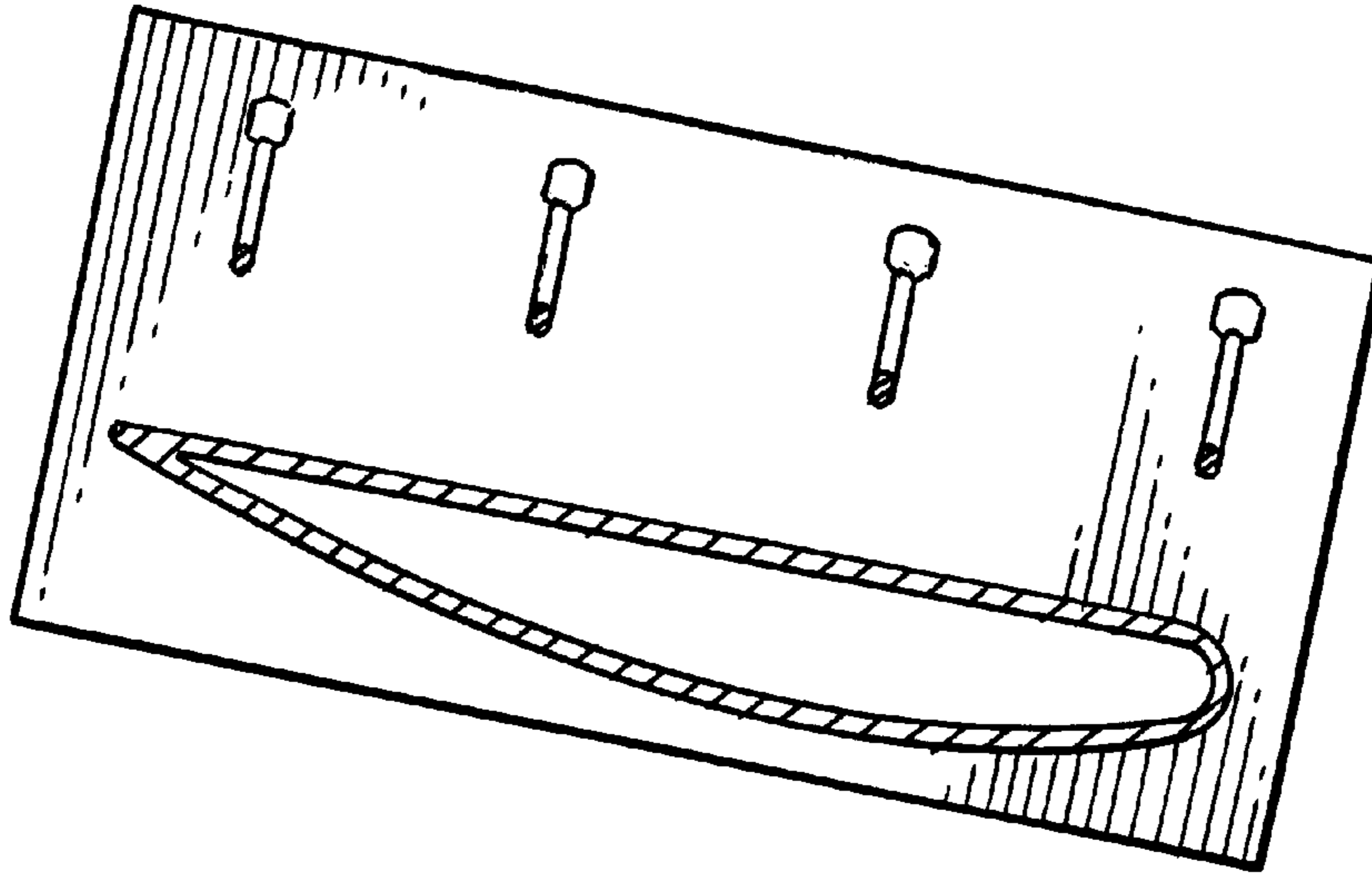


FIG. 18.

