



US00D460575S

(12) **United States Design Patent**
Tergny et al.

(10) **Patent No.:** **US D460,575 S**

(45) **Date of Patent:** **** Jul. 16, 2002**

(54) **LIGHTING FIXTURE**

(75) Inventors: **Alain Tergny**, Paris (FR); **Trisha Morin**, Cornwall (CA)

(73) Assignee: **Canlyte Inc.**, Lachine (CA)

(**) Term: **14 Years**

(21) Appl. No.: **29/140,167**

(22) Filed: **Apr. 12, 2001**

(30) **Foreign Application Priority Data**

Jan. 19, 2001 (CA) 2001-0134

(51) **LOC (7) Cl.** **26-03**

(52) **U.S. Cl.** **D26/89; D26/85**

(58) **Field of Search** D26/72-79, 80-83,
D26/85-91; 362/147, 432, 182, 404-408,
363, 367, 368, 351

(56) **References Cited**

U.S. PATENT DOCUMENTS

- D286,206 S * 10/1986 Joosten et al. D26/85
- D429,362 S * 8/2000 Landefeld D26/87
- D445,943 S * 7/2001 Littman D26/87

OTHER PUBLICATIONS

Home Lighting & Accessories Apr. 1997/"Alike" bottom center of p. 105.*

Illuminatecnica Mar./Apr. 1997 p. 164, fixtures in top left photo.*

Manning Lighting (c)1993/models DS-114C-PL and DS-115B-IN-Y.*

* cited by examiner

Primary Examiner—Alan P. Douglas

Assistant Examiner—Clare E. Heflin

(74) *Attorney, Agent, or Firm*—Jeffrey A. Haeblerlin; Middleton Reutlinger

(57) **CLAIM**

The ornamental design for a lighting fixture, as shown and described herein.

DESCRIPTION

FIG. 1 is a perspective view of the lighting fixture showing our new design;

FIG. 2 is an enlarged front elevation thereof; and,

FIG. 3 is a top plan view thereof, the top wall being shown removed for clarity of illustration.

1 Claim, 3 Drawing Sheets

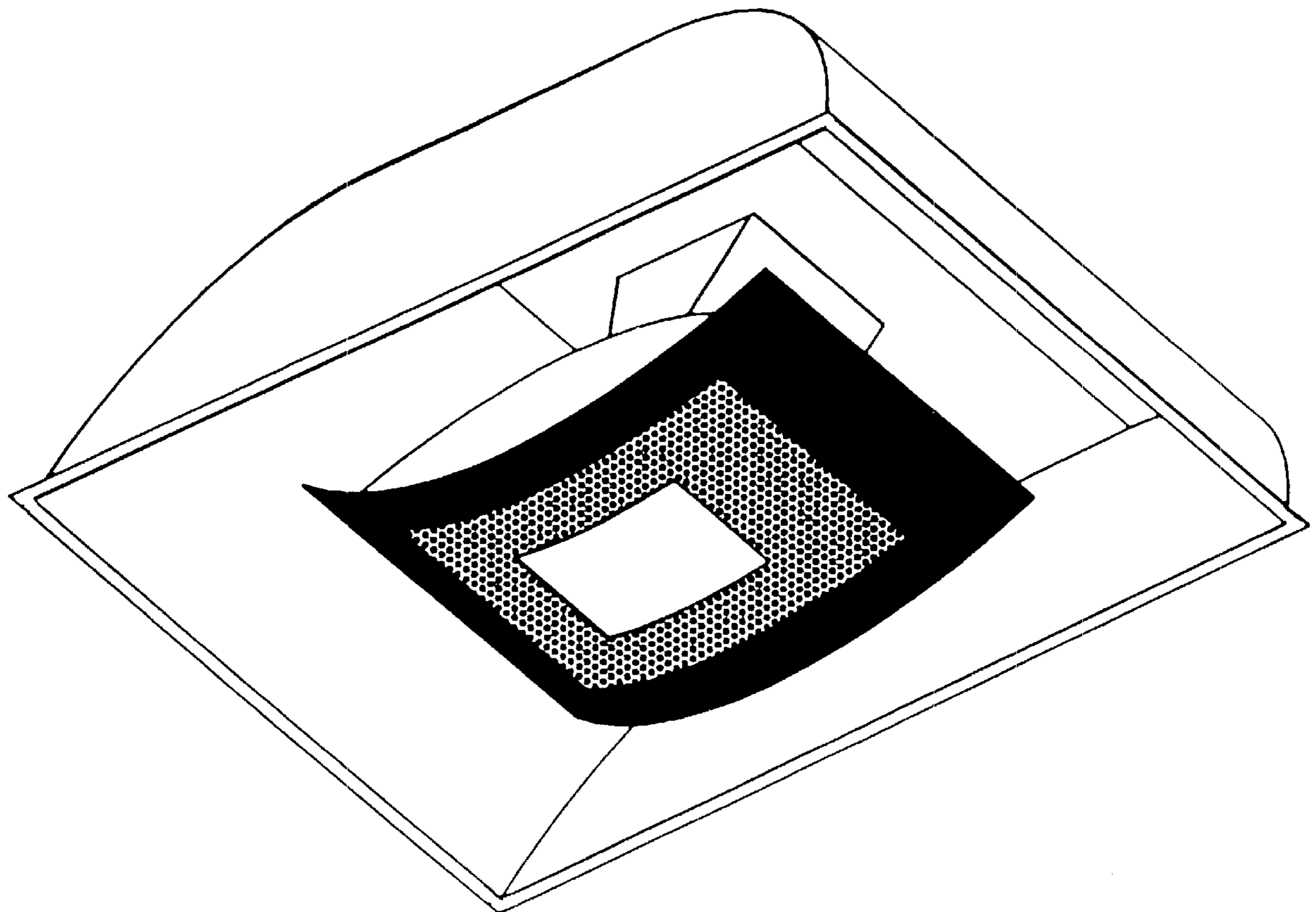
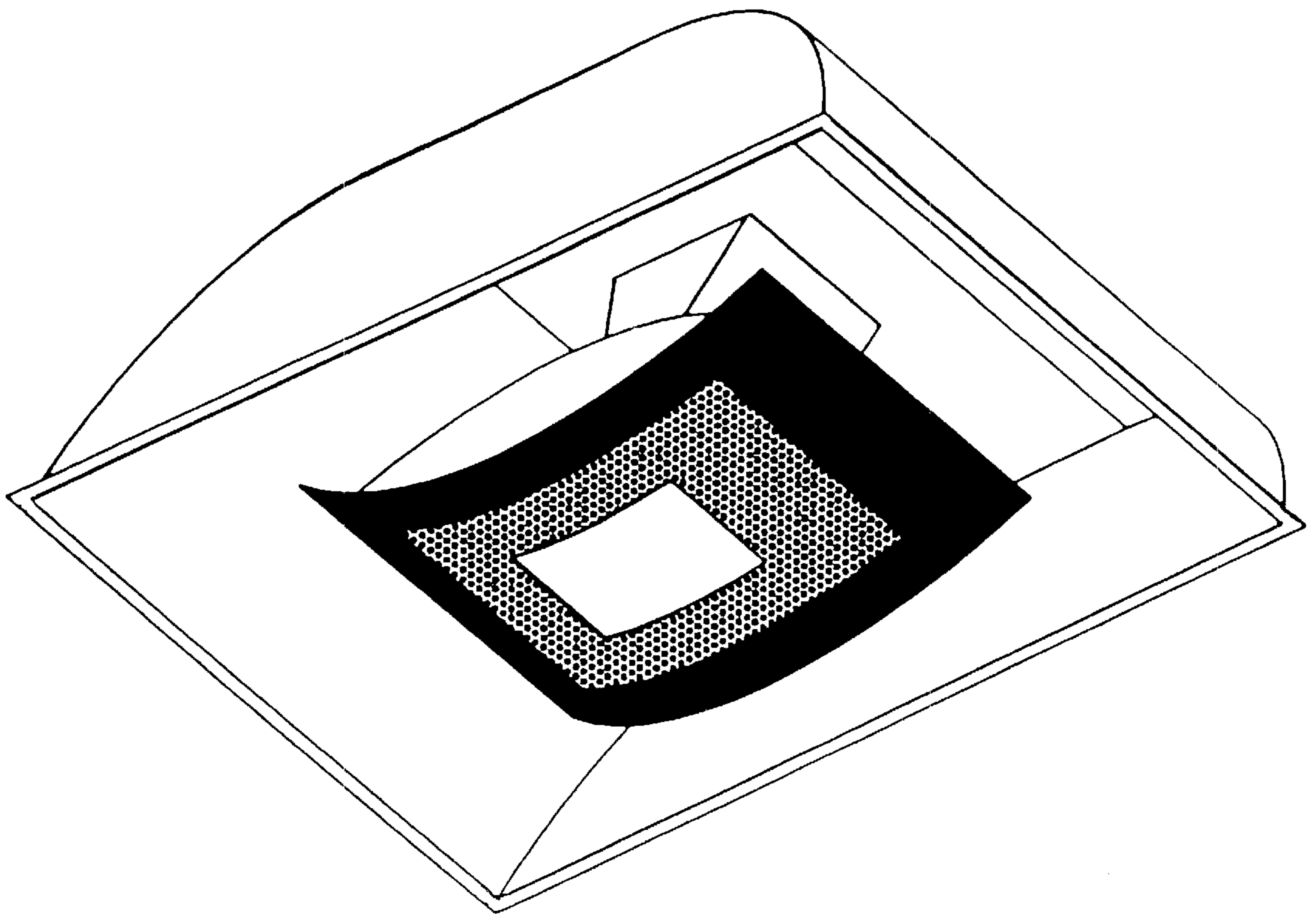


FIGURE 1



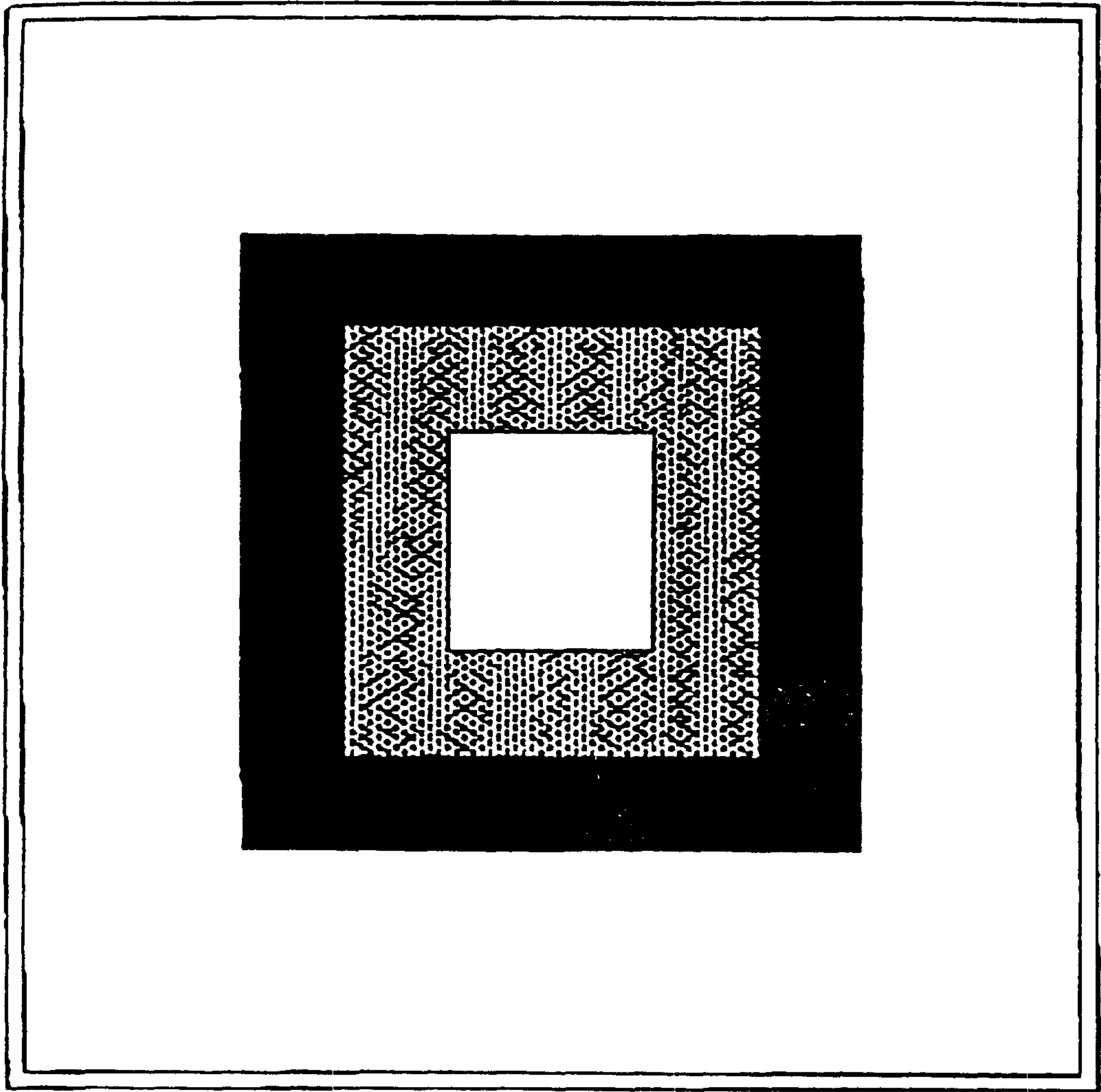


FIGURE 2

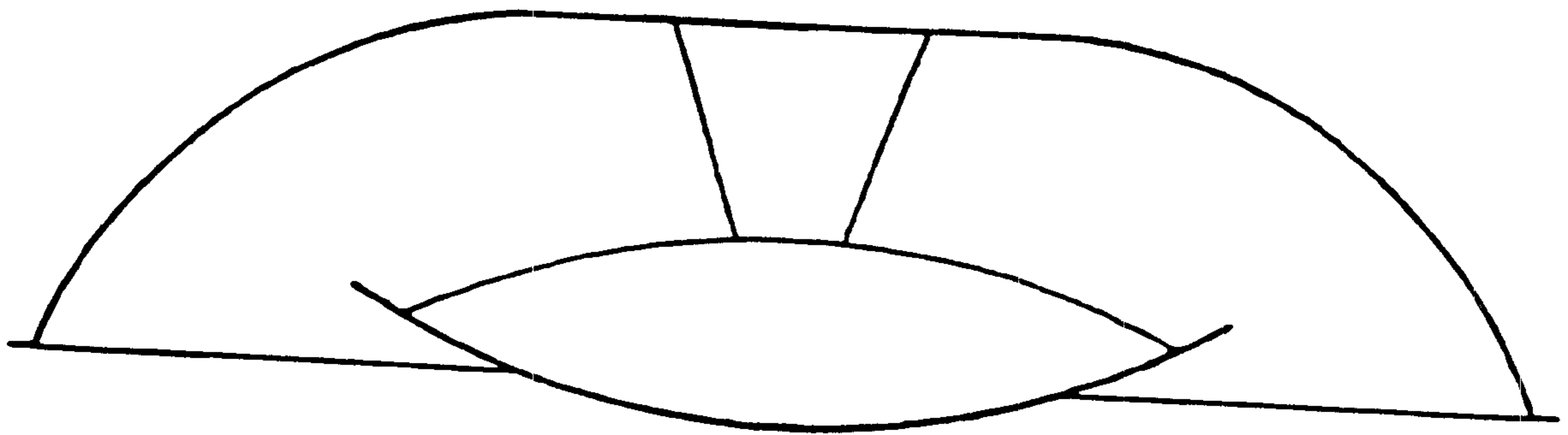


FIGURE 3