



US00D460574S

(12) **United States Design Patent**
Horowitz

(10) **Patent No.:** **US D460,574 S**

(45) **Date of Patent:** **** Jul. 16, 2002**

(54) **TAIL LENS ASSEMBLY**

(76) Inventor: **Brian A. Horowitz**, 252 Granite St.,
Corona, CA (US) 92879

(**) Term: **14 Years**

(21) Appl. No.: **29/155,331**

(22) Filed: **Feb. 8, 2002**

Related U.S. Application Data

(63) Continuation-in-part of application No. 29/147,010, filed on
Aug. 21, 2001.

(51) **LOC (7) Cl.** **26-04**

(52) **U.S. Cl.** **D26/28**

(58) **Field of Search** D26/28-36; 362/81,
362/82, 83, 83.4, 267, 269, 275

(56) **References Cited**

U.S. PATENT DOCUMENTS

D382,659 S	8/1997	Kaloustian	
D388,200 S	12/1997	Tomforde et al.	
D388,897 S	1/1998	Tomforde et al.	
D389,256 S	1/1998	Sacco et al.	
D396,310 S	7/1998	Sacco et al.	
D399,983 S	10/1998	Cadotte et al.	
D403,443 S	12/1998	Sacco et al.	
D406,910 S	3/1999	Bangle	
D409,772 S	5/1999	Bangle	
D412,214 S	7/1999	Hejtmanek	
D412,587 S	8/1999	Bangle	
D413,400 S	8/1999	Bangle	
D416,638 S	* 11/1999	Horbury et al. D26/28

(List continued on next page.)

OTHER PUBLICATIONS

Advertisement—Stillen Sports Cars from Sport Compact Car,
vol. 13, No. 03, Mar. 2001, pp. 58-59.

Three photographs of rear view of Chevy S-10 truck, prior
to Jul. 25, 2001.

(List continued on next page.)

Primary Examiner—Marcus A. Jackson

(74) *Attorney, Agent, or Firm*—Knobbe, Martens, Olson &
Bear, LLP

(57) **CLAIM**

The ornamental design for a tail lens assembly, as shown and
described.

DESCRIPTION

FIG. 1 is a front-right perspective view of a preferred
embodiment of the tail lens assembly according to the
present invention, with the broken line showing for illustra-
tive purposes only and forming no part of the claimed
design;

FIG. 2 is a front-right perspective view of another preferred
embodiment of the tail lens assembly according to the
present invention;

FIG. 3 is a partially exploded front-right perspective view of
the tail lens assembly of FIG. 1, illustrating the cover of the
tail lens assembly removed;

FIG. 4 is a partially exploded front-right perspective view of
the tail lens assembly of FIG. 2, illustrating the cover of the
tail lens assembly removed;

FIG. 5 is a front elevational view of the tail lens assembly
of FIG. 1;

FIG. 6 is a front elevational view of the tail lens assembly
of FIG. 2;

FIG. 7 is a right-side elevational view of the tail lens
assembly of FIG. 1;

FIG. 8 is a right-side elevational view of the tail lens
assembly of FIG. 2;

FIG. 9 is a top plan view of the tail lens assembly of FIG.
1;

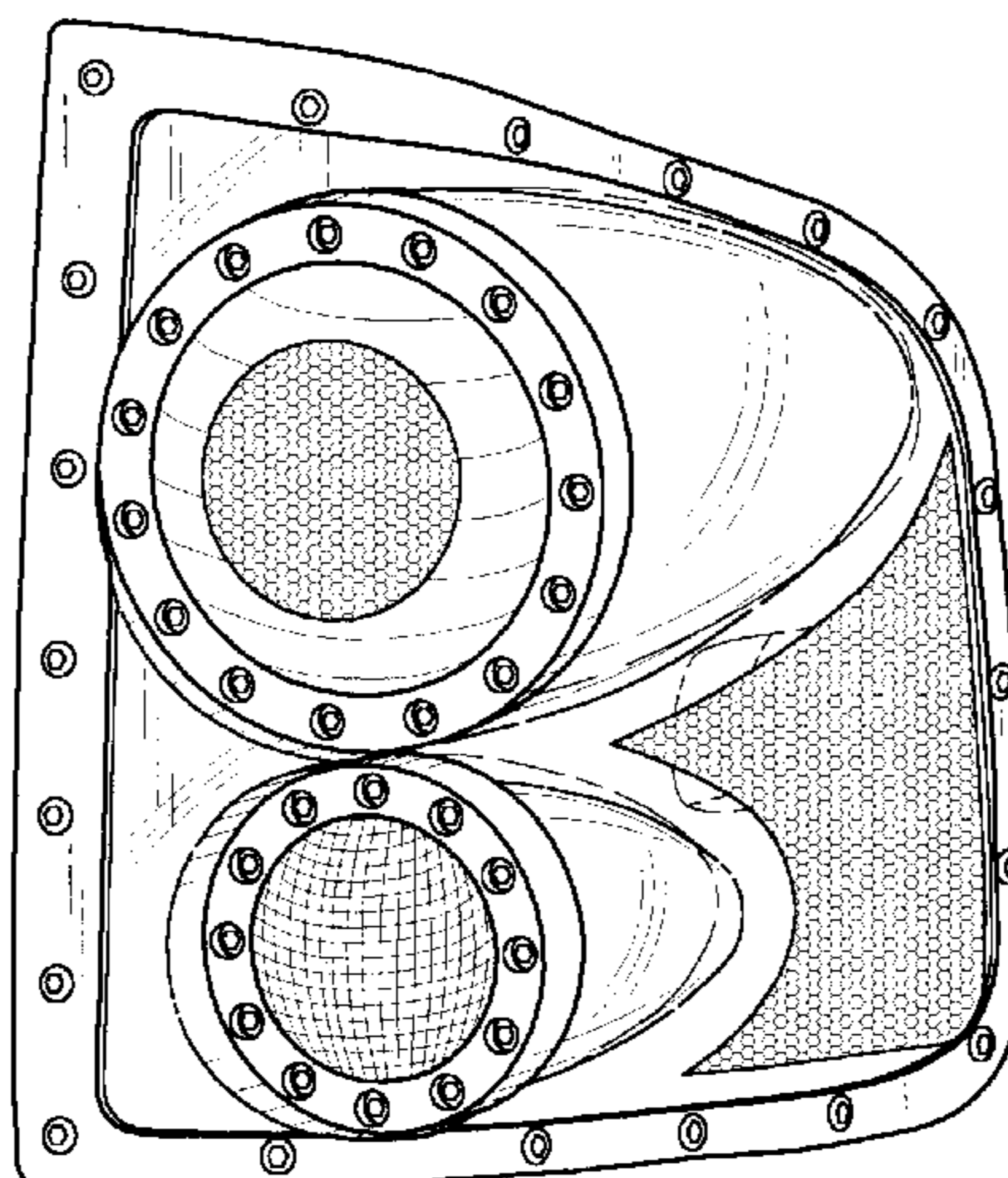
FIG. 10 is a top plan view of the tail lens assembly of FIG.
2;

FIG. 11 is a front-right perspective view of the tail lens
assembly of FIG. 1 showing the lens assembly installed on
a vehicle; and,

FIG. 12 is a front-right perspective view of the tail lens
assembly of FIG. 2 showing the lens assembly installed on
a vehicle.

Phantom lining, where utilized, is for illustrative purposes
only and is not intended to limit the claimed design to the
features shown in phantom.

1 Claim, 8 Drawing Sheets



U.S. PATENT DOCUMENTS

D427,342 S	6/2000	Hunter et al.	
D427,363 S	6/2000	Sacco et al.	
D429,353 S	8/2000	Pfeiffer	
D439,995 S	4/2001	Nakazawa et al.	
D440,331 S	4/2001	Nakazawa et al.	
6,243,008 B1	6/2001	Korabiak	
D447,583 S *	9/2001	Oh et al.	D26/28
D448,098 S	9/2001	Horowitz	
D448,869 S	10/2001	Horowitz	
D449,123 S	10/2001	Horowitz	
D449,898 S	10/2001	Horowitz	
6,296,382 B1	10/2001	Hamelbeck	
D450,142 S *	11/2001	Horowitz	D26/28

OTHER PUBLICATIONS

Three photographs of rear view of Acura Integra automobile, prior to Jul. 25, 2001.
Three photographs of rear view of Dodge Neon automobile, prior to Jul. 25, 2001.
Three photographs of rear view of Honda Accord automobile, prior to Jul. 25, 2001.
Three photographs of rear view of Honda Civic automobile, prior to Jul. 25, 2001.

Three photographs of rear view of Chevrolet C/K truck, prior to Jul. 25, 2001.
American Products Company 2000 Catalog, p. 9, published Oct. 21, 1999.
American Products Company 2001 Catalog, pp. 10–13, published Oct. 10, 2000.
Promotional material from Sigma Polyurethane International, prior to Jul. 25, 2001.
Toucan Industries, Inc. 2001 Catalog, p. 25, prior to Oct. 30, 2000.
Hiper Industries 2002 Catalog, p. 4 (prior to Jan. 1, 2002).
in.pro.carwear Catalog, p. 16 (prior to Jan. 1, 2002).
Legaparts Brochure, p. 4 (prior to Jan. 1, 2002).
Macro Automotive Products Brochure (prior to Jan. 1, 2002).
Matrix GR Motorsports 2002 Catalog, p. 15 & 17 (prior to Jan. 1, 2002).
Toucan Industries 2001–2002 Catalog, p. 27 (prior to Jan. 1, 2002).
Z2000 Brochure, p. 4 (prior to Jan. 1, 2002).
CaliforniaStylin.com ad from Mini Trucking, Nov. 2001.

* cited by examiner

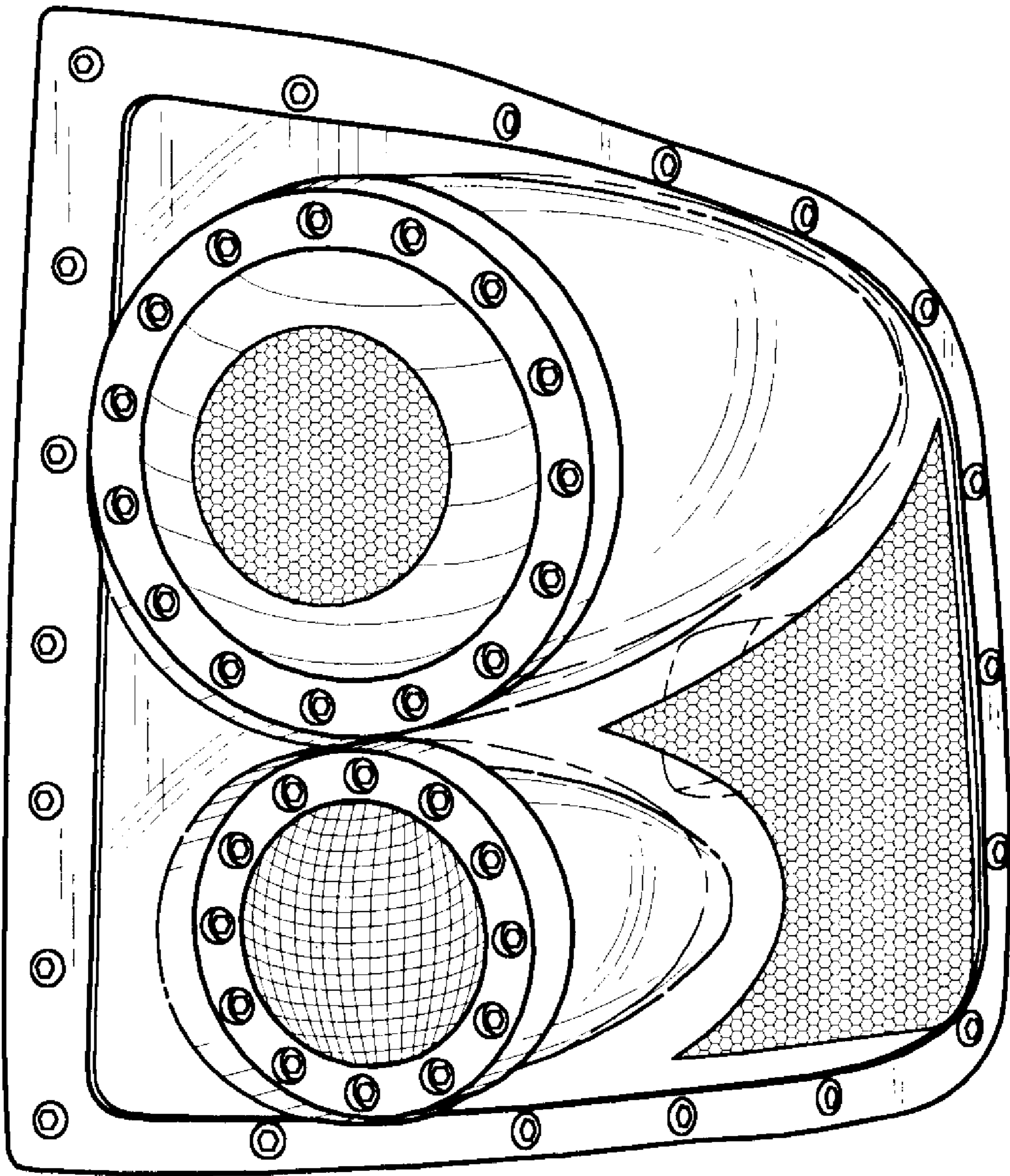


FIG. 1

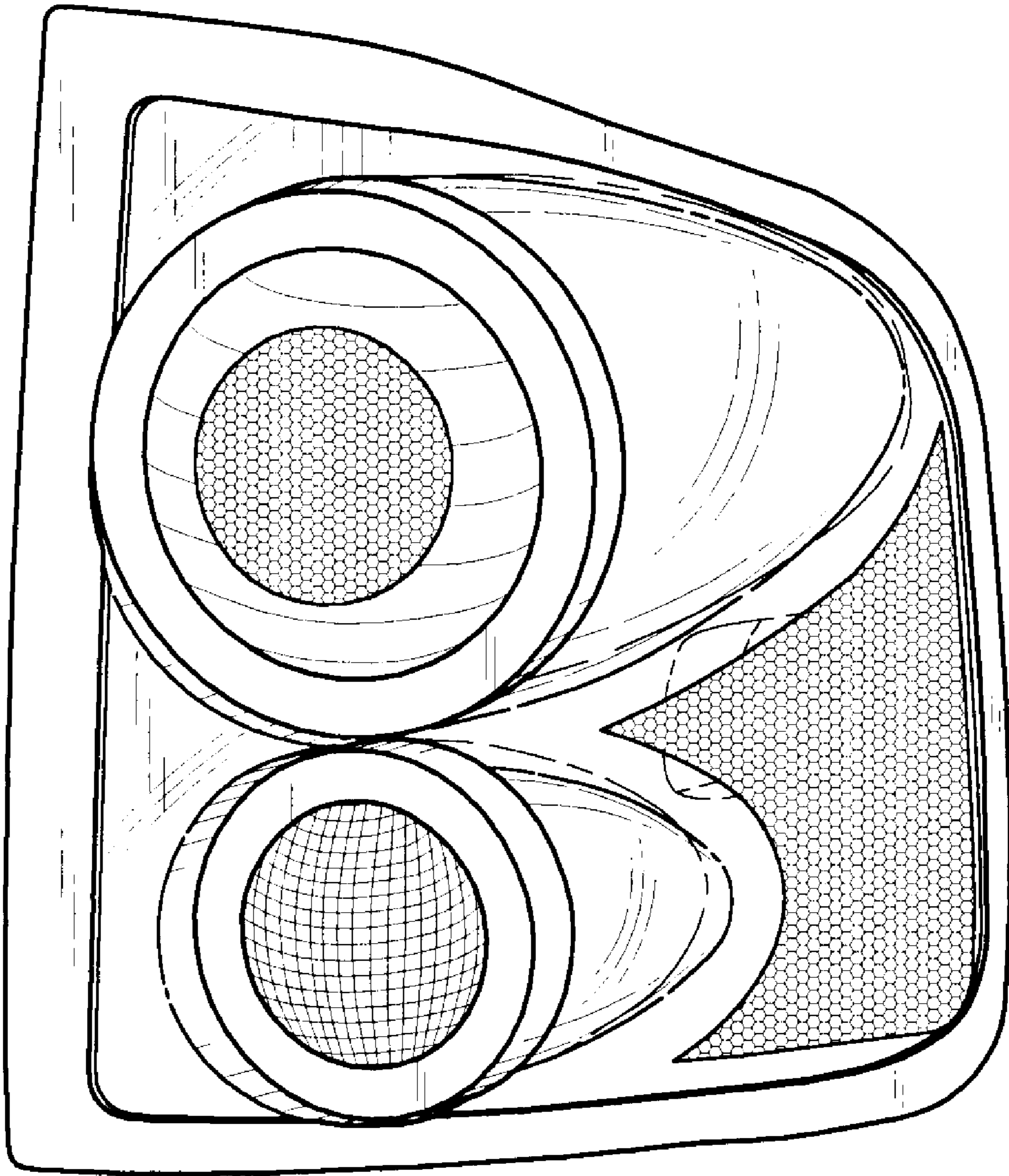


FIG. 2

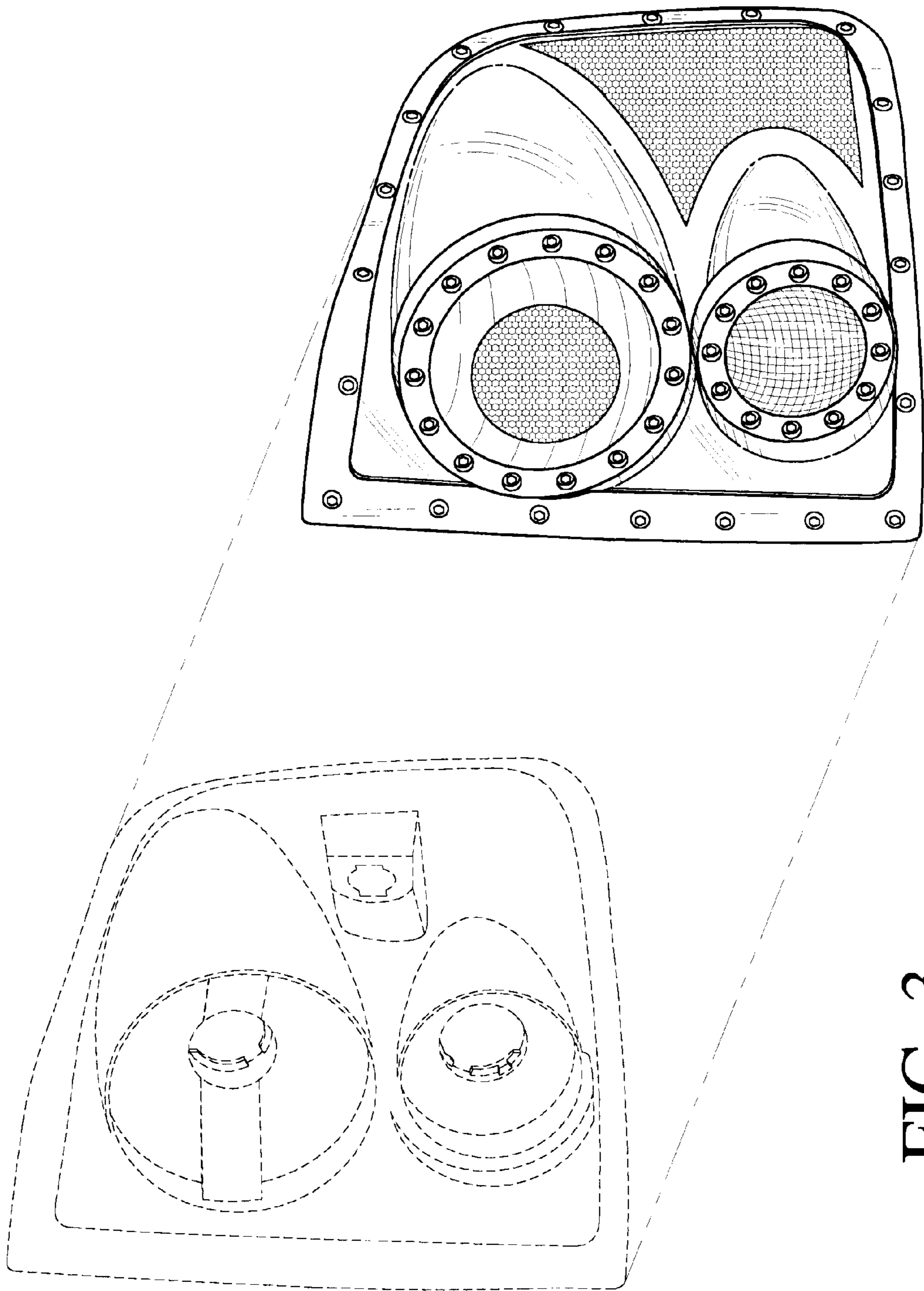


FIG. 3

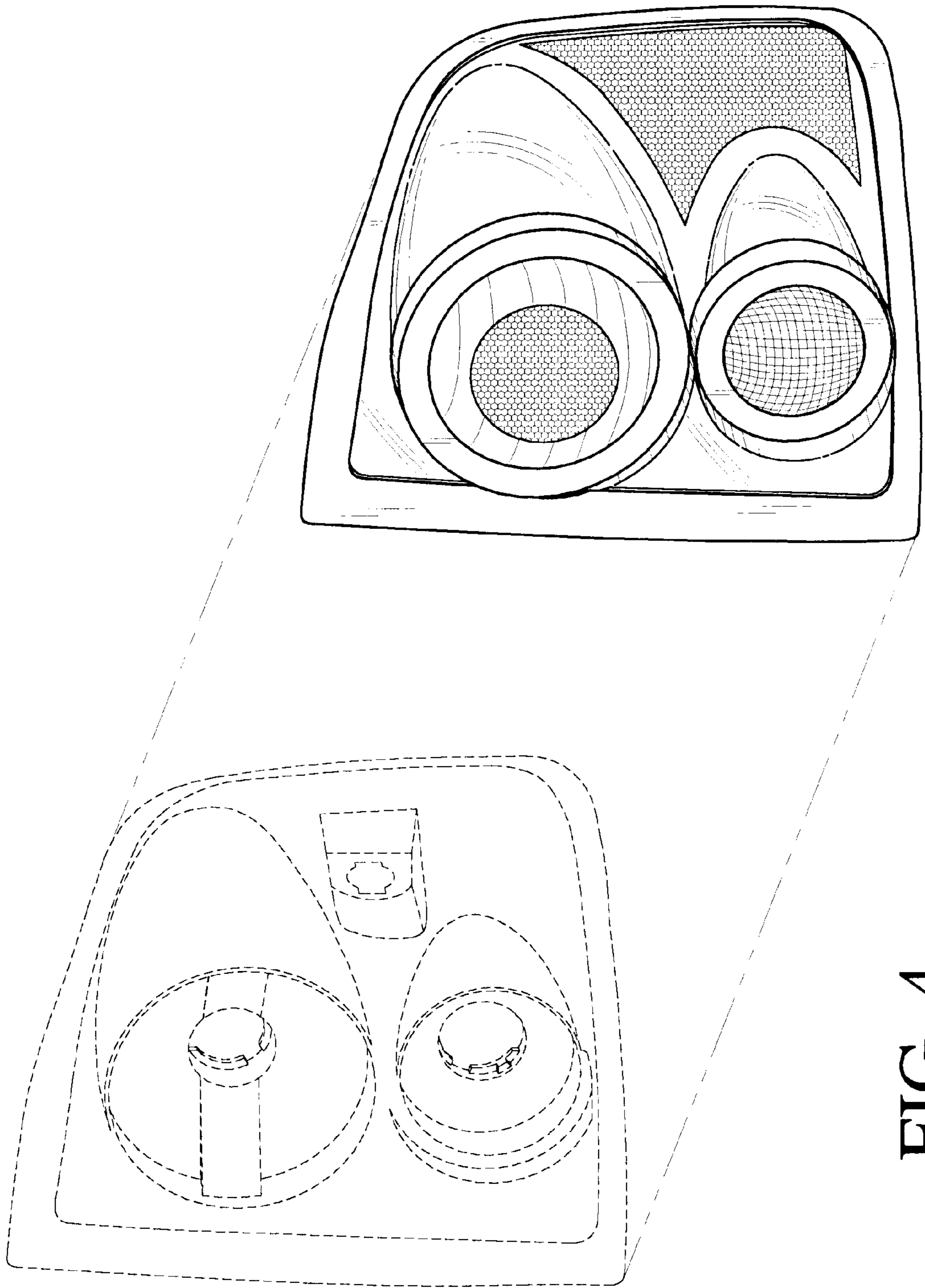


FIG. 4

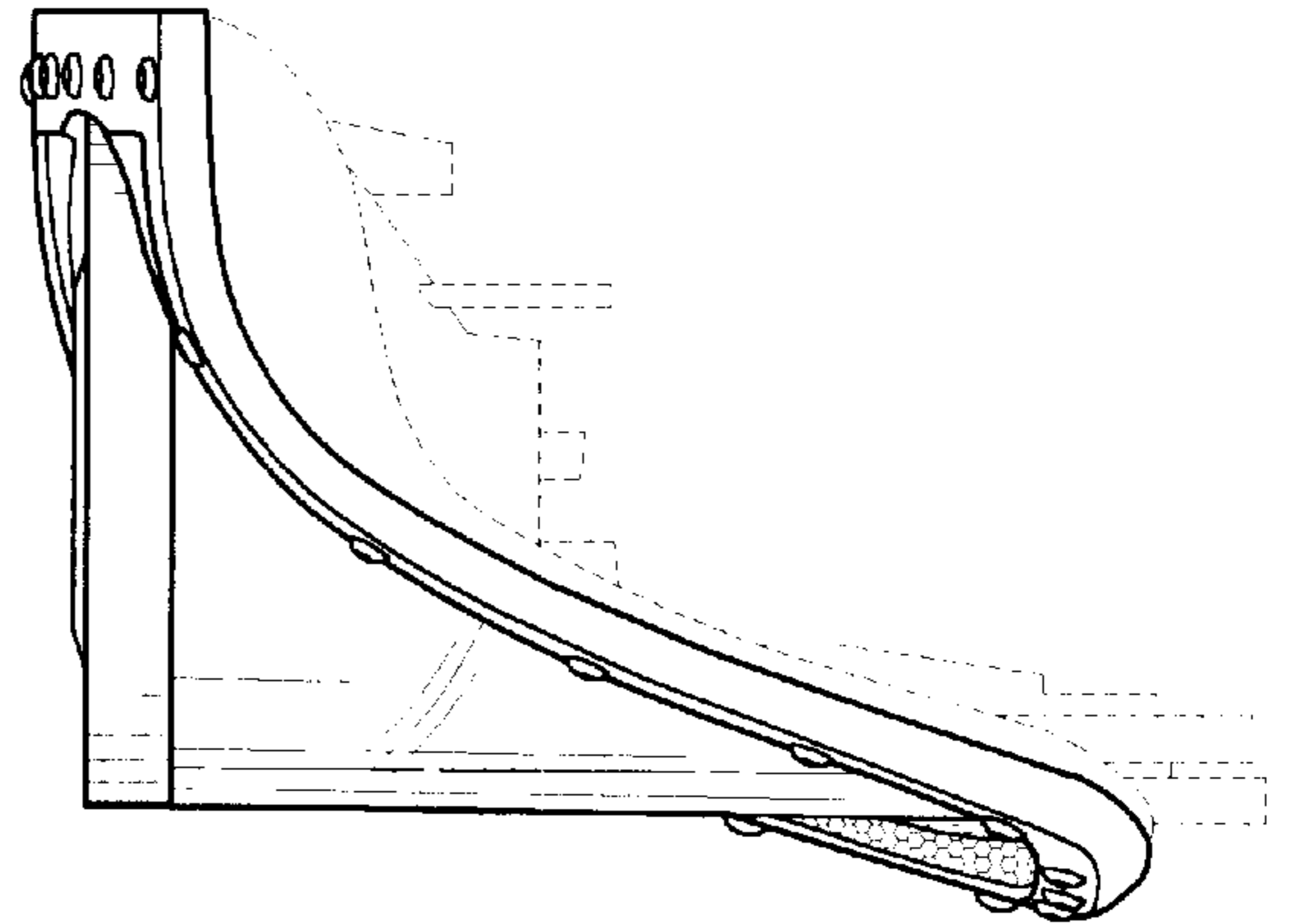


FIG. 9

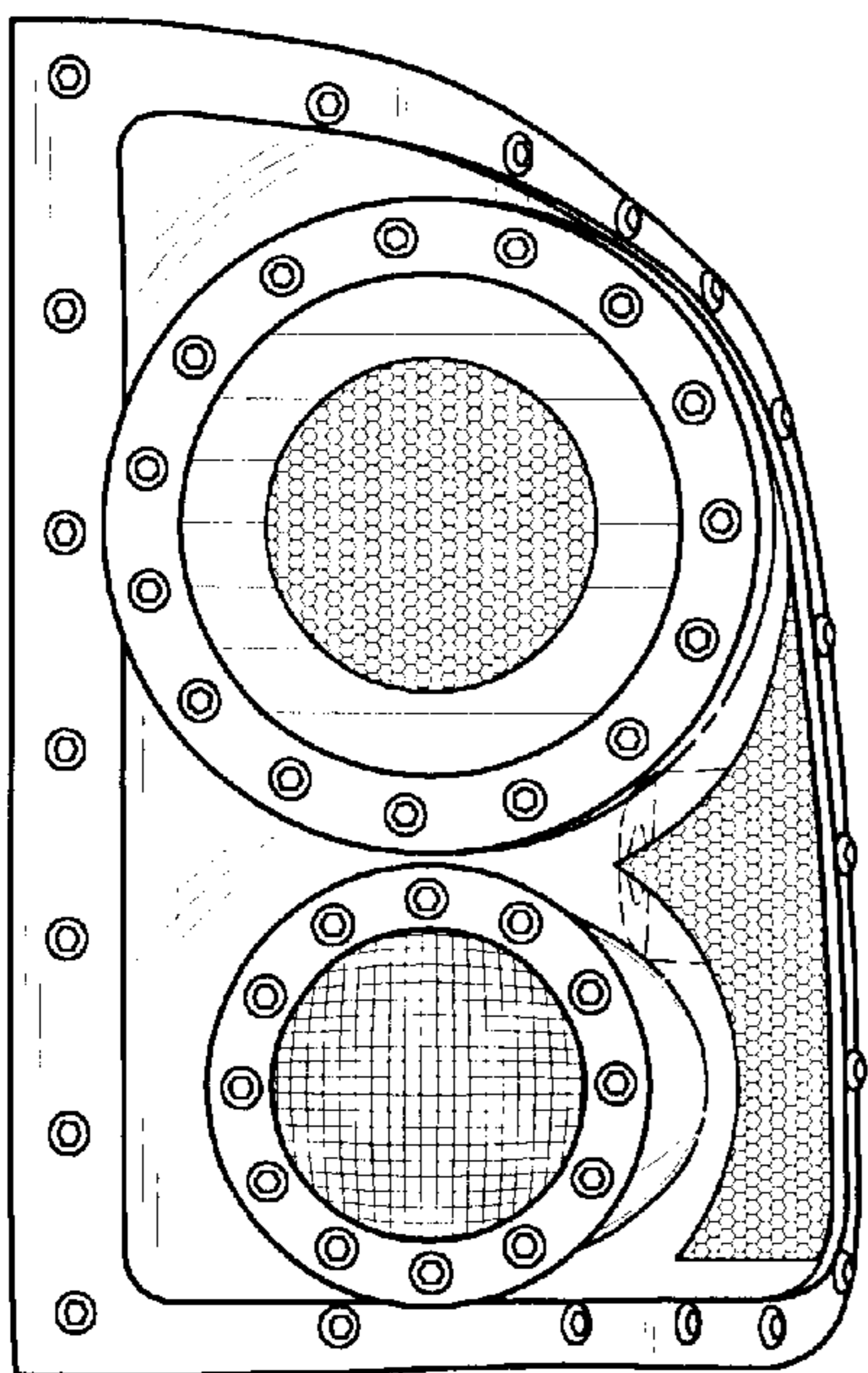


FIG. 5

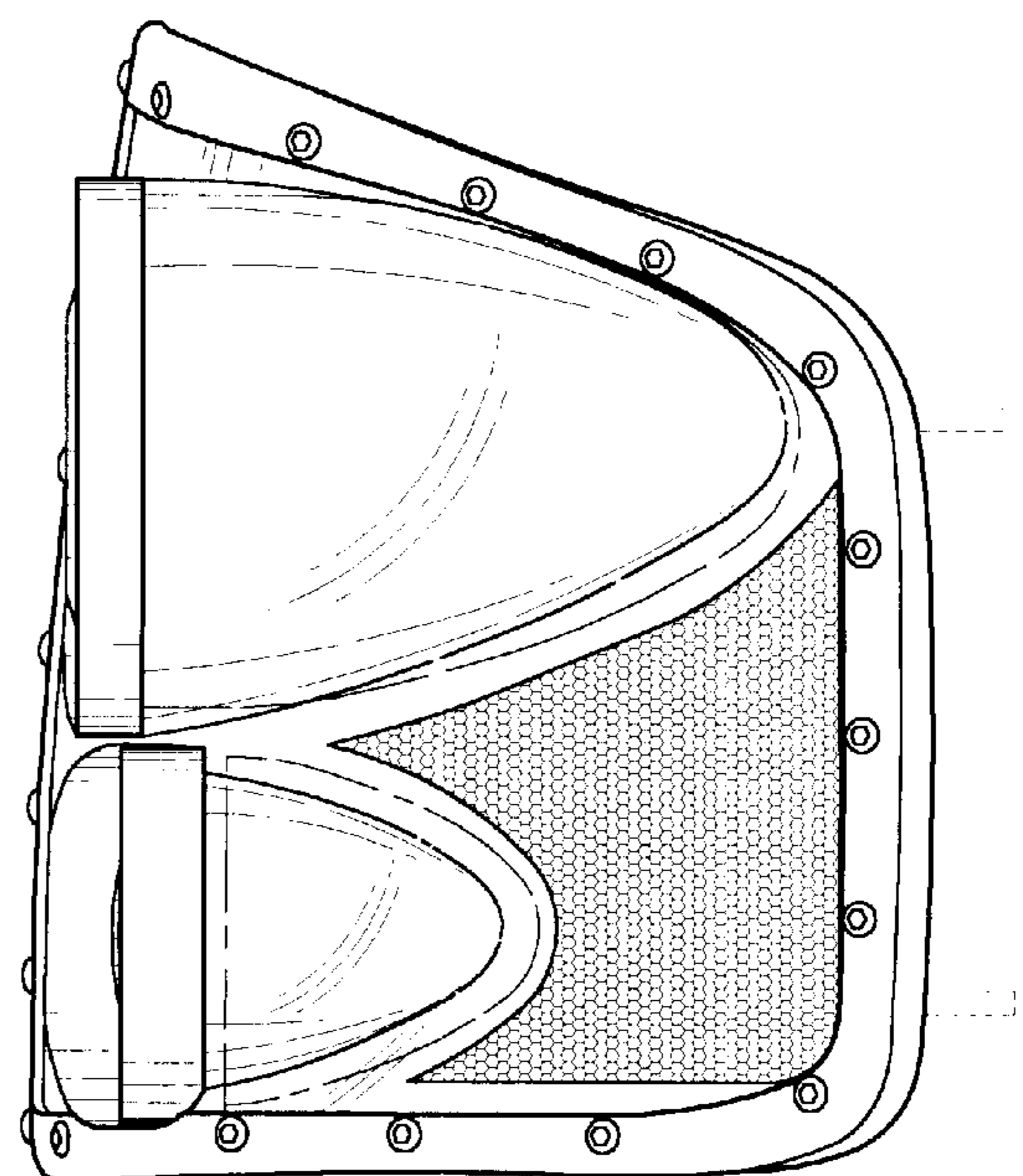


FIG. 7

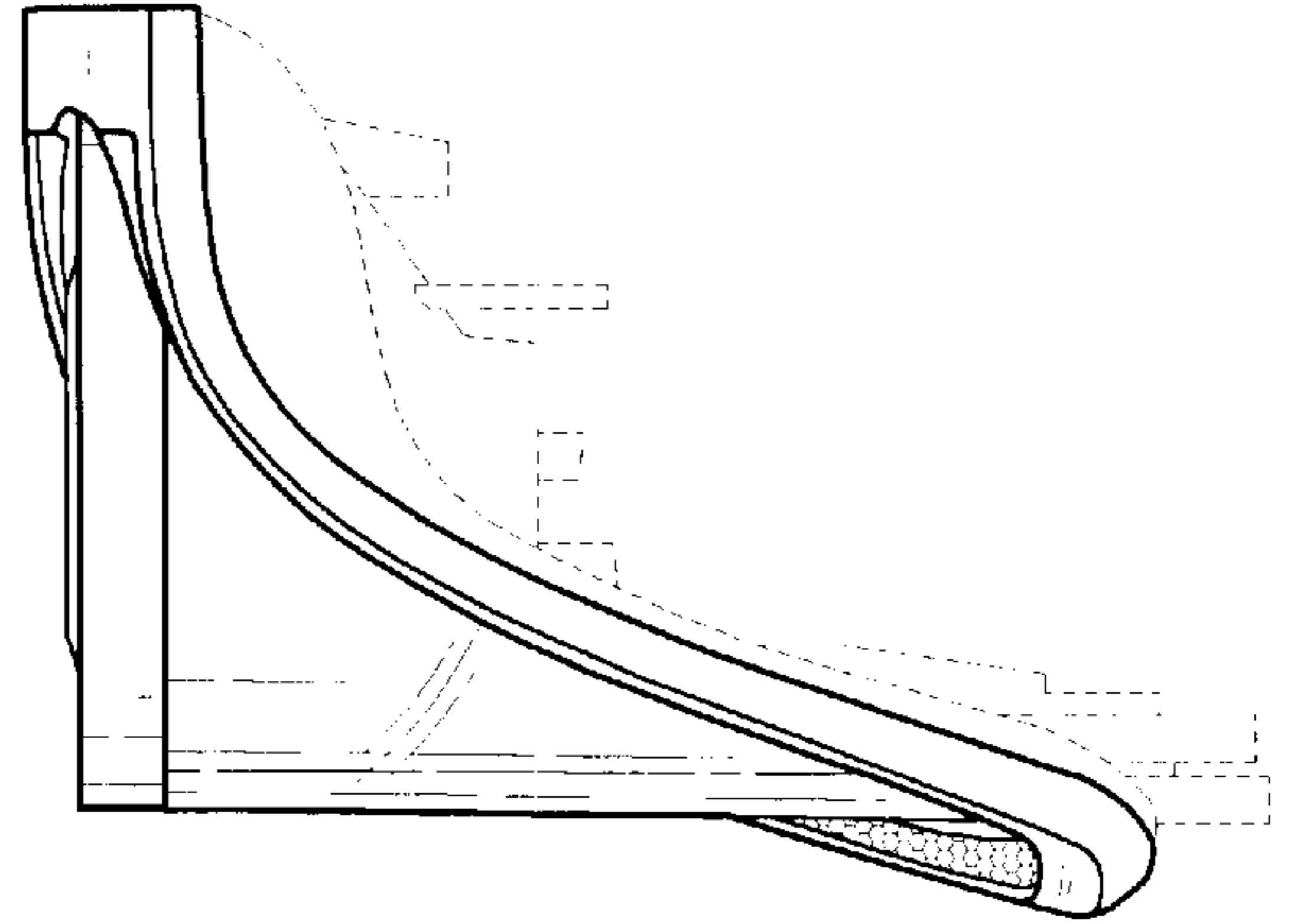


FIG. 10

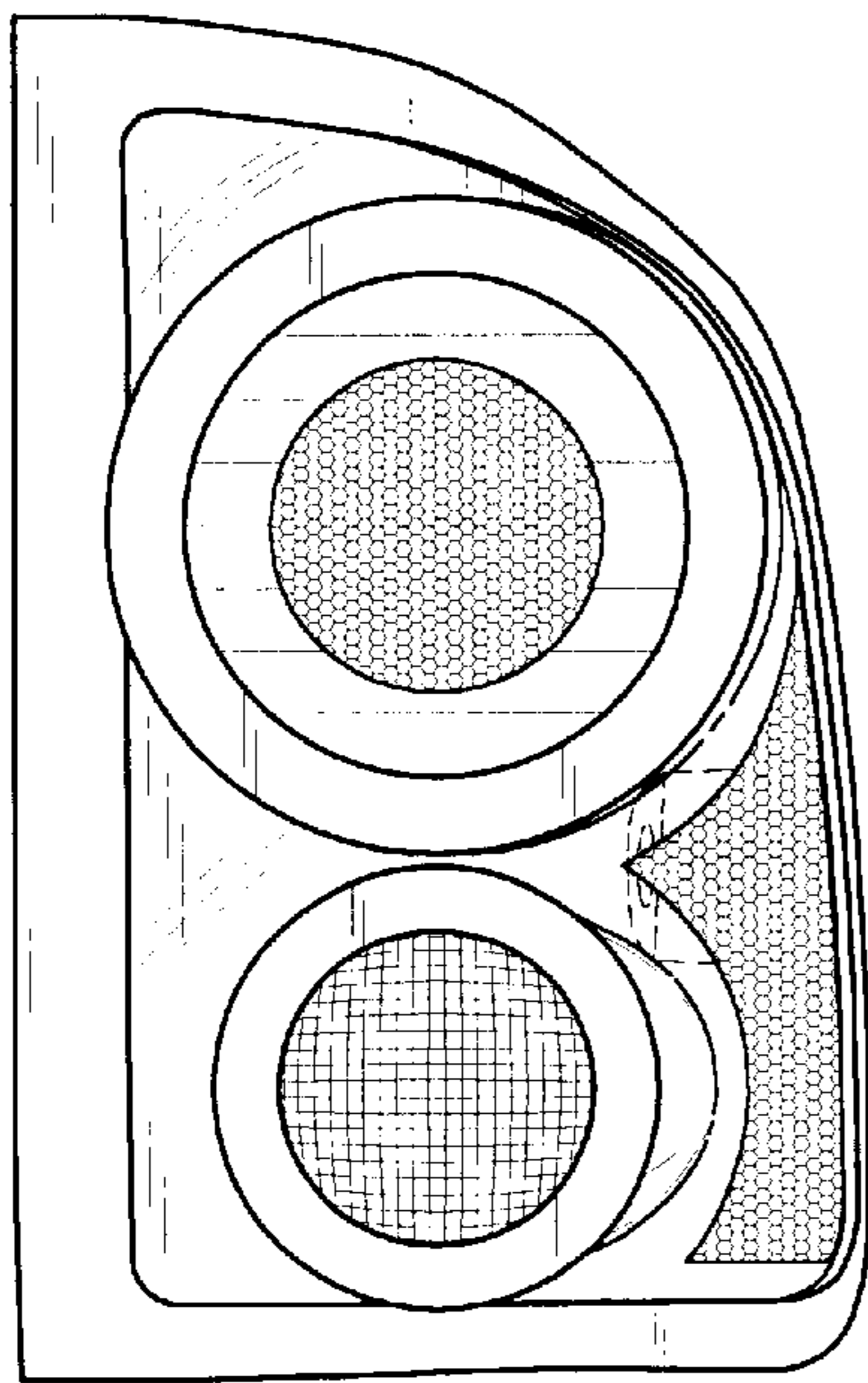


FIG. 6

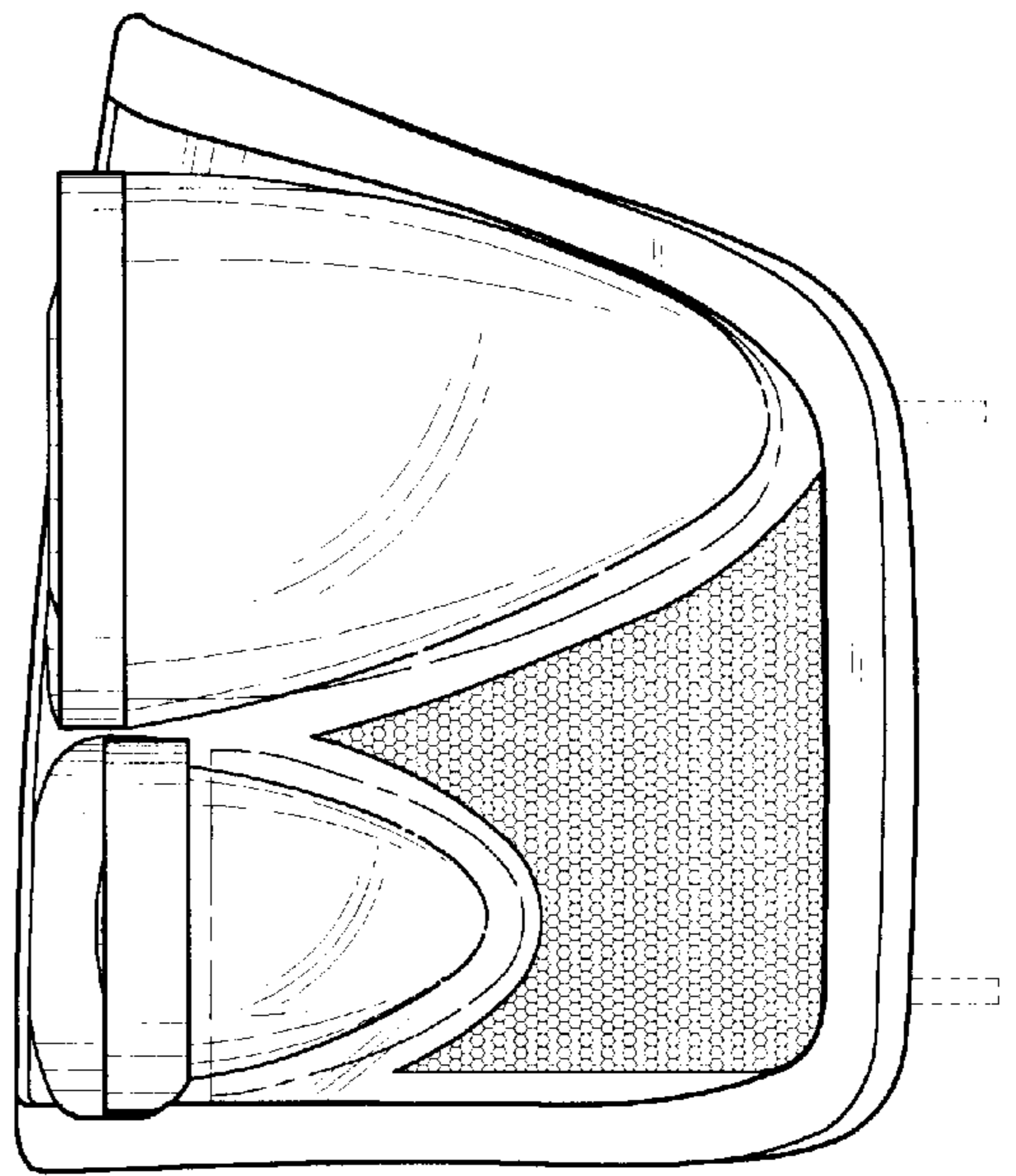


FIG. 8

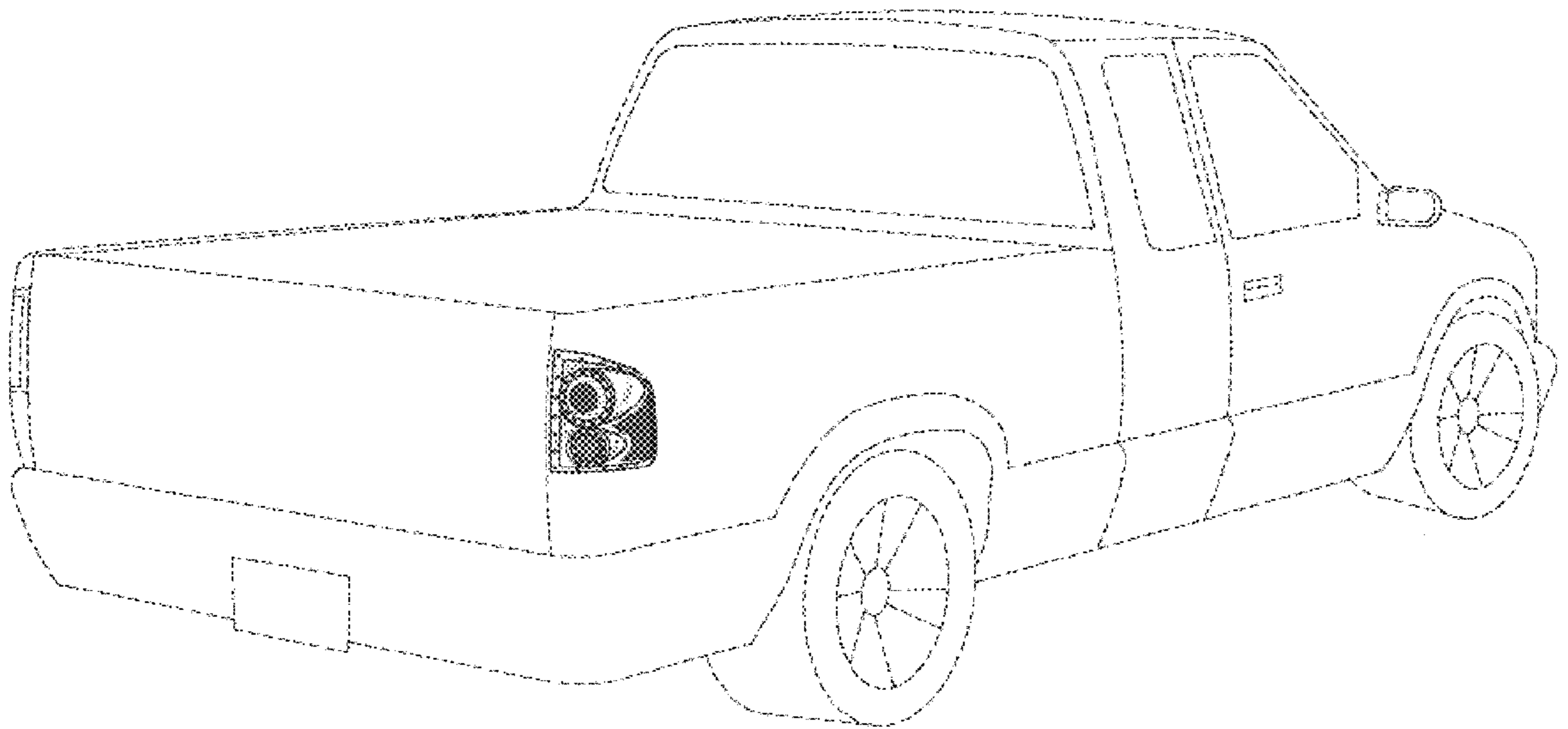


FIG. 11

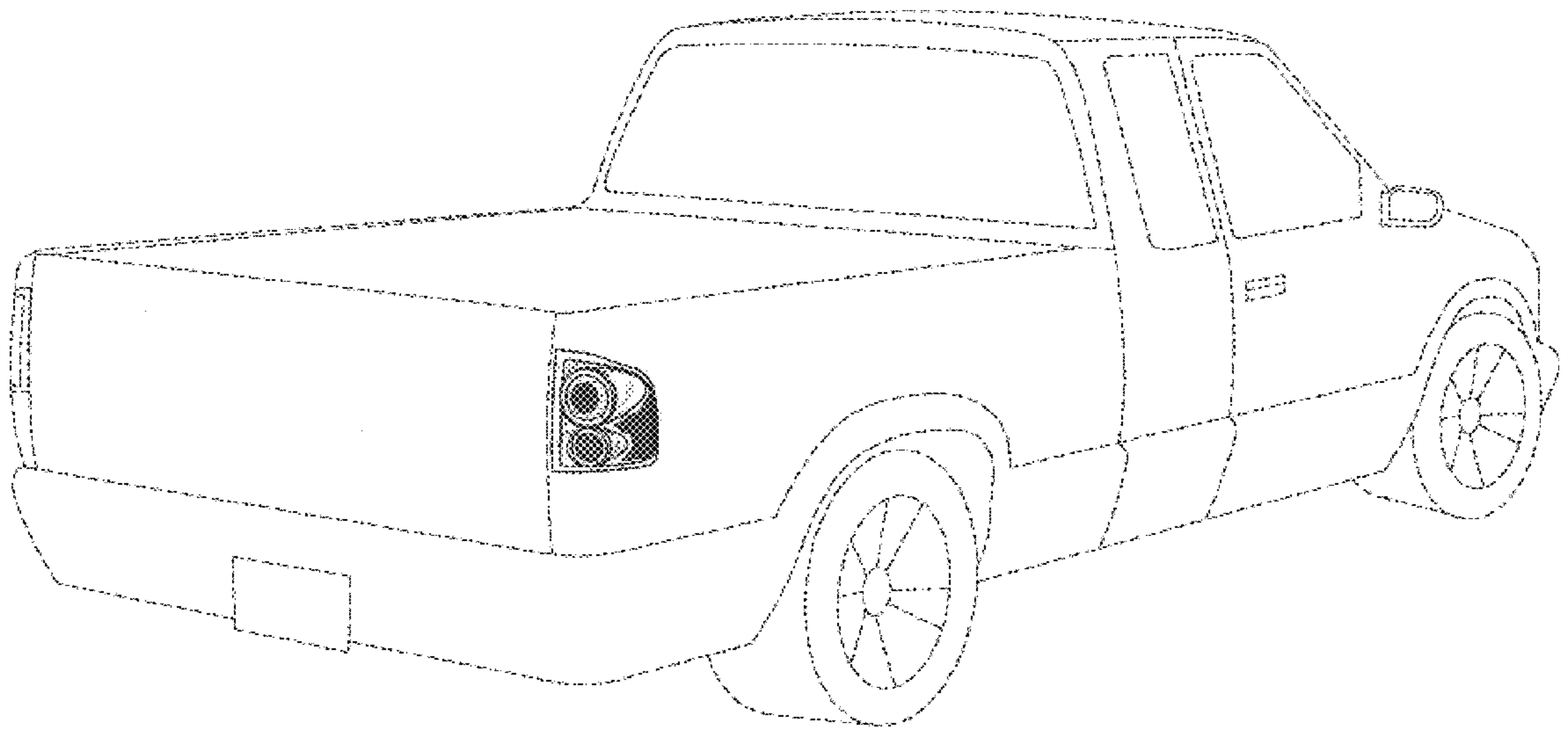


FIG. 12