



US00D460573S

(12) **United States Design Patent**
Gee, II

(10) **Patent No.:** **US D460,573 S**

(45) **Date of Patent:** **** Jul. 16, 2002**

(54) **LED NIGHT LIGHT**

(75) **Inventor:** **Jack W. Gee, II**, Cleveland, OH (US)

(73) **Assignee:** **General Electric Company**,
Schenectady, NY (US)

(**) **Term:** **14 Years**

(21) **Appl. No.:** **29/152,220**

(22) **Filed:** **Oct. 30, 2001**

5,070,239 A	12/1991	Pinkus	
D332,499 S	1/1993	Beeson	D26/26
5,179,797 A	1/1993	Edwards et al.	
5,611,089 A	3/1997	Cretors	
H1645 H	5/1997	Lewis	
5,713,655 A	2/1998	Blackman	
D399,014 S	9/1998	Emmerling	D26/26
D428,166 S	7/2000	Veach et al.	D26/26
D428,167 S	* 7/2000	Veach et al.	D26/26
D430,944 S	* 9/2000	Veach et al.	D26/26
D431,660 S	* 10/2000	Yuen	D26/26

* cited by examiner

Related U.S. Application Data

(62) Division of application No. 29/125,537, filed on Jun. 23, 2000.

(51) **LOC (7) Cl.** **26-04**

(52) **U.S. Cl.** **D26/26**

(58) **Field of Search** D26/24, 25, 26,
D26/37, 72, 73, 80, 81, 87, 88, 89, 92;
362/147, 200, 226, 222, 223, 367, 404

(56) **References Cited**

U.S. PATENT DOCUMENTS

D205,371 S	7/1966	Mellyn	D26/26
D210,683 S	4/1968	Tyler	D26/26
D212,707 S	11/1968	Tyler	D26/26
D216,327 S	12/1969	Vaggi	D26/26
D230,189 S	1/1974	Dietz et al.	D26/26
4,177,572 A	12/1979	Hindes	
4,601,924 A	7/1986	Birkes et al.	362/806
4,707,595 A	11/1987	Meyers	
RE33,572 E	4/1991	Meyers	

Primary Examiner—Marcus A. Jackson

(74) *Attorney, Agent, or Firm*—Pearne & Gordon LLP

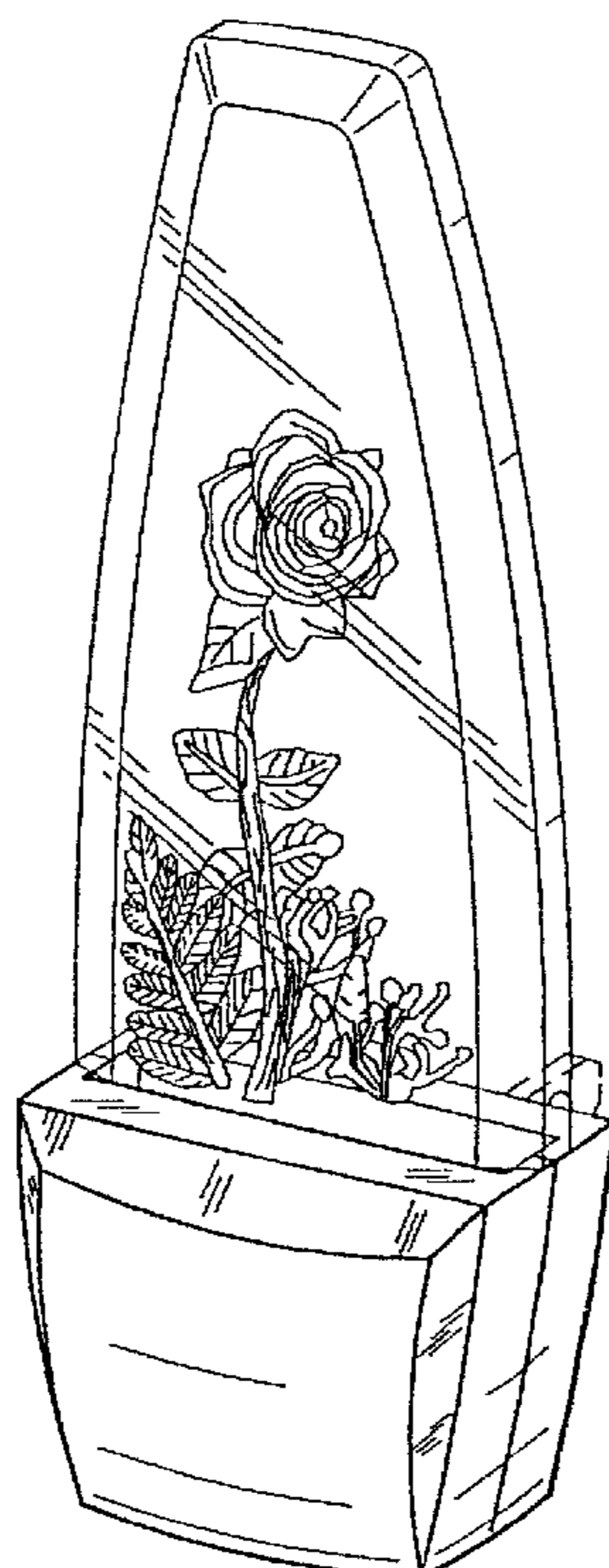
(57) **CLAIM**

The ornamental design for a LED night light, as shown and described.

DESCRIPTION

FIG. 1 is a perspective view of an embodiment of an LED night light according of the invention;
FIG. 2 is a front elevation view of the LED night light of FIG. 1;
FIG. 3 is a top plan view of the LED night light of FIG. 1;
FIG. 4 is a side elevation view of the LED night light of FIG. 1;
FIG. 5 is a rear elevation view of the LED night light of FIG. 1; and,
FIG. 6 is a bottom plan view of the LED night light of FIG. 1.

1 Claim, 3 Drawing Sheets



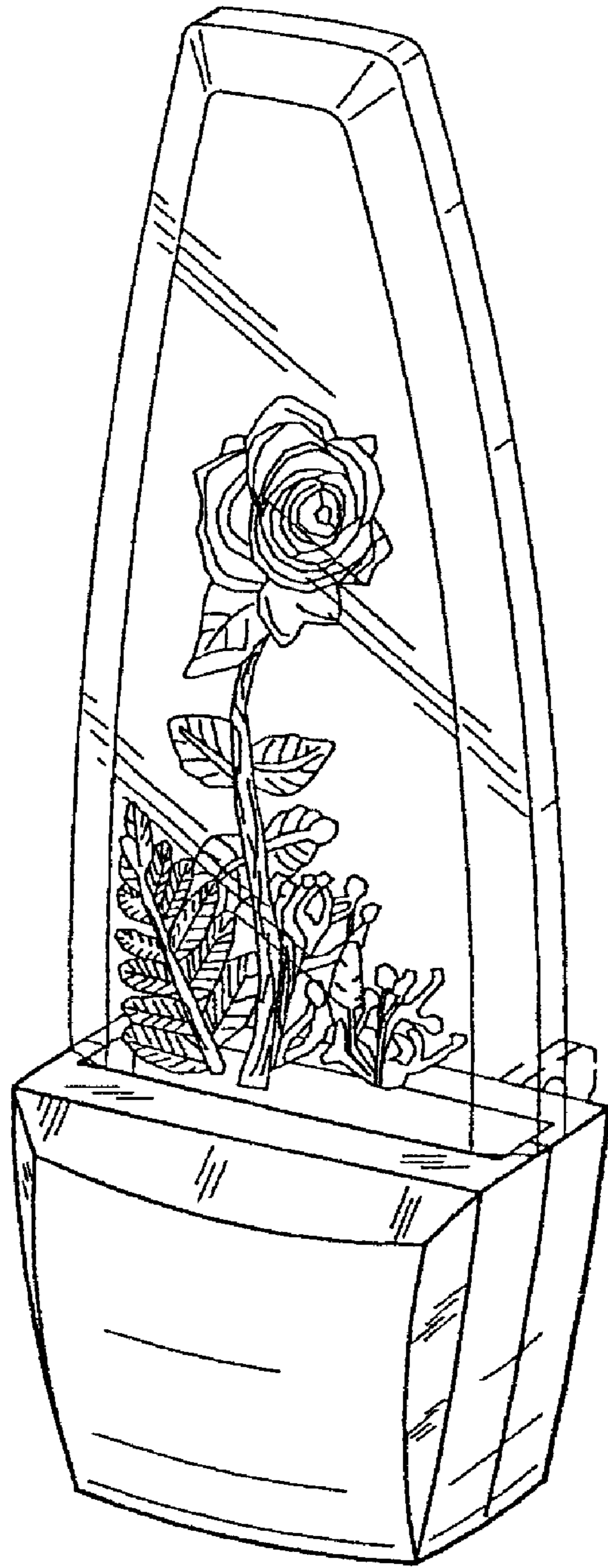


FIG. 1

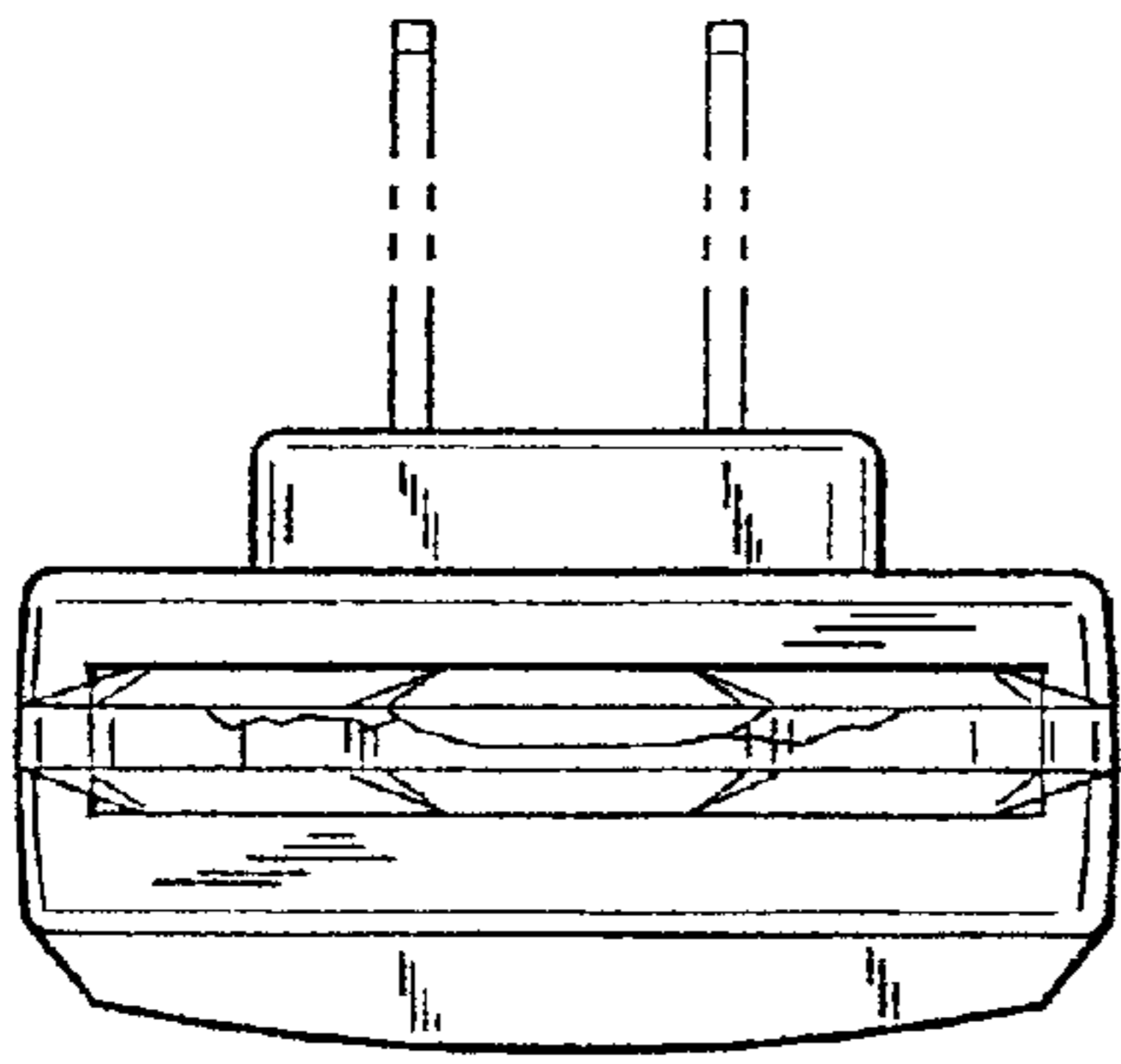


FIG. 3

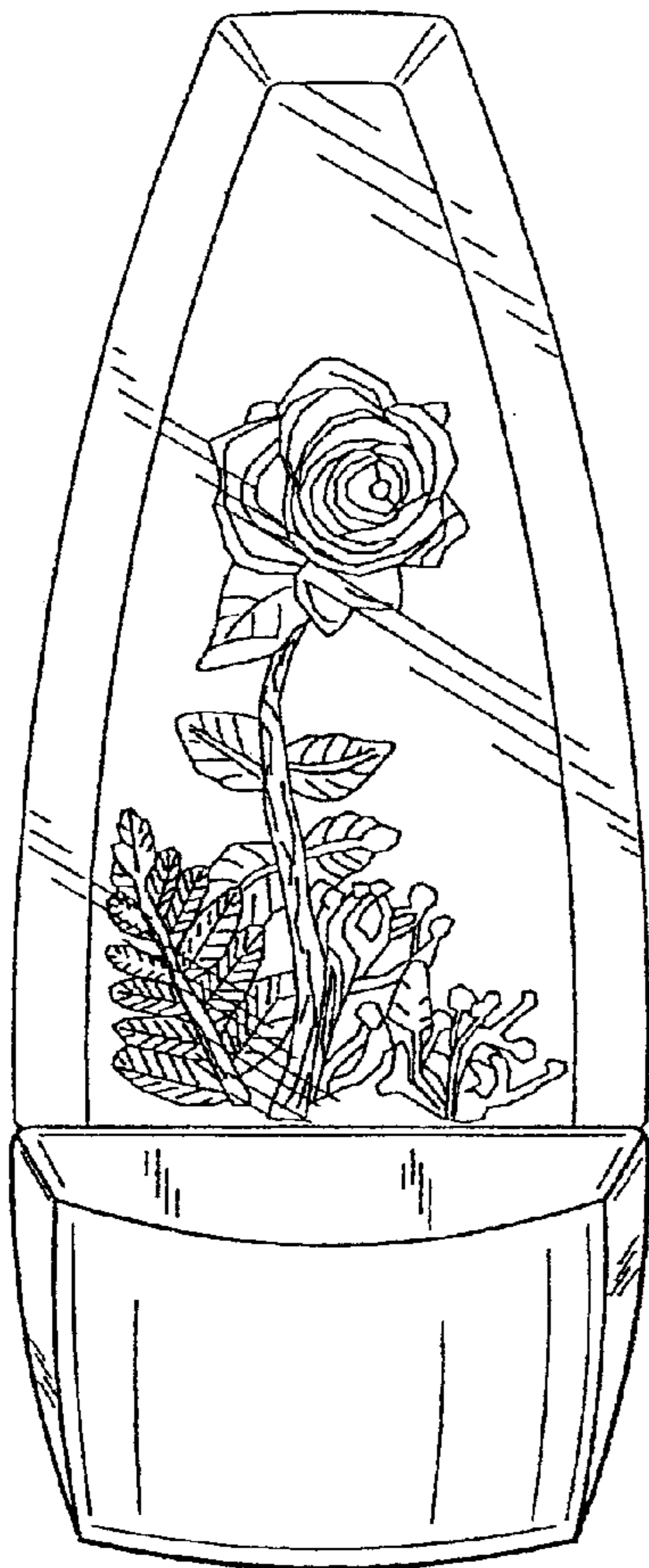


FIG. 2

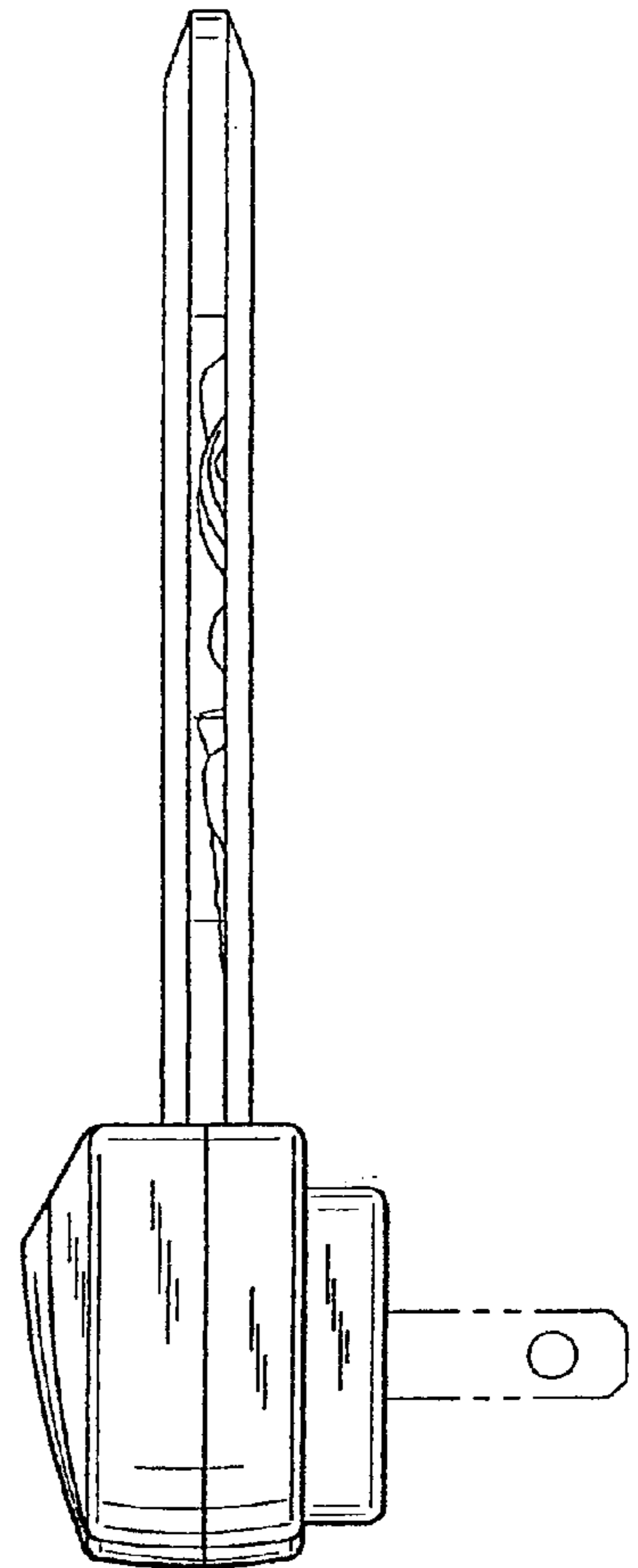


FIG. 4

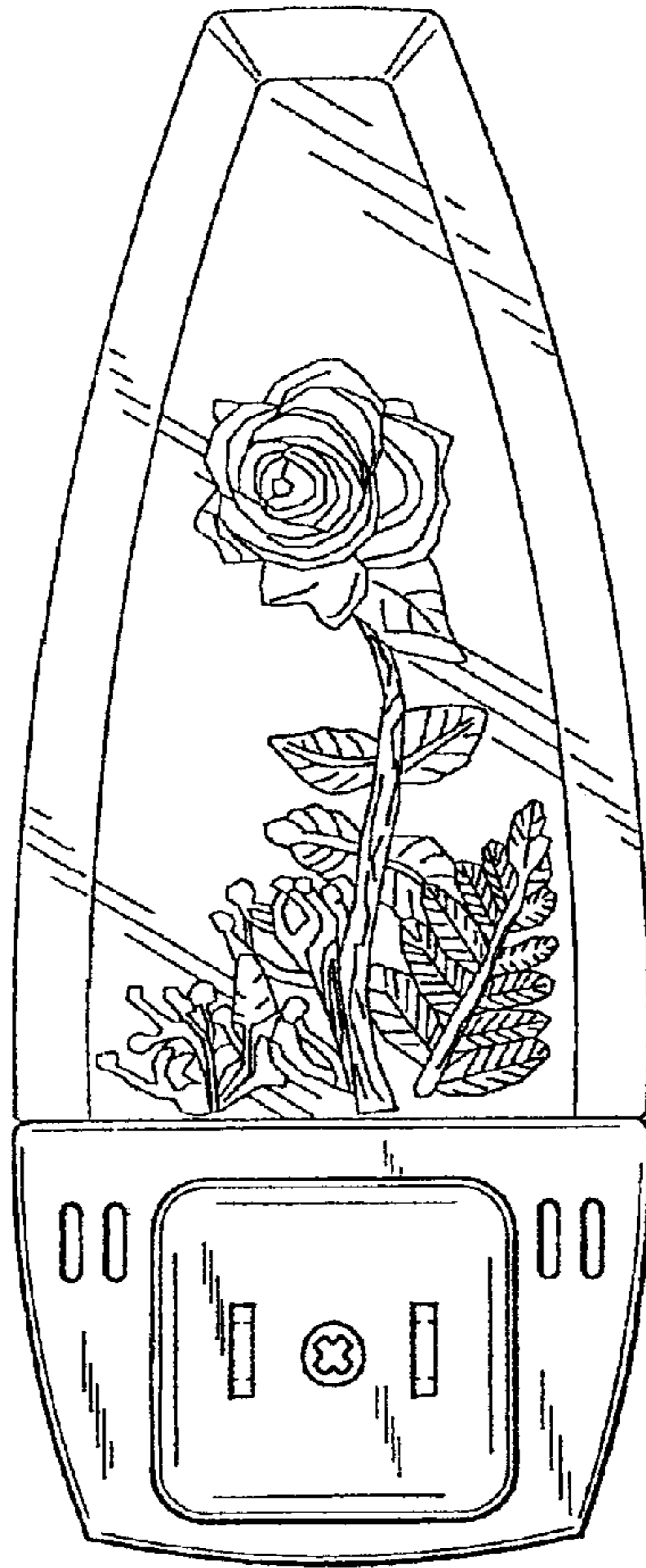


FIG. 5

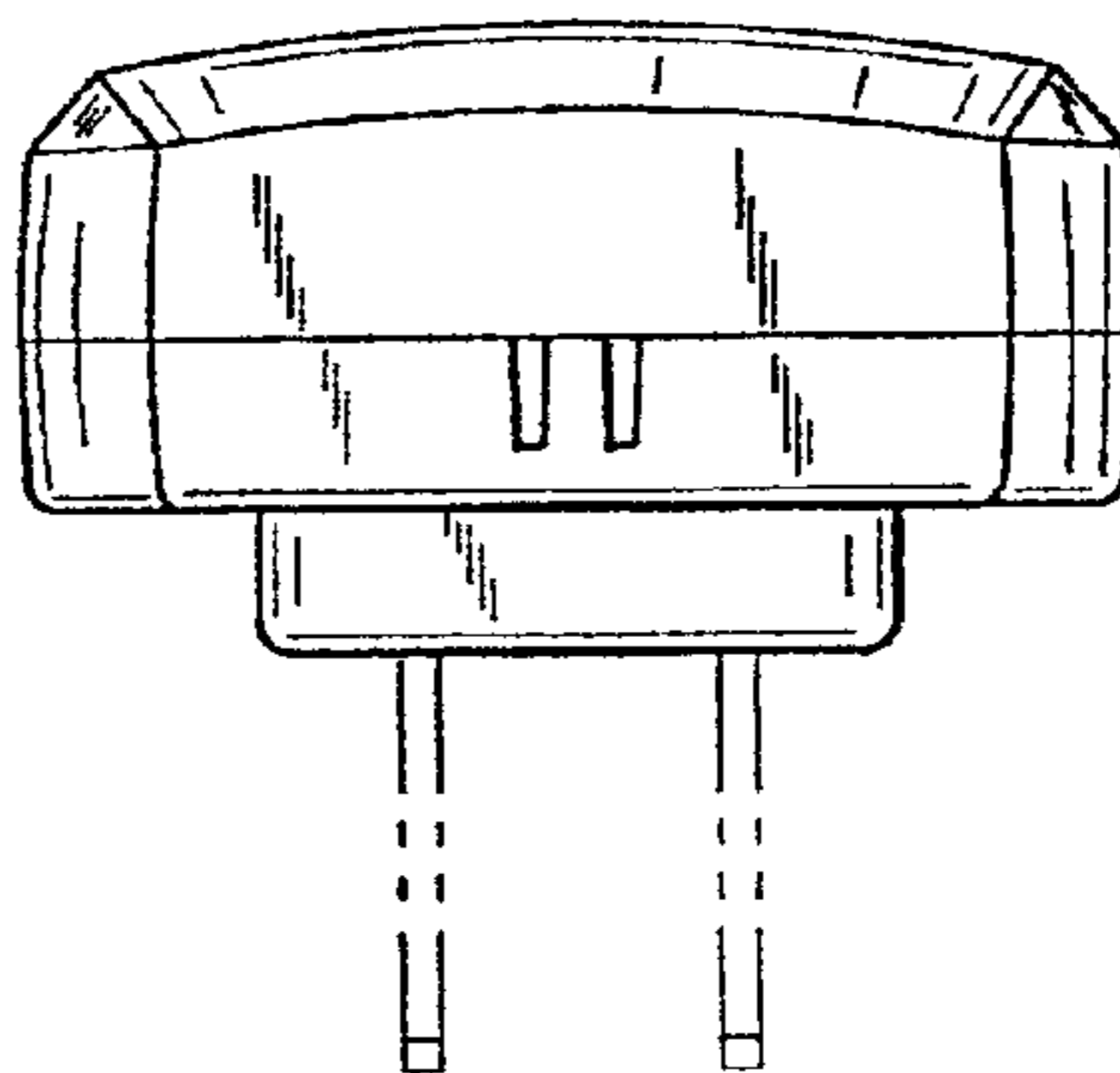


FIG. 6