



US00D460571S

(12) **United States Design Patent**
Schimmelpfennig

(10) **Patent No.:** **US D460,571 S**

(45) **Date of Patent:** **** Jul. 16, 2002**

(54) **REINFORCING BAR PROTECTION CAP**

5,884,443 A 3/1999 Schimmelpfennig et al.
D416,631 S 11/1999 Schimmelpfennig et al.

(75) Inventor: **Jerry D. Schimmelpfennig**, Mount Pleasant, IA (US)

* cited by examiner

(73) Assignee: **Lomont Molding, Inc.**, Mt. Pleasant, IA (US)

Primary Examiner—Doris Clark

(**) Term: **14 Years**

(57) **CLAIM**

(21) Appl. No.: **29/137,063**

I claim the ornamental design for a reinforcing bar protection cap, as shown and described.

(22) Filed: **Feb. 12, 2001**

DESCRIPTION

(51) **LOC (7) Cl.** **25-01**

FIG. 1 is a top perspective view of a reinforcing bar protection cap showing my new design;

(52) **U.S. Cl.** **D25/135**

FIG. 2 is a bottom perspective view thereof;

(58) **Field of Search** D25/135, 199; 52/301, 289, 701; D8/402, 349, 499

FIG. 3 is an enlarged scale bottom plan view;

FIG. 4 is an enlarged scale top plan view;

FIG. 5 is an enlarged scale left side elevational view with the right side elevational view being a mirror image; and,

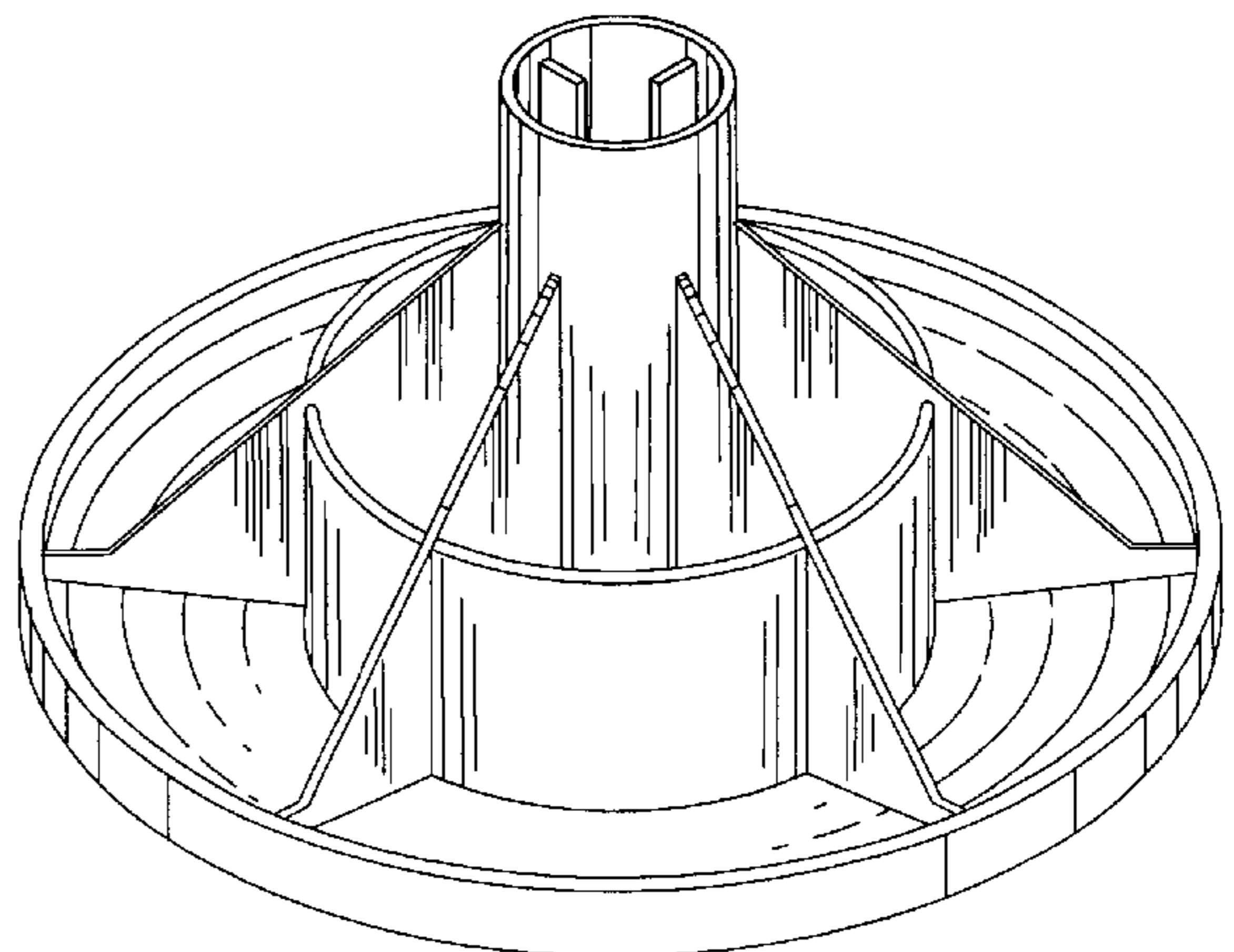
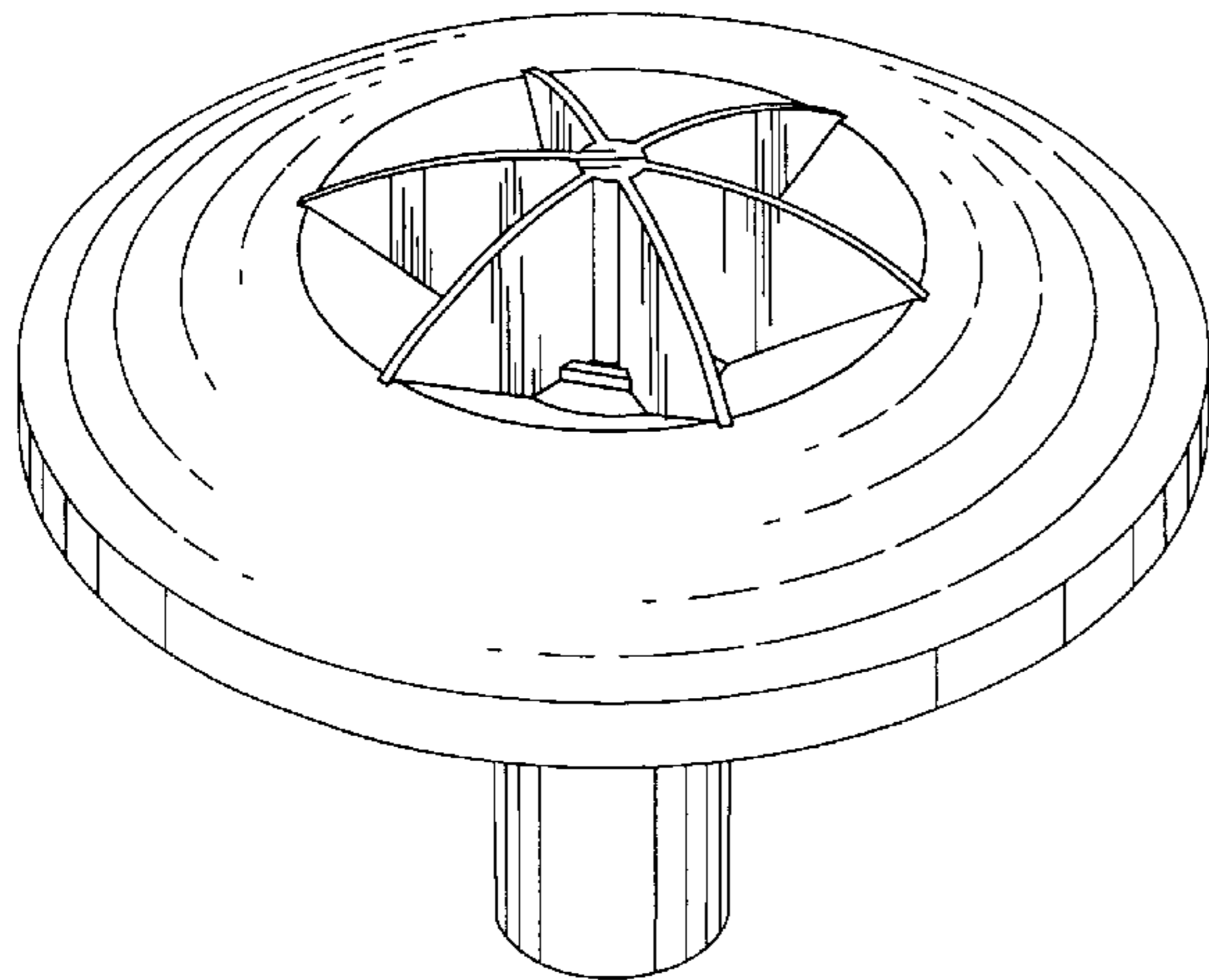
FIG. 6 is an enlarged scale front elevational view with the rear elevational view being a mirror image.

(56) **References Cited**

U.S. PATENT DOCUMENTS

5,568,708 A * 10/1996 Kassardjian et al. 51/301

1 Claim, 3 Drawing Sheets



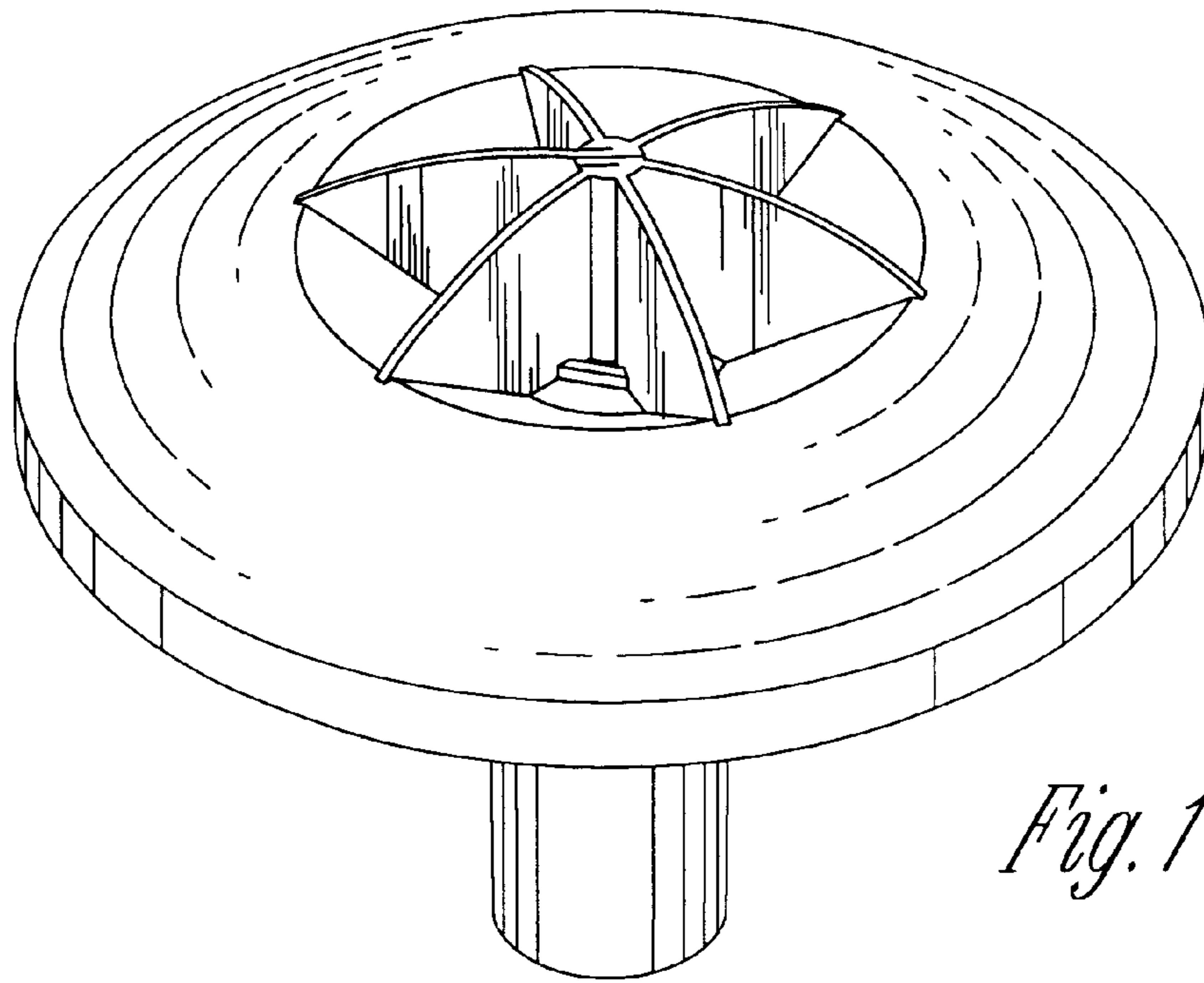


Fig. 1

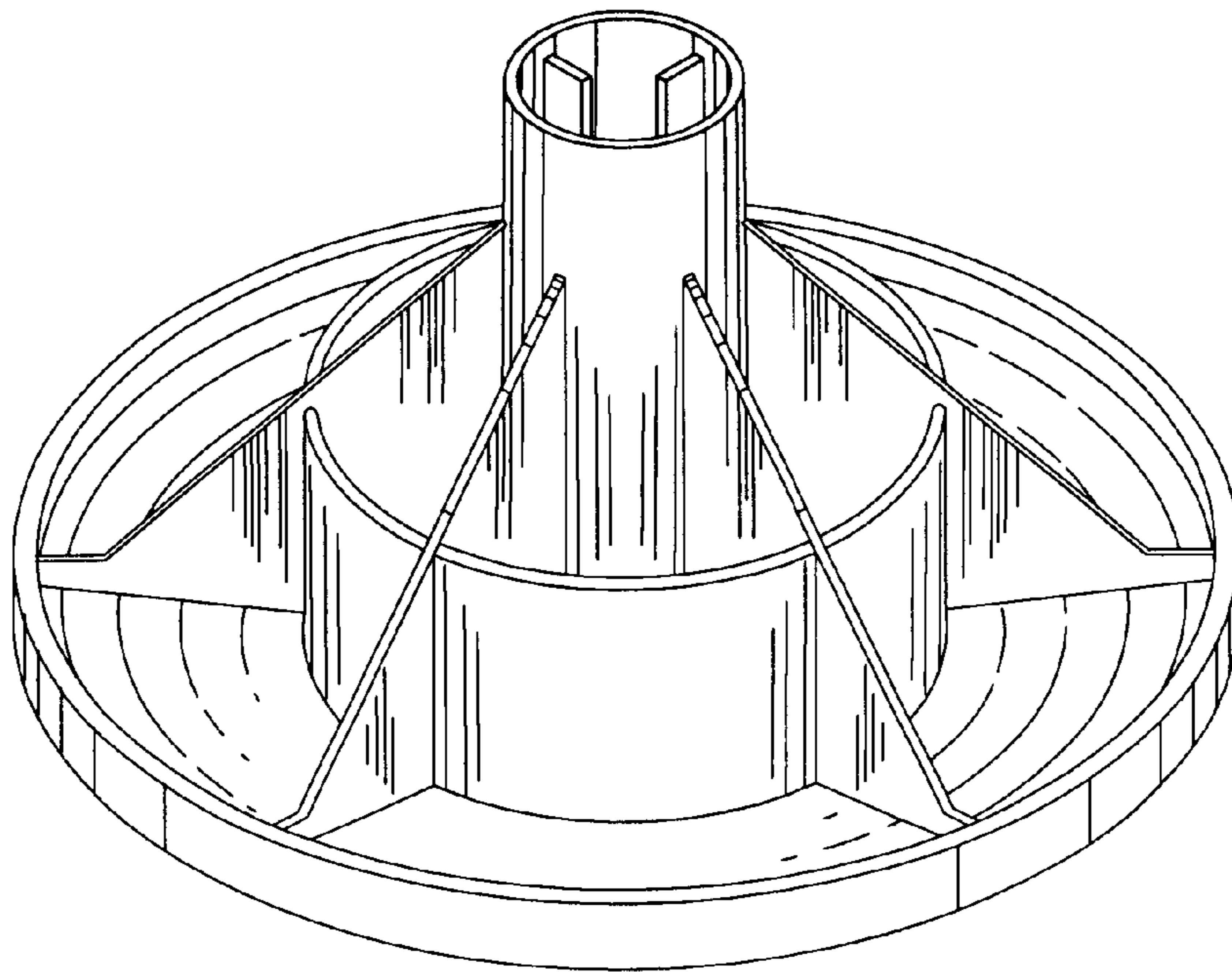


Fig. 2

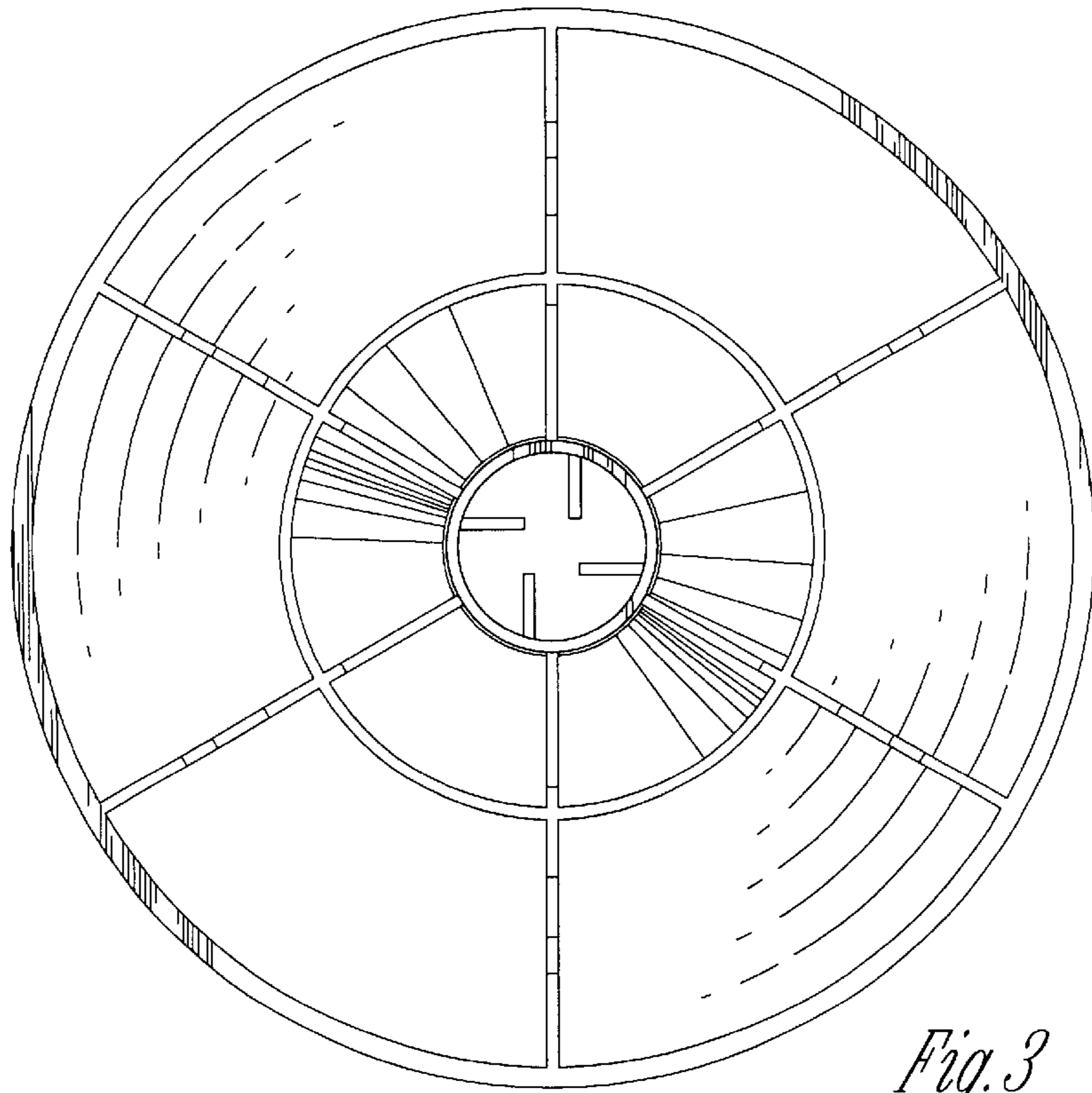


Fig. 3

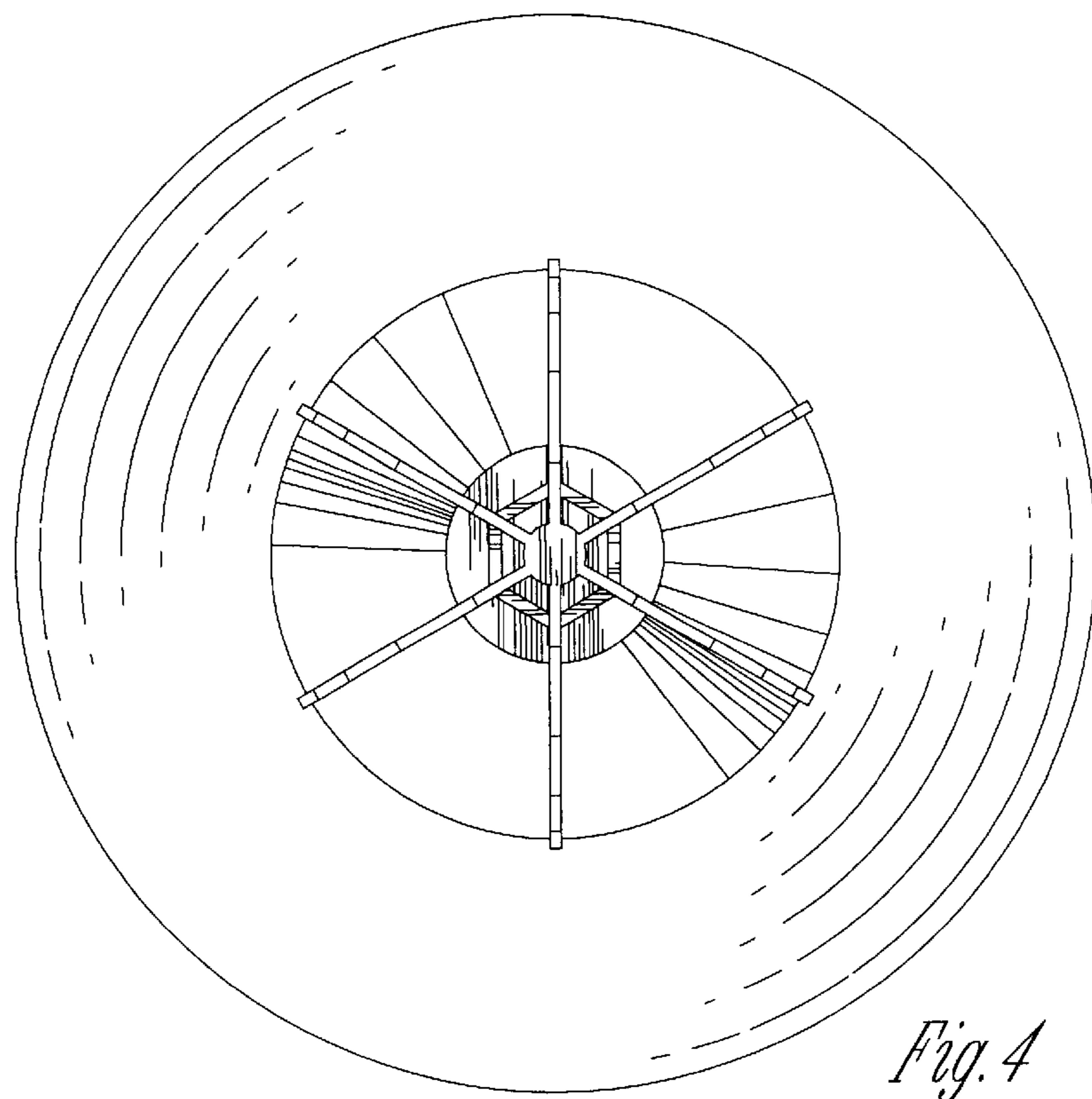


Fig. 4

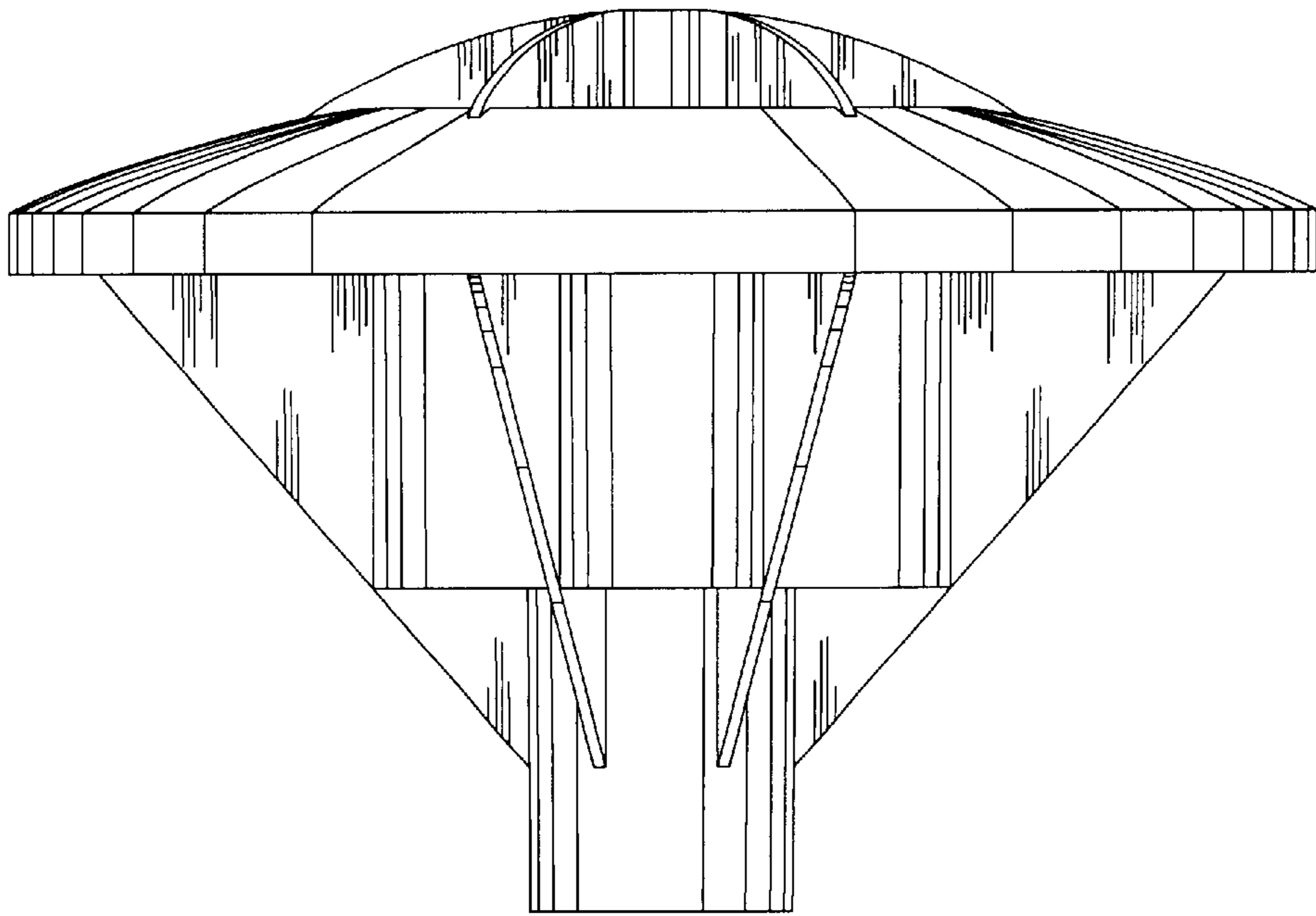


Fig. 5

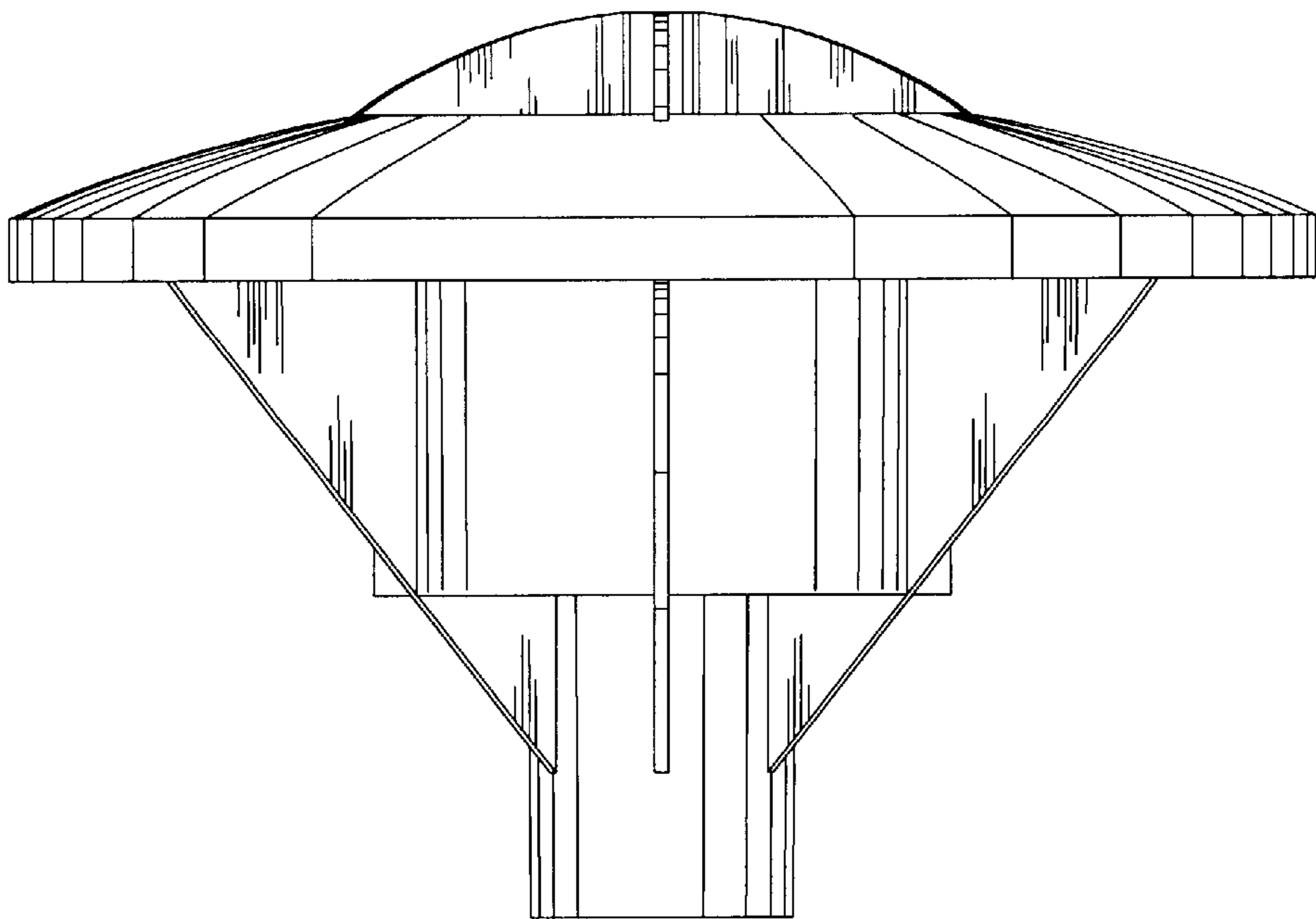


Fig. 6