



US00D460570S

(12) **United States Design Patent**
Grant

(10) **Patent No.:** **US D460,570 S**

(45) **Date of Patent:** **** Jul. 16, 2002**

(54) **POST CAP**

(76) Inventor: **Darcey Grant**, 100 Chelsea, Kingsville,
Ontario (CA), N9Y 3X4

(**) Term: **14 Years**

(21) Appl. No.: **29/136,904**

(22) Filed: **Feb. 9, 2001**

(51) **LOC (7) Cl.** **25-01**

(52) **U.S. Cl.** **D25/135**

(58) **Field of Search** D25/135; 256/65;
52/300, 301

(56) **References Cited**

U.S. PATENT DOCUMENTS

D186,379 S * 10/1959 Ross D25/135

* cited by examiner

Primary Examiner—Doris Clark

(74) *Attorney, Agent, or Firm*—Harness, Dickey & Pierce,
P.L.C.

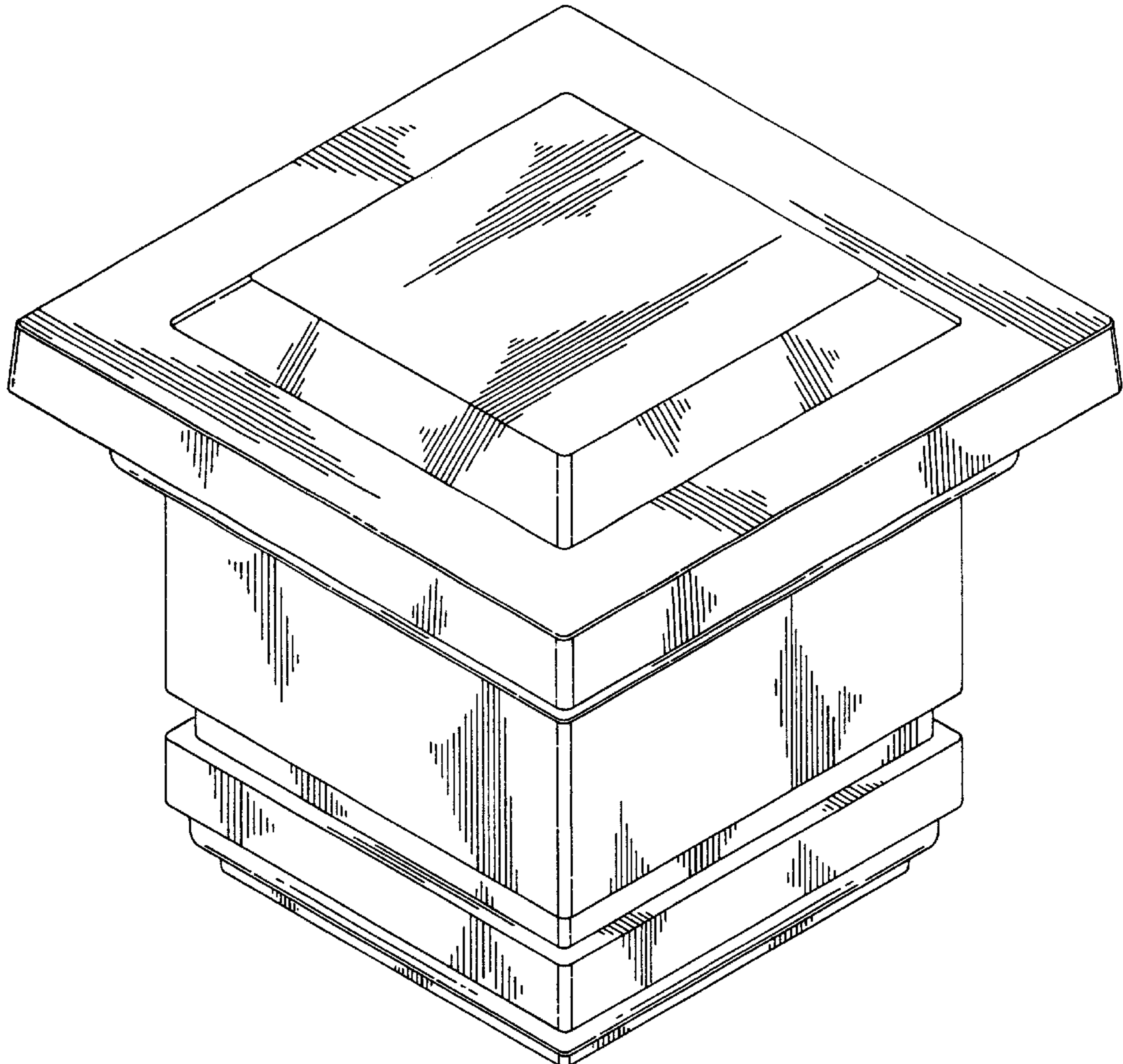
(57) **CLAIM**

The ornamental design for the post cap, as shown and described.

DESCRIPTION

FIG. 1 is a perspective view of a post cap in accordance with a first embodiment of the present invention;
FIG. 2 is a side elevational view of the first embodiment of the present invention, it being understood that the four side elevational views are identical;
FIG. 3 is a top plan view of the first embodiment of the present invention;
FIG. 4 is a bottom plan view of the first embodiment of the present invention;
FIG. 5 is a perspective view of a post cap in accordance with a second embodiment of the present invention;
FIG. 6 is a side elevational view of the second embodiment of the present invention, it being understood that the four side elevational views are identical;
FIG. 7 is a top plan view of the second embodiment of the present invention; and,
FIG. 8 is a bottom plan view of the second embodiment of the present invention.

1 Claim, 6 Drawing Sheets



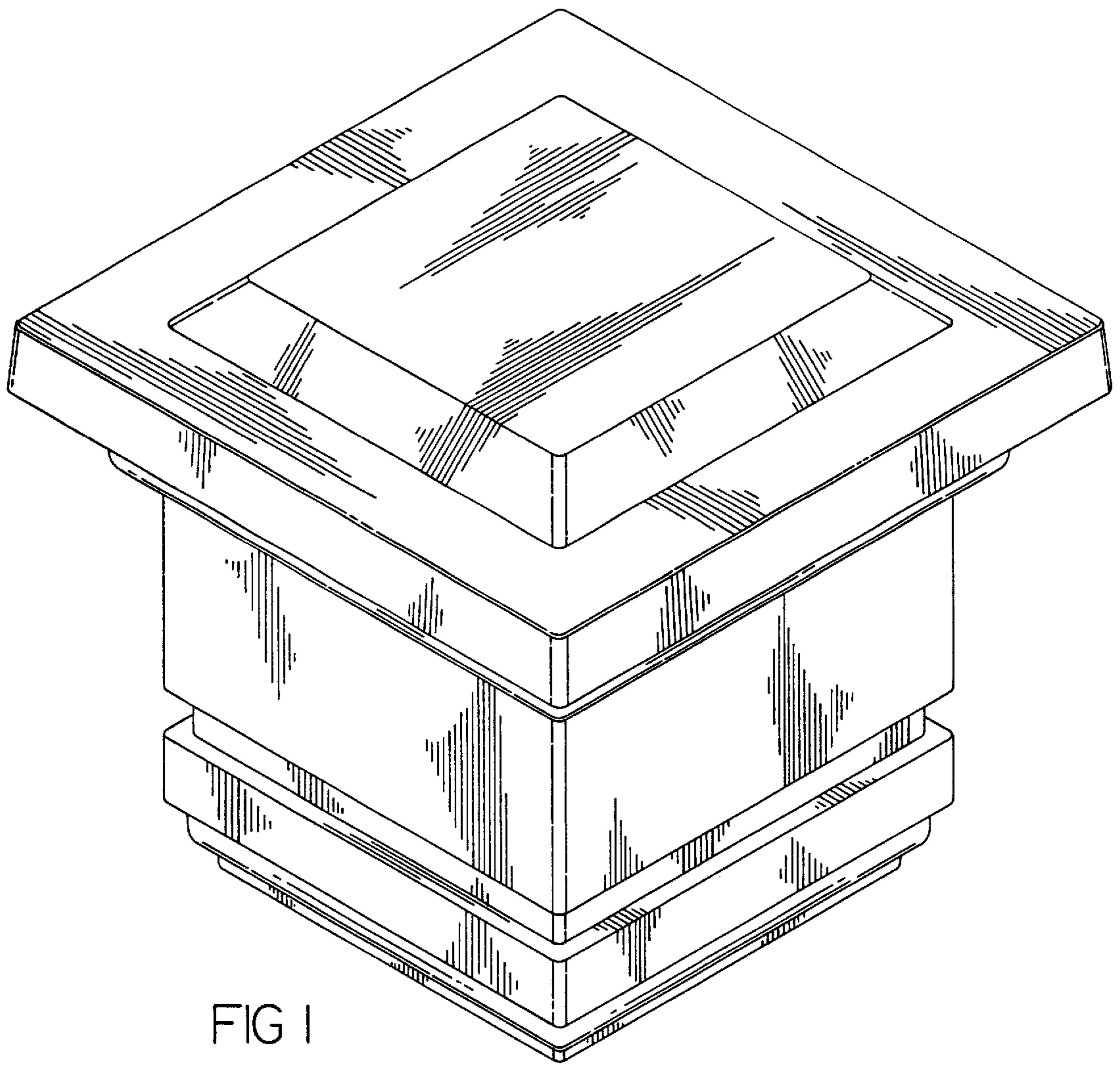


FIG 1

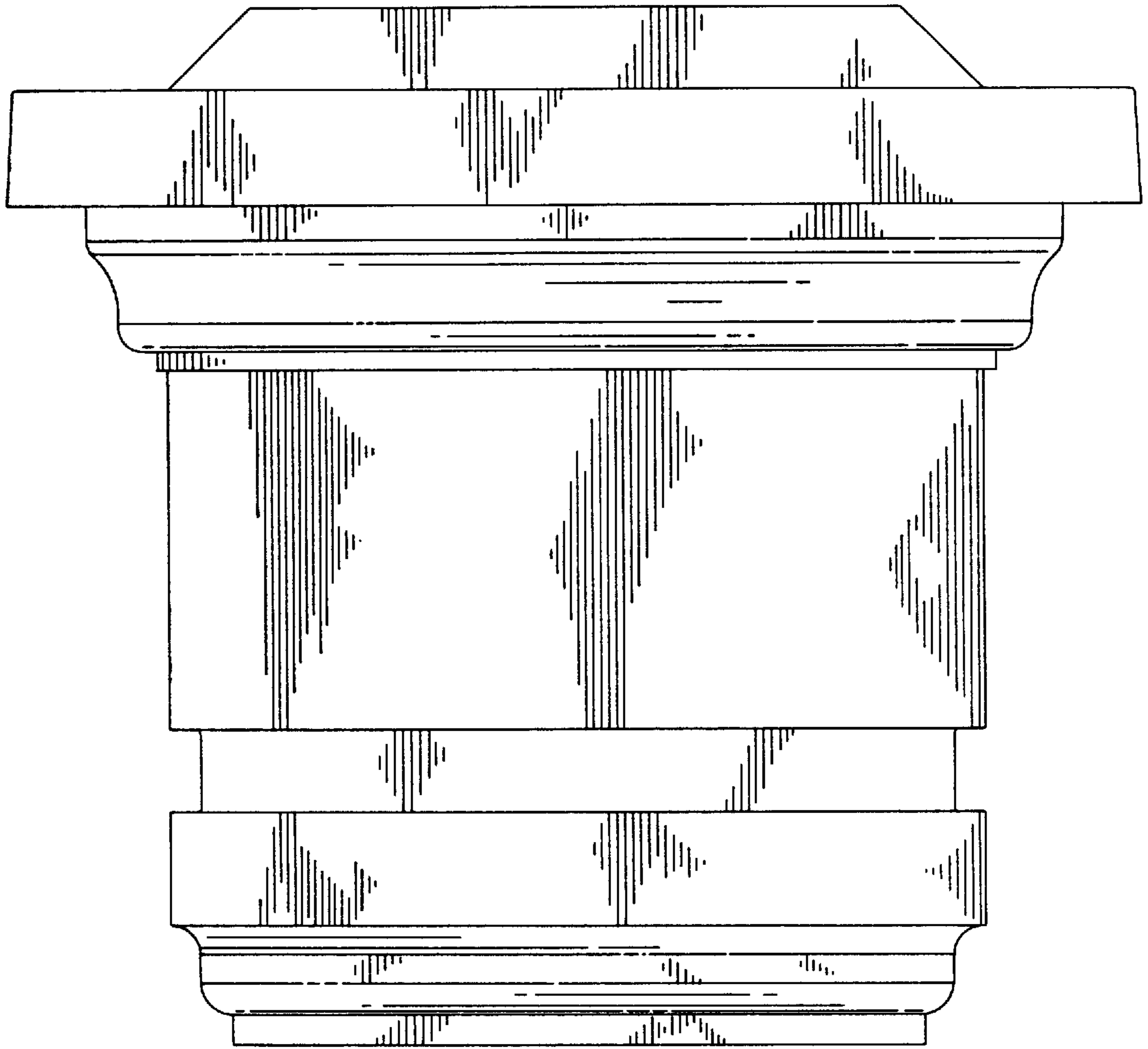


FIG 2

FIG 3

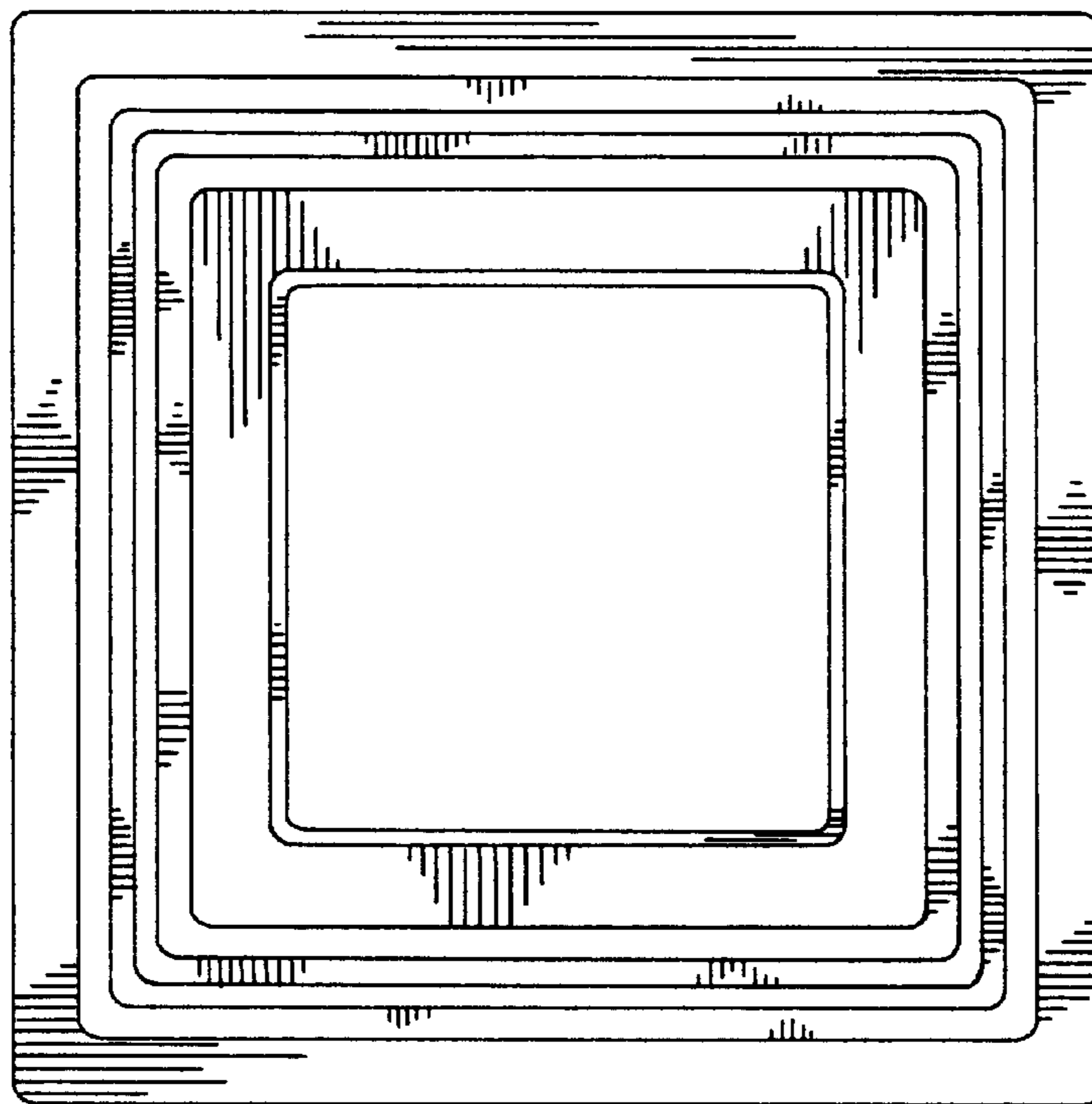
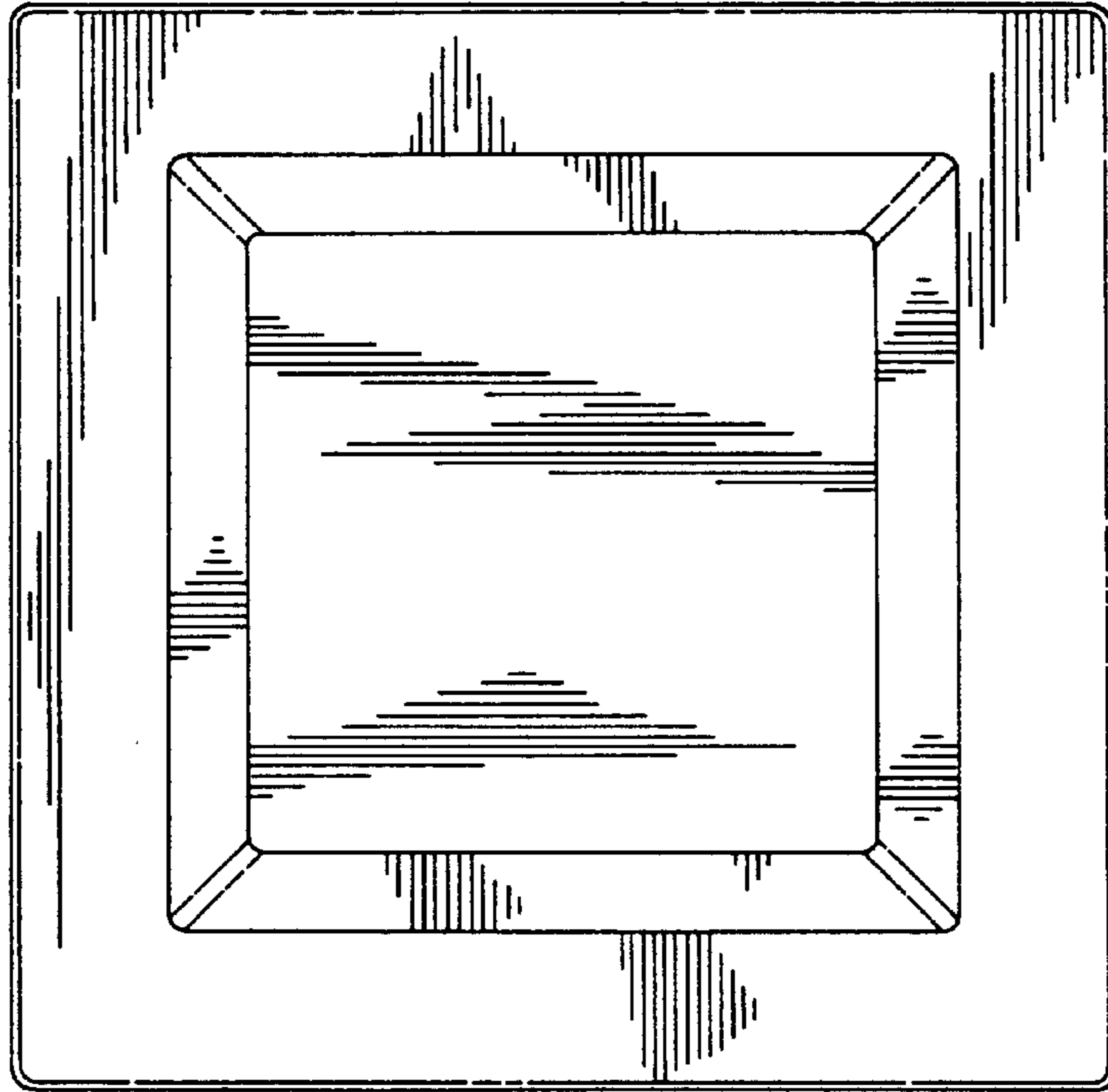


FIG 4

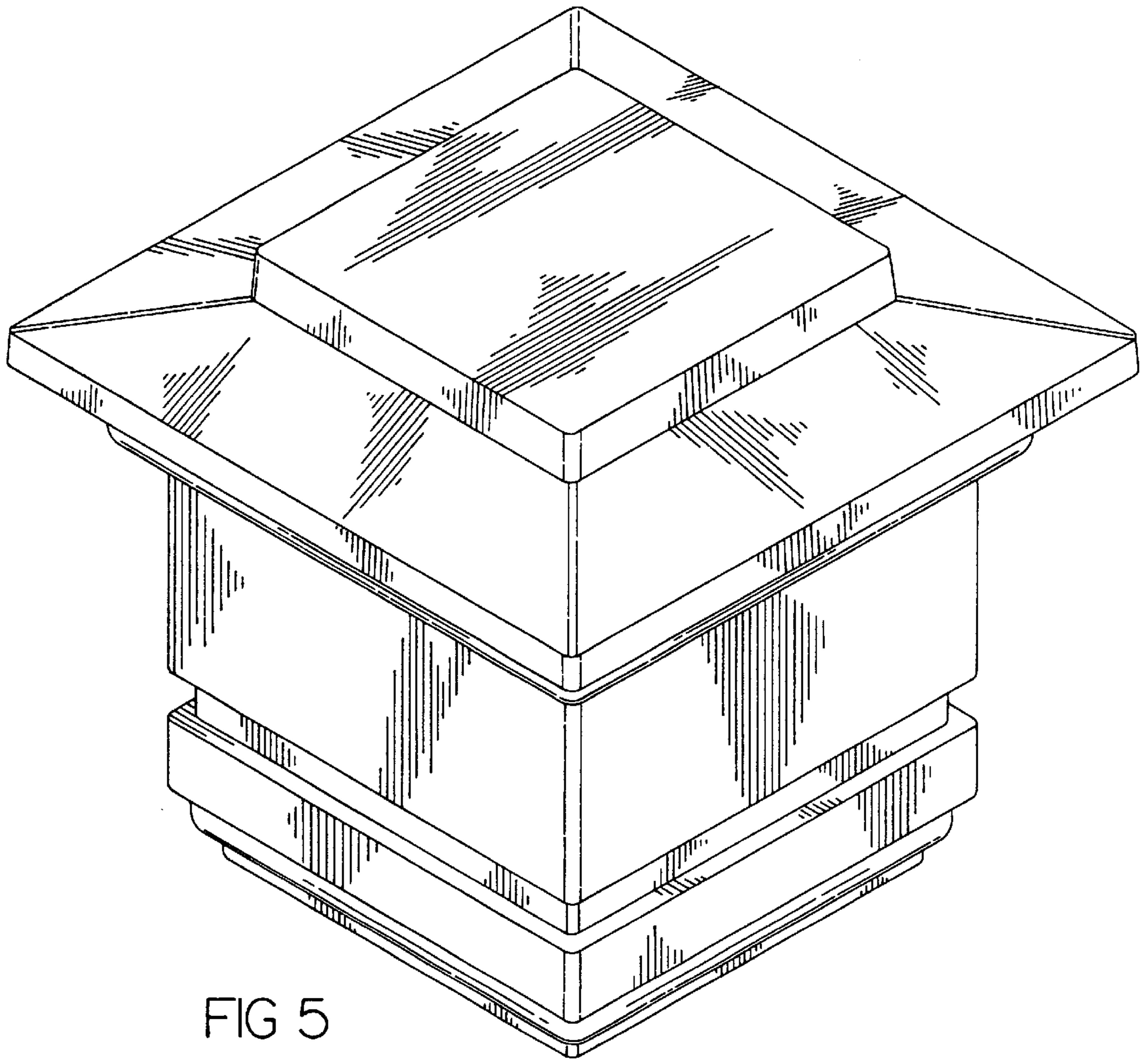


FIG 5

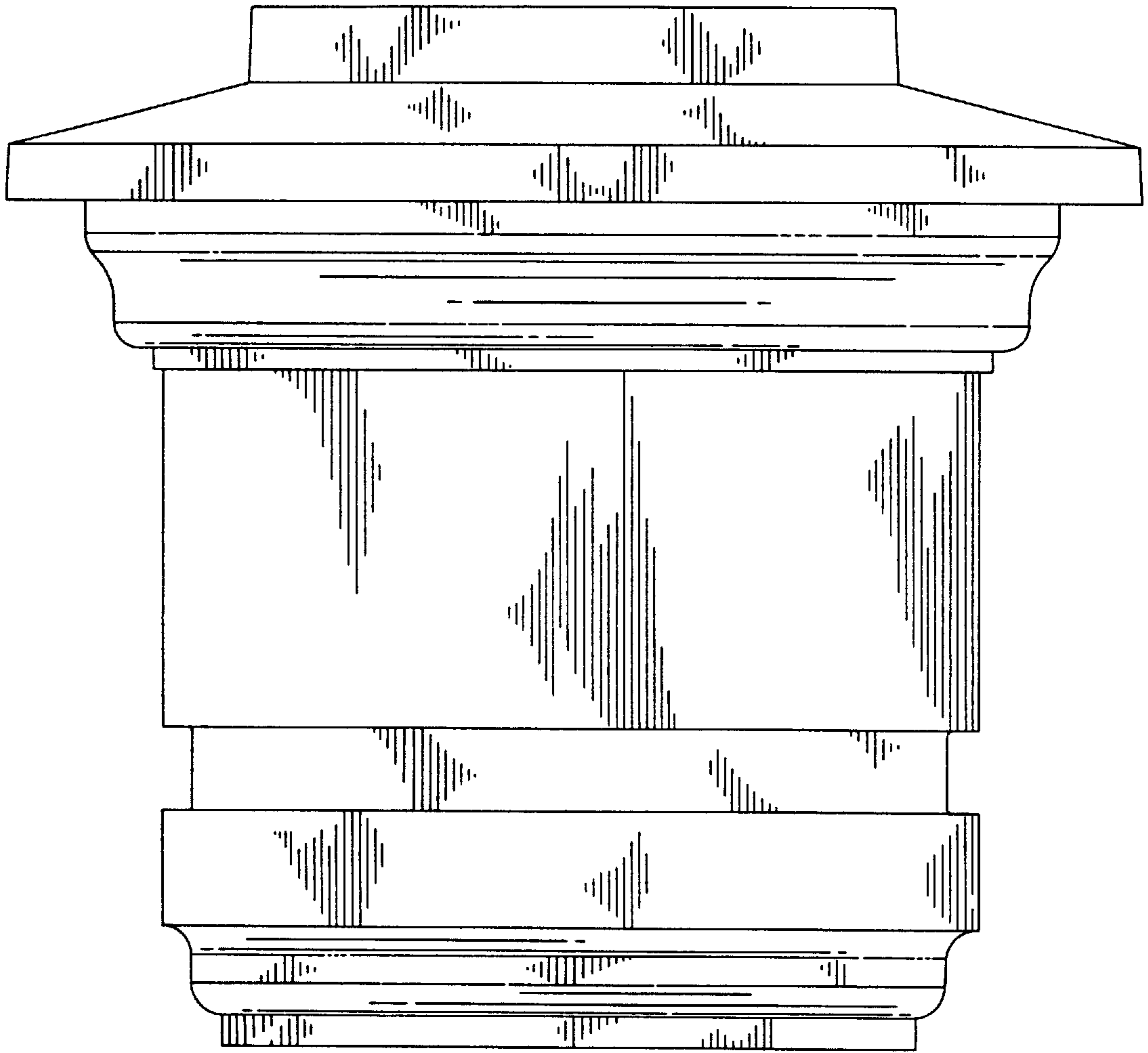


FIG 6

FIG 7

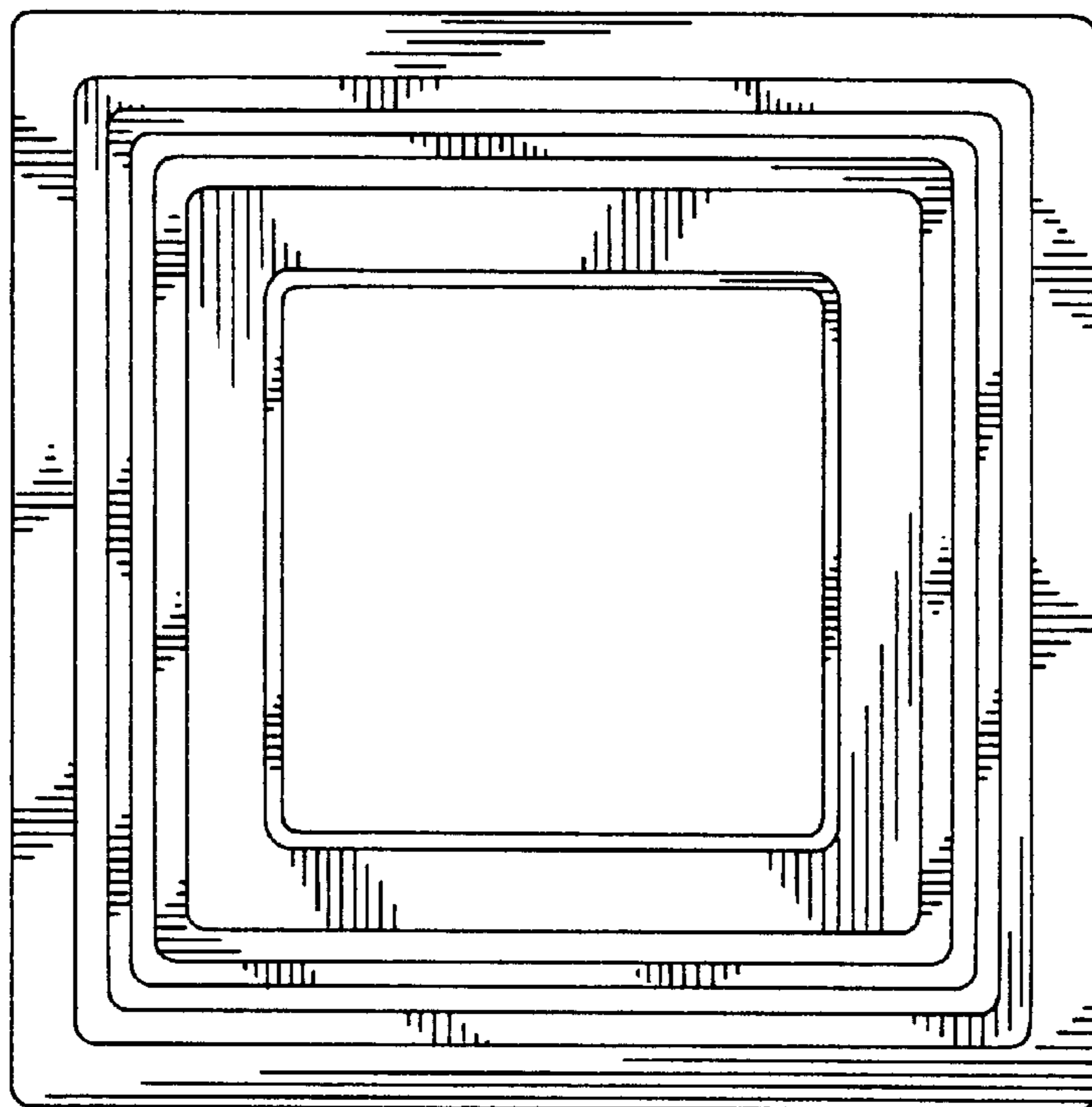
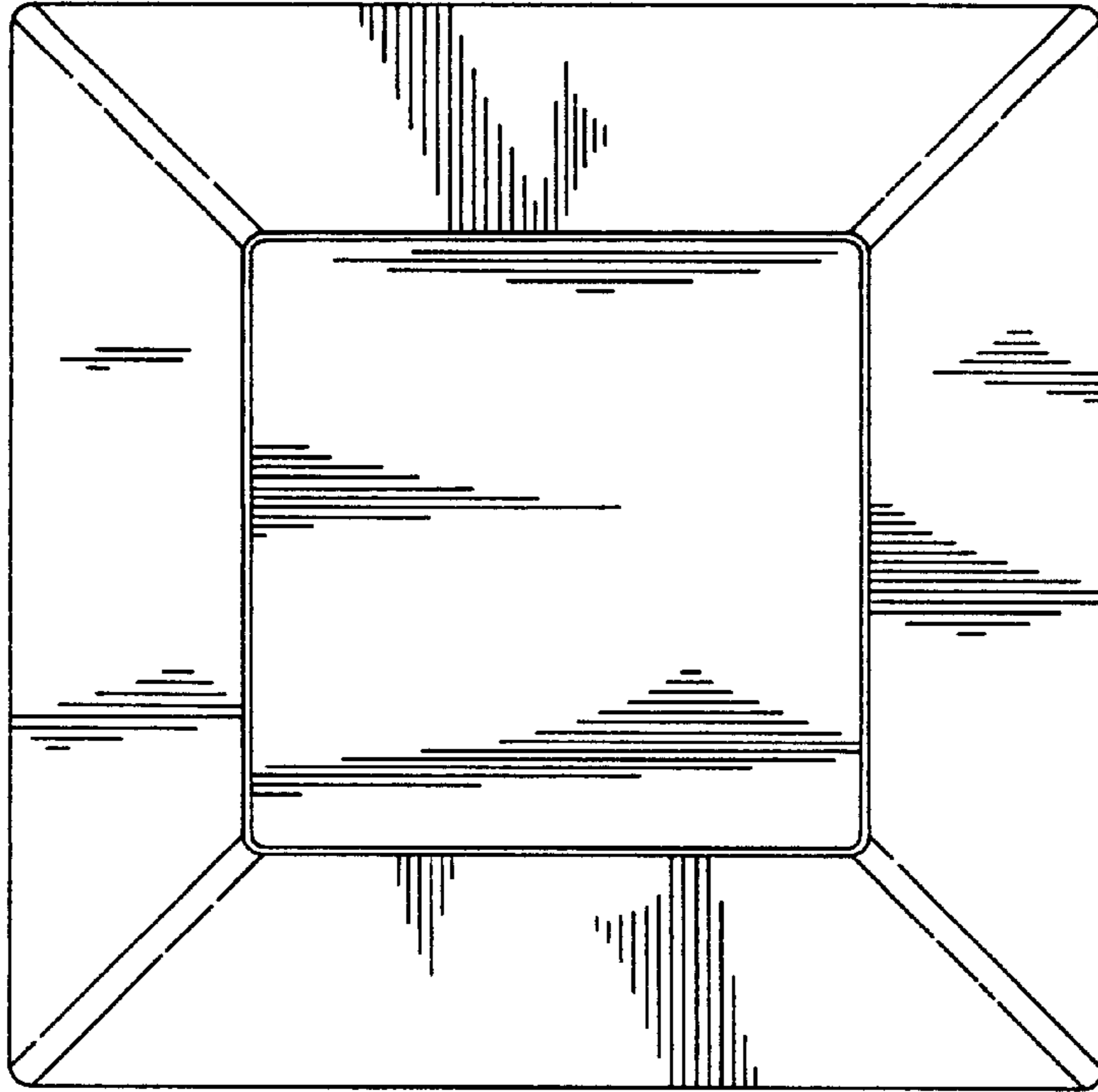


FIG 8