



US00D460569S

(12) **United States Design Patent** (10) **Patent No.:** **US D460,569 S**  
**Cox** (45) **Date of Patent:** **\*\* Jul. 16, 2002**

(54) **LAMP POST**

(75) Inventor: **Errick W. Cox**, Cleveland, OH (US)

(73) Assignee: **Cox Decor, Inc.**, Cleveland, OH (US)

(\*\*) Term: **14 Years**

(21) Appl. No.: **29/142,656**

(22) Filed: **May 30, 2001**

(51) **LOC (7) Cl.** ..... **25-01**

(52) **U.S. Cl.** ..... **D25/126**

(58) **Field of Search** ..... D25/126; 362/217,  
362/382, 431

(56) **References Cited**

**U.S. PATENT DOCUMENTS**

- 1,268,913 A \* 6/1918 Stout
- 3,188,836 A \* 6/1965 Kniebes
- 3,330,133 A \* 7/1967 Kniebes
- 3,599,201 A \* 8/1971 Clardy et al. .... 340/326
- D309,788 S \* 8/1990 Koziol ..... D26/67
- D348,232 S \* 6/1994 Mauk ..... D11/121
- 5,468,142 A \* 11/1995 Koziol

\* cited by examiner

*Primary Examiner*—Stella Reid

(74) *Attorney, Agent, or Firm*—Fay, Sharpe, Fagan,  
Minnich & McKee, LLP

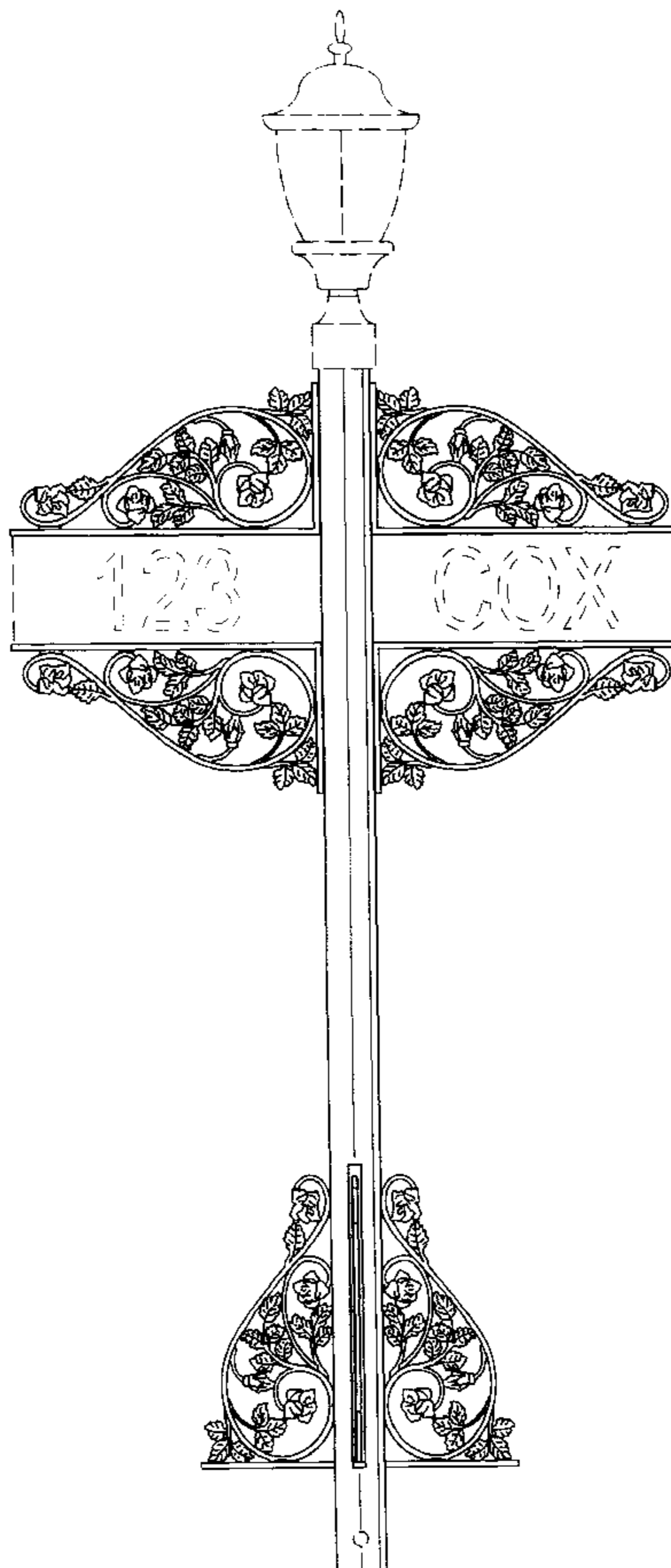
(57) **CLAIM**

The ornamental design for a lamp post, as shown and described.

**DESCRIPTION**

FIG. 1 is a front elevational view of a lamp post showing my new design;  
 FIG. 2 is a rear elevational view thereof;  
 FIG. 3 is a right side elevational view thereof, the left side view being the mirror image thereof;  
 FIG. 4 is a top plan view thereof;  
 FIG. 5 is a bottom plan view thereof;  
 FIG. 6 is a front elevational view of a second embodiment of the lamp post in FIG. 1, showing my new design;  
 FIG. 7 is a rear elevational view thereof;  
 FIG. 8 is a right side elevational view thereof, the left side view being the mirror image thereof;  
 FIG. 9 is a top plan view thereof;  
 FIG. 10 is a bottom plan view thereof; and,  
 FIG. 11 is a front elevational view thereof.  
 The broken lines shown are for illustrative purposes only and form no part of the claimed design.

**1 Claim, 9 Drawing Sheets**



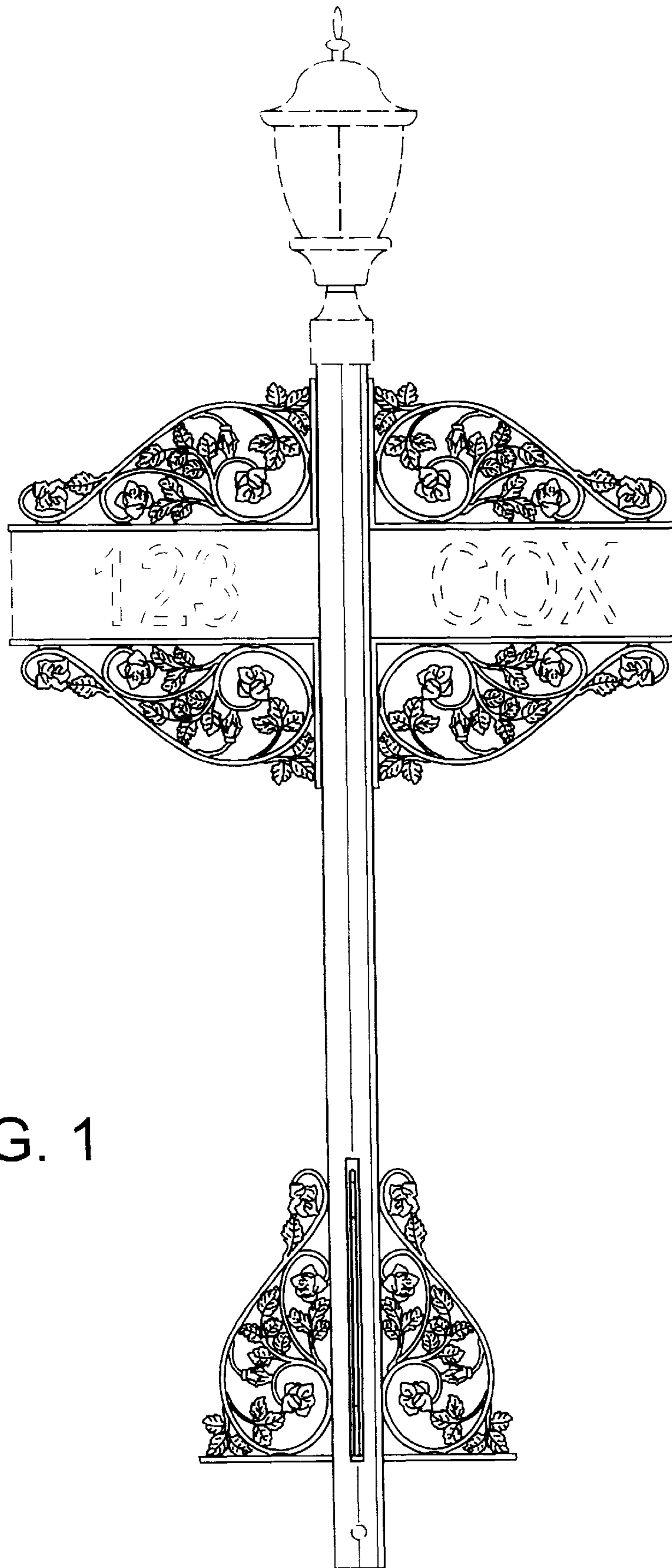


FIG. 1

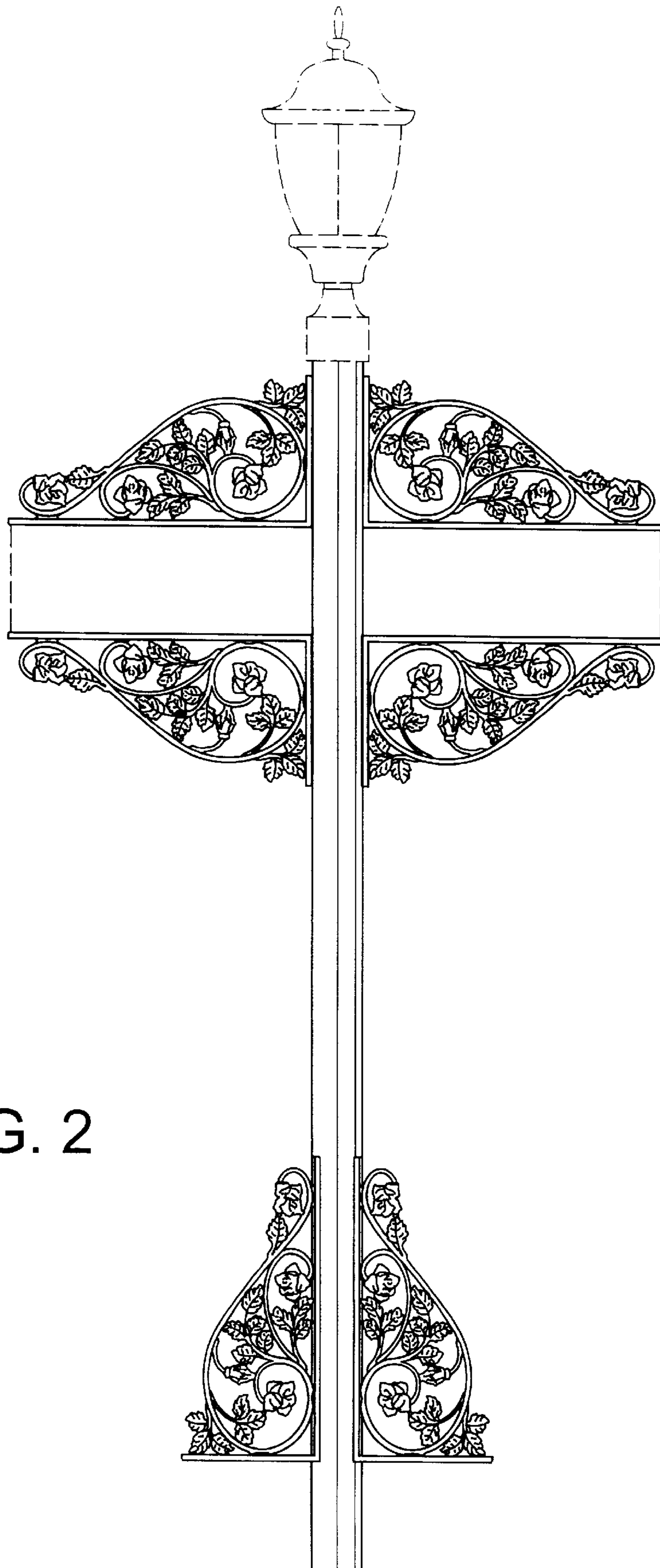


FIG. 2

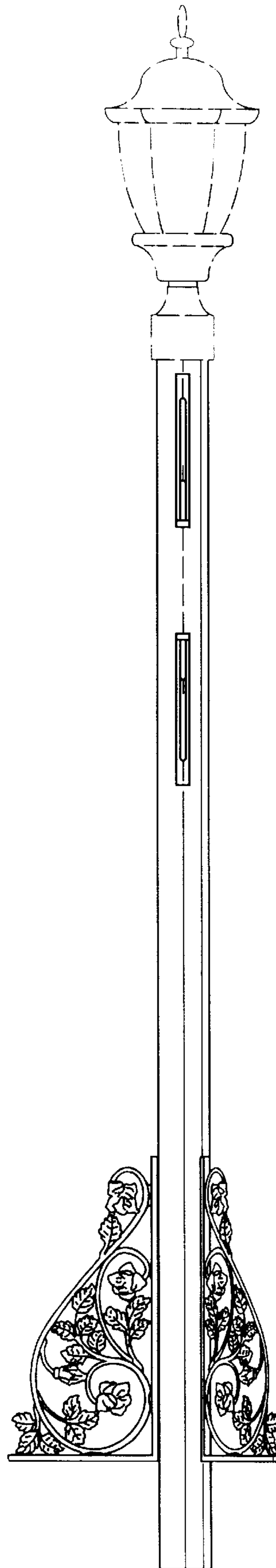


FIG. 3

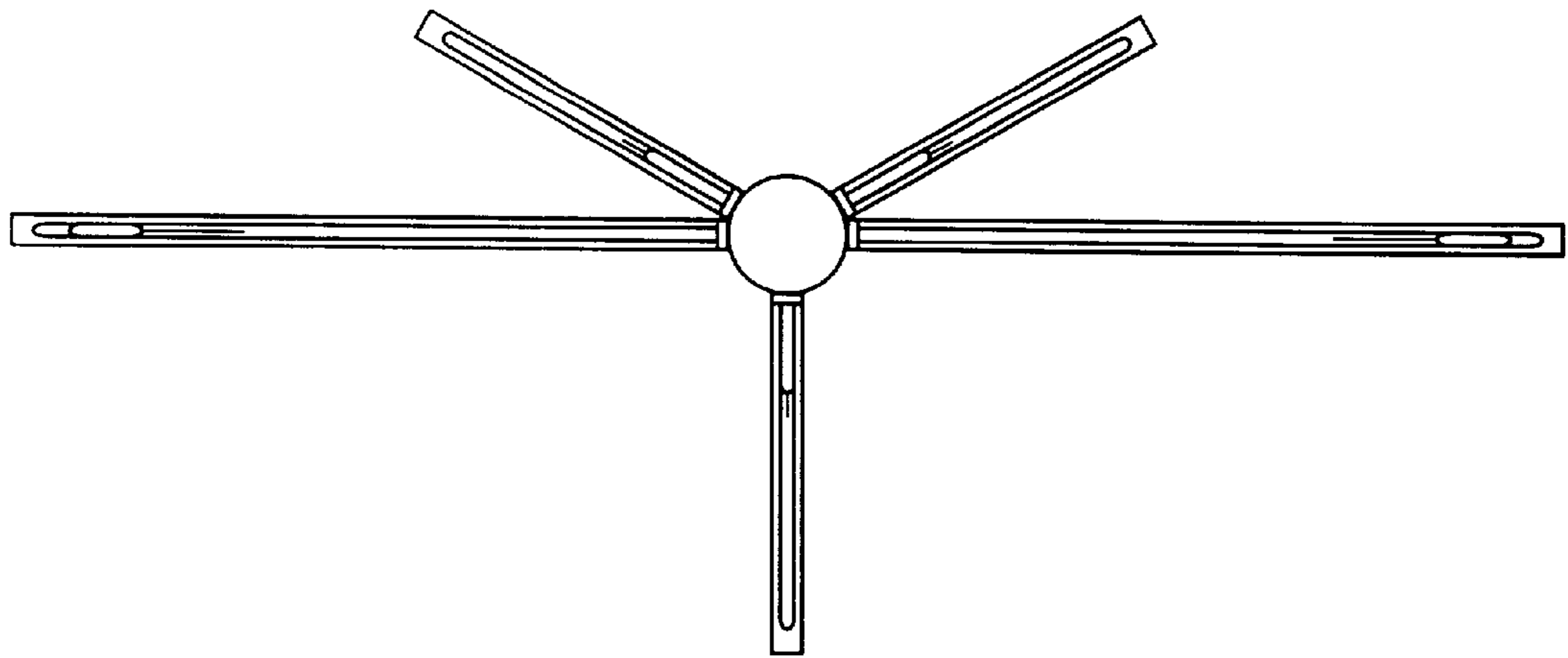


FIG. 4

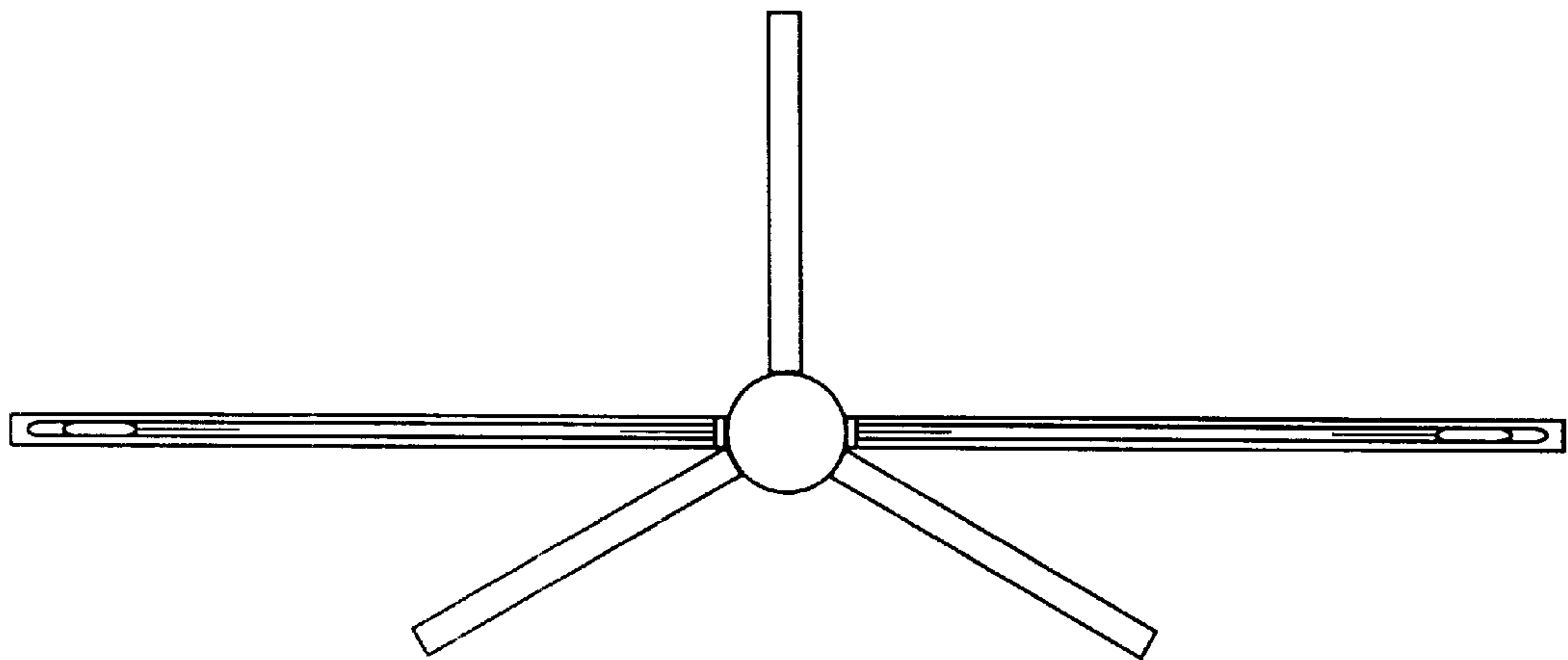


FIG. 5



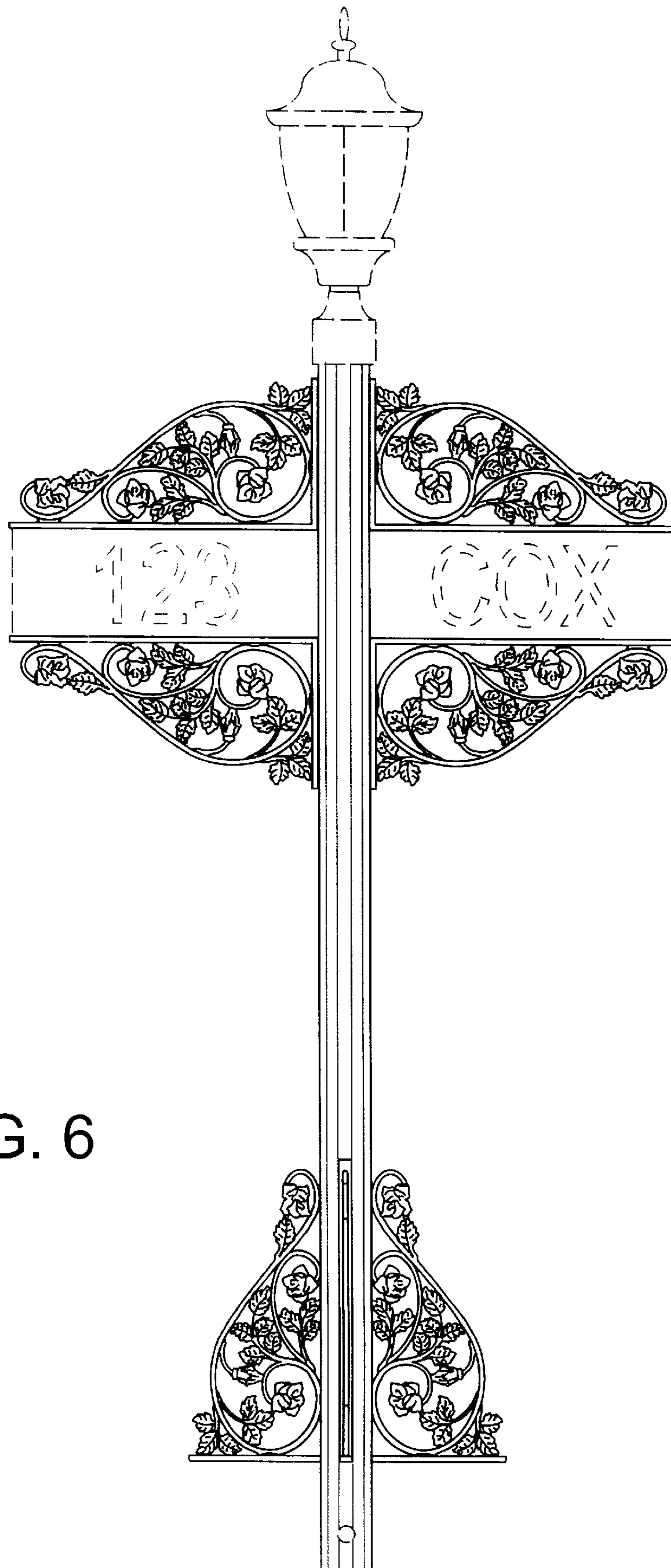


FIG. 6

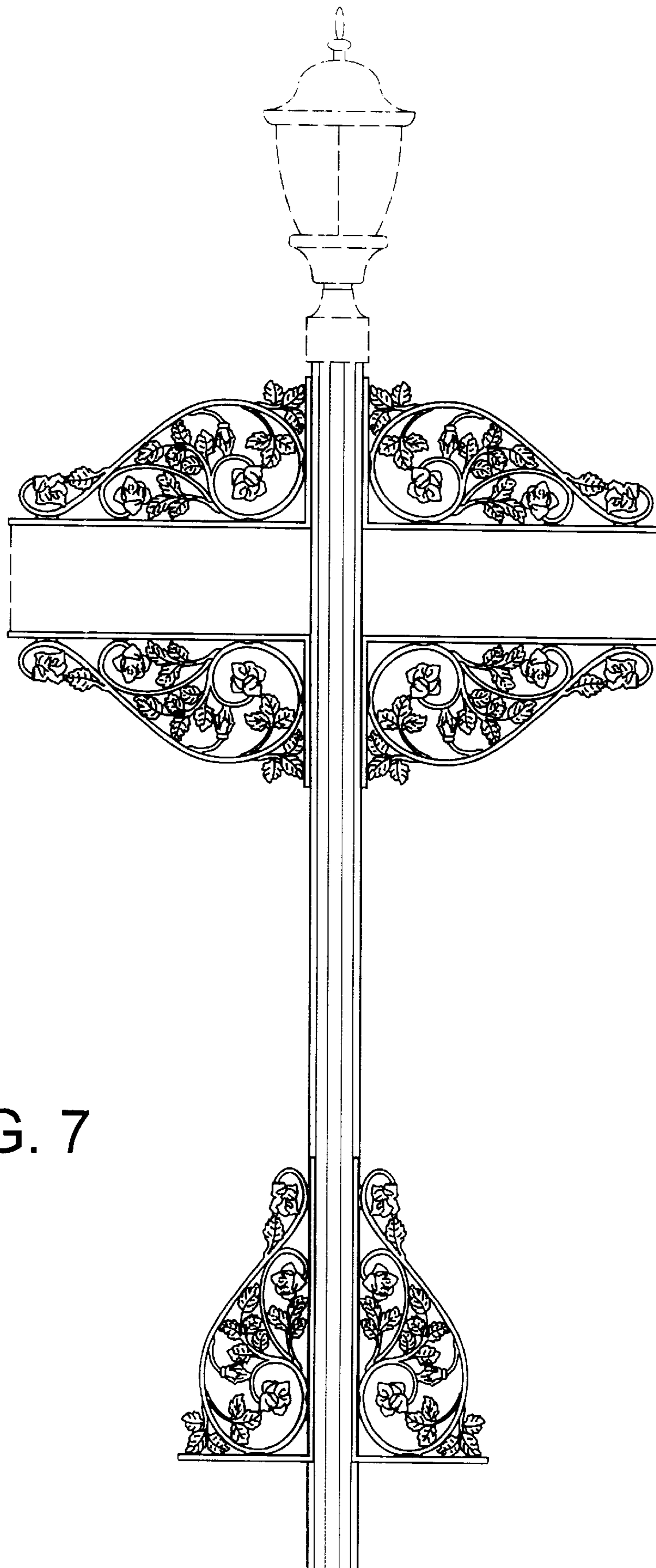


FIG. 7

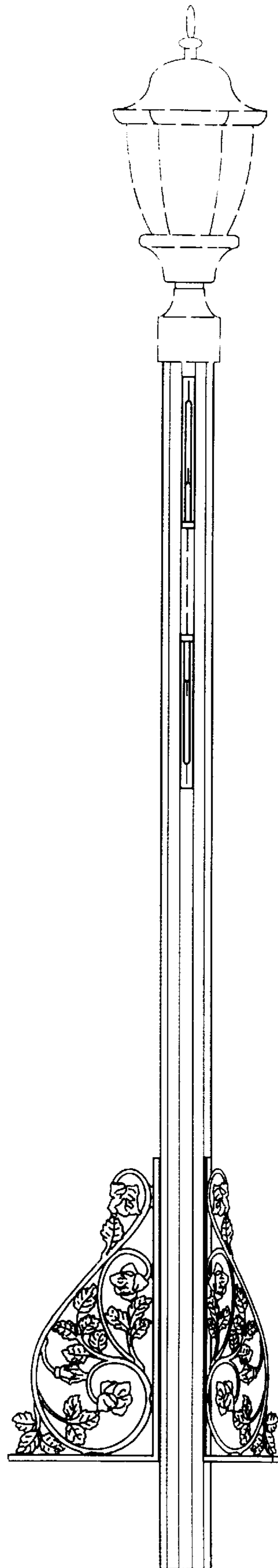


FIG. 8



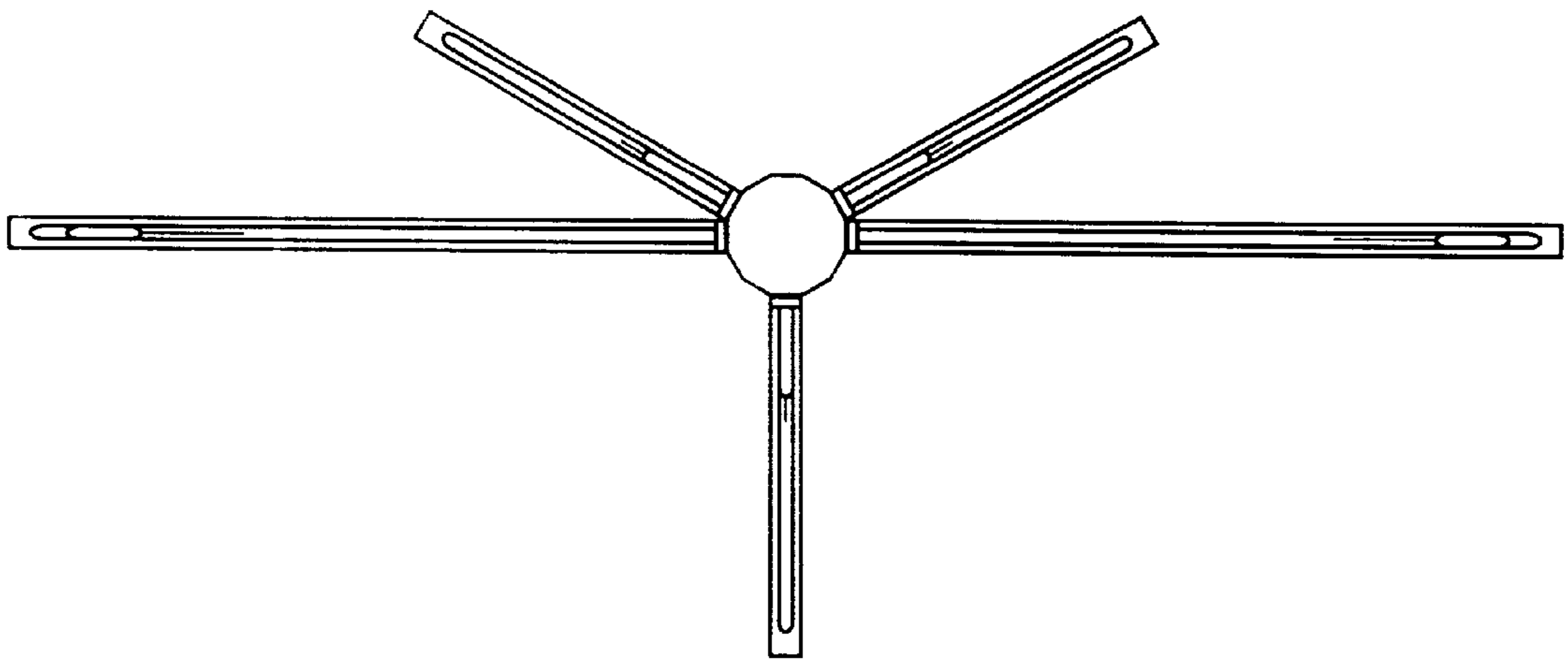


FIG. 9

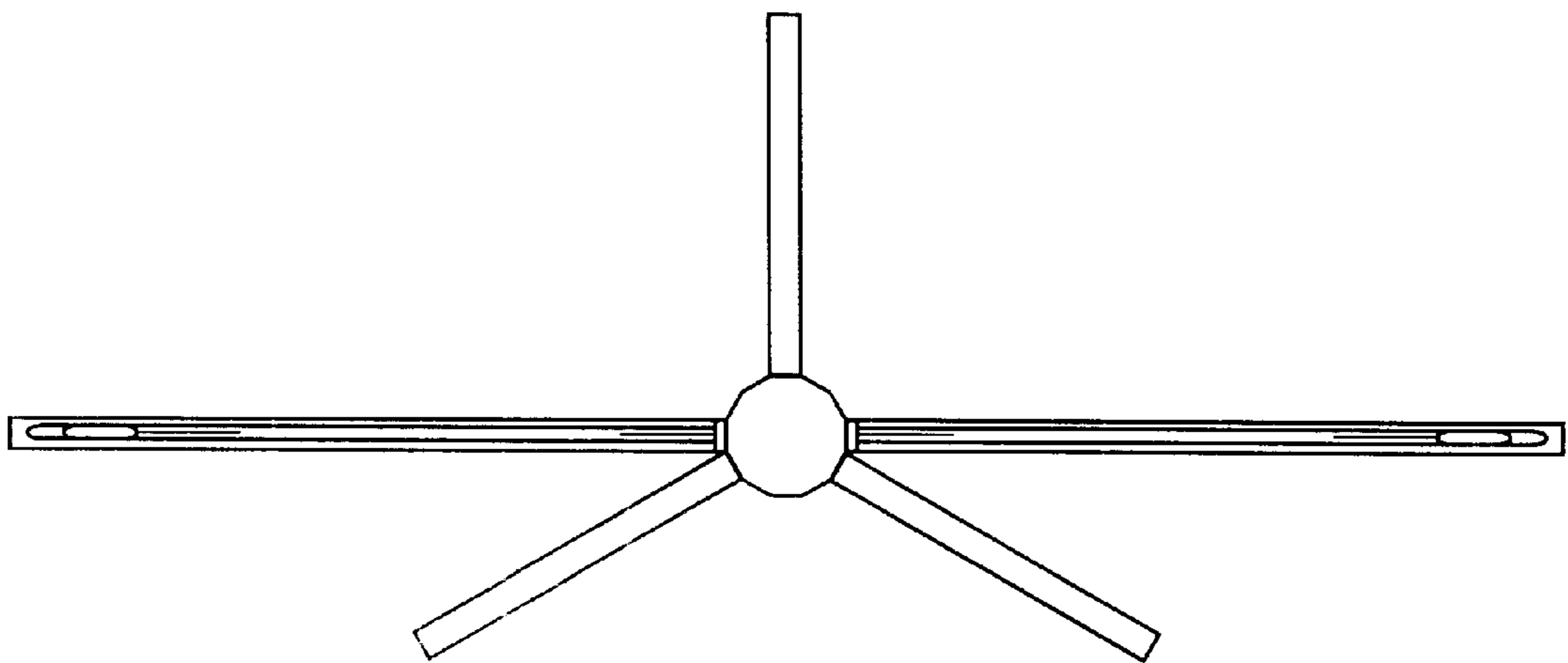


FIG. 10

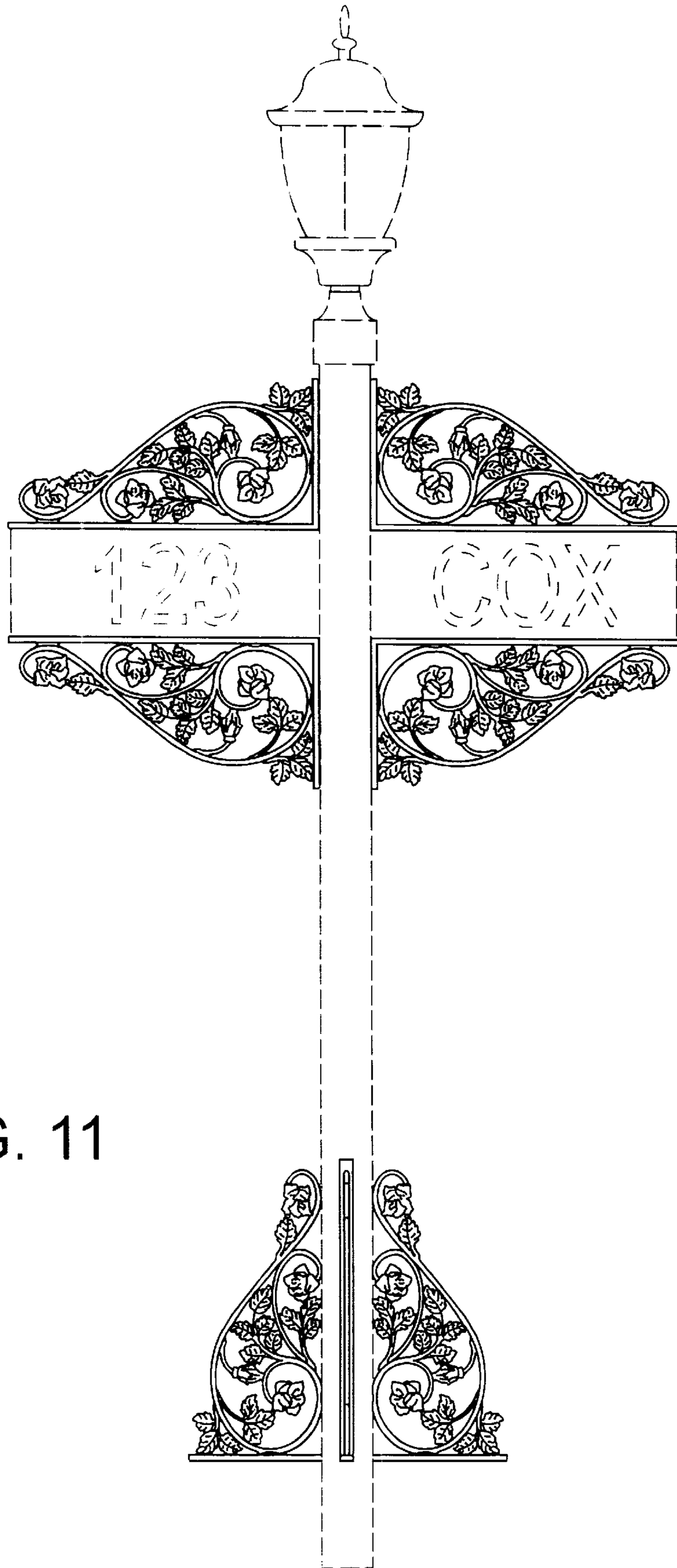


FIG. 11