



US00D460568S

(12) **United States Design Patent**
Messier

(10) **Patent No.:** **US D460,568 S**

(45) **Date of Patent:** **** Jul. 16, 2002**

(54) **WINDOW INSULATING SPACER**

D447,820 S * 9/2001 Grace D25/119

(75) Inventor: **Daniel Messier**, Montreal (CA)

* cited by examiner

(73) Assignee: **Manufacture Industrielle Inc.**, Québec (CA)

Primary Examiner—Stella Reid

(74) *Attorney, Agent, or Firm*—Swabey Ogilvy Renault; Guy J. Houle

(**) Term: **14 Years**

(57) **CLAIM**

(21) Appl. No.: **29/143,950**

The ornamental design for a window insulating spacer, as shown and described.

(22) Filed: **Jun. 25, 2001**

(51) **LOC (7) Cl.** **25-01**

(52) **U.S. Cl.** **D25/122**

(58) **Field of Search** D25/122; 49/501, 49/504, DIG. 2

DESCRIPTION

FIG. 1 is a perspective view of the window insulating spacer;

FIG. 2 is an end elevational view showing the configuration of the top wall;

FIG. 3 is a side view of the window insulating spacer;

FIG. 4 is a top view thereof; and,

FIG. 5 is a bottom view thereof.

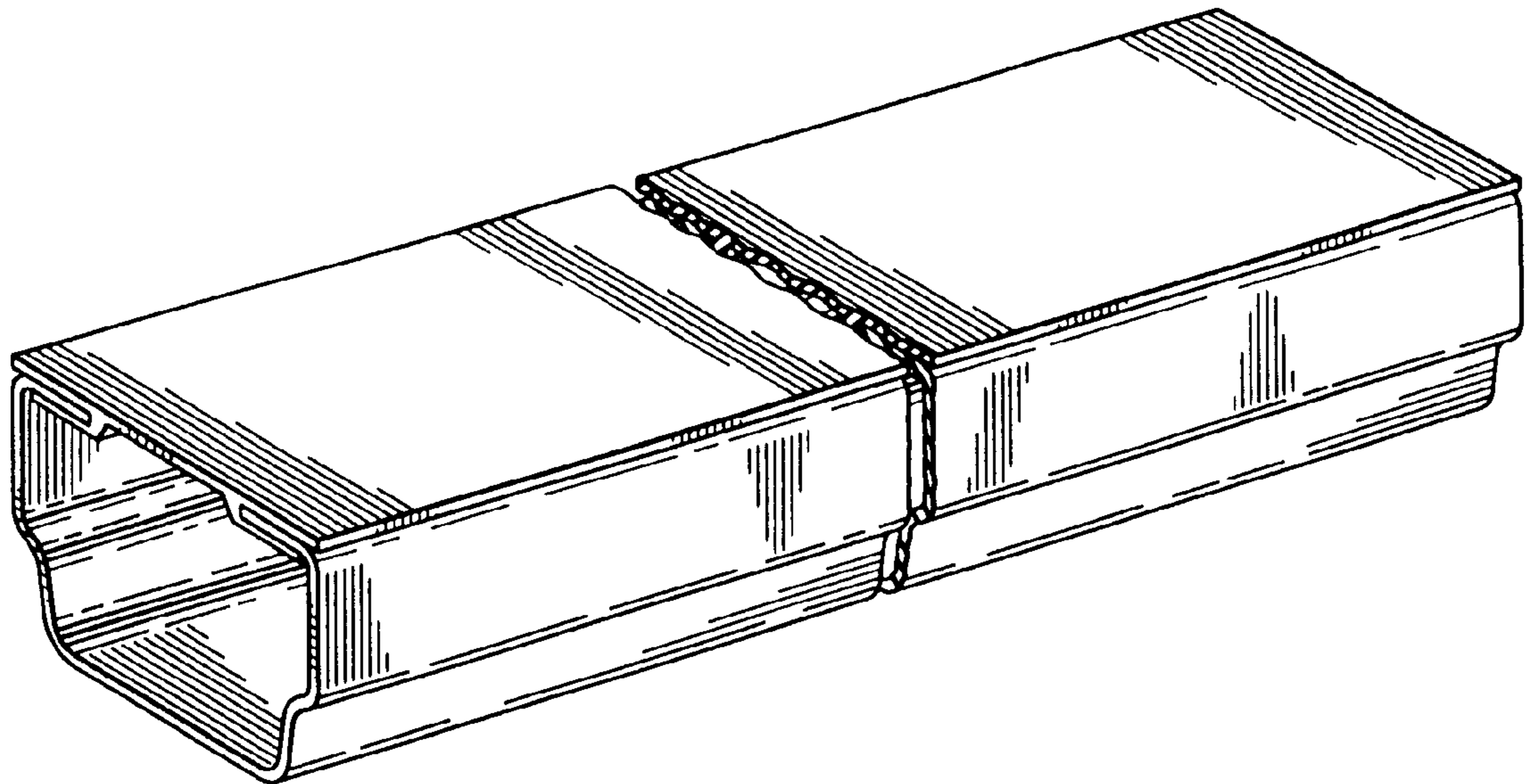
The article has been shown broken away to show indeterminate length.

(56) **References Cited**

U.S. PATENT DOCUMENTS

D325,981 S	*	5/1992	Valentin	D25/119
D345,427 S	*	3/1994	Moss et al.	D25/119
D376,855 S	*	12/1996	Leung	D25/124
D407,831 S	*	4/1999	Gifford	D25/136
D420,149 S	*	2/2000	Hersh et al.	D25/119

1 Claim, 1 Drawing Sheet



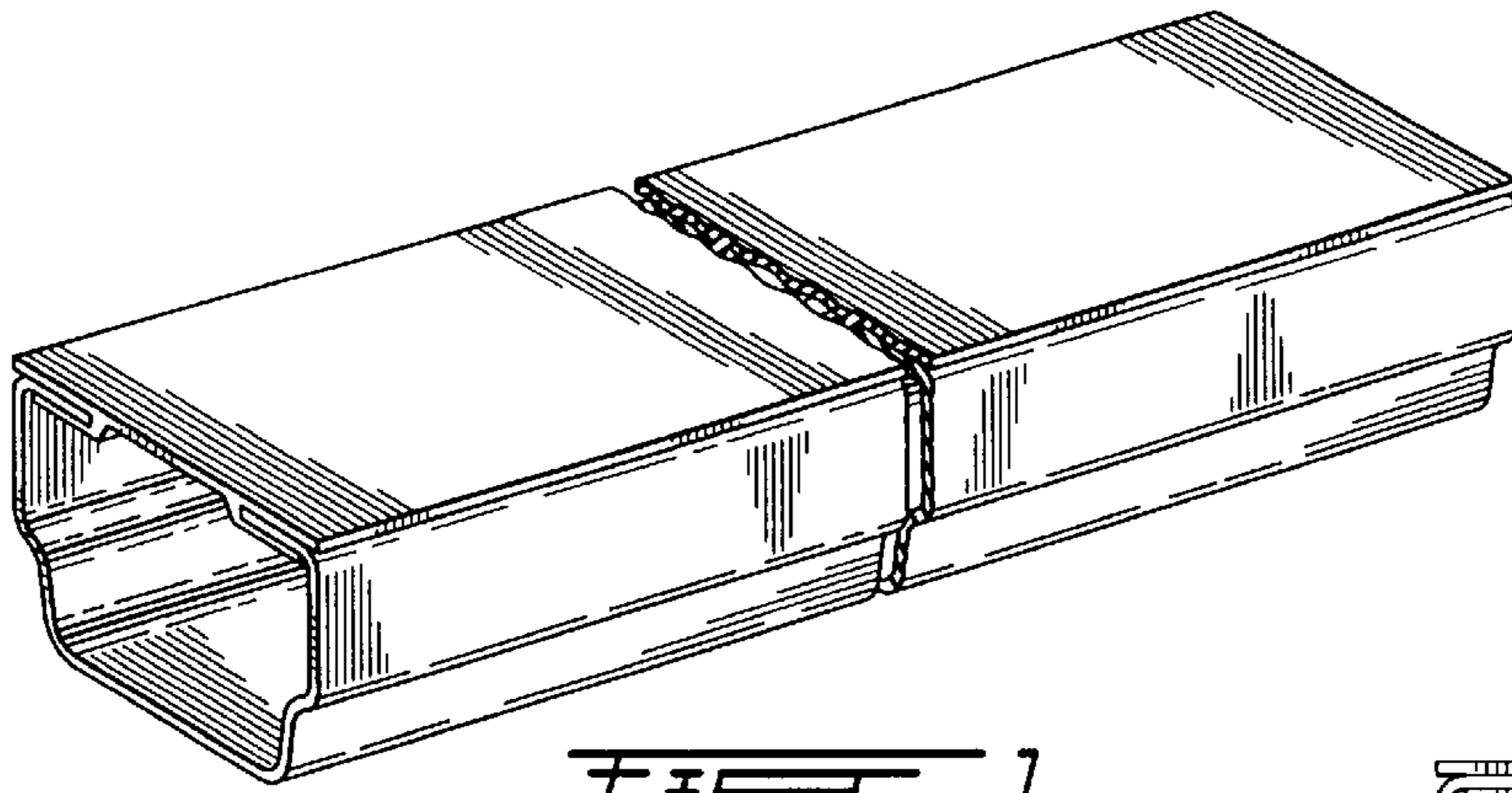


FIG. 1

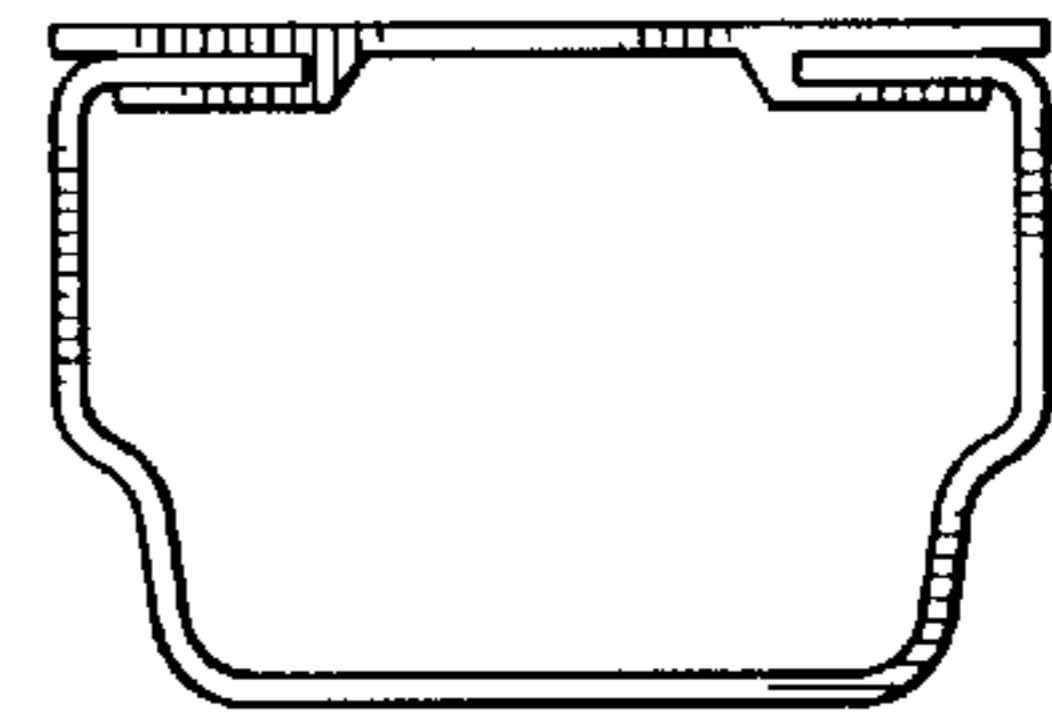


FIG. 2

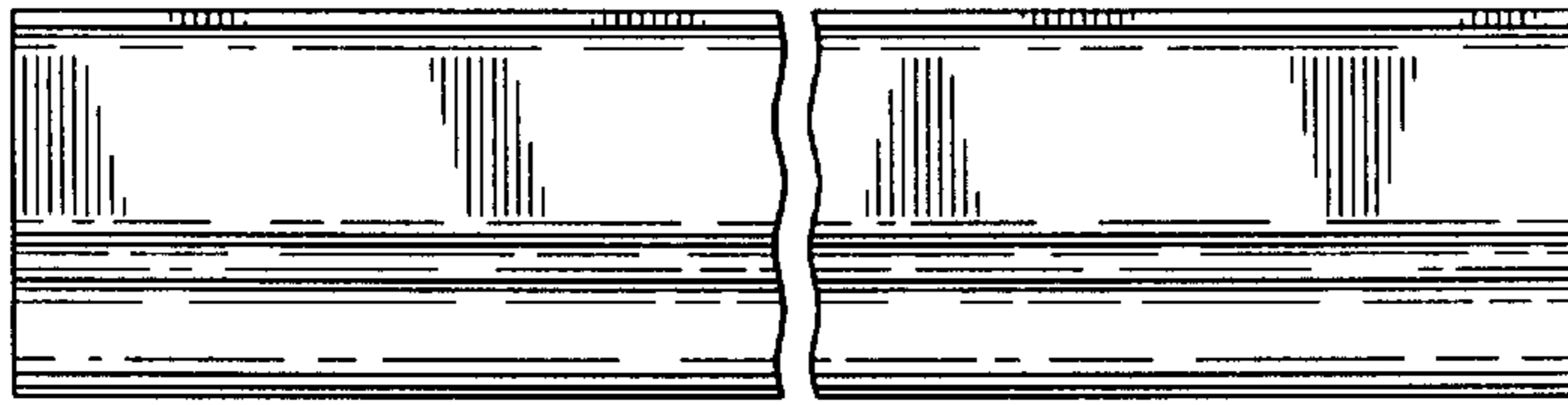


FIG. 3

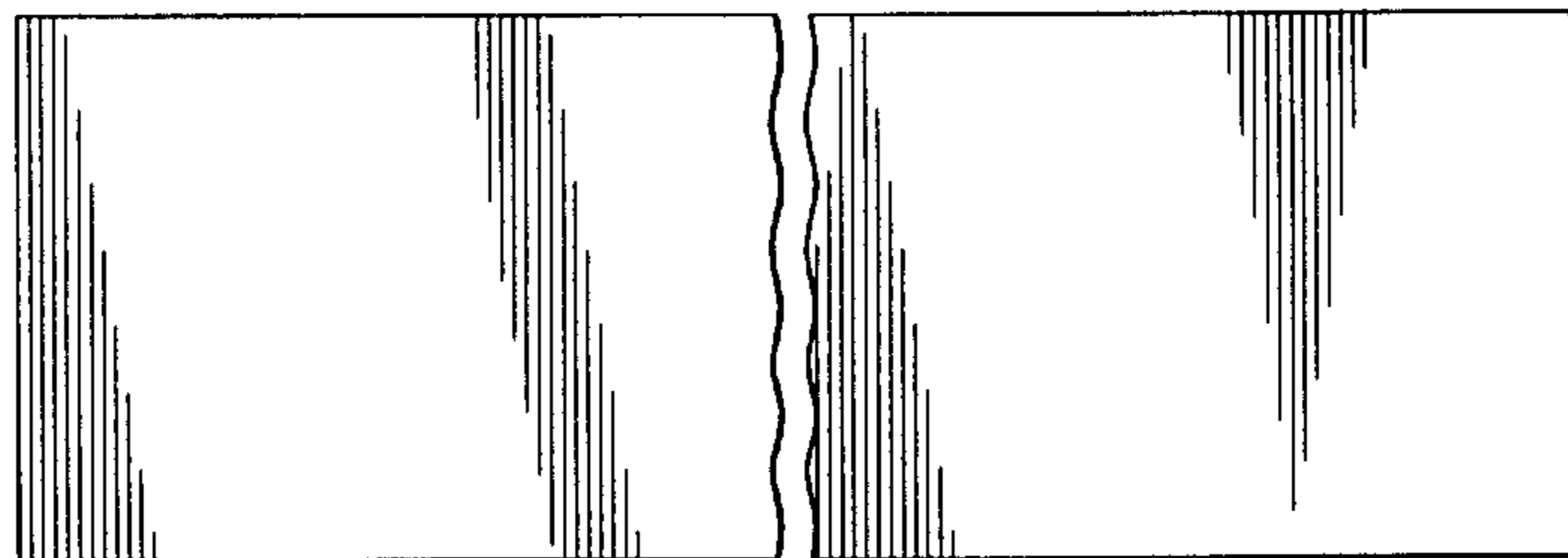


FIG. 4

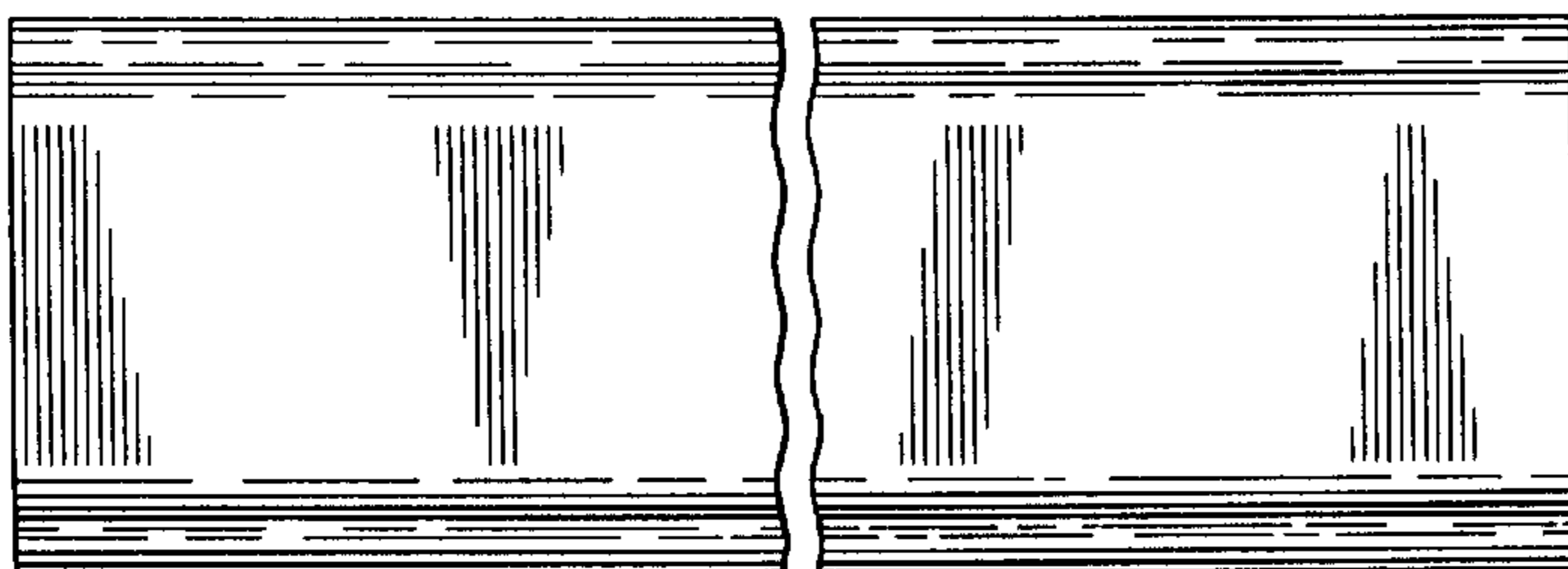


FIG. 5