



US00D460565S

(12) **United States Design Patent**  
**Darracott**

(10) **Patent No.:** **US D460,565 S**

(45) **Date of Patent:** **\*\* Jul. 16, 2002**

(54) **TRUSS**

3,375,632 A \* 4/1968 Congy ..... 52/637  
D402,042 S \* 12/1998 Fisher ..... D25/61

(75) **Inventor:** **Neil Howard Darracott, Rugby (GB)**

\* cited by examiner

(73) **Assignee:** **Total Fabrications Limited,**  
**Birmingham (GB)**

(\*\*) **Term:** **14 Years**

*Primary Examiner*—Doris Clark

(74) *Attorney, Agent, or Firm*—Marshall, Gerstein, &  
Borun.

(21) **Appl. No.:** **29/138,337**

(22) **Filed:** **Mar. 9, 2001**

(57) **CLAIM**

The ornamental design for a truss, as shown and described.

(30) **Foreign Application Priority Data**

Sep. 9, 2000 (GB) ..... 2095671

**DESCRIPTION**

(51) **LOC (7) Cl.** ..... **25-02**

(52) **U.S. Cl.** ..... **D25/61**

(58) **Field of Search** ..... D25/126, 61; 182/128,  
182/152, 187; 52/633, 634, 636, 638, 690,  
691, 692, 693, 695, 696, 637, 639, 643,  
649.2, 650.1, 650.2, 651.1, 653.1, 694,  
697

FIG. 1 is a perspective view of a truss showing my new design;

FIG. 2 is an end view thereof;

FIG. 3 is a right side elevational view thereof, the opposite left side elevational view being a mirror image; and,

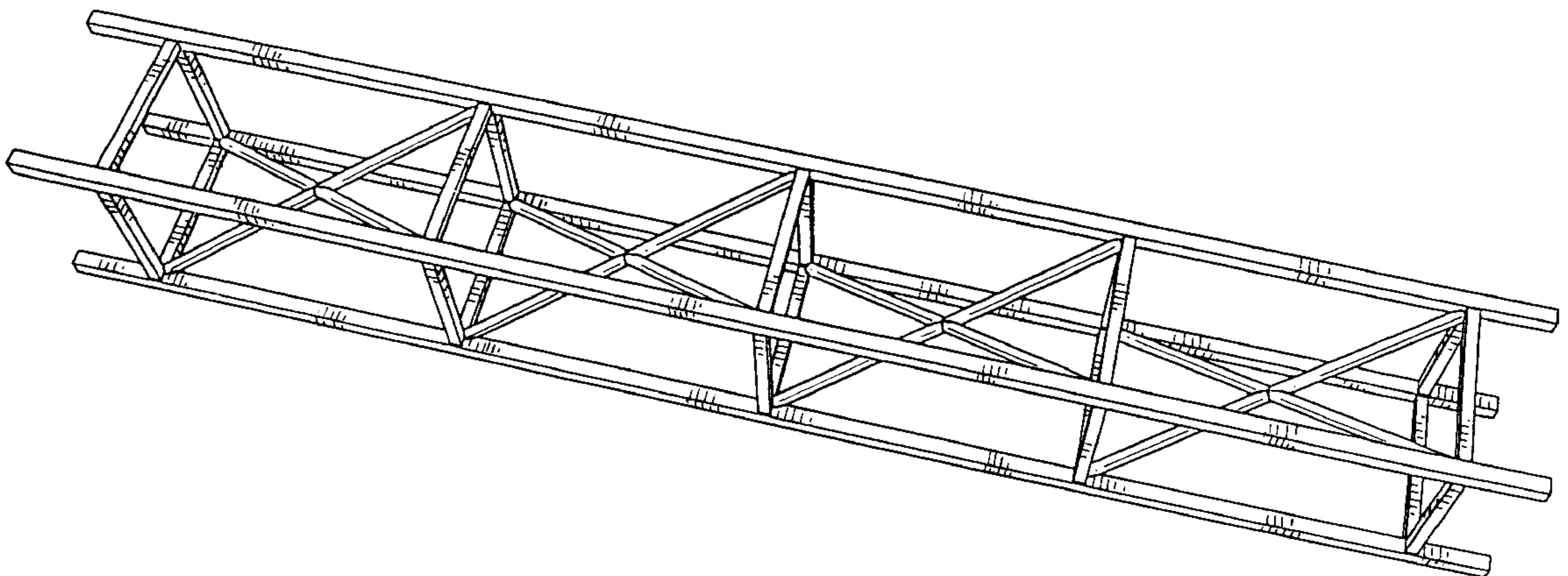
FIG. 4 is a plan view thereof.

(56) **References Cited**

**U.S. PATENT DOCUMENTS**

1,235,332 A \* 7/1917 Lachman ..... 52/648.1

**1 Claim, 2 Drawing Sheets**



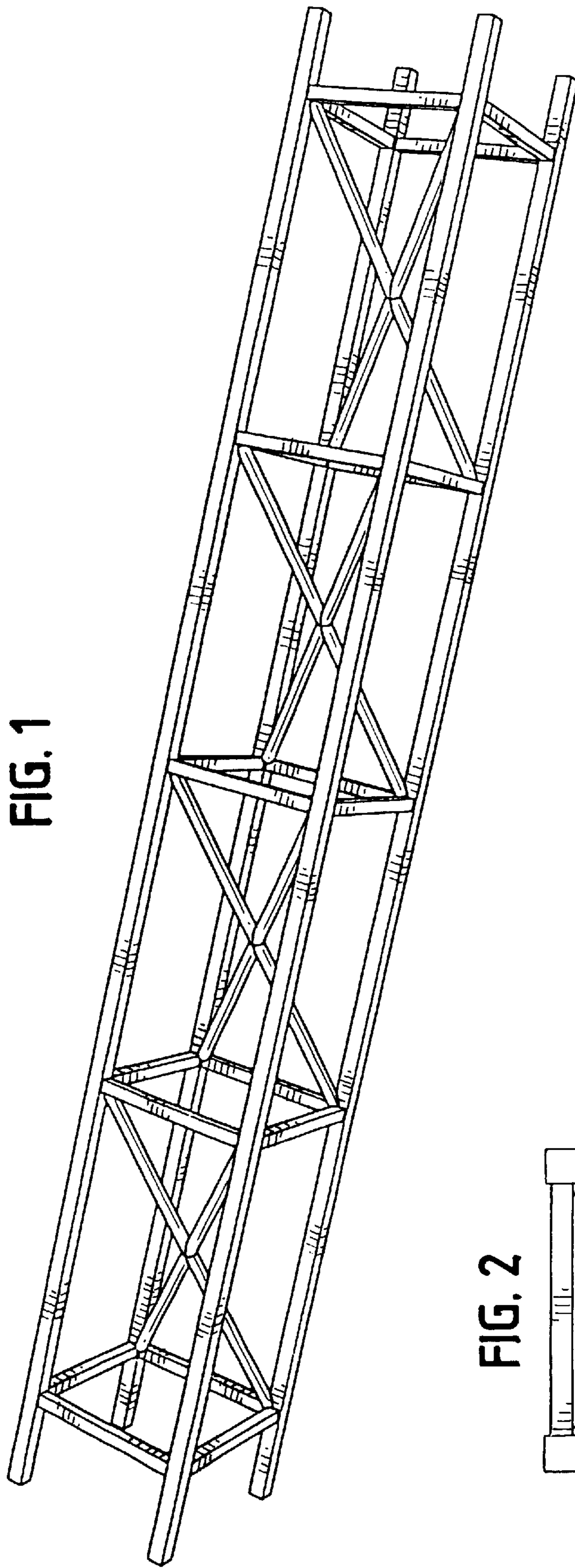


FIG. 1

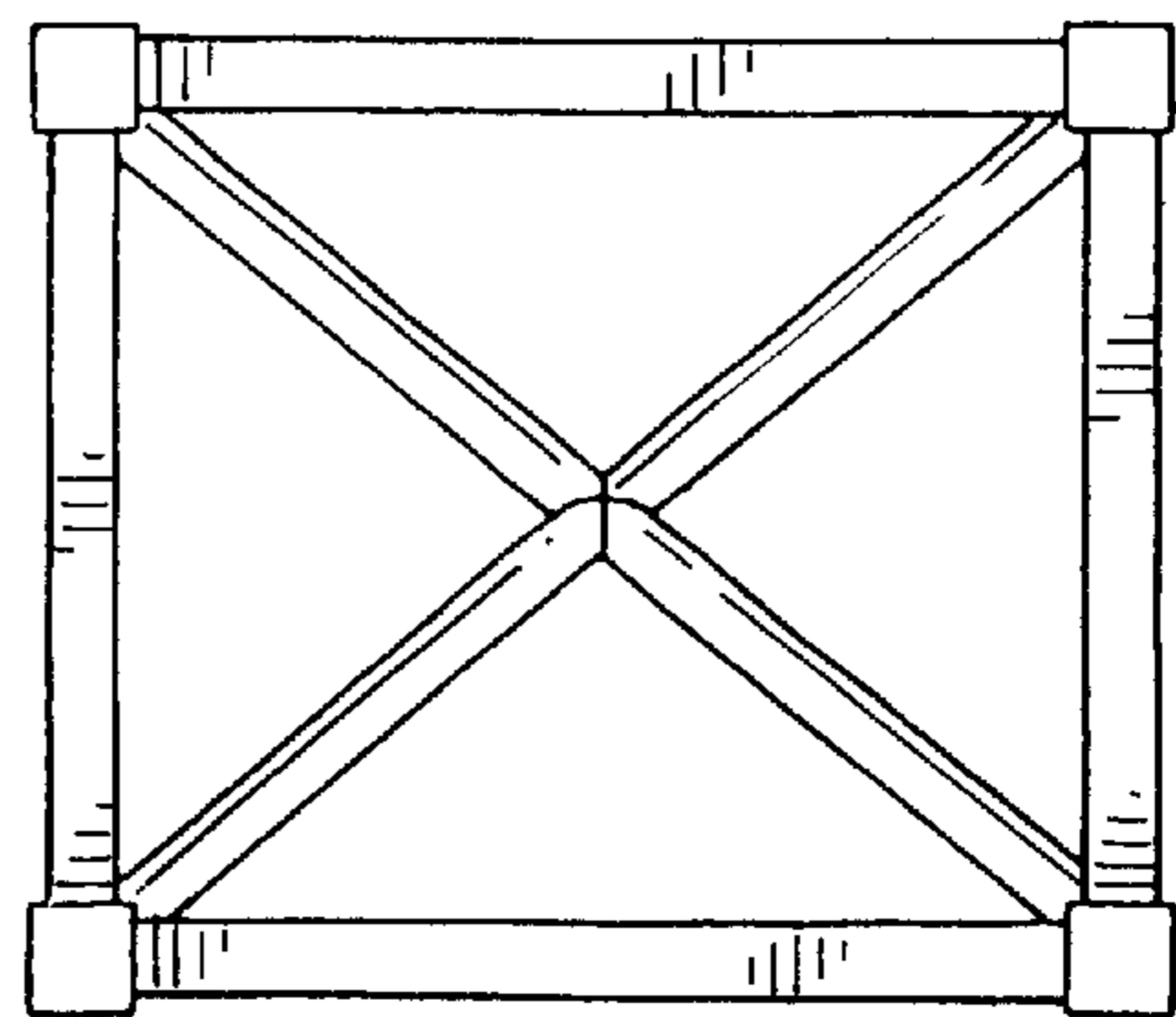


FIG. 2

FIG. 3

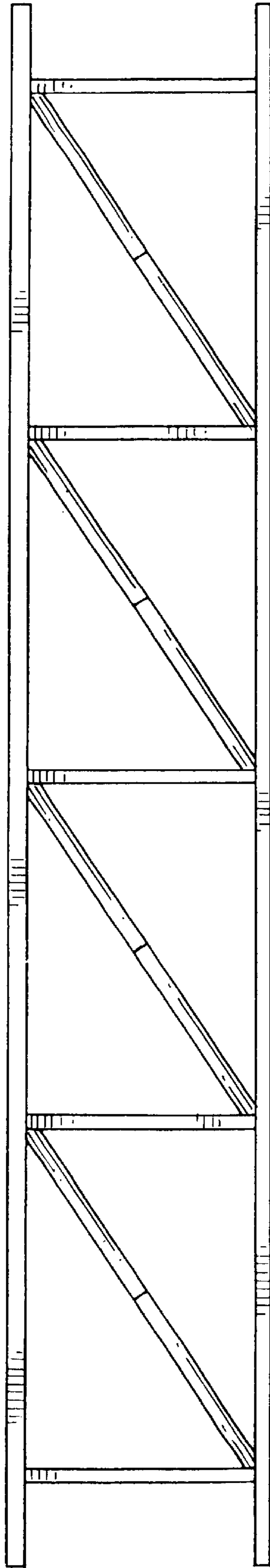


FIG. 4

