



US00D460559S

(12) **United States Design Patent**
Knieriem et al.

(10) **Patent No.:** **US D460,559 S**

(45) **Date of Patent:** **** Jul. 16, 2002**

(54) **VITAL SIGNS MONITOR**

(75) Inventors: **Alan Scott Knieriem**, Baldwinsville;
Thaddeus Jerome Wawro; **Anthony Paul Wagner**, both of Auburn; **Devin Glenn Cooper**, Fairport; **Joshua Lyle Page**, Rochester, all of NY (US)

(73) Assignee: **Welch Allyn, Inc.**, Skaneateles Falls, NY (US)

(**) Term: **14 Years**

(21) Appl. No.: **29/139,478**

(22) Filed: **Mar. 29, 2001**

(51) **LOC (7) Cl.** **24-01**

(52) **U.S. Cl.** **D24/186**

(58) **Field of Search** D24/186; 600/391,
600/393, 345, 481, 484, 513, 519, 528,
532, 536, 538, 549

(56) **References Cited**

U.S. PATENT DOCUMENTS

D238,905 S	*	2/1976	Sokol	D24/186
D299,861 S	*	2/1989	Hunsdale et al.	D24/186
4,981,139 A	*	1/1991	Pfohl	600/484
D323,894 S	*	2/1992	Rosati et al.	D24/186
D392,043 S	*	3/1998	Cooper et al.	D24/186

5,724,025 A	*	3/1998	Tavori	340/573
D395,513 S	*	6/1998	Rogler	D24/186
D414,870 S	*	10/1999	Saltzstein et al.	D24/186
6,093,151 A	*	7/2000	Shine et al.	600/485

* cited by examiner

Primary Examiner—Stella Reid

(74) *Attorney, Agent, or Firm*—Wall, Marjama & Bilinski, LLP

(57) **CLAIM**

The ornamental design for a vital signs monitor, as shown and described.

DESCRIPTION

FIG. 1 is a front perspective view of the vital signs monitor, illustrating my new Design;

FIG. 2 is a front view of the vital signs monitor;

FIG. 3 is a left side elevational view of the vital signs monitor;

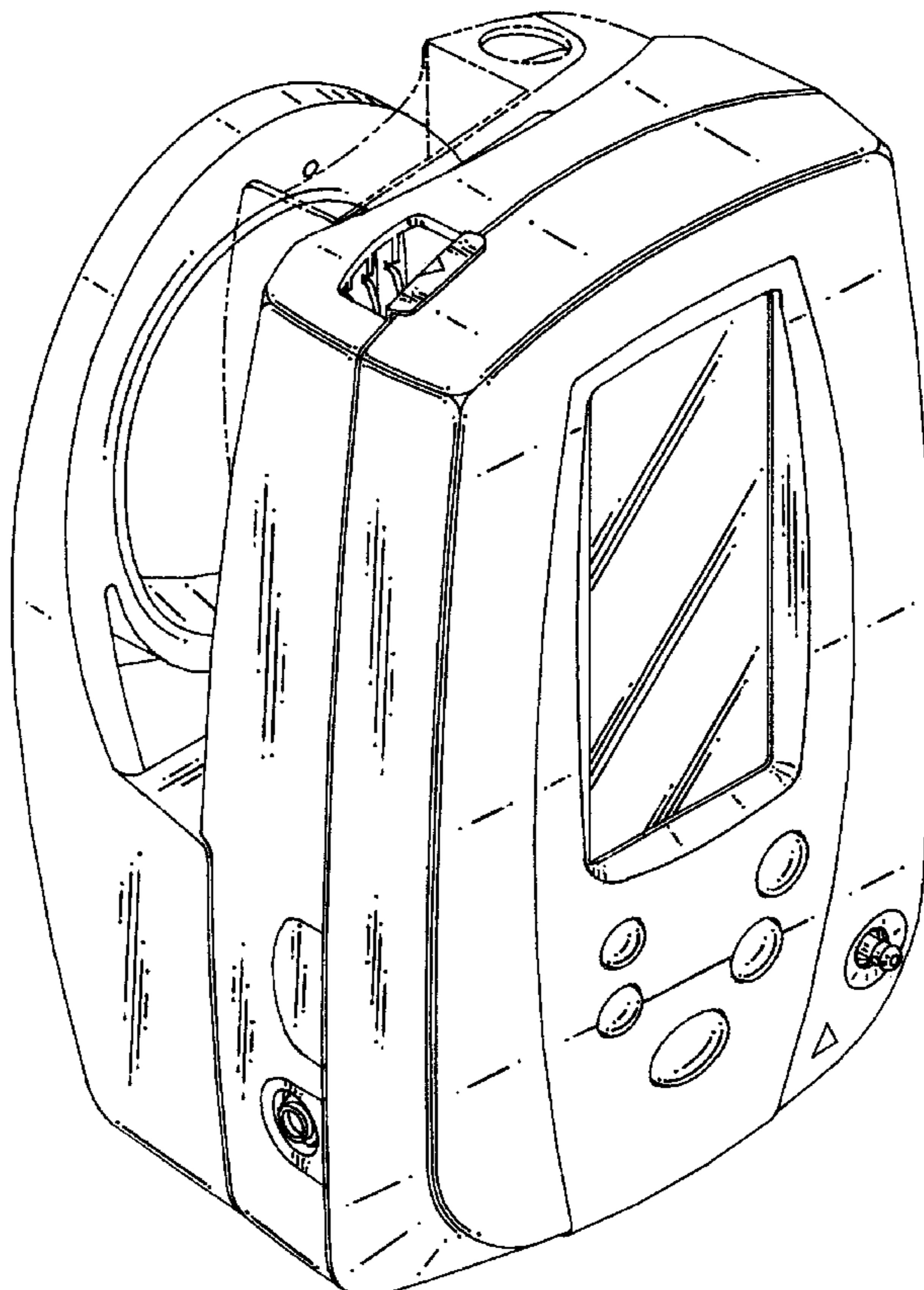
FIG. 4 is a rear view of the vital signs monitor;

FIG. 5 is a right side elevational view of the vital signs monitor;

FIG. 6 is a bottom end view of the vital signs monitor; and, FIG. 7 is a top end view of the vital signs monitor.

The broken line showing is for illustrative purposes only and forms no part of the claimed design.

1 Claim, 4 Drawing Sheets



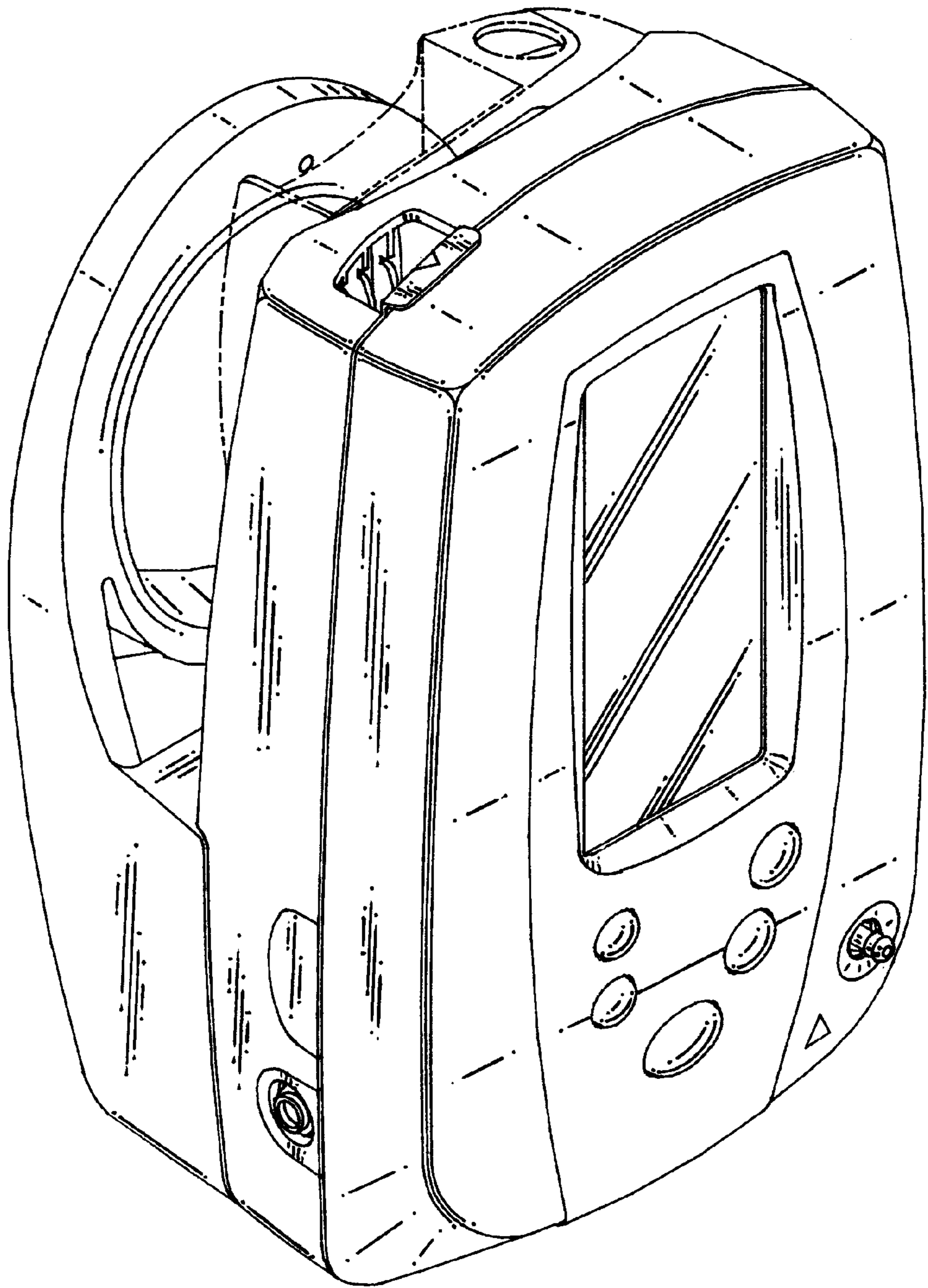


FIG. 1

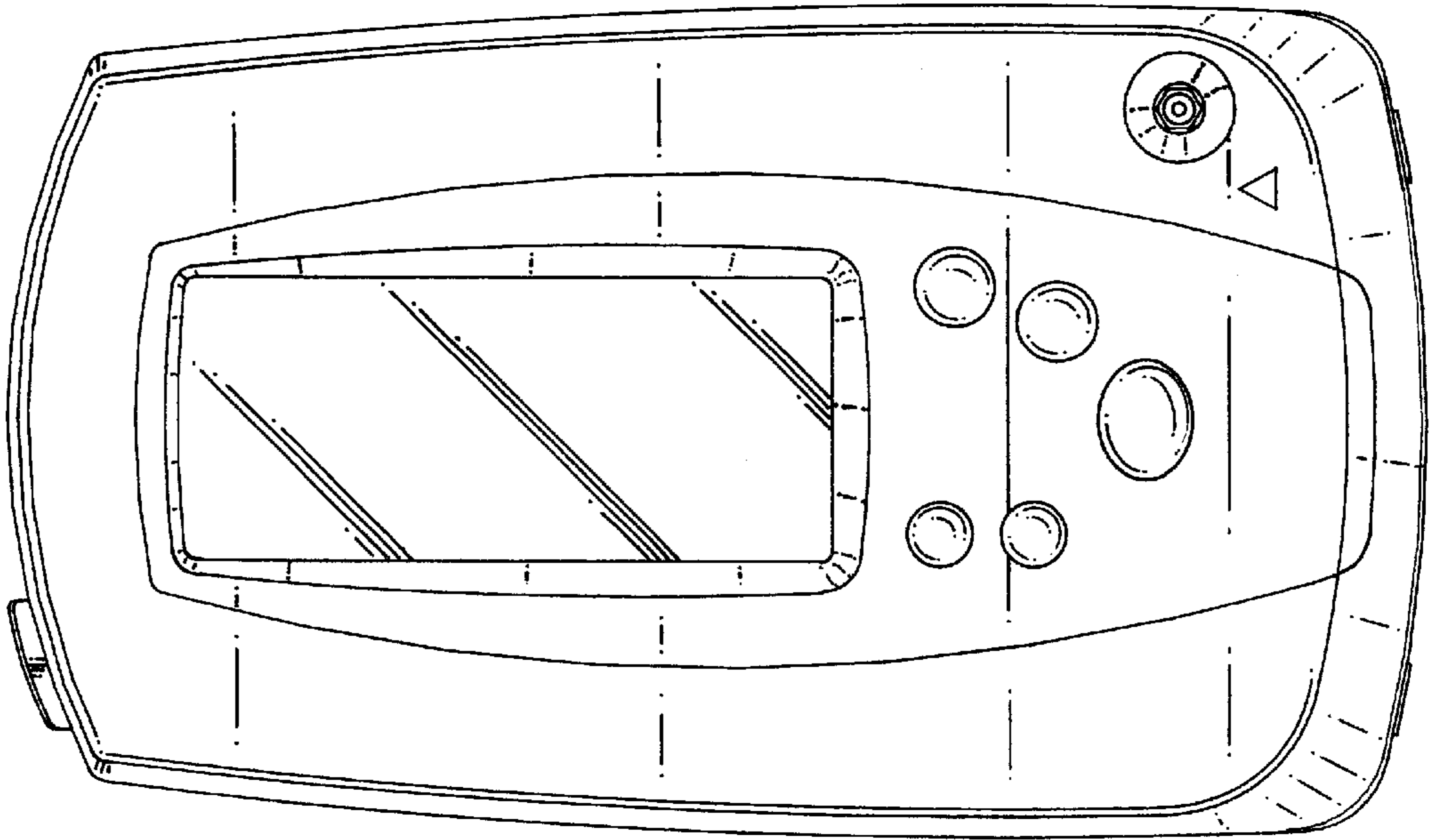


FIG. 2

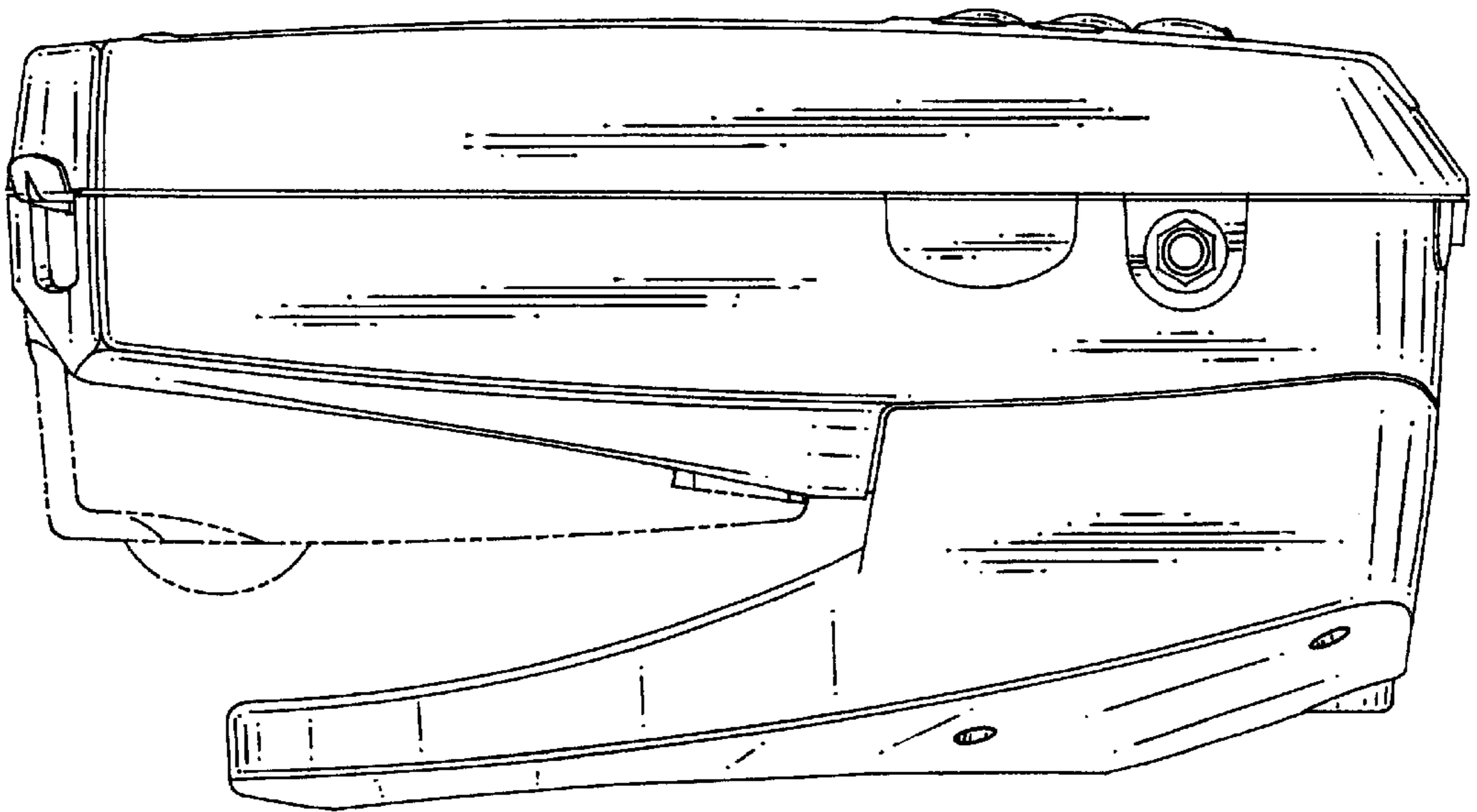


FIG. 3

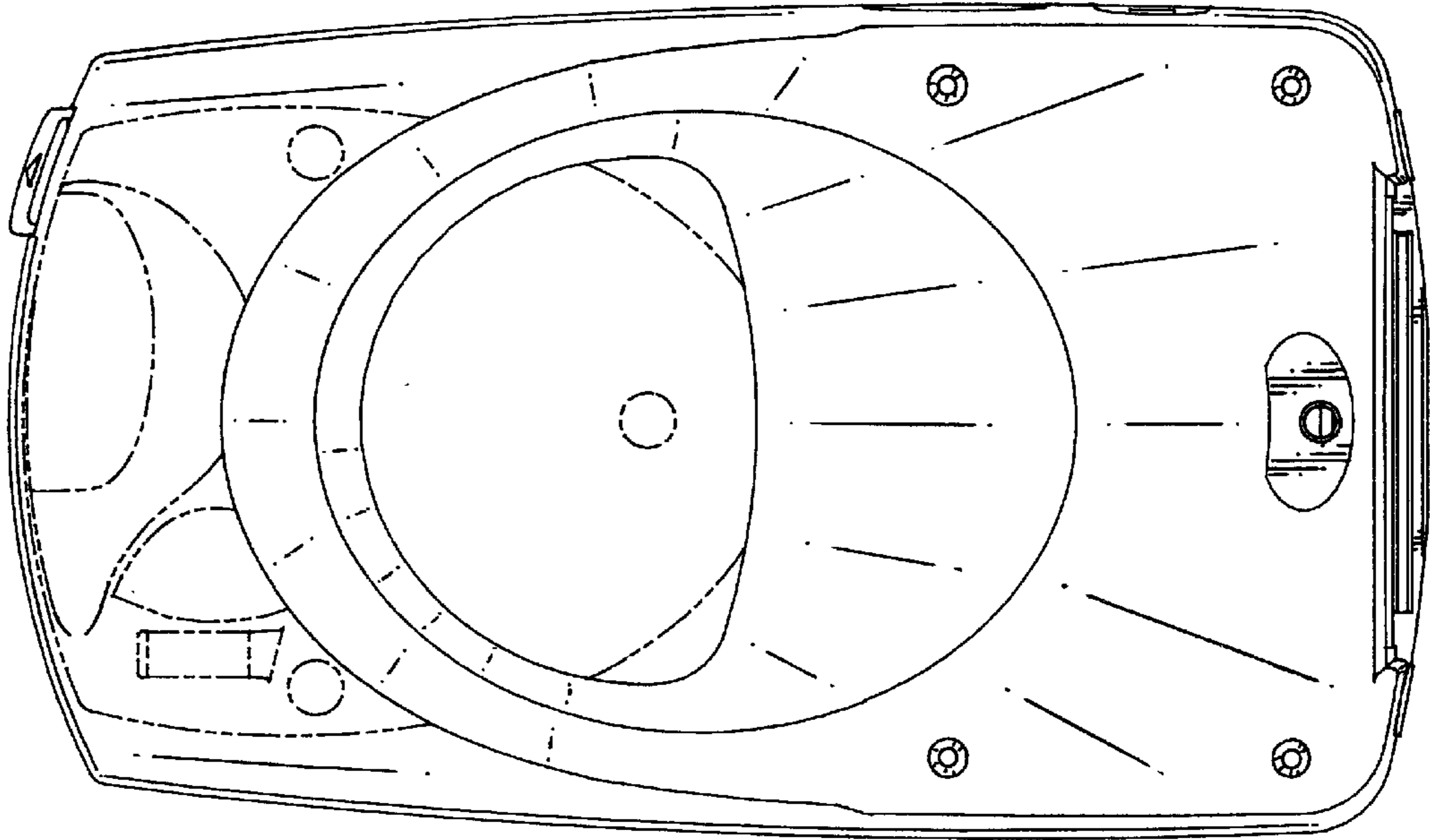


FIG. 4

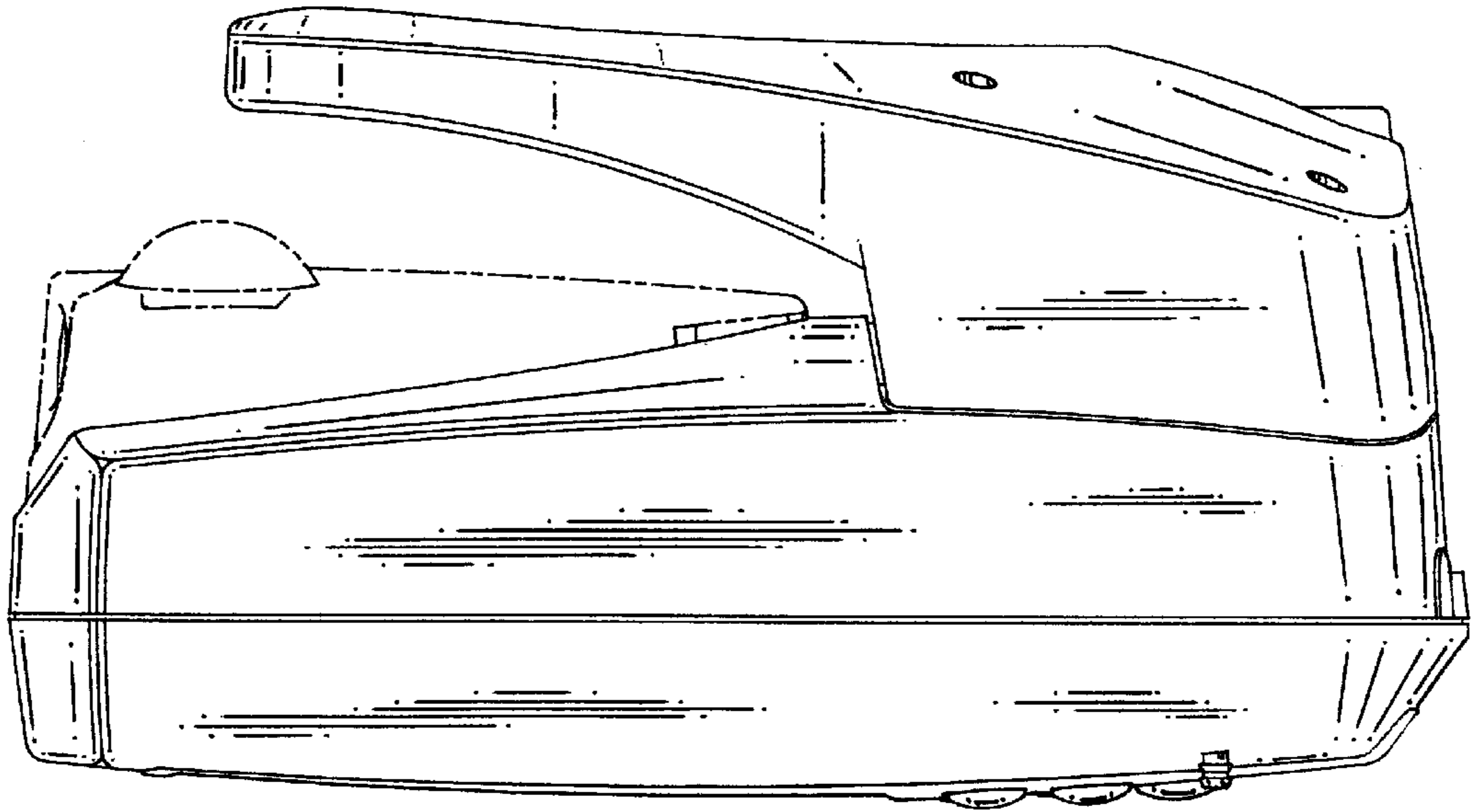


FIG. 5

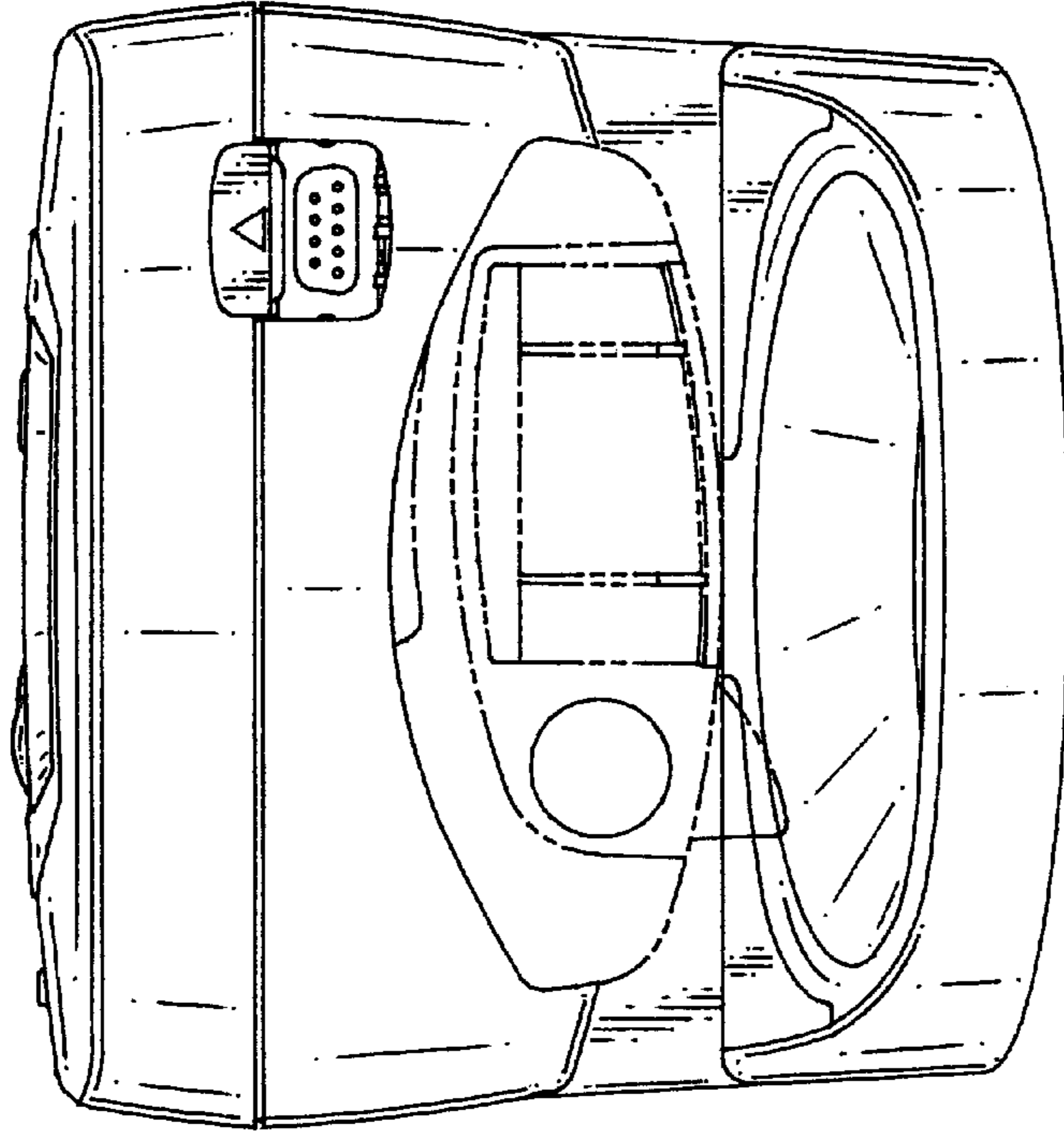


FIG. 7

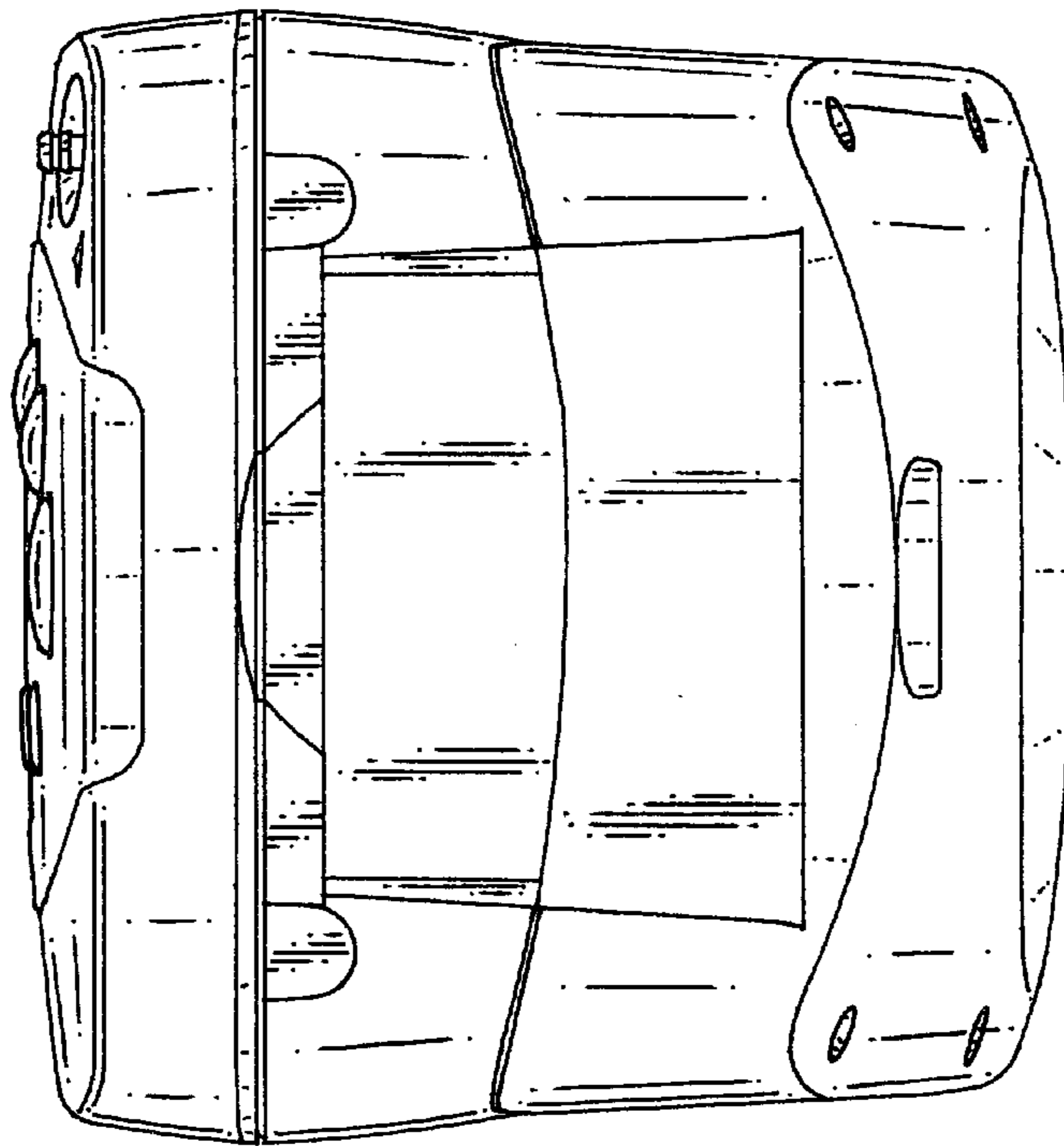


FIG. 6