



US00D460554S

(12) **United States Design Patent**
Park

(10) **Patent No.:** **US D460,554 S**

(45) **Date of Patent:** **** Jul. 16, 2002**

(54) **HARDENED SKIN CARE INSTRUMENT**

(75) Inventor: **Il-Yong Park**, Seoul (KR)

(73) Assignee: **Shinwoo Union Co., Ltd.**, Seoul (KR)

(**) Term: **14 Years**

(21) Appl. No.: **29/151,909**

(22) Filed: **Dec. 14, 2001**

(30) **Foreign Application Priority Data**

Jun. 16, 2001 (KR) 01-16486

(51) **LOC (7) Cl.** **24-02**

(52) **U.S. Cl.** **D24/147; D24/133; D28/59**

(58) **Field of Search** **D28/57, 59, 63; D4/104, 120, 137, 138; D8/90-94, 107, DIG. 4, DIG. 7; D24/147; 132/73.5, 75.6, 76.4, 76.5; 30/26; 451/523-525, 534; 606/131**

(56) **References Cited**

U.S. PATENT DOCUMENTS

- 1,586,441 A * 5/1926 Blom 132/76.2
- D92,054 S * 4/1934 Lewis D24/214
- D231,428 S * 4/1974 Scott D8/90 X
- D294,071 S * 2/1988 Lallerstedt D28/59

- D303,920 S * 10/1989 Kandel D8/107 X
- D364,226 S * 11/1995 Hartman D24/147
- D412,764 S * 8/1999 Godbout D28/59
- D419,724 S * 1/2000 Chang D28/59
- D425,307 S * 5/2000 Choi D4/120

* cited by examiner

Primary Examiner—Ted Shooman

Assistant Examiner—C Tuttle

(74) *Attorney, Agent, or Firm*—Greenblum & Bernstein, P.L.C.

(57) **CLAIM**

The ornamental design for a hardened skin care instrument, as shown and described.

DESCRIPTION

FIG. 1 is a front top and right side perspective view of a hardened skin care instrument showing my new design; FIGS. 2 and 3 are, respectively, front and rear elevational views thereof; FIGS. 4 and 5 are, respectively, left and right side elevational views thereof; and, FIGS. 6 and 7 are, respectively, top plan and bottom plan views thereof.

1 Claim, 4 Drawing Sheets

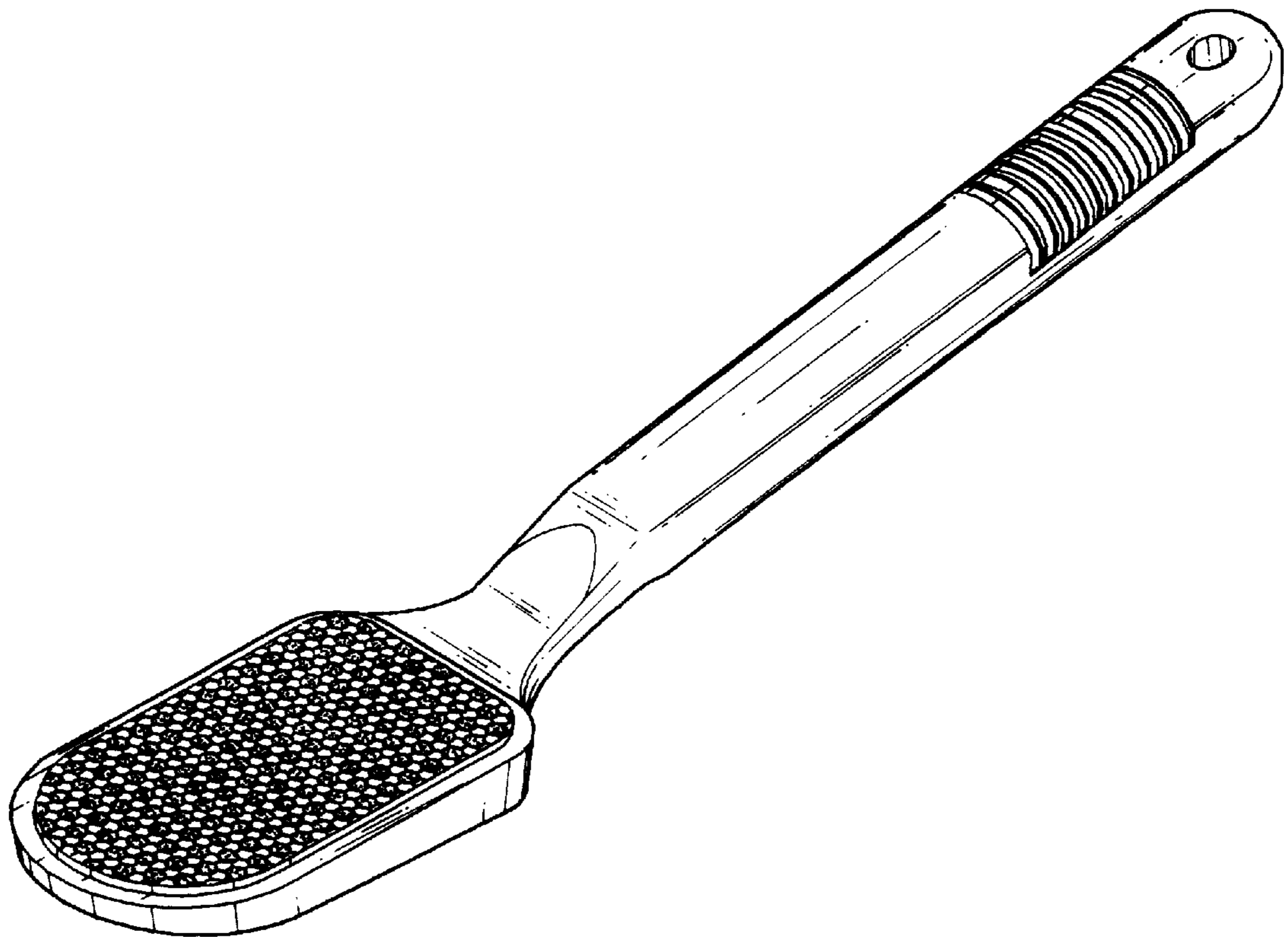


FIG. 1

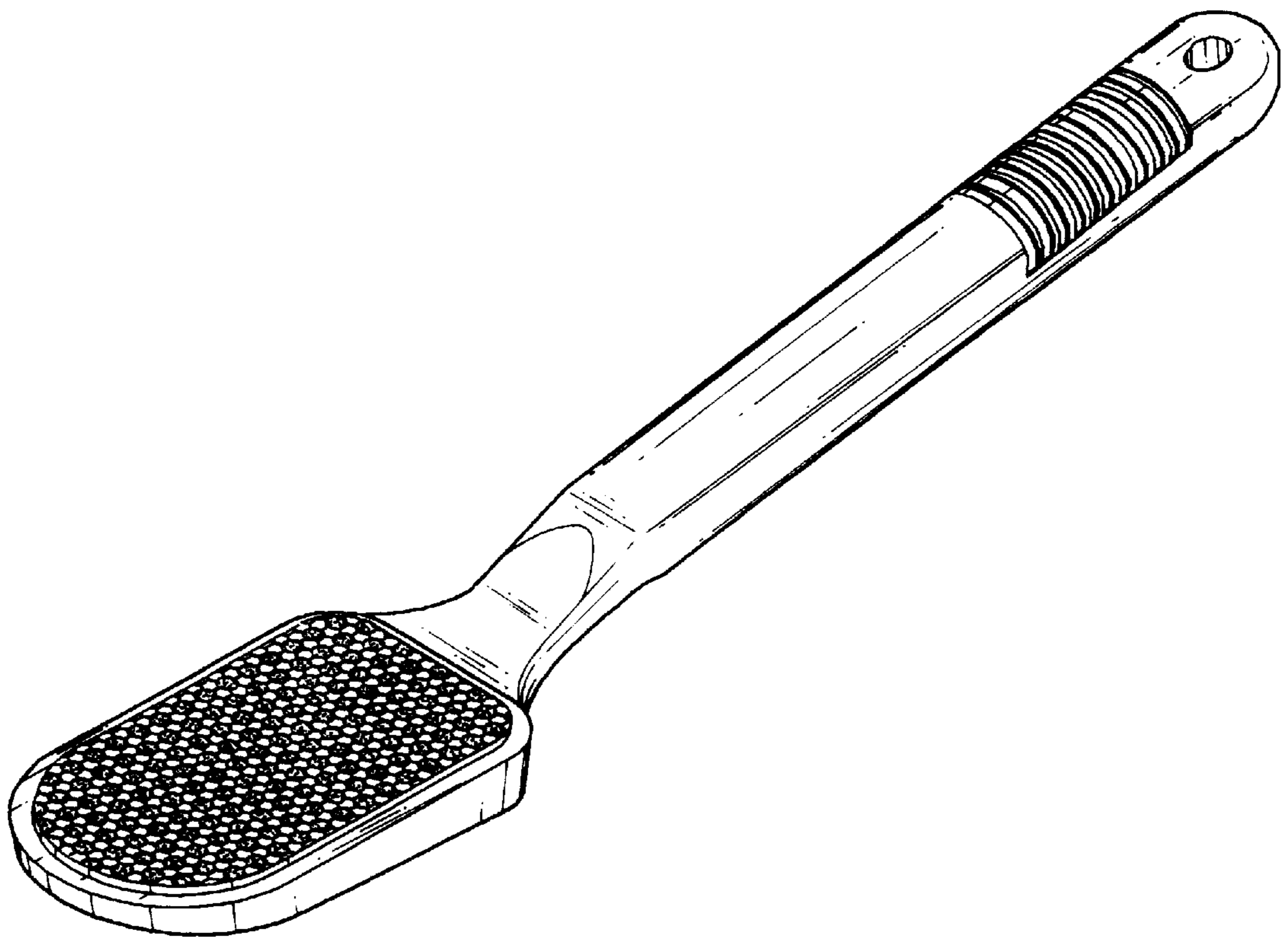


FIG. 2

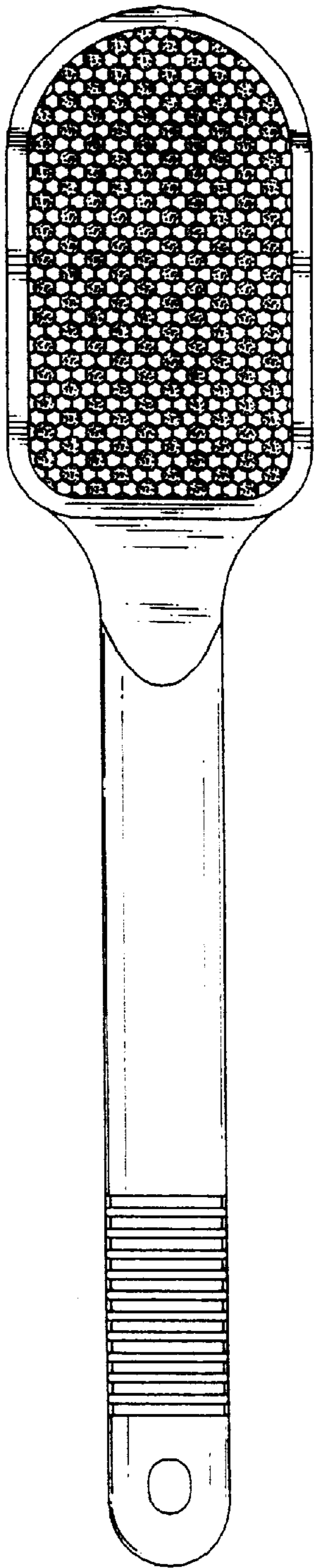


FIG. 3

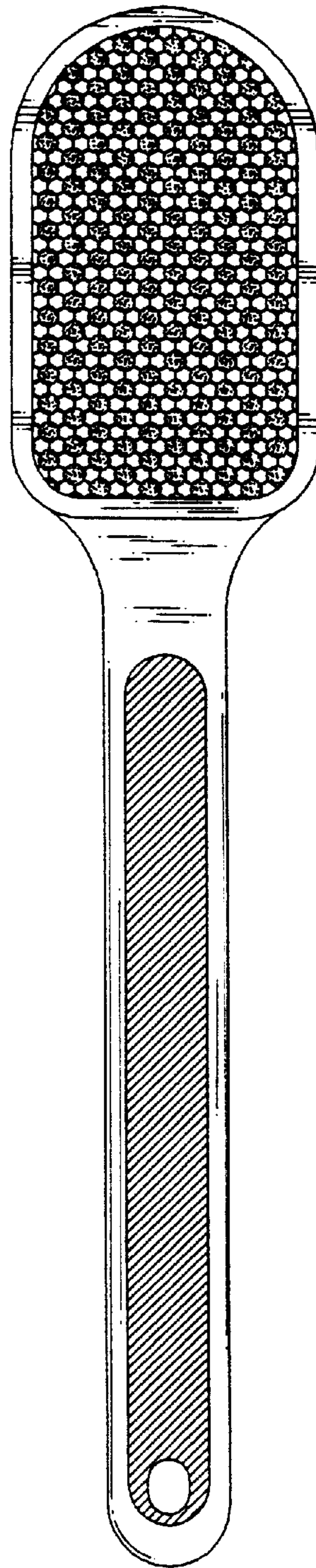


FIG. 4

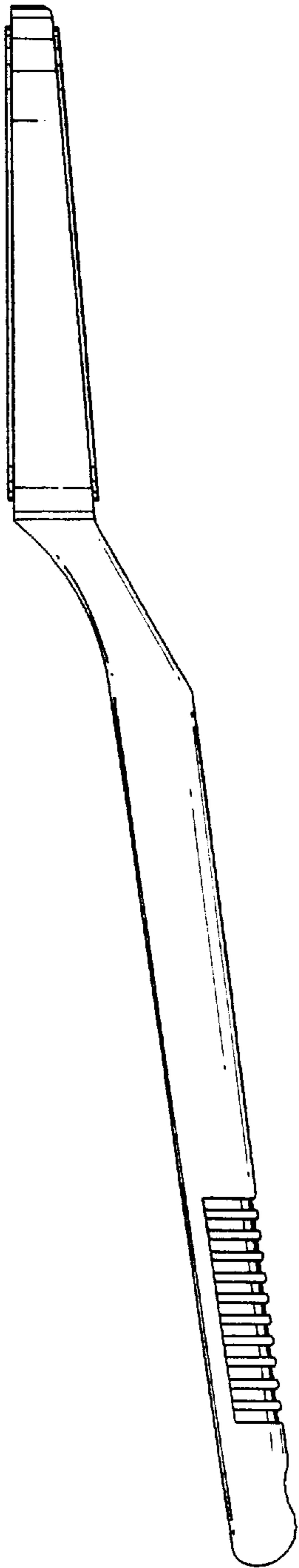


FIG. 5

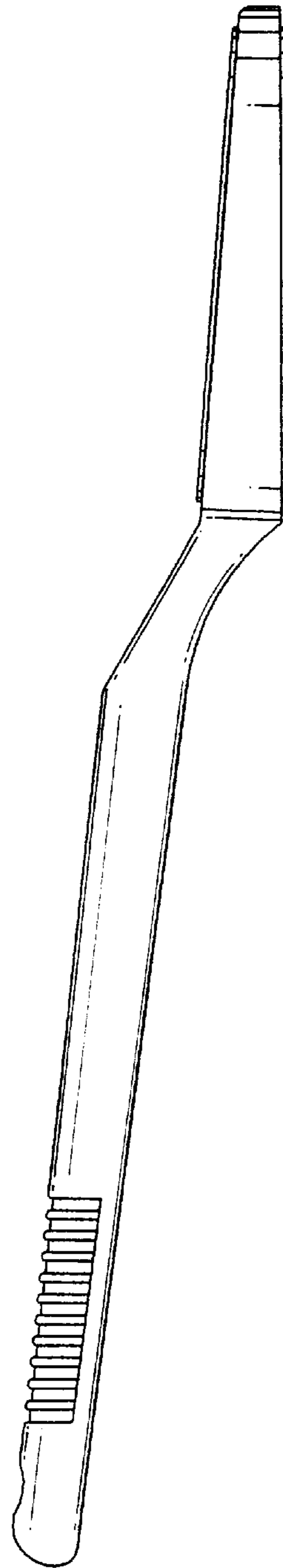


FIG. 6

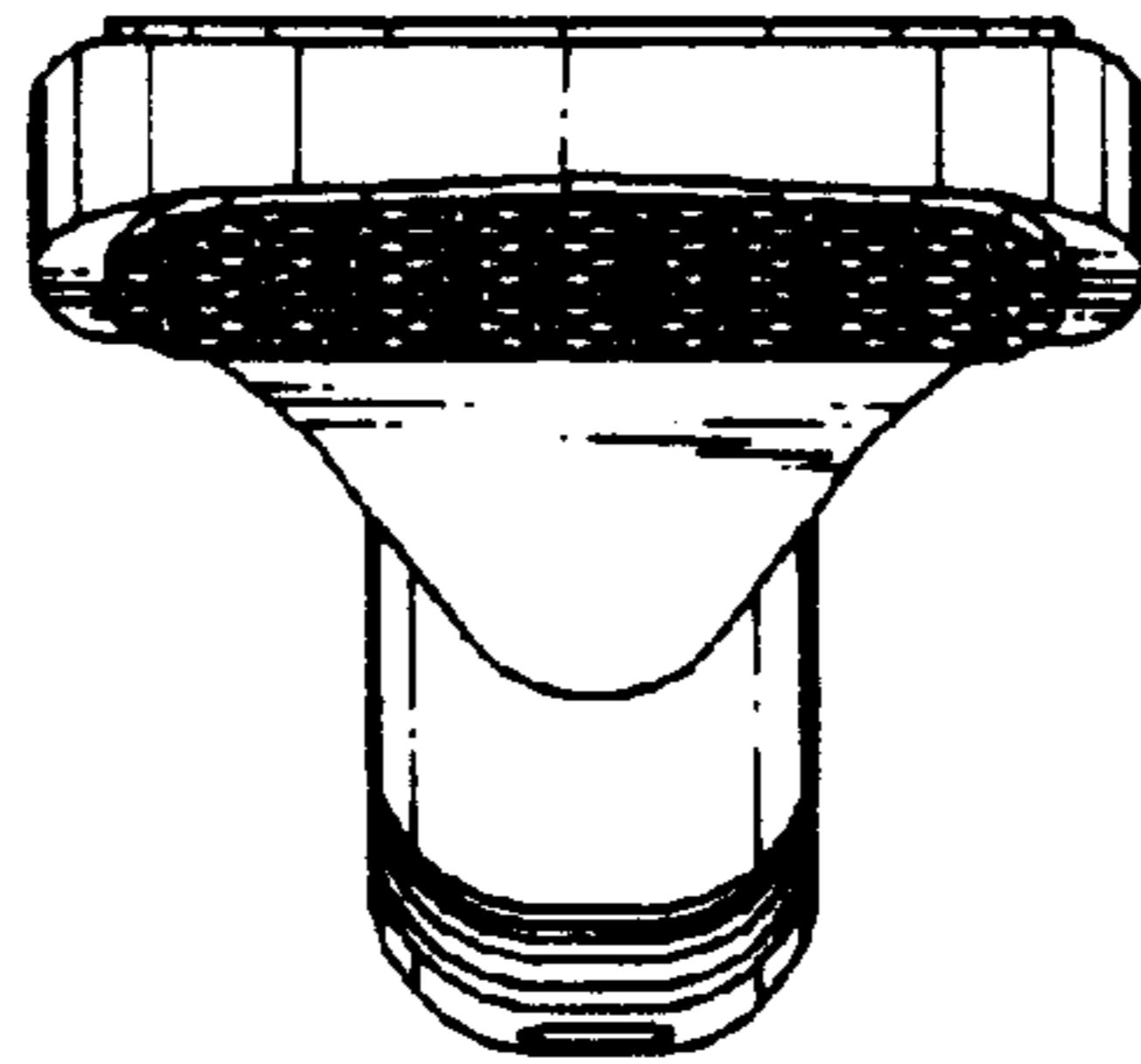


FIG. 7

