



US00D460549S

(12) **United States Design Patent**  
**Sonneman**

(10) **Patent No.:** **US D460,549 S**

(45) **Date of Patent:** **\*\* Jul. 16, 2002**

(54) **COMBINATION CEILING FAN BLADES AND  
BLADE MOUNTING ASSEMBLY**

(75) **Inventor:** **Robert Sonneman**, Mamaronezk, NY  
(US)

(73) **Assignee:** **Sonneman Design Group, Inc.**,  
Mamaronezk, NY (US)

(\*\*) **Term:** **14 Years**

(21) **Appl. No.:** **29/151,480**

(22) **Filed:** **Dec. 4, 2001**

(51) **LOC (7) Cl.** ..... **23-04**

(52) **U.S. Cl.** ..... **D23/411**

(58) **Field of Search** ..... D23/377, 379,  
D23/385, 411, 413; 416/5; D26/59, 71,  
81-86

(56) **References Cited**

**U.S. PATENT DOCUMENTS**

D349,336 S	*	8/1994	Tsuji	.....	D23/377
D425,610 S	*	5/2000	Gee, II	.....	D23/377
D448,840 S	*	10/2001	Gajewski	.....	D23/377
D449,682 S	*	10/2001	Gajewski	.....	D23/411

**OTHER PUBLICATIONS**

U.S. patent application Ser. No. 29/151,481, Robert Sonneman, filed Dec. 4, 2001.

U.S. patent application Ser. No. 29/151,479, Robert Sonneman, filed Dec. 4, 2001.

\* cited by examiner

*Primary Examiner*—Lisa Lichtenstein

(74) *Attorney, Agent, or Firm*—Jenkins & Gilchrist, P.C.

(57) **CLAIM**

The ornamental design for a combination ceiling fan blades and blade mounting assembly, as shown and described.

**DESCRIPTION**

FIG. 1 is a top view of the combination ceiling fan blades and blade mounting assembly in accordance with my design; FIG. 2 is a front elevation view of the combination ceiling fan blades and blade mounting assembly in accordance with my design;

FIG. 3 is a bottom view of the combination ceiling fan blades and blade mounting assembly in accordance with my design; and,

FIG. 4 is a side elevation view of the combination ceiling fan blades and blade mounting assembly in accordance with my design.

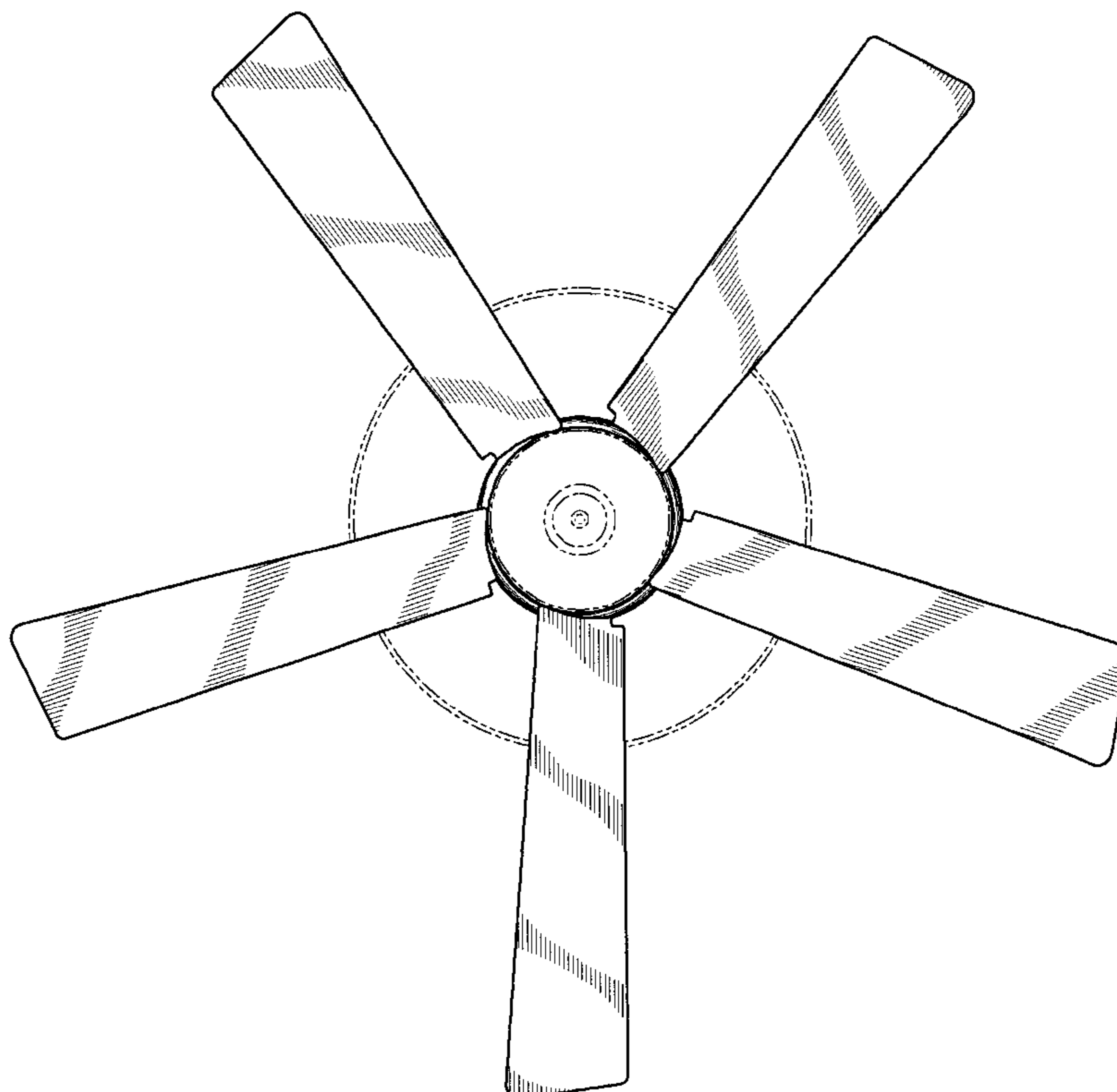
The front and rear elevational views are substantially identical except for the positioning of the blades.

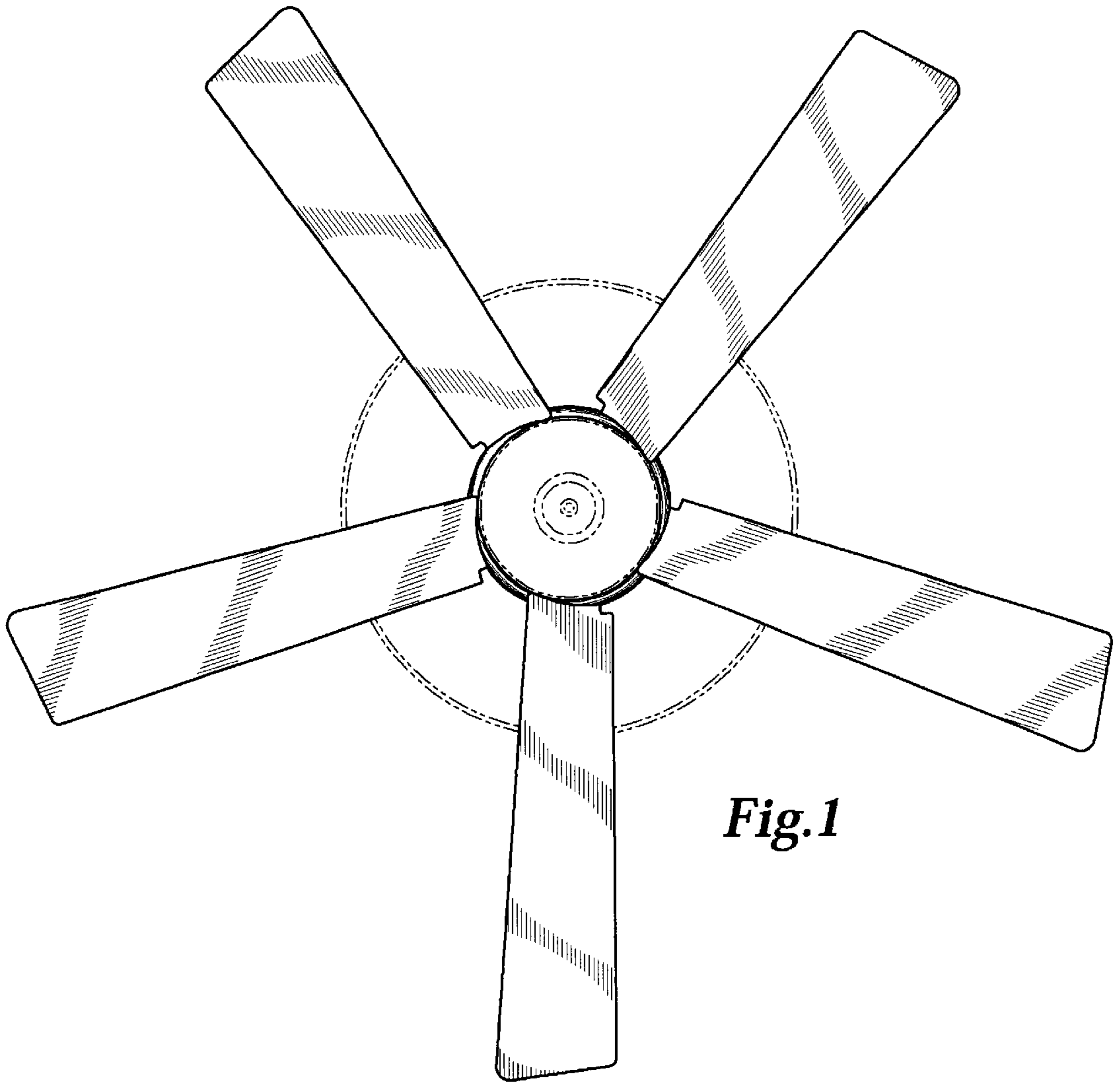
The left and right side elevational views are substantially identical except for the positioning of the blades.

The broken lines showing environmental structures are for illustrative purposes only and form no part of the claimed design.

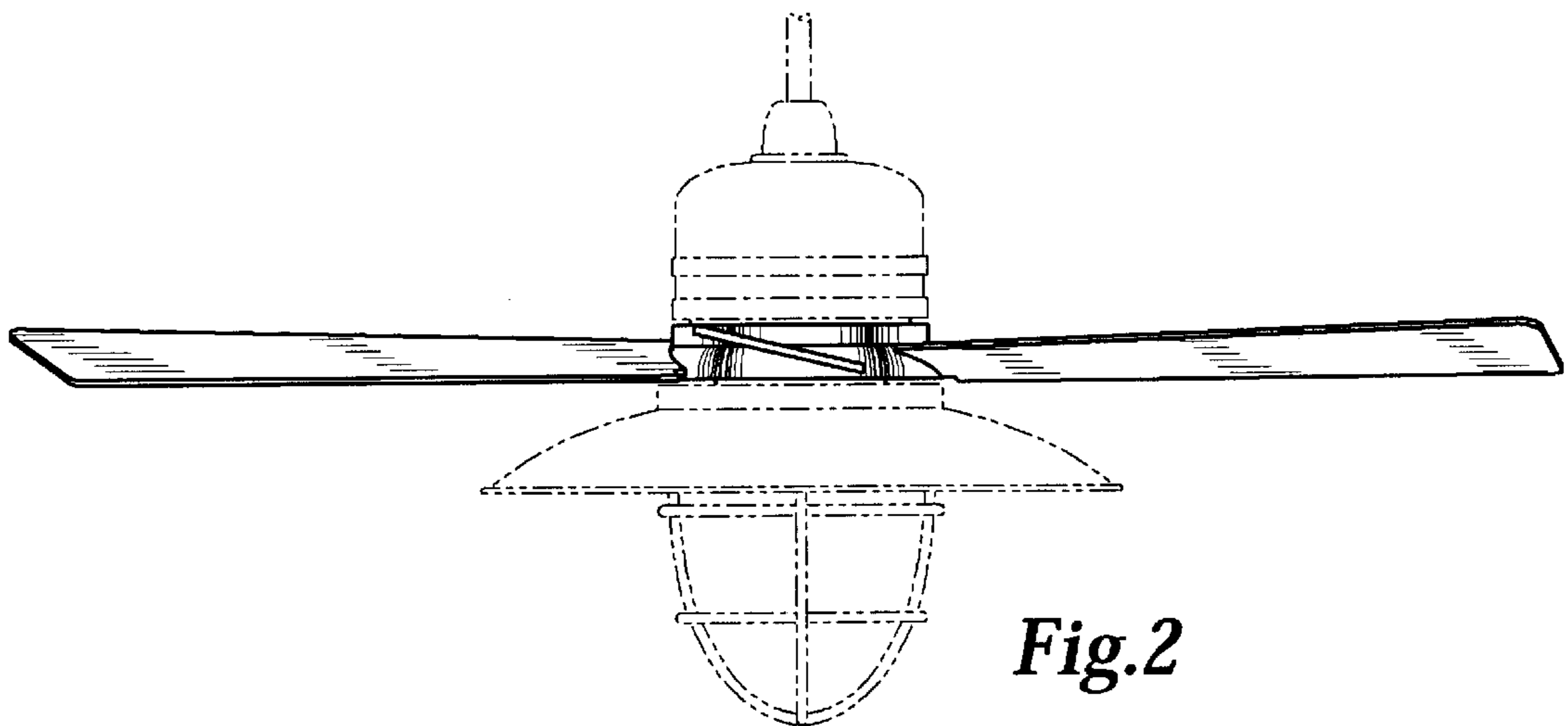
The support rod has been shown broken away to indicate indeterminate length.

**1 Claim, 2 Drawing Sheets**





*Fig.1*



*Fig.2*

